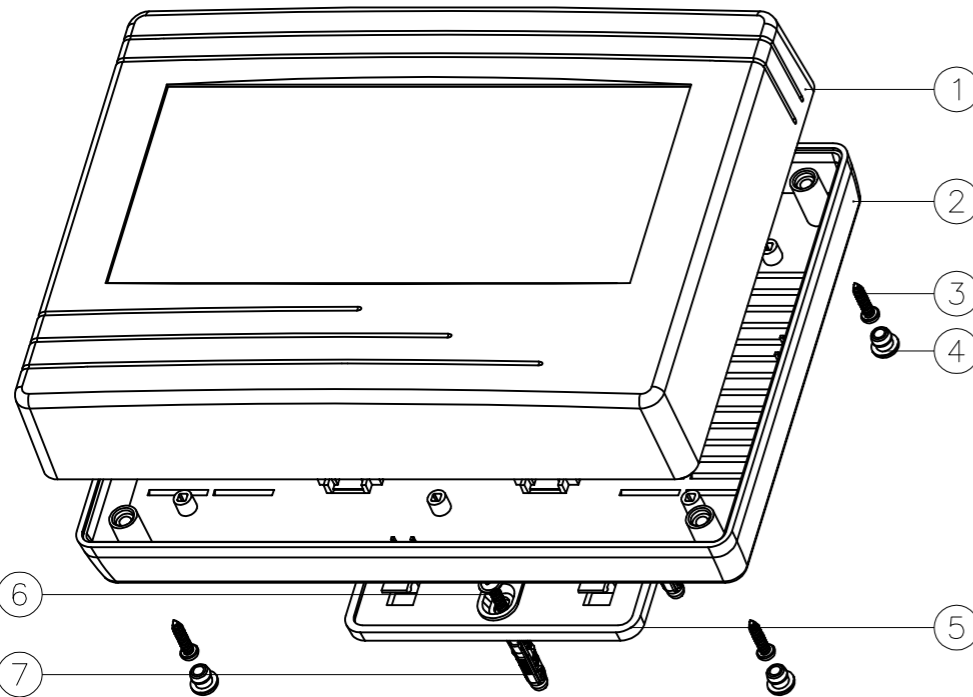


SECTION A-A



7	Wall nail	PP	4	S-5	
6	screws	STD	4	PWA3X25	
5	Wall hanging	ABS	1	50002-E1	
4	foot pad	TPE	4	BP-8	
3	screws	STD	4	PA3X12	
2	bottom cover	ABS	1	50002-B1	
1	Uppre cover	ABS	1	50004-A1	
Drawing	Auditing	Confirm	Product Name	Wall-mounting Enclosure	Project View
			Product Type	BMW 50004	Drawing Scale
					1:1 (MM)