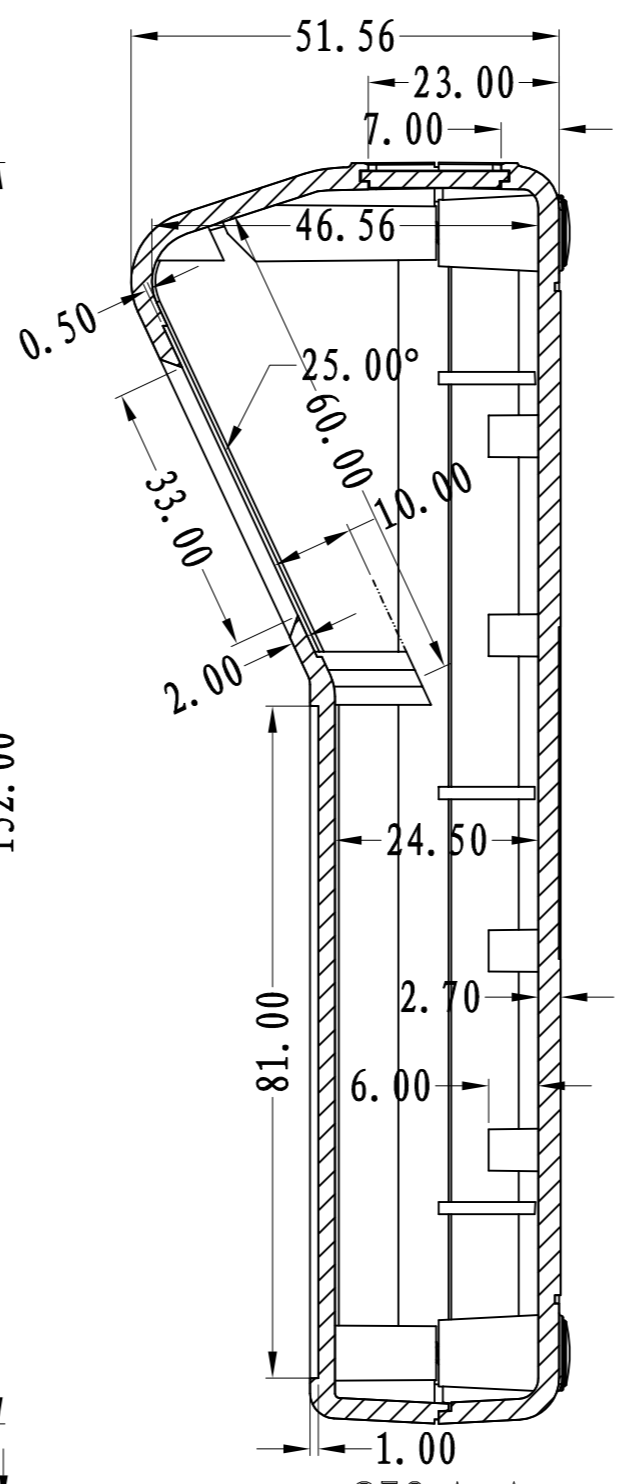
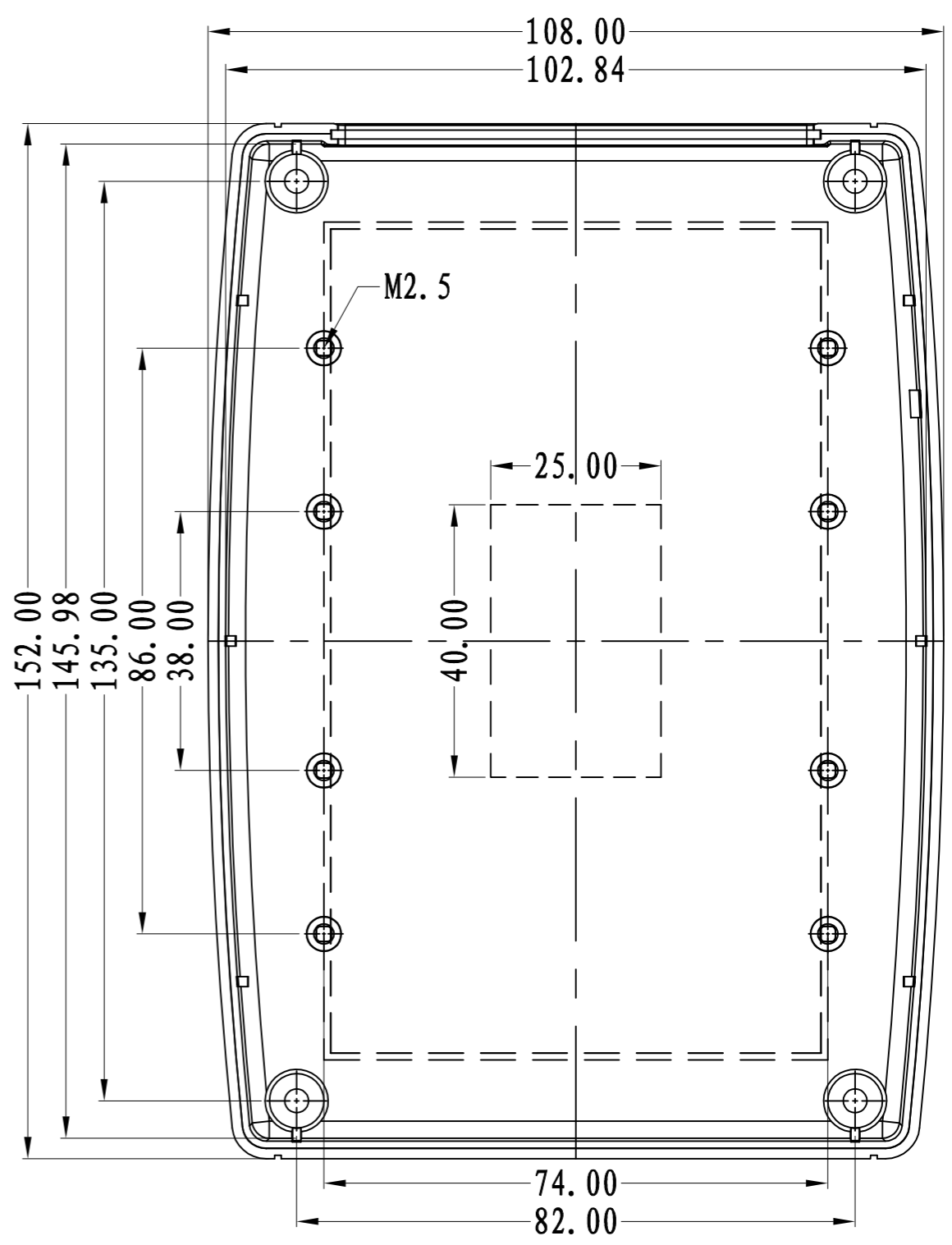
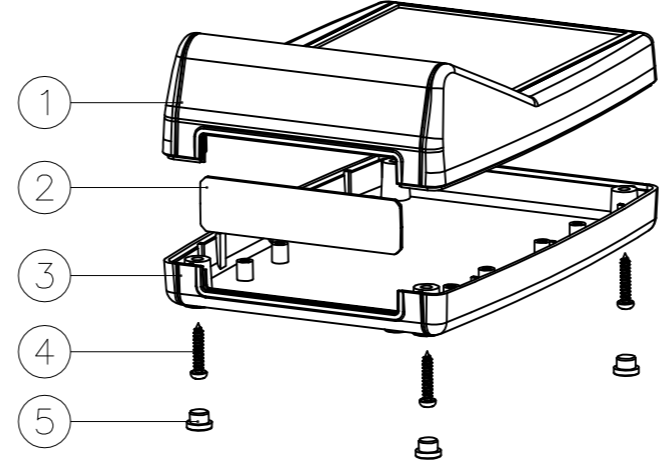


VIEW B



SEC A-A



5	foot pad	TPE	4	BP-9
4	screws	STD	4	PA3X16
3	bottom cover	ABS	1	30009-B1
2	panel	ABS	1	30009-C1
1	Upper cover	ABS	1	30011-A1

Drawing	Auditing	Confirm	Product Name	Desk-top Enclosure	Project View		A
			Product Type	BDC 30011	Drawing Scale	1:1 (MM)	