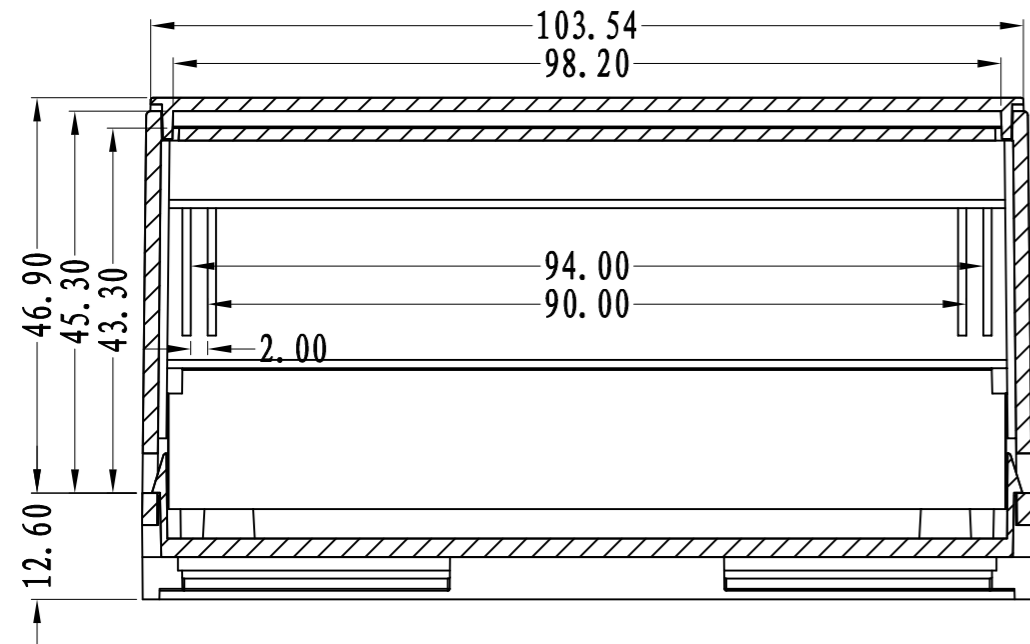
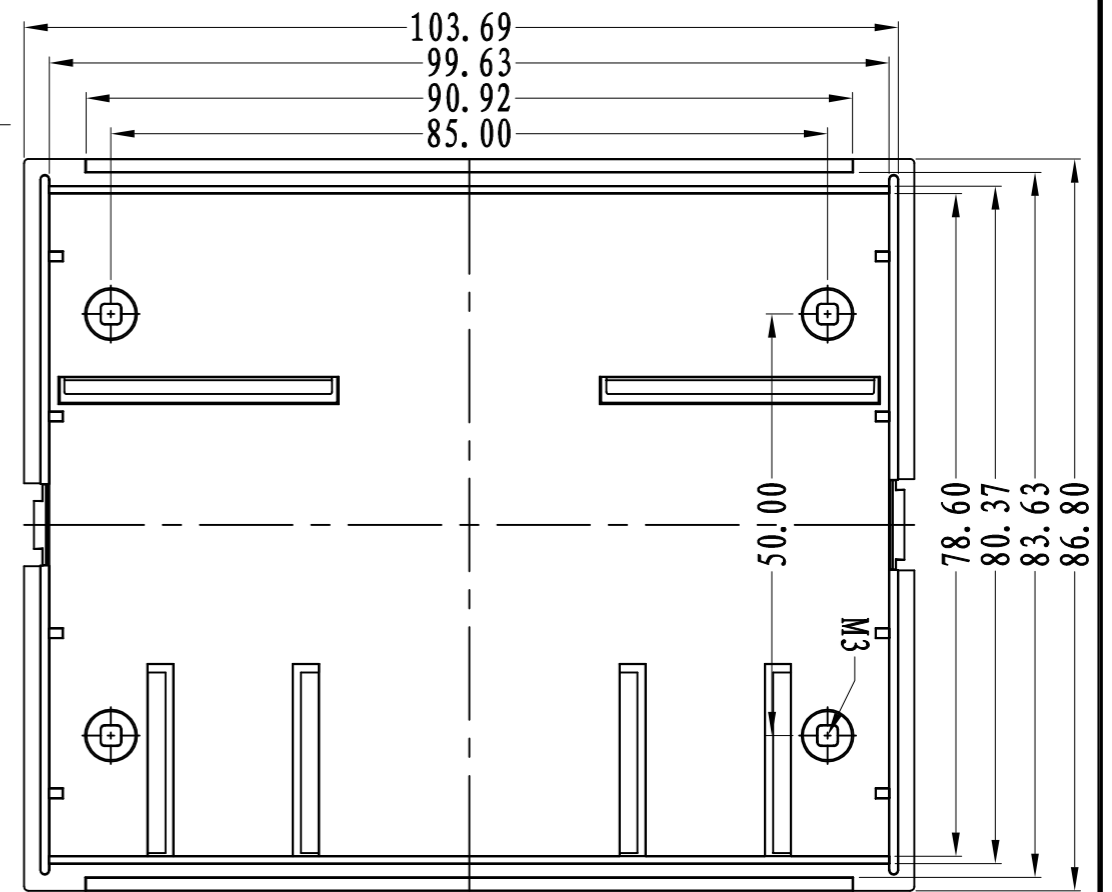
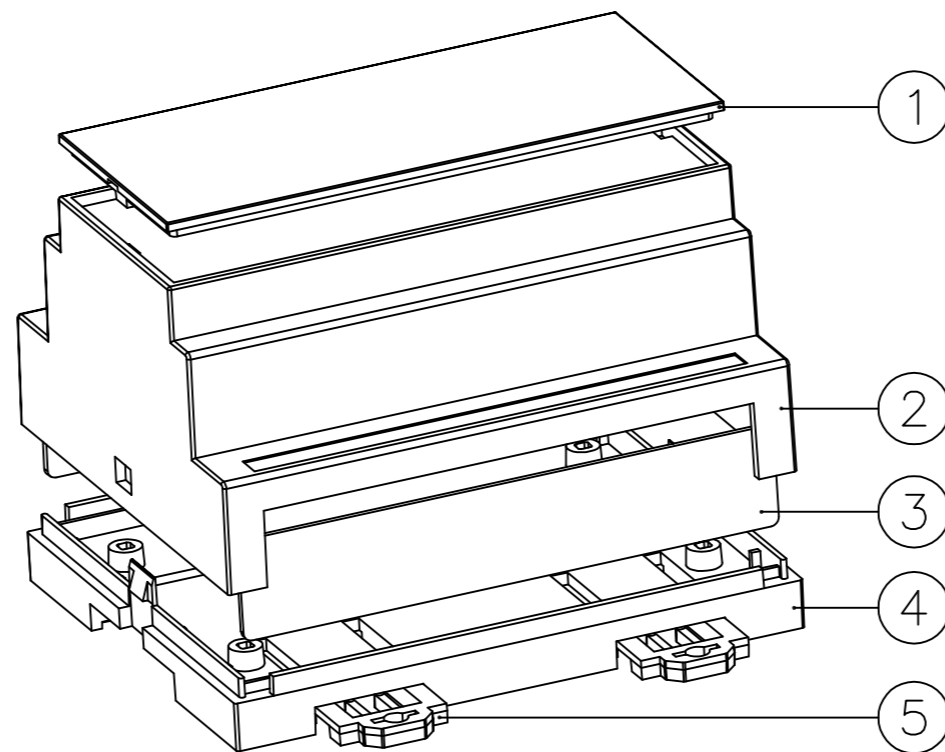


SEC A-A



SEC B-B



5	Clasp	POM	2	80002-E1
4	bottom cover	Fireproof ABS	1	80004-B1
3	panel	Fireproof ABS	2	80004-D1
2	Uppre cover	Fireproof ABS	1	80004-A1
1	lens	PC	1	80004-C1

Drawing	Auditing	Confirm	Product Name	Industrial control Enclosure	Project View		A
			Product Type	BRT 80004-A1	Drawing Scale	1:1 (MM)	



BAHAR ENCLOSURE GmbH