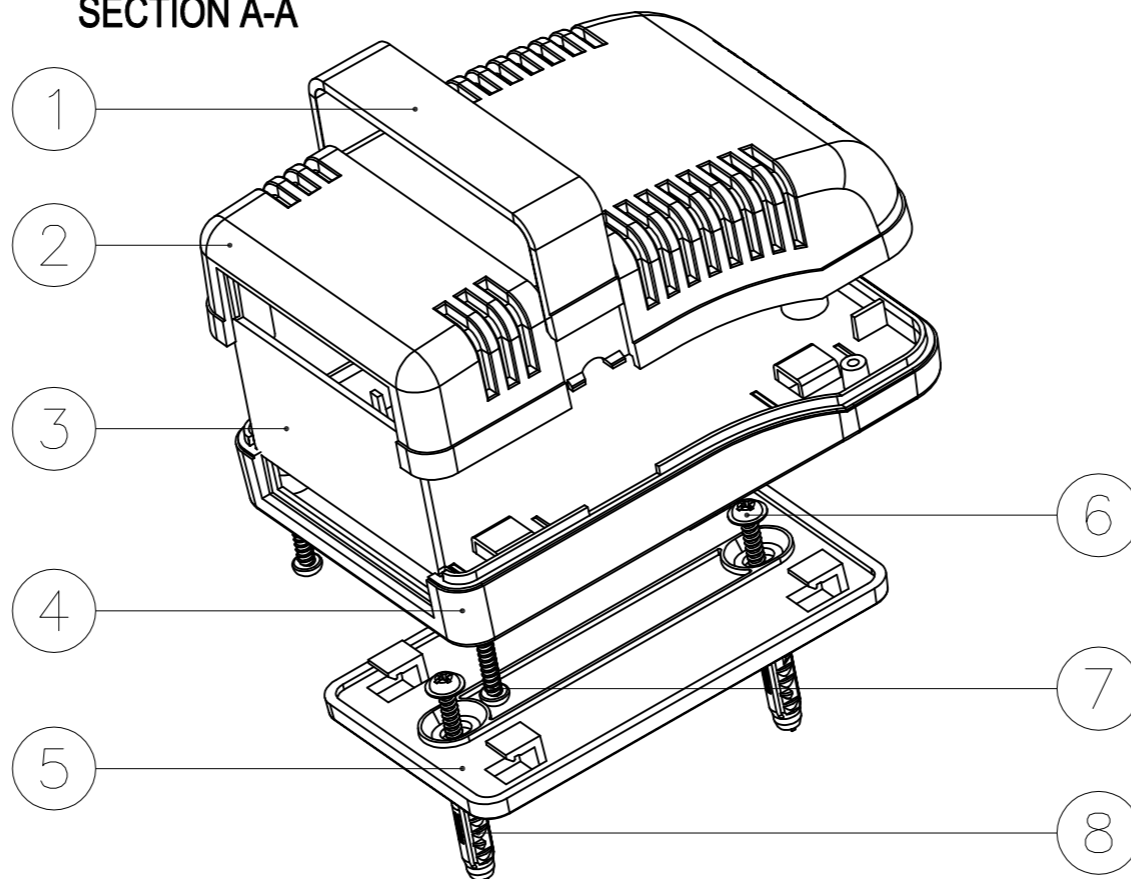


SECTION A-A



8	Wall nail	PP	2	S-5	
7	screws	STD	3	PA3X14	
6	screws	STD	2	PWA3X25	
5	Wall hanging	ABS	1	50001-E1	
4	bottom cover	ABS	1	50001-B1	
3	panel	ABS	1	50001-C1	
2	Upper cover	ABS	1	50001-A1	
1	lens	PMMA	1	50001-D1	
Drawing	Auditing	Confirm	Product Name	Wall-mounting Enclosure	Project View
			Product Type	BMW 50001	Drawing Scale
					1:1 (MM)