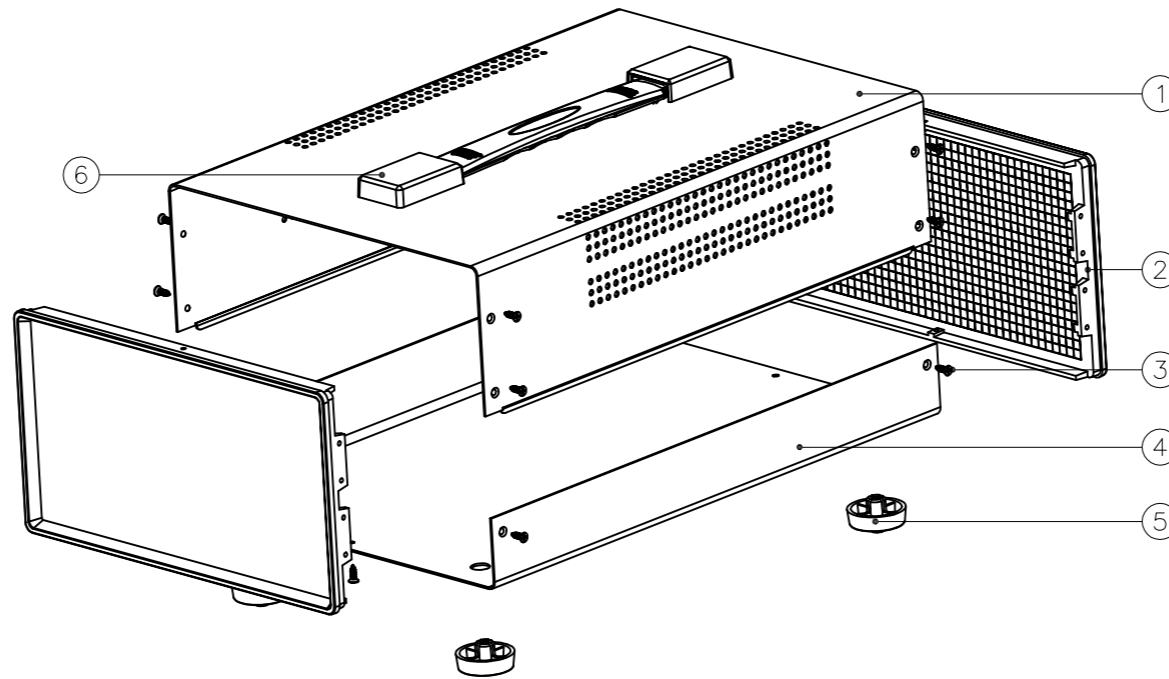


SEC A-A



6	Handle	STD	1	BTS-0001(L220)	
5	foot pad	TPE	4	BP-30	
4	bottom cover	Electrolytic sheet	1	40008-W325-C1	1.0MM
3	screws	STD	14	KA3X10	
2	panel	ABS	2	40008-A1	
1	Uppre cover	Electrolytic sheet	1	40008-W325+BTS-B1	1.0MM
Drawing	Auditing	Confirm	Product Name	Metal Enclosure	Project View
			Product Type	BDA 40008 (W325)+BTS	Drawing Scale
					1:1 (MM)



**BAHAR ENCLOSURE GmbH**