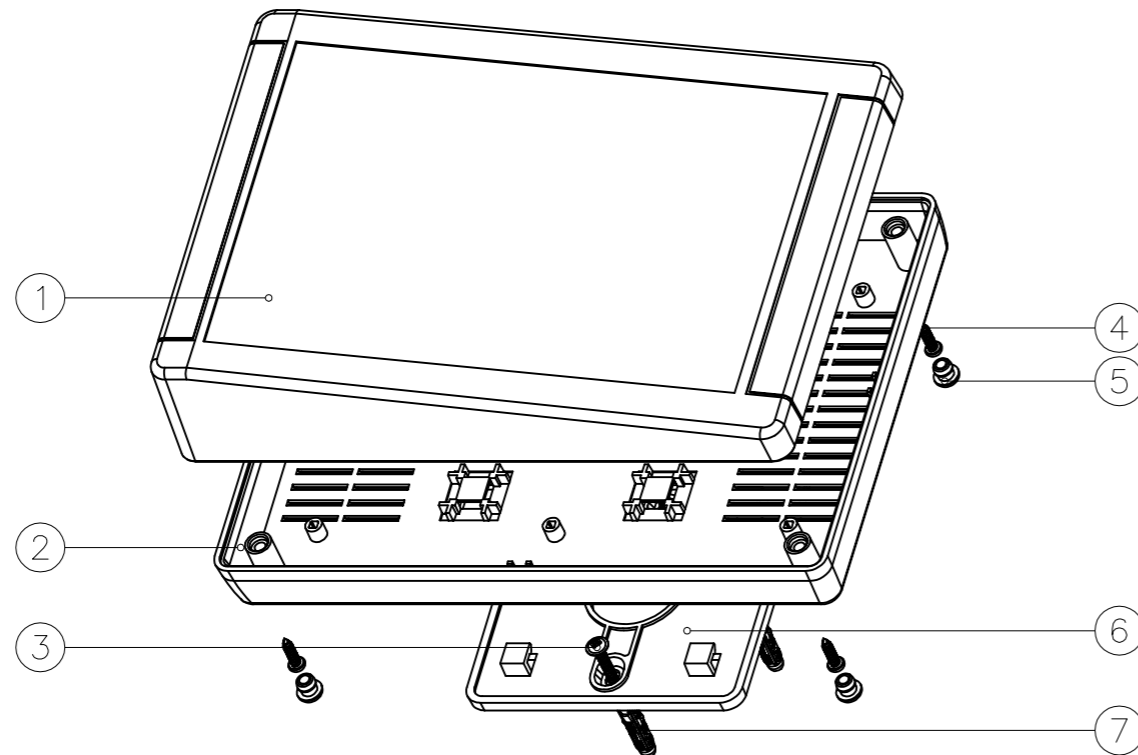


SECTION A-A



7	Wall nail	PP	4	S-5	
6	Wall hanging	ABS	1	50002-E1	
5	foot pad	TPE	4	BP-8	
4	screws	STD	4	PA3X12	
3	screws	STD	4	PWA3X25	
2	bottom cover	ABS	1	50002-B1	
1	Uppre cover	ABS	1	30003-A1	

Drawing	Auditing	Confirm	Product Name	Wall-mounting Enclosure	Project View		A
			Product Type	BMW 50003	Drawing Scale	1:1 (MM)	



BAHAR ENCLOSURE GmbH