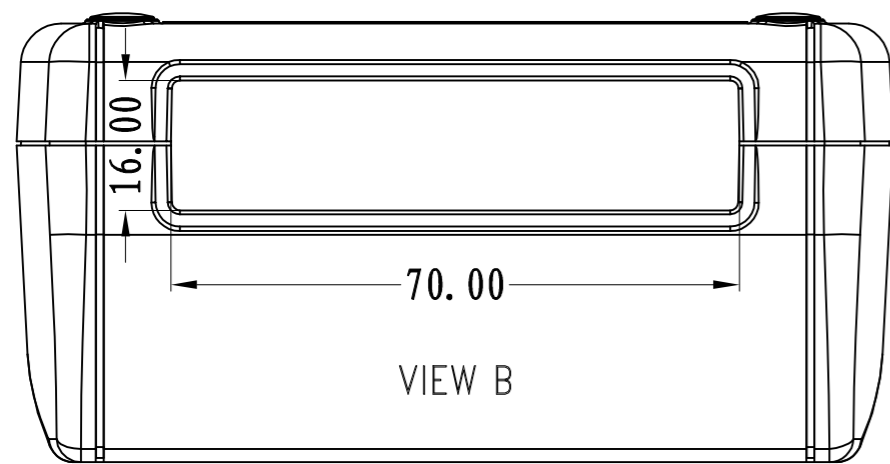
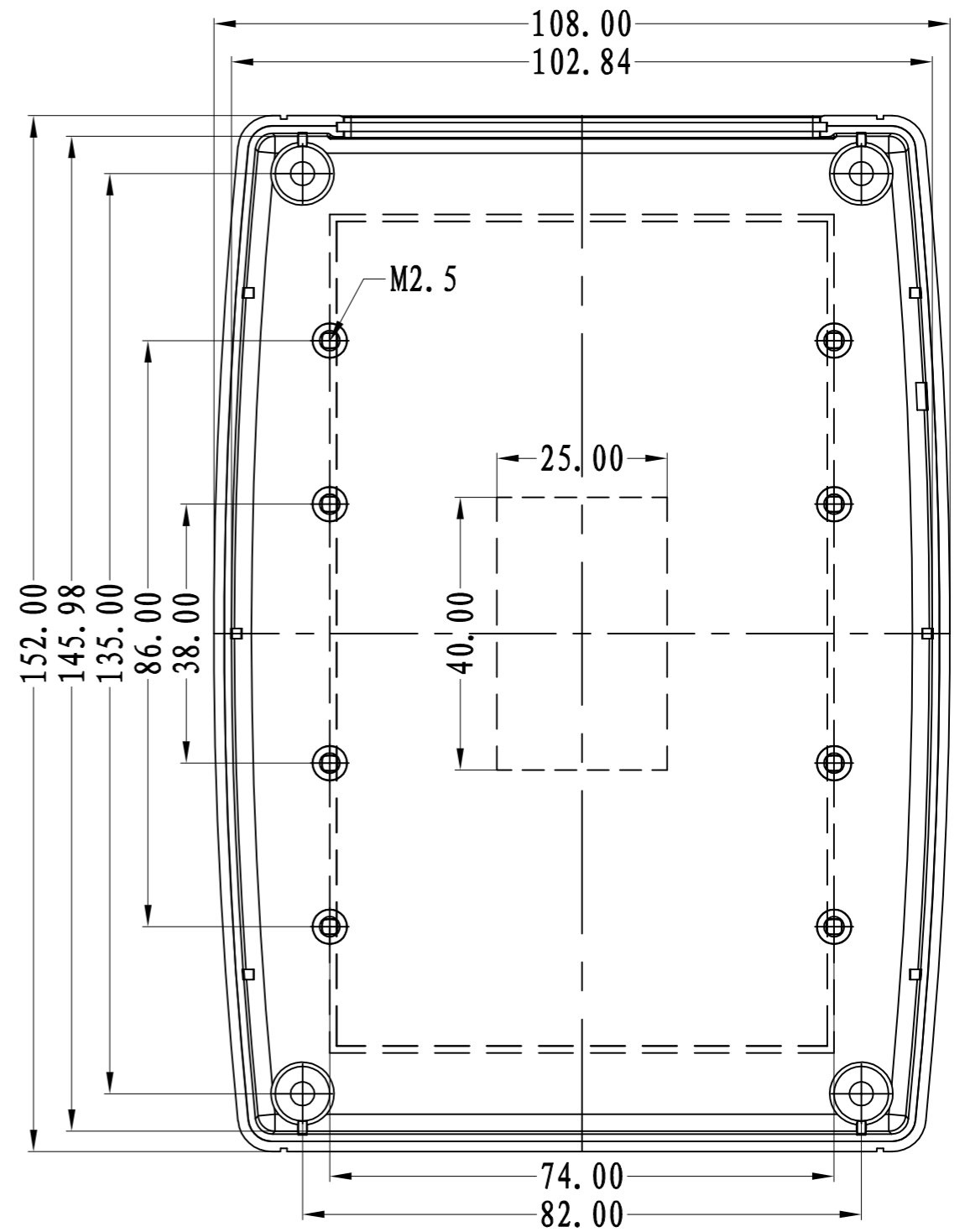
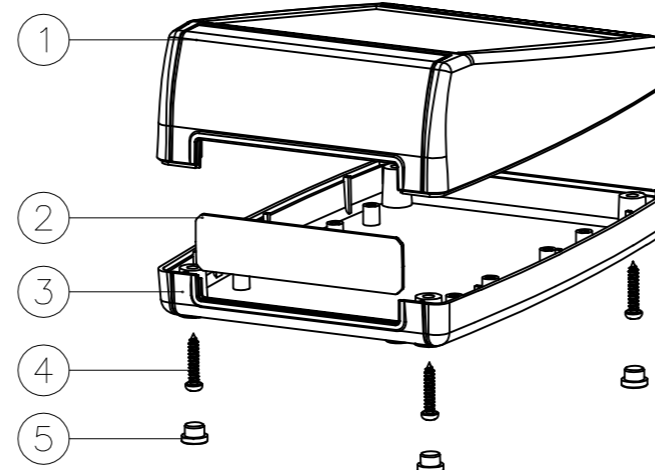


SEC A-A



VIEW B



5	foot pad	TPE	4	BP-9			
4	screws	STD	4	PA3X16			
3	bottom cover	ABS	1	30009-B1			
2	panel	ABS	1	30009-C1			
1	Uppre cover	ABS	1	30009-A1			
Drawing	Auditing	Confirm	Product Name	Desk-top Enclosure	Project View		A
			Product Type	BDC 30009	Drawing Scale	1:1 (MM)	



BAHAR ENCLOSURE GmbH