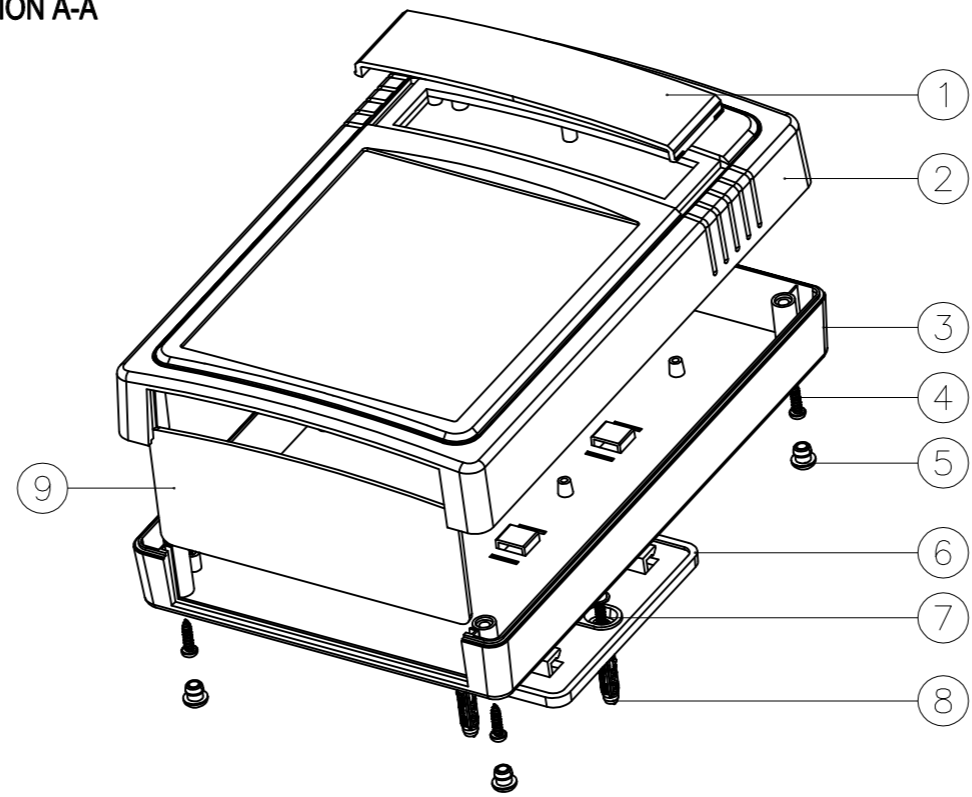
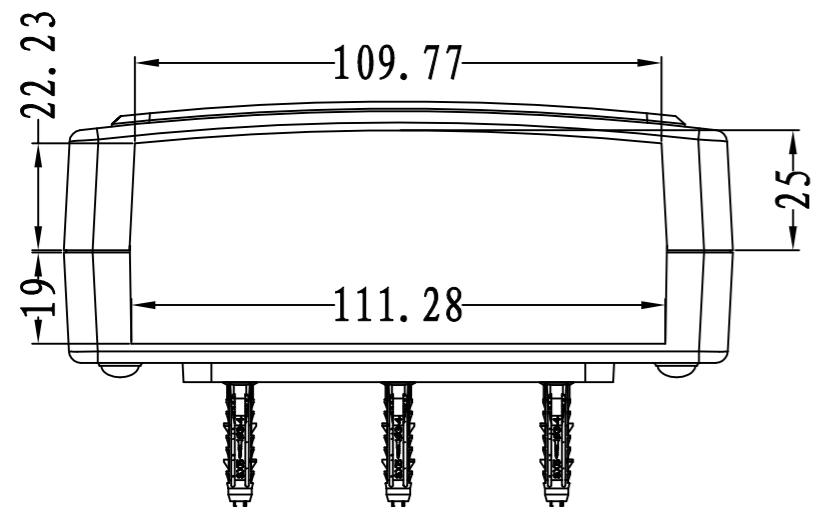
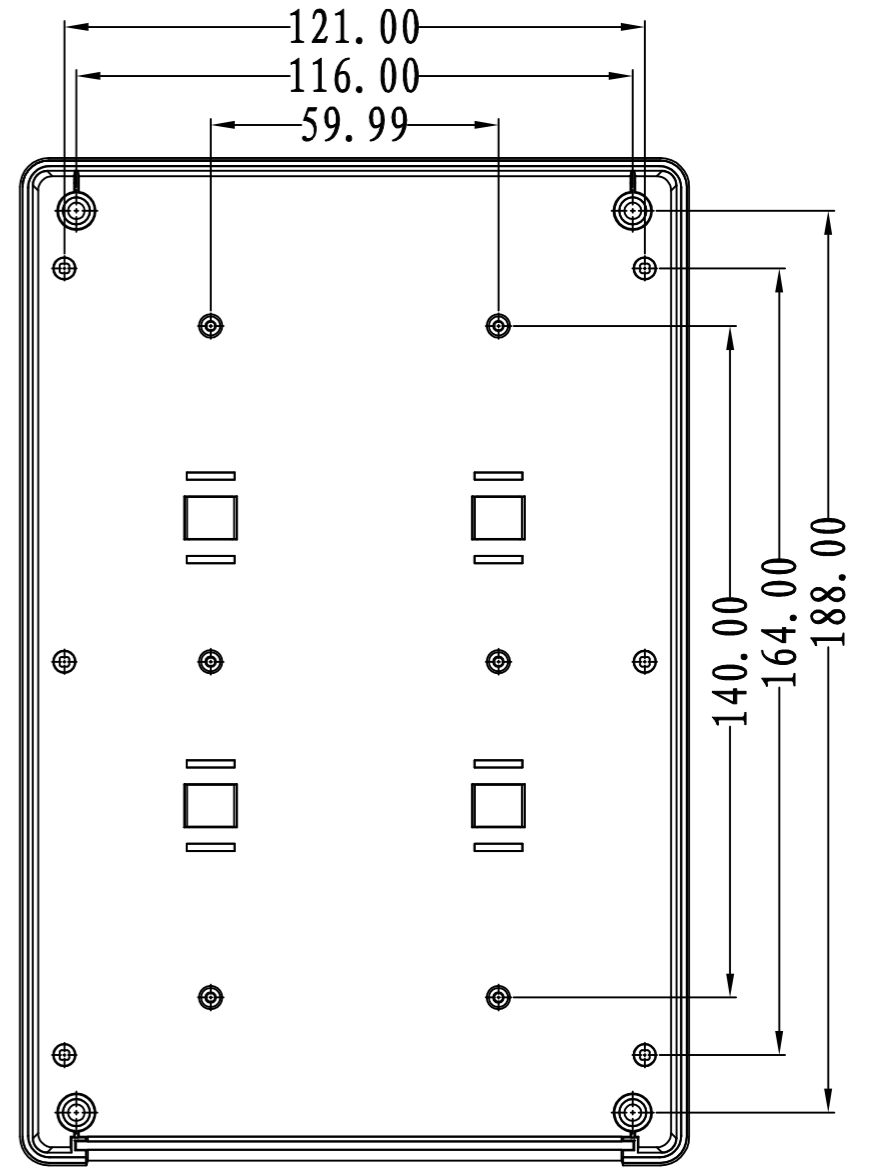
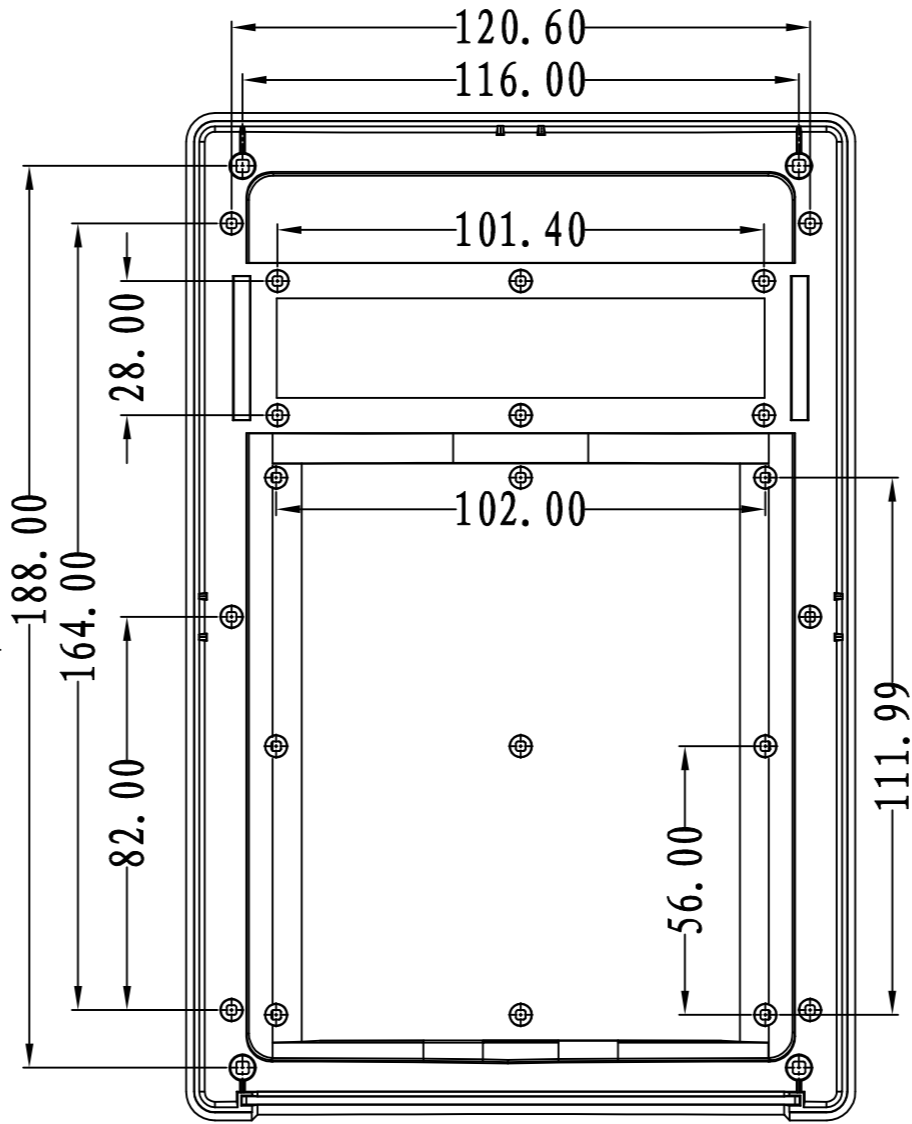


SECTION A-A



9	panel	ABS	1	50005-C1		
8	Wall nail	PP	4	S-5		
7	screws	STD	4	PWA3X25		
6	Wall hanging	ABS	1	50002-E1		
5	foot pad	TPE	4	BP-8		
4	screws	STD	4	PA3X14		
3	bottom cover	ABS	1	50005-B1		
2	Uppre cover	ABS	1	50005-A1		
1	lens	PC	1	50005-D1		
Drawing	Auditing	Confirm	Product Name	Wall-mounting Enclosure	Project View	A
			Product Type	BMW 50005	Drawing Scale	1:1 (MM)