



EstesRockets.com

COSMIC CARGO™

1752

AGES
10+



Skill Level

BEGINNER

MODEL ROCKET INSTRUCTIONS

KEEP FOR FUTURE REFERENCE

IMPORTANT: Please record date found on box and keep for future reference.

READ ALL INSTRUCTIONS. Make sure you have all parts and supplies.

SUPPLIES

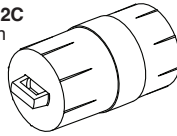


CLEAR TAPE

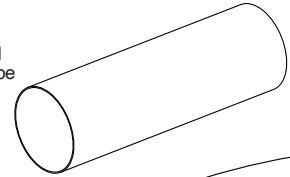
038364
Shock cord



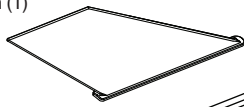
068235-312C
Coupler pin



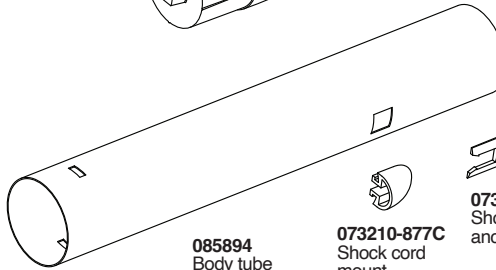
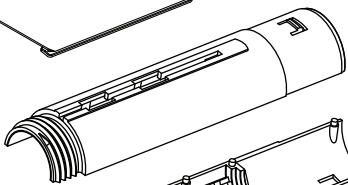
031305
Payload
body tube



072700-312C
Fin (1)



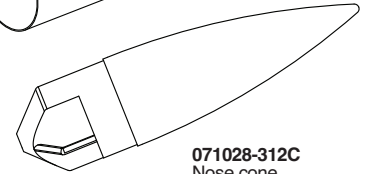
073212-877C
Single fin slot
engine mount



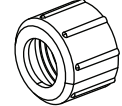
085894
Body tube

073210-877C
Shock cord
mount

073209-877C
Shock cord
anchor

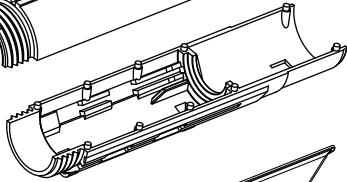


071028-312C
Nose cone

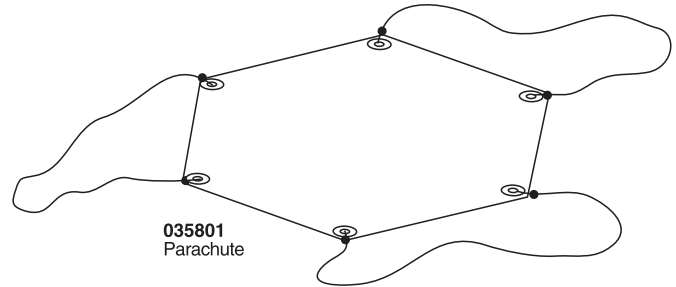
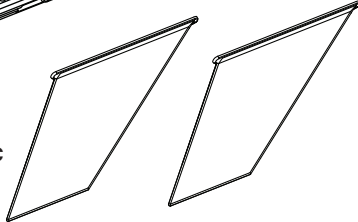


072697-877C
Engine retainer cap

073211-877C
Double fin slot
engine mount



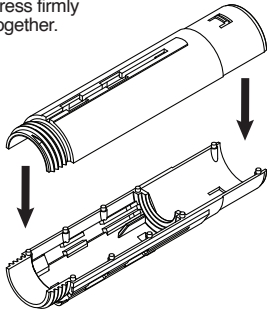
072700-877C
Fins (2)



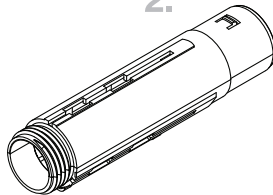
035801
Parachute

ASSEMBLE ENGINE MOUNT FIN CAN UNIT

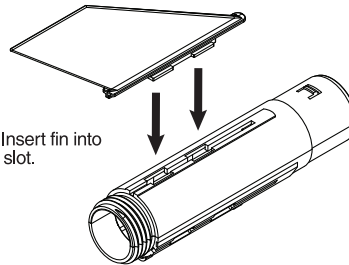
1. Press firmly together.



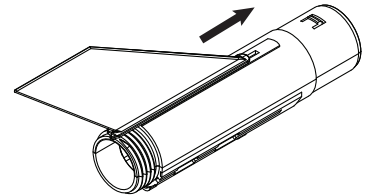
2.



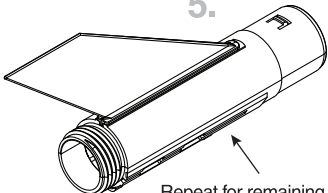
3. Insert fin into slot.



4. Slide fin forward to lock into place.

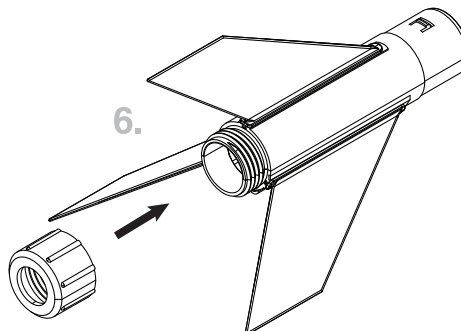


5.

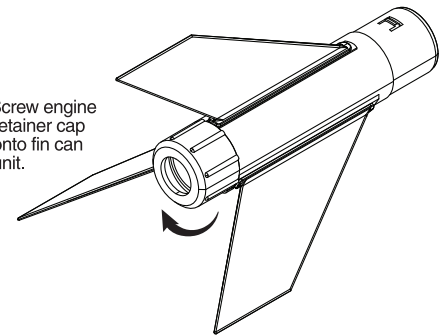


Repeat for remaining fins.

6.

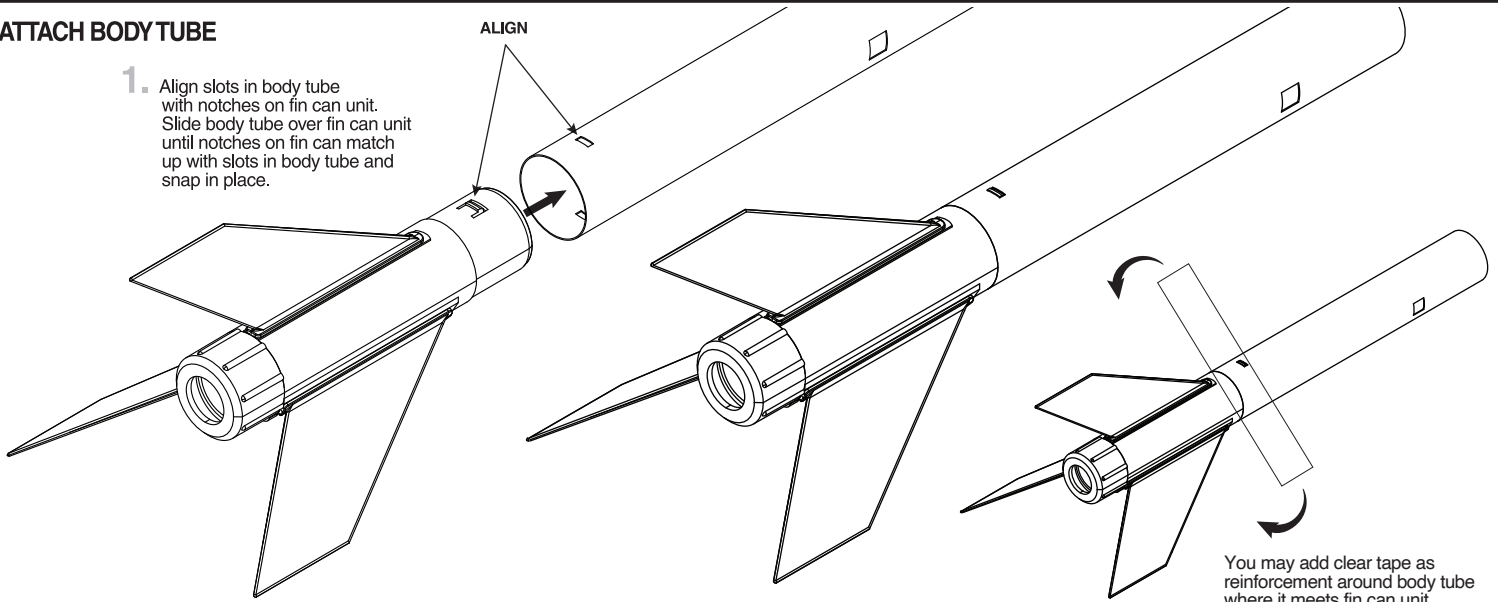


7. Screw engine retainer cap onto fin can unit.



ATTACH BODY TUBE

1. Align slots in body tube with notches on fin can unit. Slide body tube over fin can unit until notches on fin can match up with slots in body tube and snap in place.

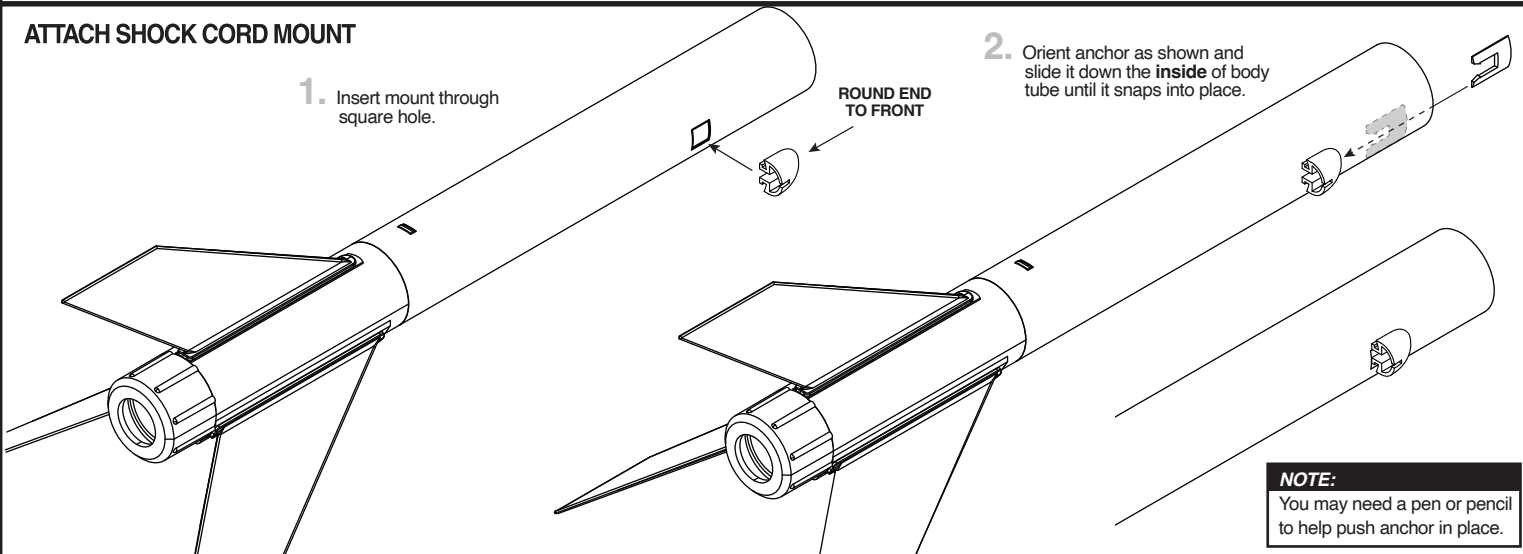


ATTACH SHOCK CORD MOUNT

1. Insert mount through square hole.

ROUND END TO FRONT

2. Orient anchor as shown and slide it down the **inside** of body tube until it snaps into place.



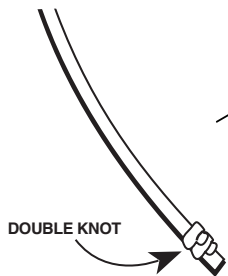
INSTALL SHOCK CORD

1. Tie double knot in end of shock cord.

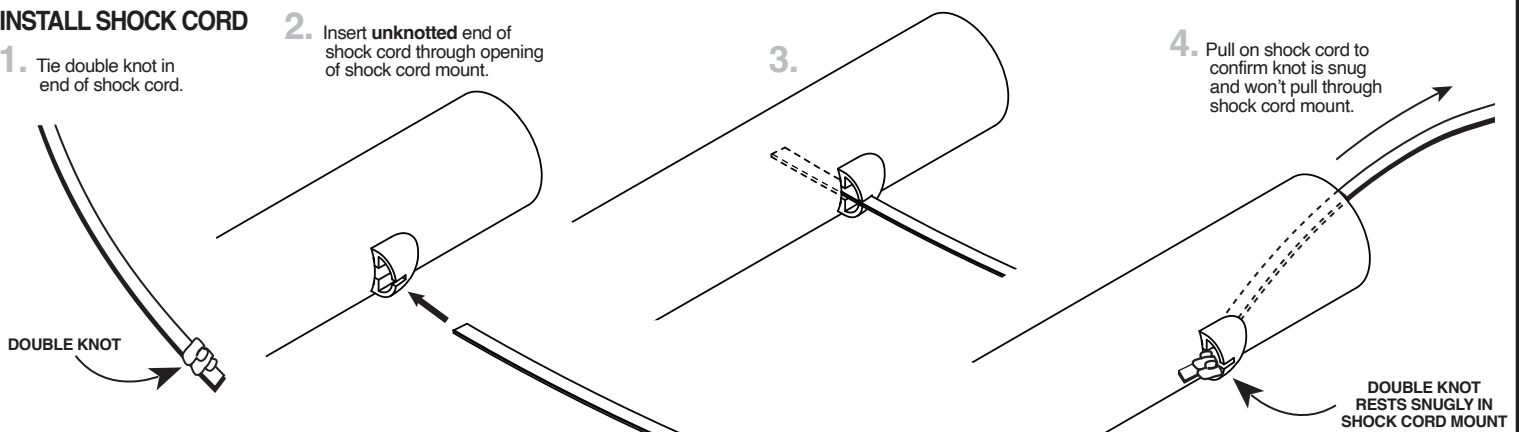
2. Insert **unknotted** end of shock cord through opening of shock cord mount.

3.

4. Pull on shock cord to confirm knot is snug and won't pull through shock cord mount.



DOUBLE KNOT



DOUBLE KNOT RESTS SNUGLY IN SHOCK CORD MOUNT

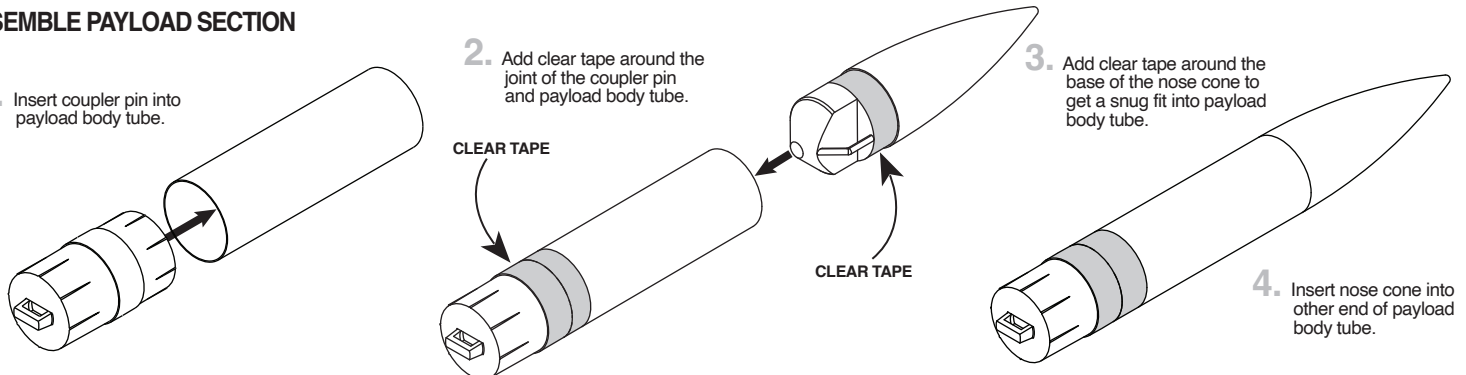
ASSEMBLE PAYLOAD SECTION

1. Insert coupler pin into payload body tube.

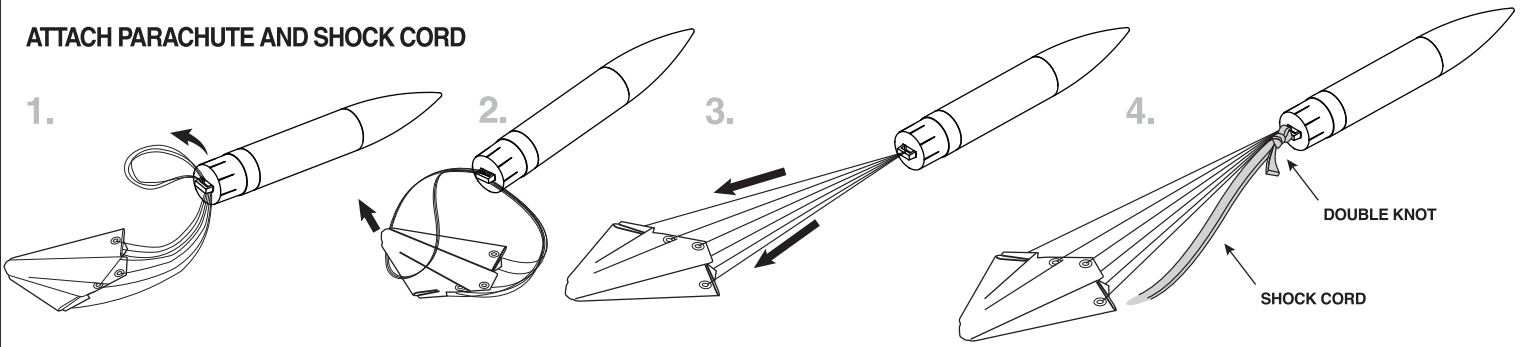
2. Add clear tape around the joint of the coupler pin and payload body tube.

3. Add clear tape around the base of the nose cone to get a snug fit into payload body tube.

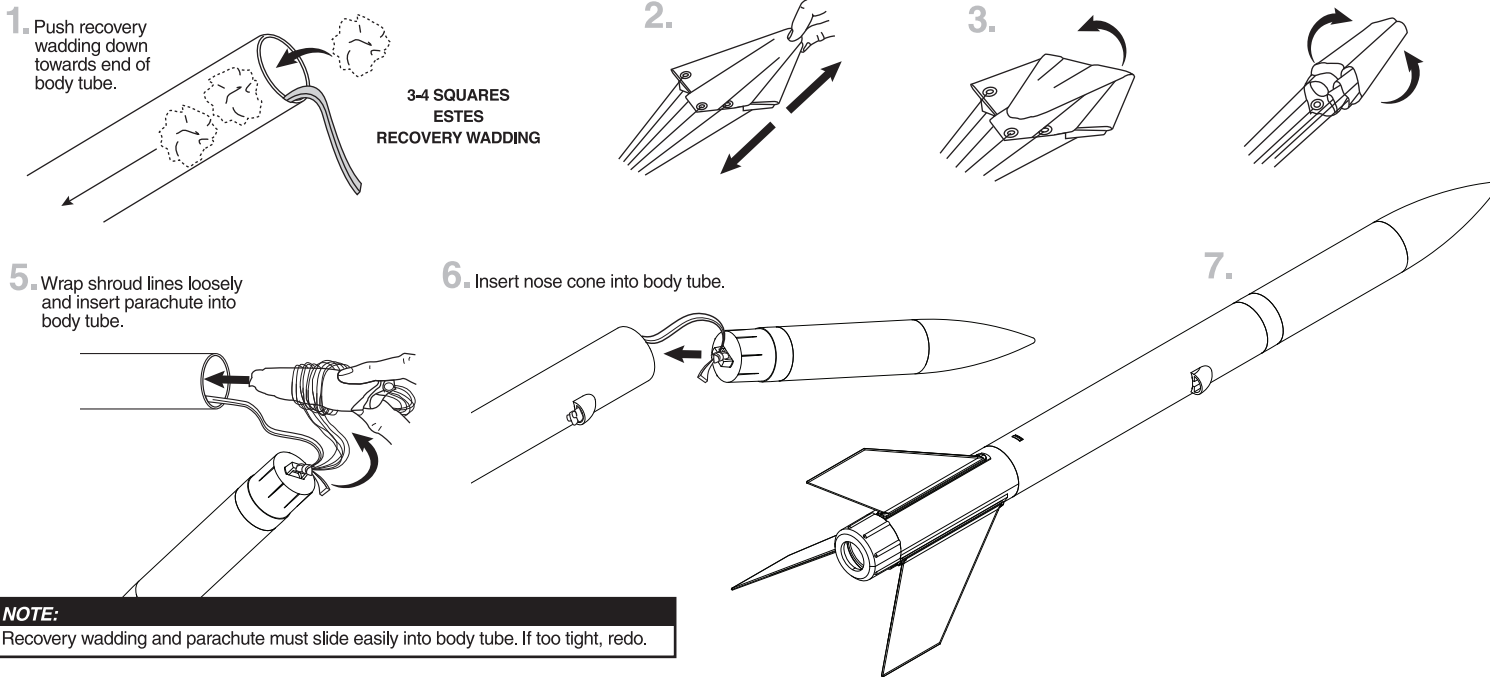
4. Insert nose cone into other end of payload body tube.



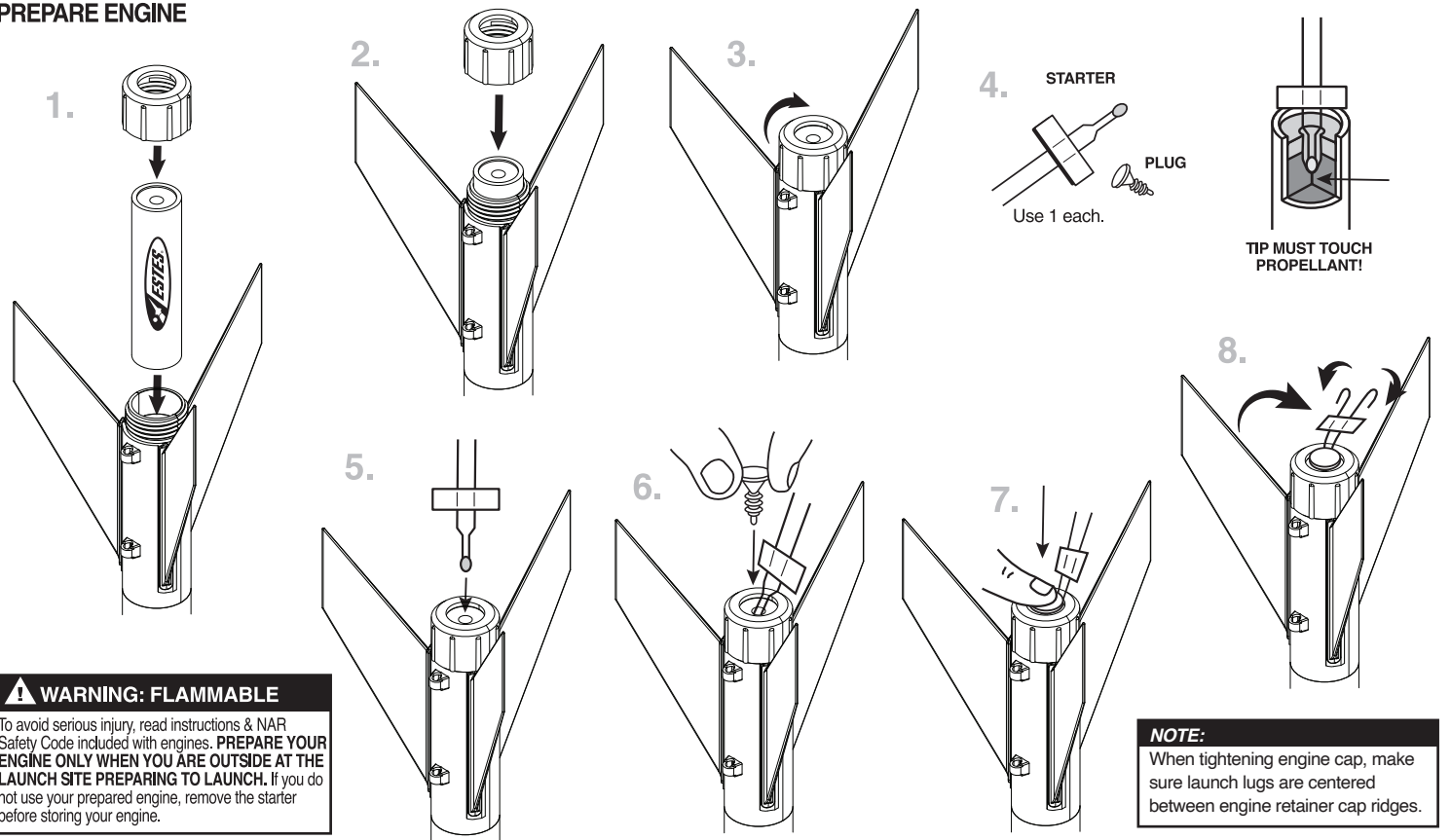
ATTACH PARACHUTE AND SHOCK CORD



PREPARE FLIGHT RECOVERY



PREPARE ENGINE



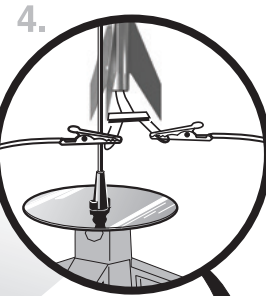
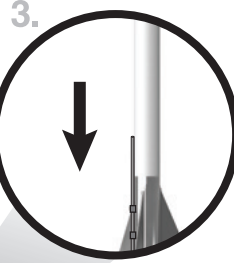
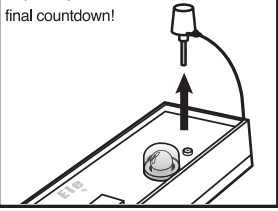
COUNTDOWN AND LAUNCH

ESTES® LAUNCH SUPPLIES NEEDED (Sold Separately)

- Porta-Pad® II Launch Pad
- Electron Beam® Launch Controller
- Recovery Wadding
- Starters (with engines)
- Plugs (with engines)
- Estes® Engines: A8-3 (first flight), A8-5, B4-4, B6-6, C6-5, C6-7

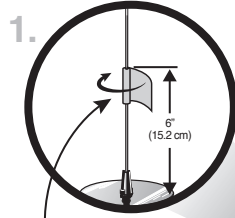
NOTE:

Key always out until final countdown!

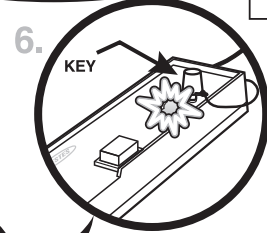
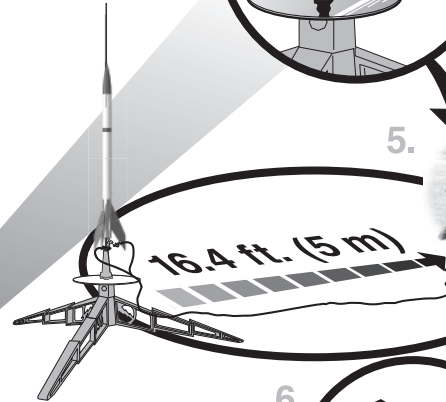


NOTE:

Fully extend your launch controller wire before launching.



MASKING TAPE

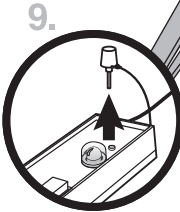
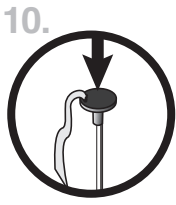


Insert key, push down hard. Bulb will light.



NOTE:

While holding key down FIRMLY, press launch button until LIFTOFF!



NOTE:

Estimated weight: 1.6 oz. (45.4 g)

PRECAUTIONS



NAR SAFETY CODE



NO DRY GRASS OR WEEDS

PRE-LAUNCH CHECK For safety, never launch a damaged rocket. Check the rocket's body, nose cone and fins. Also, check the engine mount, recovery system and launch lug(s). Repair any damage before launching the rocket.

FLYING YOUR ROCKET Choose a large field (500 ft. [152 m] square) free of dry weeds and brown grass. The larger the launch area, the better your chance of recovering your rocket. Football fields and playgrounds are great. Launch only with little or no wind and good visibility. Always follow the National Association of Rocketry (NAR) SAFETY CODE (enclosed).

MISFIRES TAKE THE KEY OUT OF THE CONTROLLER. WAIT ONE MINUTE BEFORE GOING NEAR THE ROCKET! Disconnect the micro clips and remove the engine. Take the plug and starter out of the engine. A burned starter means the starter tip was not touching engine propellant. Install a new starter; be sure the tip is touching propellant inside engine. Repeat the steps under Countdown and Launch.

© 2019 Estes Industries, LLC. All rights reserved.
Estes Industries, LLC, 1295 H Street, Penrose, CO. Made in Guangdong, China.



PN 090004-1752 (1-24)