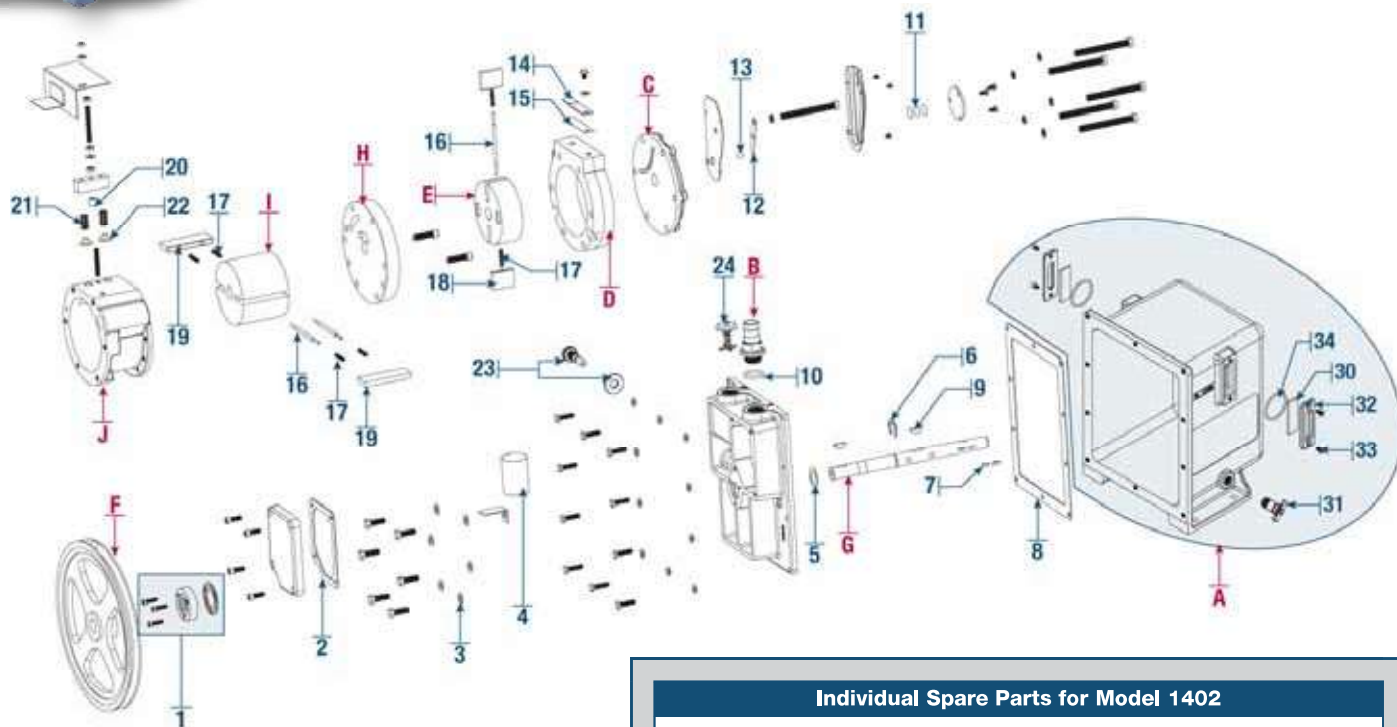


DuoSEAL® Belt-Drive Vacuum Pumps



Model 1402



Major Repair Kit CAT. No. 1402K-06 for Model 1402

ID	Qty.	Description	ID	Qty.	Description
Major Repair Kit 1402K-06					
1	1	Mechanical Shaft Seal Kit, 3/4" CAT. No. 1401D	13	1	Ball Bearing
2	1	Gasket Intake Chamber Cover	14	1	Exhaust Valve, Upper
3	6	Copper Washer	15	1	Exhaust Valve, Lower
4	1	Intake Screen	16	3	Spring Holder
5	1	Thrust Washer	17	6	Vane Spring
6	1	Rotor Clip for Shaft	18	2	Vane, Small
7	2	Woodruff Key	19	2	Vane, Large
8	1	Gasket, Oil Case	20	1	Spacer for Valve Block
9	2	Woodruff Key	21	2	Valve Spring
10	1	O-Ring	22	2	Valve for Block
11	3	Thrust Disk	Minor Repair Kit CAT. No. 1402K-05		
12	1	Pressure Release Valve	Contains same as Major Repair Kit 1402K-06 except vane ID No. 18 and 19.		

Individual Spare Parts for Model 1402

ID	Qty.	CAT. No.	Description	ID	Qty.	CAT. No.	Description
A	1	61-8101	Oil Case Assembly	18	1	41-1487	Vane, Small (Requires 2)
B	1	1393K	Intake Adapter for 13/16" I.D. Hose	19	1	41-0959	Vane, Large (Requires 2)
C	1	41-2045	Small End Plate		1	1371A-01	Belt Guard & Base Kit
D	1	61-8108D	Exhaust Ring		1	61-8803	Belt Guard/Cover
E	1	41-1518	Exhaust Rotor	23	1	41-1736	Gas Ballast Valve
F	1	41-2074	Pump Pulley with Set Screw		1	41-0668	Motor Pulley with Set Screw
G	1	41-2093	Shaft	24	1	61-8912	Exhaust Plug/Cover
H	1	61-8250C	Center Plate		1	1401D-01	Shaft Lip Seal Kit, 3/4"
I	1	41-2092	Intake Rotor		1	61-8698	Pump Base
J	1	61-8113C	Intake Ring		1	41-1907A	1/2 HP Motor, 115/230V, 60Hz, 1Ph
					2	61-2229A	Oil Window Glass (Requires 2)
1	1	★1401D	Mechanical Shaft Seal Kit, 3/4"	31	1	726130	Drain Valve
	1	★1405A	V-Belt	32	2	61-2370	Oil Window Cover (Requires 2)
		★1417P-10	Standard Exhaust Filter	33	4	61-1014	Screw (Requires 4)
		★1417G	Replacement Exhaust Filter Element	34	2	66-0304	O-Ring (Requires 2)
		★1407K-11	DuoSeal Vacuum Pump Oil -1 Qt.				
		★1407K-15	DuoSeal Vacuum Pump Oil -1 Ga.				
		★331060-5	5' x 13/16" I.D. Vacuum Hose				

★ - Suggested Spare and Consumable Parts