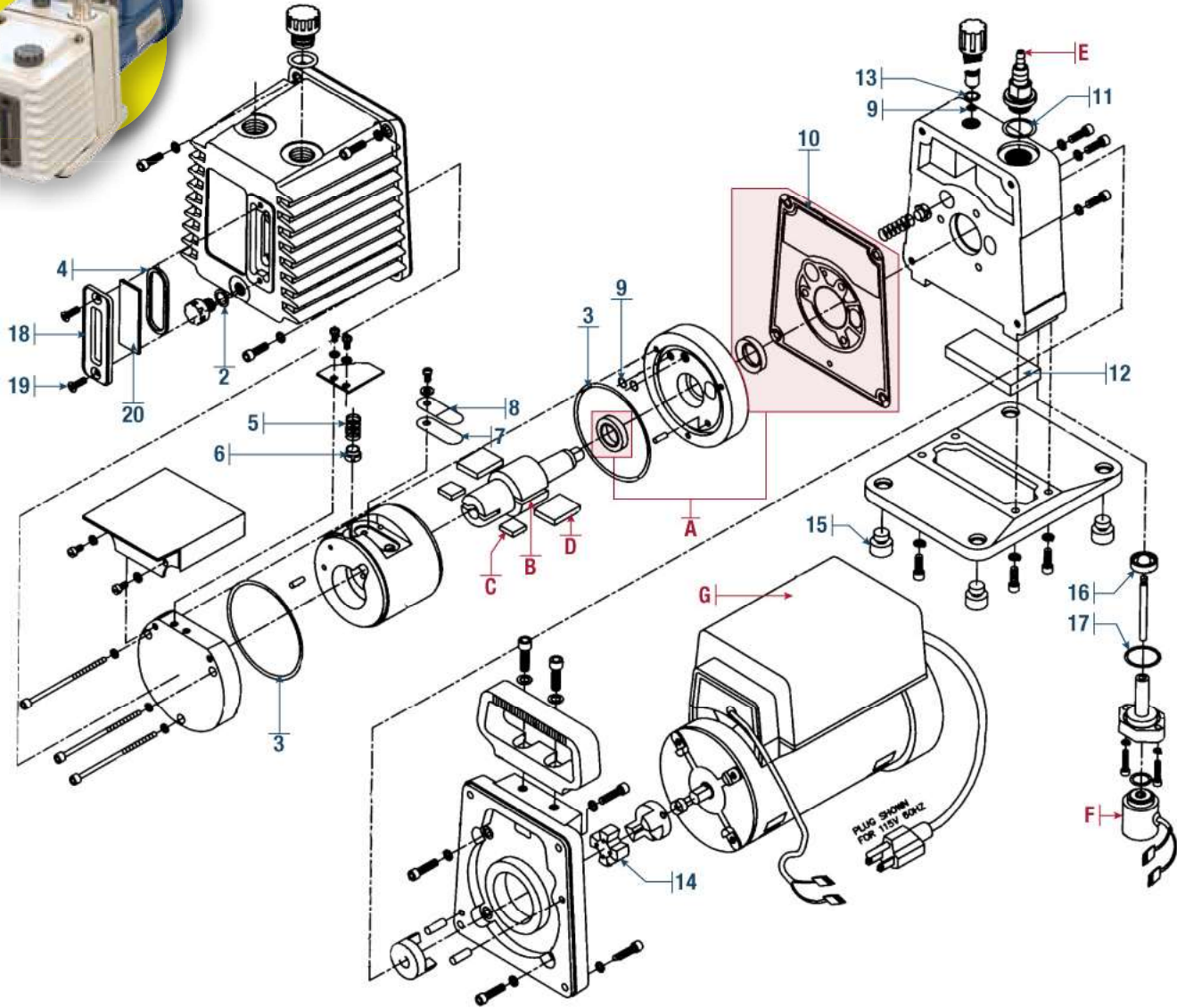


Direct-Drive Compact Vacuum Pumps

Model 8905



Minor Repair Kit CAT. No. 8905K-02 for Model 8905

ID	Qty.	Description	ID	Qty.	Description
2	1	O-Ring	11	1	O-Ring
3	1	O-Ring	12	1	Drip Pad
4	2	Window O-Ring	13	1	O-Ring
5	2	Valve Spring	14	1	Coupling Rubber
6	1	Valve	15	4	Rubber Bumper
7	1	Intake Valve	16	1	Disc Assembly, Isolator Valve
8	2	Backer Valve	17	1	O-Ring
9	2	O-Ring	18	2	Screw
10	1	Gasket	19	1	Window Cover
			20	1	Glass Window

Individual Spare Parts for Model 8905

ID	Qty.	CAT. No.	Description	ID	Qty.	CAT. No.	Description
A	1	★8905K-03	Lip Shaft Seal Kit CAT. No. 8905K-03			★1417	Standard Exhaust Filter
B	1	61-2177B	Rotor			★1417L	Replacement Exhaust Filter Element (2 pk.)
C	1	61-2179A	Exhaust Vane (Requires 2)			★8995P-11	Premium Vacuum Pump Oil -1 Qt.
D	1	61-2178A	Intake Vane (Requires 2)			★8995P-15	Premium Vacuum Pump Oil -1 Ga.
E	1	8905K-06	Unibarb™ 3/16" & 7/16" ID Hose			★331040-5	5' x 7/16" I.D. Vacuum Hose
F	1	61-2308	Solenoid Coil Assembly				
G	1	61-5356	Motor 1/4 HP, 115/230V, 60Hz, 1Ph				

★ - Suggested Spare and Consumable Parts