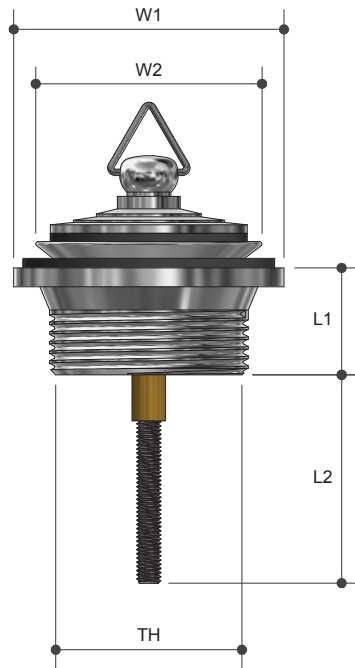


Plug and Wastes

2 PART BRASS PLUG

PW32AD | PW40AD

Product Specifications



Specifications

32mm outlet

Sizing Chart (MM)

	L1	L2	W1	W2	TH	SIZE
PW32AD	26	50	65	54	G 1 1/2"	32MM X 40MI
PW32ADMB	26	50	65	54	G 1 1/2"	32MM X 40MI
PW40AD	26	47	65	59	G 1 1/2"	40MM

MT MONOPOLY™

T A P W A R E



Features



Watermark approved

Tested and certified to WMTS 040

Available in Chrome and Matte black finish

For more information on Monopoly Tapware, contact:
Austworld 15 Activity Crescent, Molendinar, Queensland 4214 Australia

P. 1300 780 430 F. 1300 780 441 E. info@austworld.com.au

Austworld Pty Ltd. All rights reserved 2018. Austworld and Monopoly Tapware are registered trade mark belonging to Austworld Pty Ltd.

AW

AUSTWORLD