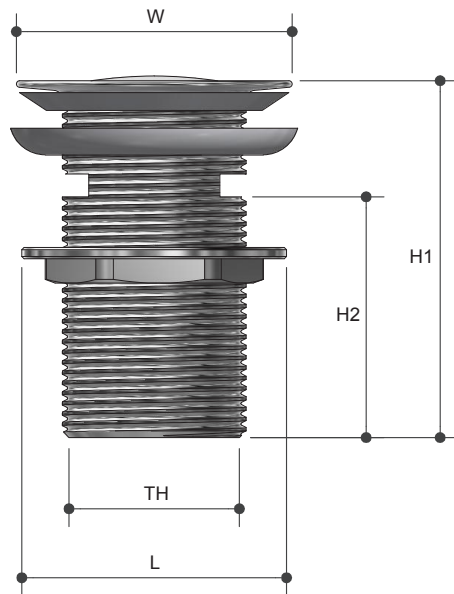


Plug and Wastes WITH OVERFLOW POP UP BASIN

PWW Series

Product Specifications

MT MONOPOLY™
T A P W A R E



Specifications

Available in 32mm and 40mm outlet

Sizing Chart (MM)

	L	H1	H2	W	TH	SIZE
PW3275W	60	80	54	62	G 1 1/4"	32MM X 75MM
PW3275WMB	60	80	54	62	G 1 1/4"	32MM X 75MM
PW3290W	60	95	66	62	G 1 1/4"	32MM X 90MM
PW4075W	70	75	44	65	G 1 1/2"	40MM X 75MM
PW4075WMB	70	75	44	65	G 1 1/2"	40MM X 75MM

Features



Watermark approved

Chrome plated

Tested and certified to WMTS 040

For more information on Monopoly Tapware, contact:
Austworld 15 Activity Crescent, Molendinar, Queensland 4214 Australia

P. 1300 780 430 F. 1300 780 441 E. info@austworld.com.au

Austworld Pty Ltd. All rights reserved 2018. Austworld and Monopoly Tapware are registered trade mark belonging to Austworld Pty Ltd.

AW
AUSTWORLD