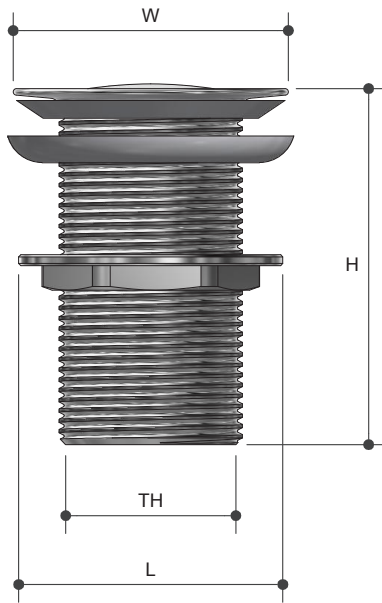


Plug and Wastes POP UP BASIN

PW Series

Product Specifications



Specifications

Available in 32mm and 40mm outlet

Sizing Chart (MM)

	L	H	W	TH	SIZE
PW3275	60	80	62	G 1 1/4"	32MM X 75MM
PW3275MB	60	80	62	G 1 1/4"	32MM X 75MM
PW3290	60	95	62	G 1 1/4"	32MM X 90MM
PW4075	70	75	65	G 1 1/2"	40MM X 75MM
PW4075MB	70	75	65	G 1 1/2"	40MM X 75MM

MT MONOPOLY™ TAPWARE



Features



Watermark approved

Tested and certified to WMTS 040

Available in Chrome and Matte black finish

For more information on Monopoly Tapware, contact:
Austworld 15 Activity Crescent, Molendinar, Queensland 4214 Australia

P. 1300 780 430 F. 1300 780 441 E. info@austworld.com.au

Austworld Pty Ltd. All rights reserved 2018. Austworld and Monopoly Tapware are registered trade mark belonging to Austworld Pty Ltd.

AW
AUSTWORLD