

SELECT ASSIST DELUXE

JohnsonSuisse
Bathroom Solutions

SPECIAL NEEDS S TRAP TOILET SUITE

CODE:
Blue seat - J2031.RG21016SNB
Grey seat - J2031.RG21016SNG
White seat - J2031.RG21016SNW

FEATURES

- Concealed outlet s trap pan with plastic mid-level cistern
- Suitable for special needs/ambulant installation in domestic or commercial installations
- Assist seat has no lid and incorporates lateral stabilisers
- Seat available in blue, grey or white colour
- Flush pipe dimensions are sufficient to provide compliance with AS1428.1: 2021
- **WC Pan - WELS 4 Star, 4.5/3.1L (3.4 average flush) L06671**
Cistern - WELS 4 Star, 4.7/2.8L (3.2 average flush) L07697



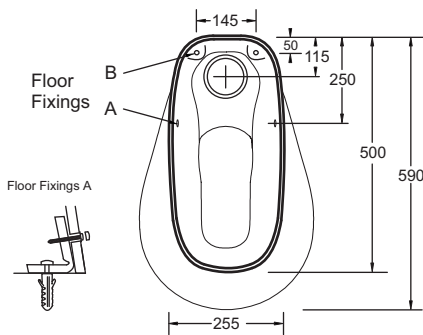
COMPONENTS

ASSIST DELUXE S TRAP PAN	J2031
SELECT ASSIST CISTERN	RG1016SN
ASSIST SINGLE FLAP	{ BLUE RB6015B GREY RB6015G WHITE RB6015W
TOP FIX TOILET SEAT	

WARRANTY

VC 25 YEARS, VALVES 3 YEARS, SEAT 5 YEARS

- Refer to T&CS at johnsonsuiss.com.au



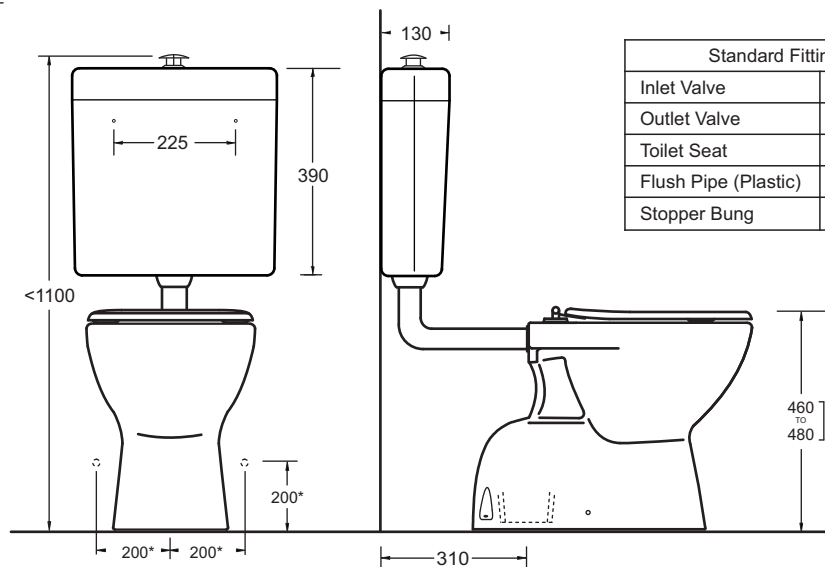
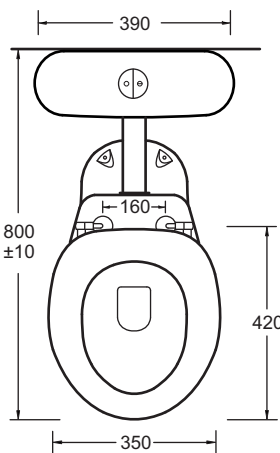
Special Installation Note

The Select Assist Deluxe suite is designed to be installed in compliance with AS1428.1:2021 - Design for access and mobility. It is essential that the installation of the complete sanitary facility adheres to this Standard - specified circulation clearances, grab-rails, and other accessories must be in compliance.



WC Pan

Cistern



Standard Fittings	
Inlet Valve	XI200
Outlet Valve	XI210
Toilet Seat	RB6015
Flush Pipe (Plastic)	XR900C
Stopper Bung	XJ160



* RECOMMENDED WATER INLET LOCATIONS

TECHNICAL DATA SHEET

SUPERSEDES ALL PREVIOUS ISSUES

All dimensions are in millimetres and are subject to normal manufacturing variation. As product development is ongoing BPA reserves the right to vary specifications without notice.
Bathroom Products Australia P/L ABN 87 079 297 617

JohnsonSuisse
Bathroom Solutions

2/97 Banksia St., Botany, NSW 2019
TEL: 1300 717 717
www.johnsonsuiss.com.au
0723