



# GREENS

where life meets water



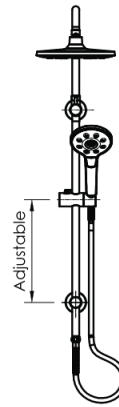
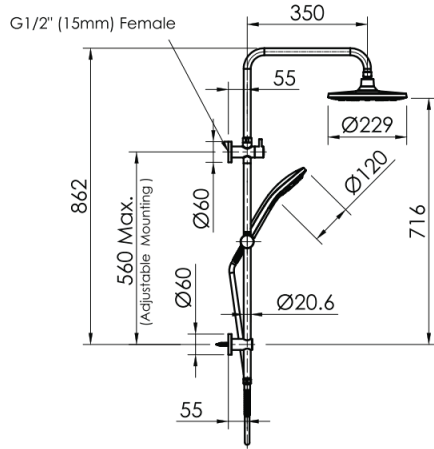
# OAKLEY

# OAKLEY

## Twin Rail Shower

Code            Finish            WELS Registration

- 1910030    Chrome
- 1910031    Brushed Nickel    S14580
- 1910037    Matte Black

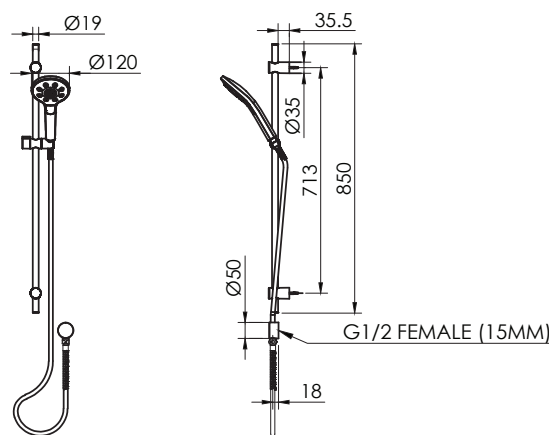


- Brass twin rail shower rail – 20.6mm diameter
- 3 Function Hand Shower - 120mm diameter
- Single function overhead shower - 260mm Diameter
- Brass diverter – top installation
- Includes hose

WELS 3 Star 9.0 L/M

## Rail Shower

- 1910000    Chrome
- 1910001    Brushed Nickel    S14669
- 1910007    Matte Black

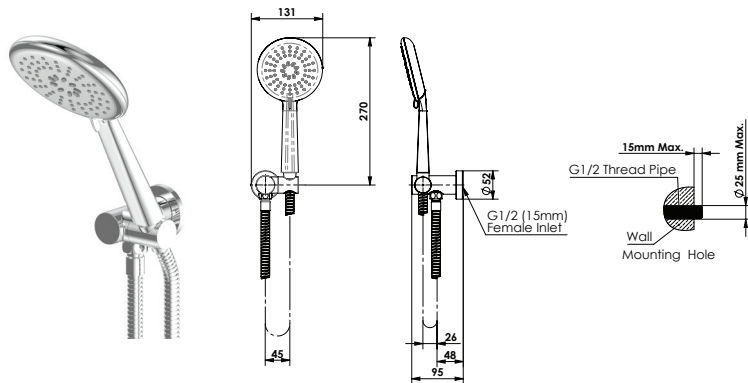


- 3 Function Hand Shower - 120mm diameter
- 19mm diameter rail
- Rail length 850mm
- Includes hose and elbow

WELS 3 Star 9.0 L/M

# OAKLEY

## Hand Shower w/ Wall Outlet Bracket



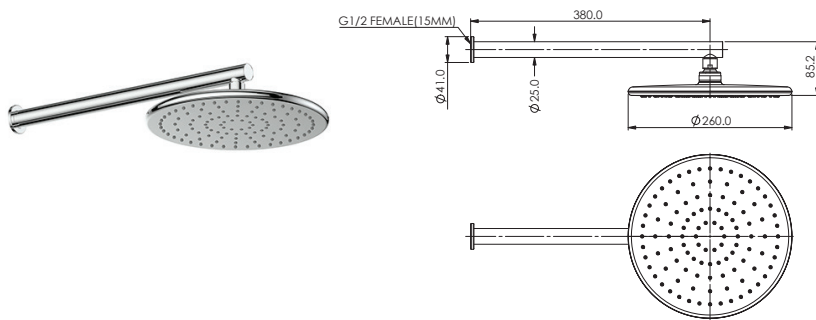
Code                      Finish                      WEL Registration

9019100	Chrome	S14500
9019101	Brushed Nickel	
9019107	Matte Black	

- 3 Function Hand Shower - 120mm diameter
- includes hose and wall outlet bracket

WELS 3 Star 9.0 L/M

## Overhead Wall Shower

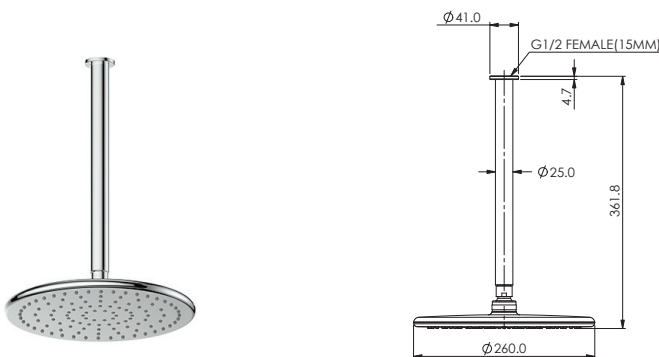


1910010	Chrome	S14578
1910011	Brushed Nickel	
1910017	Matte Black	

- Single function overhead shower - 260mm Diameter
- 380mm Brass wall arm

WELS 3 Star 9.0 L/M

## Overhead Ceiling Shower



1910020	Chrome	S14577
1910021	Brushed Nickel	
1910027	Matte Black	

- Single function overhead shower - 260mm Diameter
- 361.8mm Brass wall arm

WELS 3 Star 9.0 L/M

# PRODUCT CARE & MAINTENANCE

Maintenance of the finish of your tapware is important. Here are a few simple tips to follow:

## All Finishes

Surfaces need to be cleaned regularly with a soft damp cloth using water with liquid detergent or soap, then wiped dry to avoid water spots.

Do not use cleaning agents containing a corrosive acid or scouring agent, as well as cream cleaners (they are abrasive), as they may damage the surface which can void your warranty.

# WARRANTY GUIDE

For full warranty details on all Greens products, please visit our website [www.greenstapware.com](http://www.greenstapware.com)



TAPWARE



SHOWERS



FINISH\*

\* 1 Year Finish Warranty on Matte Black Products.



# GREENS

**GREENS GLOBAL AUS PTY LTD**

[www.greenstapware.com](http://www.greenstapware.com)

1800 244 487