

[2017 / 2018] BATHROOM CATALOGUE [JS.01 COMMERCIAL SOLUTIONS] HEALTH, AGED CARE & ACCESSIBLE

JohnsonSuisse
Bathroom Solutions

JS.01.BK03

HEALTH, AGED CARE & ACCESSIBLE





HEALTH, AGED CARE & ACCESSIBLE

PWD

When specifying bathroom solutions for people with disabilities it is important to select products that have been designed for access and mobility to comply with Australian Standards AS1428.1. To ensure you have complete confidence when compliance is a concern, we have created a PWD product package to help you. Products need to be installed as per the guidelines to guarantee compliance.

AMBULANT

Under certain conditions, the Building Code of Australia (BCA) requires the provision of Ambulant accessible facilities to aid people with restricted mobility. This range of contemporary and functional bathroom products have been designed to meet Ambulant requirements as outlined in AS1428.1 2009.

AGED CARE

Focussing on ease of use, comfort and safety – our range of bathroom products suited for older Australians and those with restricted movement help to deliver the ultimate solution for users and carers. The range includes a variety of basin and tapware options as well as extra-height toilet suites, helping to deliver stylish and functional bathrooms.

HEALTH CARE

Hospitals and healthcare centres are very busy environments that require high performance and technically advanced bathroom solutions. We understand the critical importance of reliability and performance in these demanding applications, that's why our Health Care solutions range has been designed to be durable, hygienic, comfortable as well as being easy to clean and maintain. Our solutions range from sensor-activated tapware to remote pneumatic actuator buttons and even high-speed hand dryers with anti-bacteria microban®.



ELECTRONIC TAP E-MODUS

In partnership with Schell, Johnson Suisse product innovations allow you to reduce water consumption, providing savings in to the overall consumption of the building, contributing to a more efficient and sustainable environment. The Modus electronic basin mixer is the perfect choice for public and commercial sanitary facilities helping to achieve up to 60% water reduction in comparison to a conventional single lever basin mixer.

Hygiene in public, semi-public and commercial sanitary areas is becoming a major focal point for public safety. The Modus electronic basin mixer has a touch-free sensor tap that automatically turns on and off. It's solenoid manufactured for 70°C water supply for 10 seconds to kill legionnaires disease. This makes Modus E the ideal tap for heavy use bathrooms. It's handsfree technology at its very best.

TAP E-MODUS COLD JTM121C

- PWD
- Health Care

SIZE: H138 mm x D105 mm
Compact fixed-spout sensor activated cold/tempered water basin tap
Bright chrome finish with European quality and reliability
Hygienic contactless IR sensor operation
Mains supply connection.
Battery activation option
6 Star



TAP E-MODUS HOT/COLD JTM121M

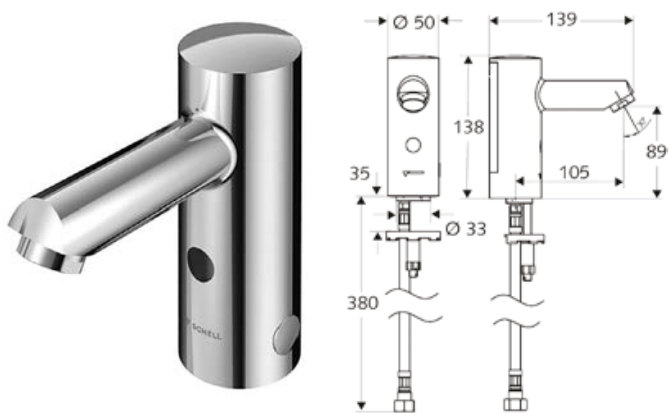
- Health Care

SIZE: H138 mm x D105 mm
Compact fixed-spout sensor activated basin mixer
Bright chrome finish with European quality and reliability
Hygienic contactless IR sensor operation
Convenient mixing lever for temperature adjustment
6 Star

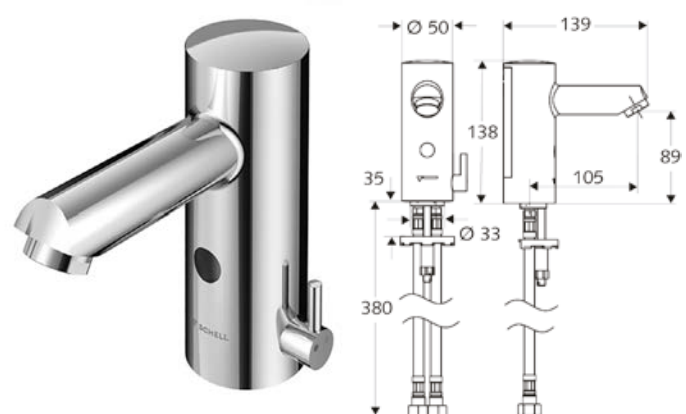


 **SHELL**





TAP E-MODUS COLD
JTM121C



TAP E-MODUS HOT/COLD
JTM121M

TYPE A WALL BASIN

WALL HUNG
J3090

- Aged Care
- Health Care

SURGICAL SCRUB

SIZE: 640 mm x 545 mm

Suitable for use as a Type A Large Clinical Scrub Basin as per Australasian Health Facilities Guidelines Part D: Infection Prevention and Control

No overflow to reduce the spread of infection

Unique shape allows users to easily operate wall-mounted, elbow-operated tapware

Curved sides with waste situated at back of bowl to minimise splashing

No taphole

15 L capacity



TYPE B WALL BASIN

WALL HUNG
J3092

- PWD
- Aged Care
- Health Care

STAFF CLINICAL



Compliant with appropriate requirements of AS1428.1 for disabled and assisted living.

SIZE: 610 mm x 460 mm

Suitable for use as a Type B Medium Clinical Scrub Basin as per Australasian Health Facilities Guidelines Part D: Infection Prevention and Control

No overflow to reduce the spread of infection

Curved sides with waste situated at back of bowl to minimise splashing

0/1 taphole option



TYPE C WALL BASIN

WALL HUNG
J3094

- Aged Care
- Health Care

NON-CLINICAL SCRUB

SIZE: 500 mm x 430 mm

Suitable for use as a Type C Non Clinical Small/Medium Staff Hand Basin as per Australasian Health Facilities Guidelines Part D: Infection Prevention and Control

No overflow to reduce the spread of infection

Curved sides with waste situated at back of bowl to minimise splashing

0/1 taphole option



LUCCA SHELF ASSIST LH/RH NO OVERFLOW BASIN

WALL HUNG
J3170L.N (LEFT HAND SHELF)
J3170R.N (RIGHT HAND SHELF)

- PWD
- Aged Care
- Health Care

PATIENT ENSUITE



Compliant with appropriate requirements of AS1428.1 for disabled and assisted living.

SIZE: 750 mm x 470 mm

Large wall basin with wide soap platform area

Shelf on left side

Supplied with Chrome O/Flow Plug & Waste 32/40mm

Capacity 6.6L

0/1 Taphole

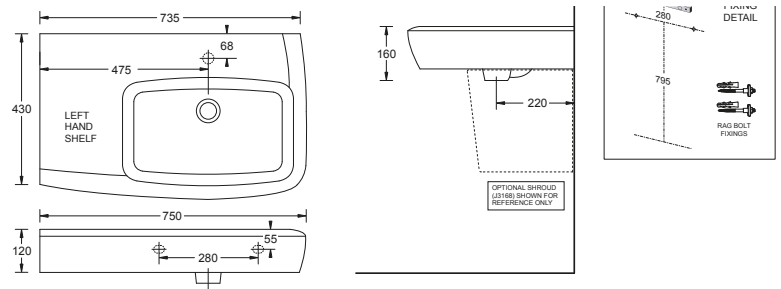
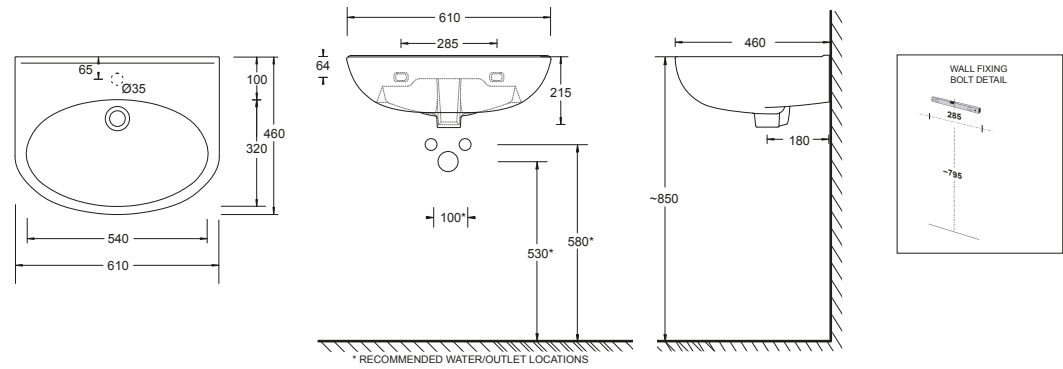
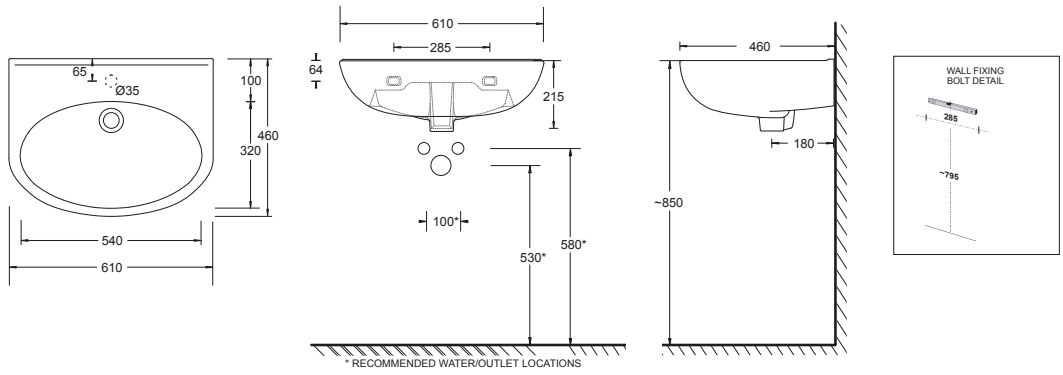
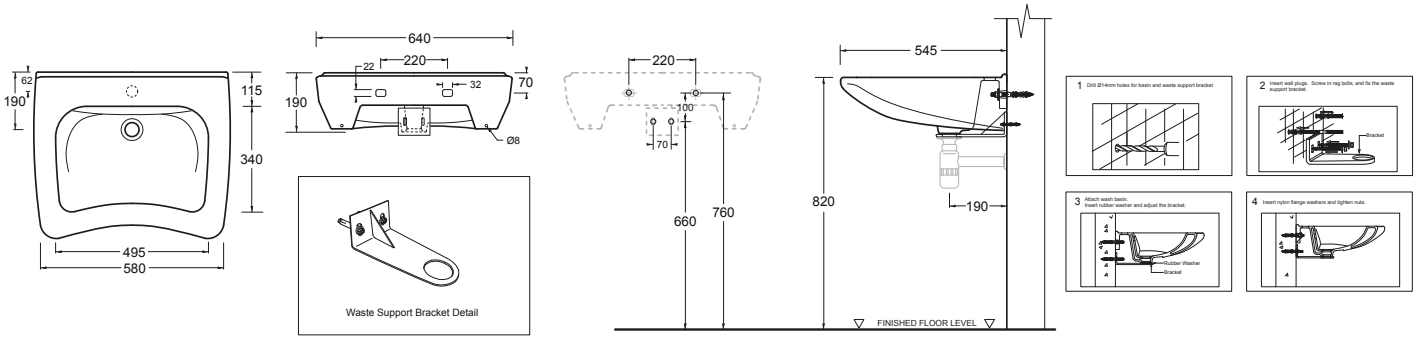


SHROUD
J3168



BOTTLE TRAP
BT1





GEMELLI ROUND BASIN

SEMI-INSET
J3232
J3235 (COUNTER TOP)

● Health Care

STAFF ROOM / PUBLIC
BATHROOM

SIZE: 400 mm x 400 mm
Round form counter top
inset vessel basin
Contemporary styling
Capacity 9.0L
0 Taphole



GEMELLI SQUARE BASIN

SEMI-INSET
J3252
J3255 (COUNTER TOP)

● Health Care

STAFF ROOM / PUBLIC
BATHROOM

SIZE: 400 mm x 400 mm
Square form counter top
inset vessel basin
Contemporary styling
Capacity 11.0L
0 Taphole



GEMELLI OVAL BASIN

SEMI-INSET
J3242
J3245 (COUNTER TOP)

● Health Care

SIZE: 450 mm x 410 mm
Oval form counter top
inset vessel basin
Contemporary styling
Capacity 5.5L
1 Taphole



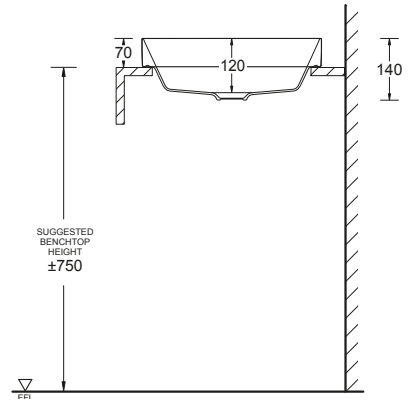
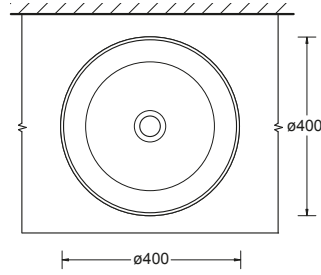
GEMELLI 450 RECTANGULAR BASIN

SEMI-INSET
J3262
J3265 (COUNTER TOP)

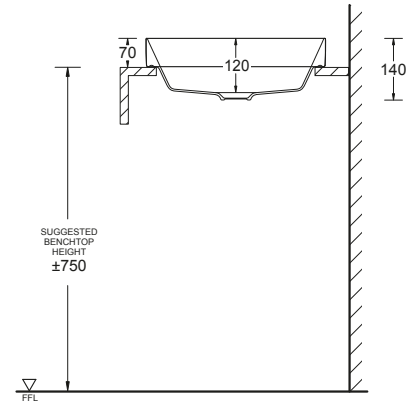
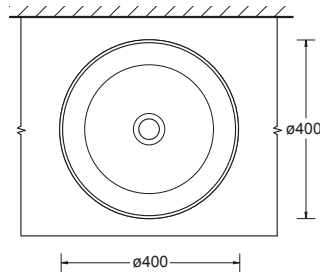
● Health Care

SIZE: 450 mm x 410 mm
Small rectangular form counter
top inset vessel basin
Single taphole with
soap platform
Capacity 5.8L
1 Taphole

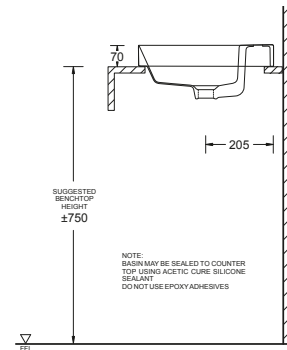
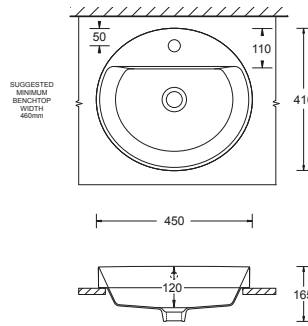




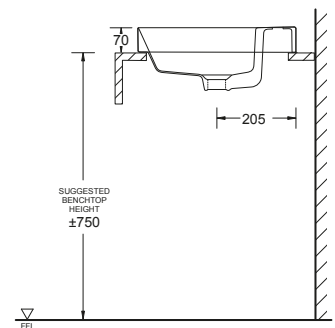
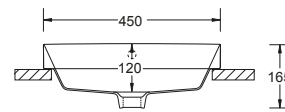
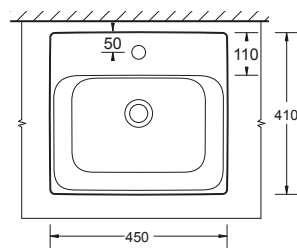
NOTE:
BASIN MAY BE SEALED TO COUNTER
TOP USING ACETIC CURE SILICONE
SEALANT
DO NOT USE EPOXY ADHESIVES



NOTE:
BASIN MAY BE SEALED TO COUNTER
TOP USING ACETIC CURE SILICONE
SEALANT
DO NOT USE EPOXY ADHESIVES



NOTE:
BASIN MAY BE SEALED TO COUNTER
TOP USING ACETIC CURE SILICONE
SEALANT
DO NOT USE EPOXY ADHESIVES



NOTE:
BASIN MAY BE SEALED TO COUNTER
TOP USING ACETIC CURE SILICONE
SEALANT
DO NOT USE EPOXY ADHESIVES

QUADO 450 BASIN

WALL HUNG
J3160

● Health Care

SIZE: 450 mm x 390 mm
Contemporary rectangular basin
Suitable for commercial and domestic applications
Capacity 4.0L
0/1 Taphole



QUADO ASSIST 550 BASIN

WALL HUNG
J3162

● PWD



Compliant with appropriate requirements of AS1428.1 for disabled and assisted living.

SIZE: 550 mm x 445 mm
Mid-sized rectangular basin
Matching pedestal and shroud available
Capacity 6.6L
0/1 Taphole



QUADO ASSIST 600 BASIN

WALL HUNG
J3164

● PWD



Compliant with appropriate requirements of AS1428.1 for disabled and assisted living.

SIZE: 600 mm x 445 mm
Large-sized basin with useful wide soap shelf
Matching pedestal and shroud available
Capacity 7.1L
0/1 Taphole



QUADO 800 BASIN

WALL HUNG
J3166

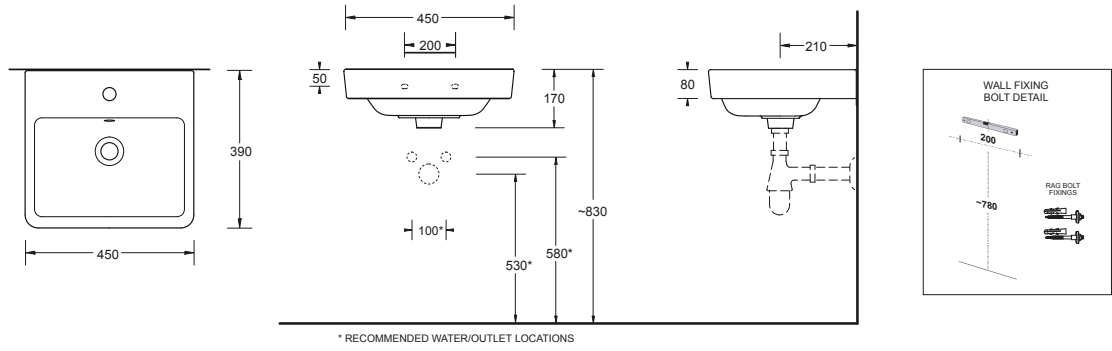
● PWD



Compliant with appropriate requirements of AS1428.1 for disabled and assisted living.

SIZE: 795 mm x 445 mm
Extra large-sized rectangular basin with side platform areas
Matching pedestal and shroud available
Capacity 7.1L
0/1 Taphole





* RECOMMENDED WATER/OUTLET LOCATIONS

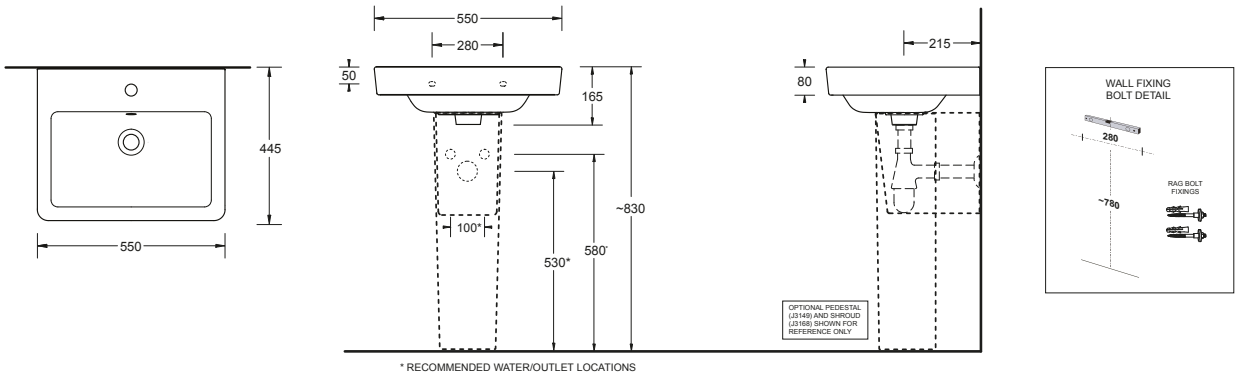
Optional Extra Items



SHROUD
J3168



BOTTLE TRAP
BT1



* RECOMMENDED WATER/OUTLET LOCATIONS

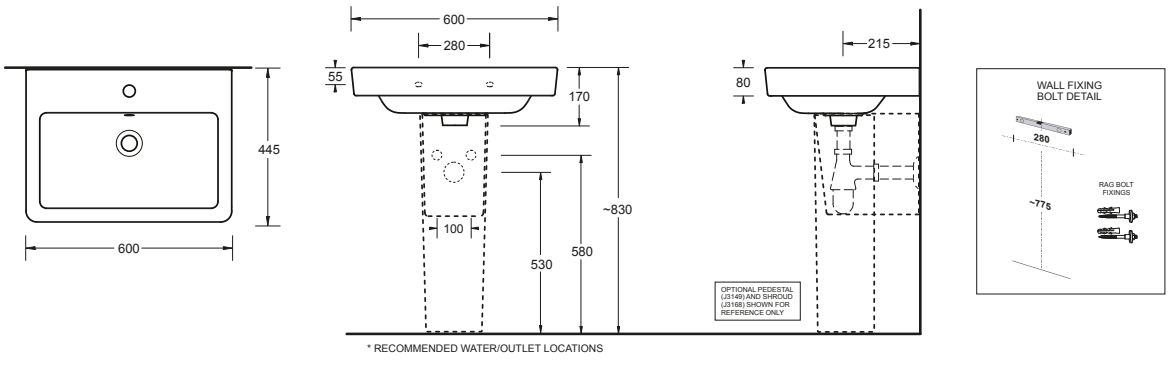
Optional Extra Items



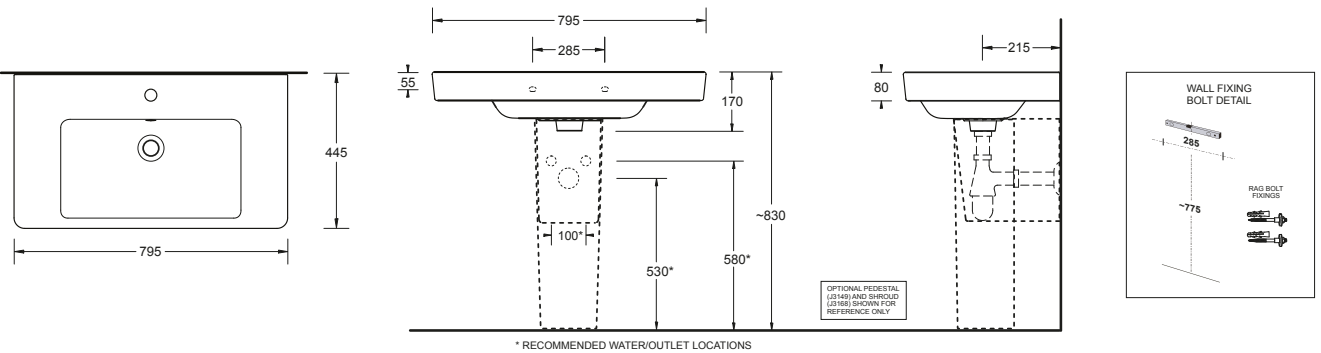
SHROUD
J3168



BOTTLE TRAP
BT1



* RECOMMENDED WATER/OUTLET LOCATIONS



* RECOMMENDED WATER/OUTLET LOCATIONS

LUCCA SHELF BASIN (LH & RH)

WALL HUNG
J3170L (LH SHELF)
J3170R (RH SHELF)

- PWD
- Aged Care



Compliant with appropriate requirements of AS1428.1 for disabled and assisted living.

SIZE: 750 mm x 470 mm
Large wall basin with wide soap platform area
Capacity 6.6L
0/1 Taphole



EMILIA 450 BASIN

WALL HUNG
J3140

- Aged Care

SIZE: 455 mm x 350 mm
Small to mid size contemporary standard basin
Wide soap platform area
Capacity 3.5L
0/1 Taphole



EMILIA ASSIST 550 BASIN

WALL HUNG
J3142

- PWD
- Aged Care



Compliant with appropriate requirements of AS1428.1 for disabled and assisted living.

SIZE: 560 mm x 450 mm
Contemporary standard basin
Matching pedestal and shroud available
Capacity 7.2L
0/1 Taphole



EMILA ASSIST 600 BASIN

WALL HUNG
J3144

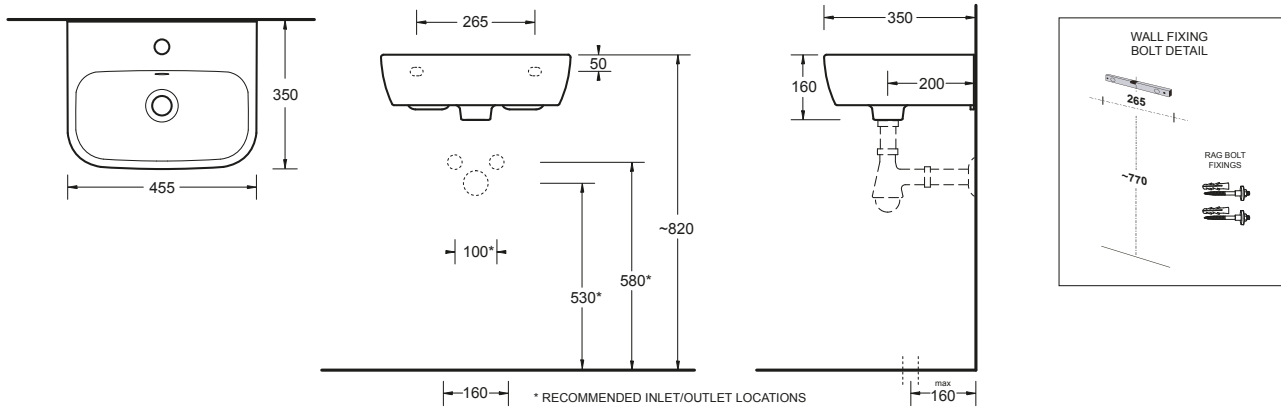
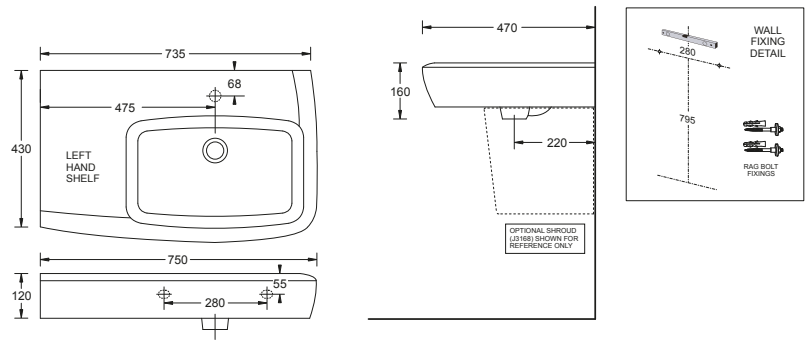
- PWD
- Aged Care



Compliant with appropriate requirements of AS1428.1 for disabled and assisted living.

SIZE: 600 mm x 450 mm
Large wall basin with wide soap platform area
Matching pedestal and shroud available
Capacity 7.4L
0/1 Taphole





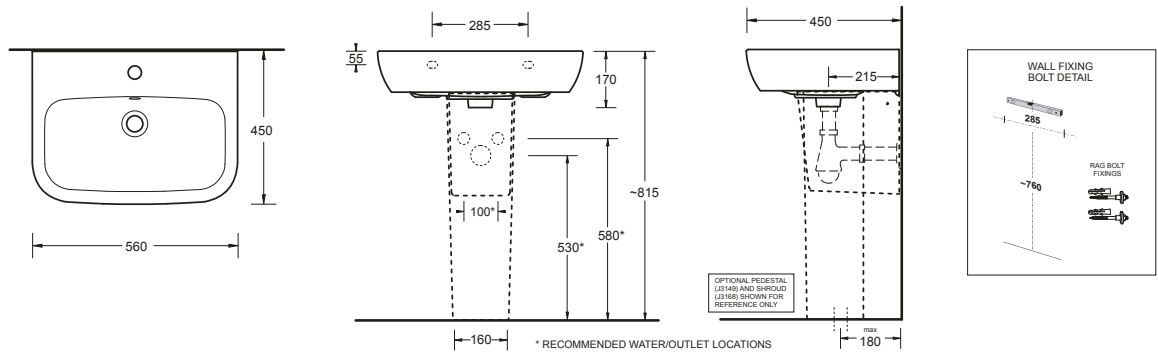
Optional Extra Items



SHROUD
J3168



BOTTLE TRAP
BT1



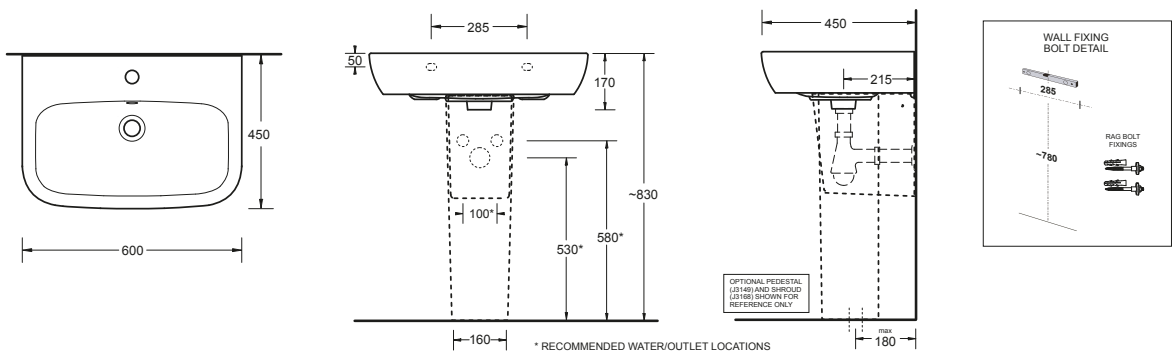
Optional Extra Items



SHROUD
J3168



BOTTLE TRAP
BT1



LIFE WALL BASIN

WALL HUNG
J3070

- Aged Care
- Health Care

SIZE: 500 mm x 410 mm
Attractive contemporary style basin
Generous bowl size and handy soap shelf
Capacity 6.5L
1 Taphole



LIFE VANITY BASIN

COUNTER TOP
INSET VANITY
J3040

- Aged Care
- Health Care

SIZE: 520 mm x 450 mm
Well proportioned counter top inset vanity basin
Mid-sized with generous soap platform
Capacity 4.5L
1 Taphole



LIFE SEMI-RECESSED BASIN

SEMI-RECESSED
J3065

- PWD
- Aged Care
- Health Care



Compliant with appropriate requirements of AS1428.1 for disabled and assisted living.

SIZE: 525 mm x 470 mm
Rectangular form contemporary semi-recessed basin. Mid-sized with generous bowl size
Useful flat soap platform area
Capacity 6.4L
1 Taphole



LIVING ASSIST BASIN

WALL HUNG
C0154

- PWD
- Health Care

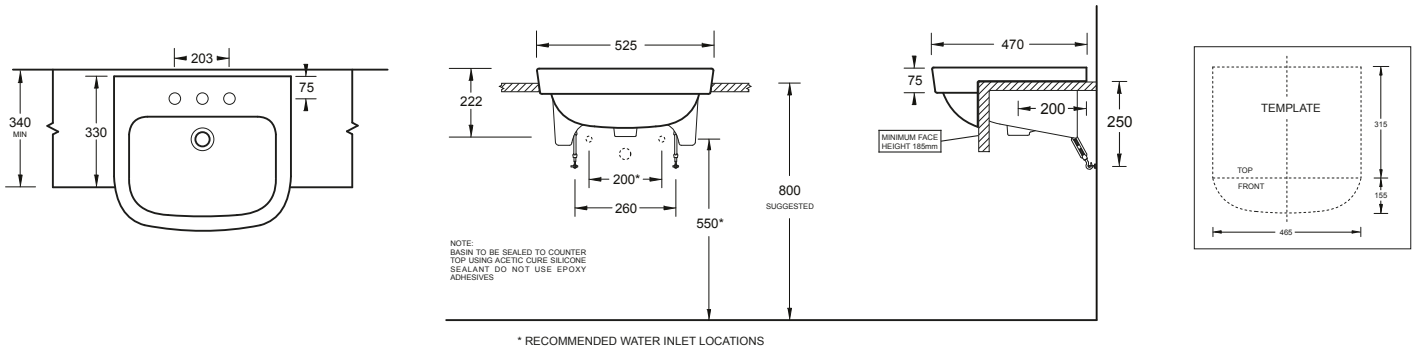
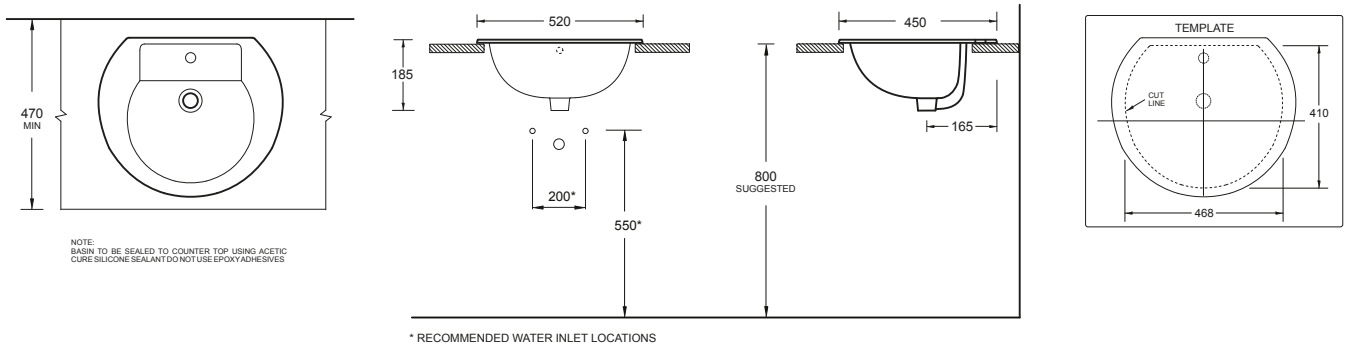
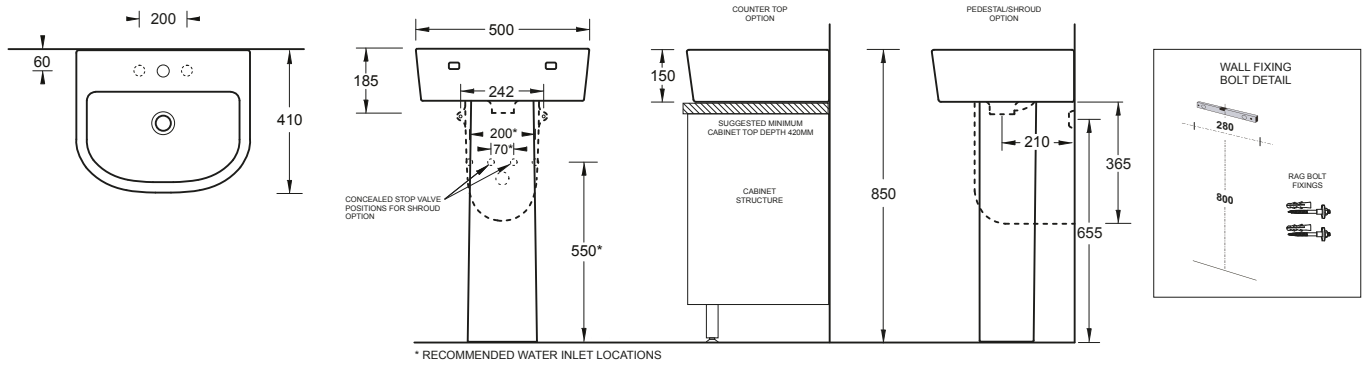


Compliant with appropriate requirements of AS1428.1 for disabled and assisted living.

SIZE: 500 mm x 450 mm
Contemporary mid-size wall-hung basin
Matching pedestal and shroud available
Capacity 5.2L
1 Taphole



Commercial



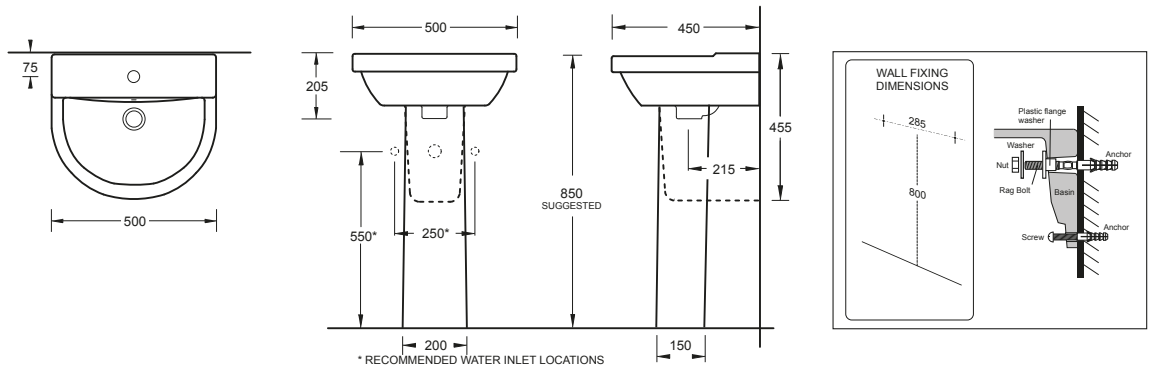
Optional Extra Items



SHROUD C4241



BOTTLE TRAP BT1



COMO BASIN

WALL HUNG
J3180

● Aged Care

SIZE: 525 mm x 425 mm
Attractive mid-size standard basin style
Wide soap platform area
Matching shroud available
Capacity 6.5L
1/3 Taphole
By 



AVON VANITY BASIN

COUNTER TOP
INSERT VANITY
J3001

● Aged Care


SIZE: 500 mm x 430 mm
Traditional oval counter top inset vanity basin
Mid-sized with twin soap recesses
Capacity 4.0L
By 



AVON SEMI-RECESSED BASIN

SEMI-RECESSED
J3010

● PWD
● Aged Care


Compliant with appropriate requirements of AS1428.1 for disabled and assisted living.

SIZE: 495 mm x 420 mm
Traditional Oval form semi-recessed basin
Mid-sized with generous bowl size
Suitable for commercial and domestic applications
Capacity 4.L
1/3 Taphole
By 



MILANO VANITY BASIN

COUNTER TOP
INSET VANITY
J3020

● Aged Care

SIZE: 575 mm x 415 mm
Traditional oval counter top inset vanity basin
Twin soap recesses
Capacity 4.0L
1/3 Taphole
By 



MILANO SEMI-RECESSED BASIN

SEMI-RECESSED
J3030

● Aged Care

SIZE: 520 mm x 430 mm
Standard D-shaped form semi-recessed basin
Mid-sized with generous bowl size
Suitable for commercial and domestic applications
Capacity 4.8L
1/3 Taphole
By 



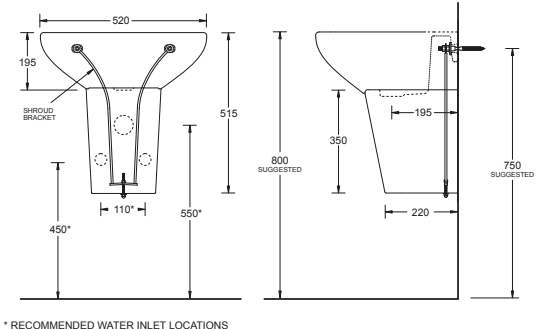
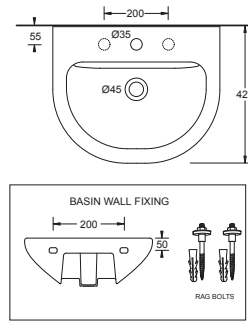
Optional Extra Items



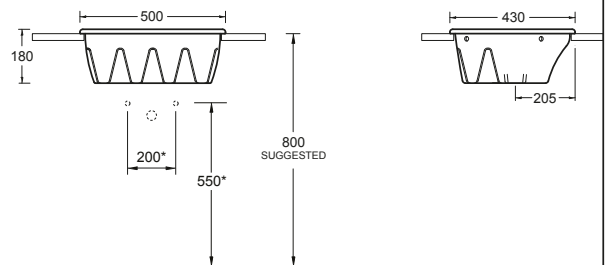
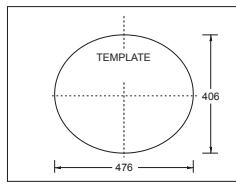
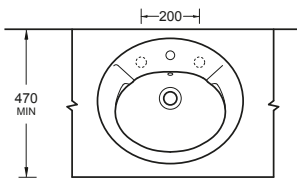
SHROUD
J3187



BOTTLE TRAP
BT1



* RECOMMENDED WATER INLET LOCATIONS

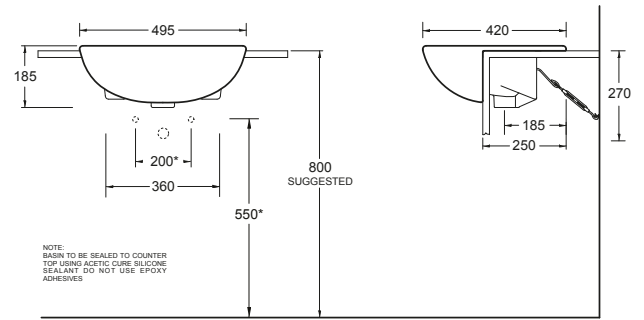
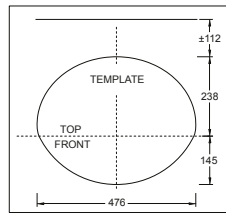
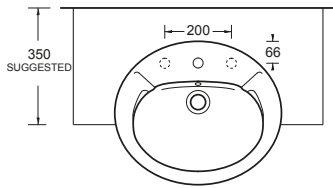


* RECOMMENDED WATER INLET LOCATIONS



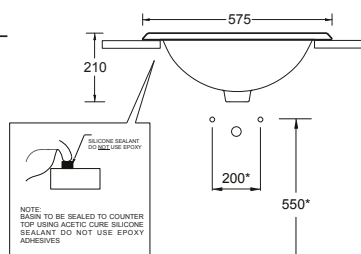
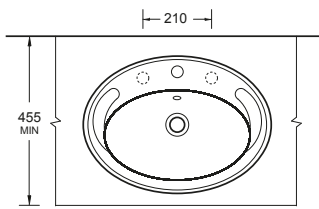
BOTTLE TRAP
BT1

Optional Extra Item



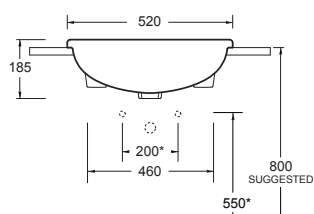
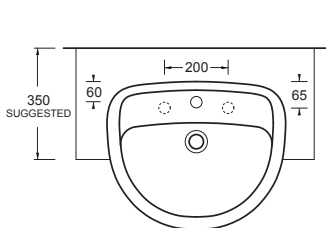
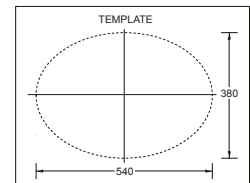
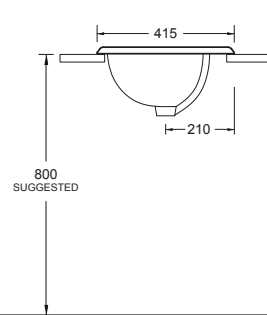
NOTE:
BASIN TO BE SEALED TO COUNTER
TOP USING ACETIC CURE SILICONE
SEALANT DO NOT USE EPOXY
ADHESIVES

* RECOMMENDED WATER INLET LOCATIONS



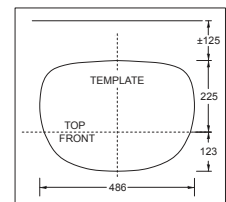
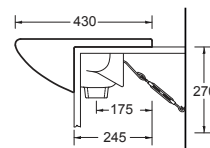
NOTE:
BASIN TO BE SEALED TO COUNTER
TOP USING ACETIC CURE SILICONE
SEALANT DO NOT USE EPOXY
ADHESIVES

* RECOMMENDED WATER INLET LOCATIONS



NOTE:
BASIN TO BE SEALED TO COUNTER
TOP USING ACETIC CURE SILICONE
SEALANT DO NOT USE EPOXY
ADHESIVES

* RECOMMENDED WATER INLET LOCATIONS



HEART ECONOFLUSH AIR TOILET SUITE

WALL FACED
J2570.J2981
(MECH. FRONT PUSH)

J2570.J2982 (PNEUMATIC)

J2570.J2988
(MECH. TOP PUSH)

● Health Care

SIZE: D570 x H400
Contemporary styled wall-faced pan matched with an in-wall cistern
Soft close/quick release seat
Selection of cistern actuator buttons available
WELS 4 Star



LIFE ECONOFLUSH AIR TOILET SUITE

WALL FACED
J2765.J2981
(MECH. FRONT PUSH)

J2765.J2982 (PNEUMATIC)

J2765.J2988
(MECH. TOP PUSH)

● Health Care

SIZE: D570 x H400
Contemporary styled wall-faced pan matched with an in-wall cistern
Soft close/quick release seat
Selection of cistern actuator buttons available
WELS 4 Star



LIFE ASSIST WF ECONOFLUSH AIR (PNEUMATIC BUTTON) TOILET SUITE

WALL FACED
J2775.J2982.G (grey seat)
J2775.J2982.B (blue seat)
J2775.J2982.W (white seat)

● PWD
● Aged Care
● Health Care



Compliant with Disabled sections of AS1428.1 – Design for access and mobility

SIZE: D800 x H470
Raised height pan with extended projection for wheelchair users
Available with Grey or Blue seats to assist users with dementia or visual impairments
Seat features top fix anti-vandal stainless steel fixings
Suitable for either back/bottom water entry or S/P Trap set out
WELS 4 Star
Choice of either White/Blue (JB90B) or Chrome (JB90C) raised buttons available



TOLEDO AMBULANT ECONOFLUSH AIR TOILET SUITE

WALL FACED
J2685.J2982

● Ambulant
● Aged Care
● Health Care

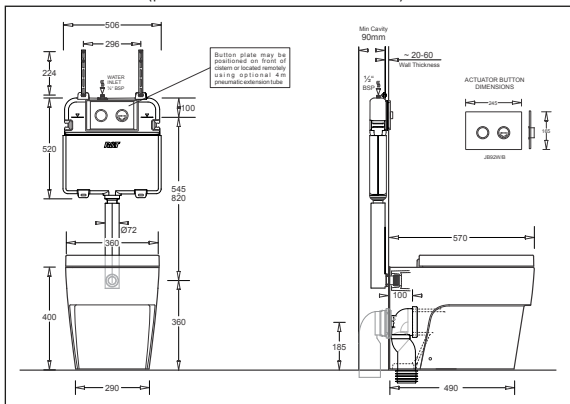


Compliant with Ambulant sections of AS1428.1 – Design for access and mobility

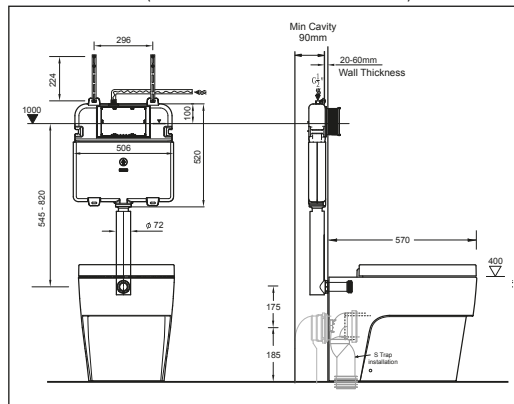
SIZE: D630 x H470
Contemporary styled wall-faced pan matched with an in-wall cistern
Soft close/quick release seat
Extended push-button rods
Selection of cistern actuator buttons available
WELS 4 Star



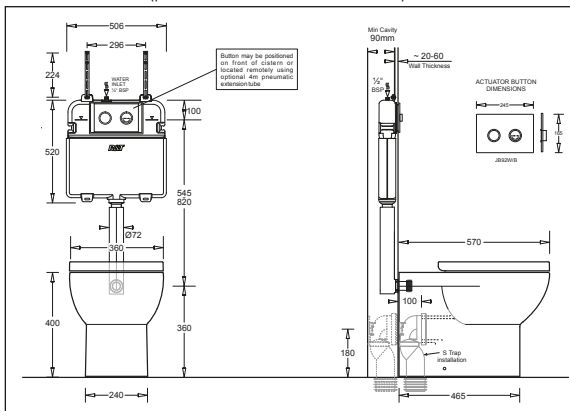
J2570.J2982 (pneumatic inwall cistern)



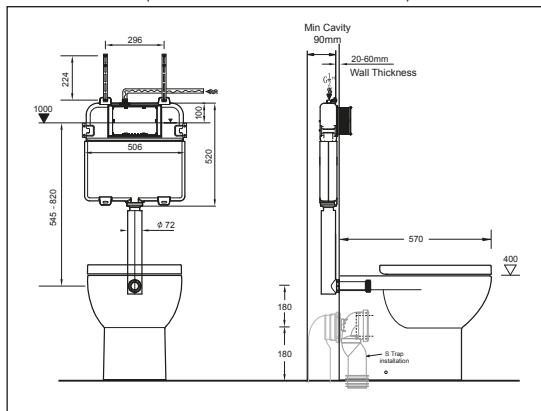
J2570.J2981 (mechanical inwall cistern)



J2765.J2982 (pneumatic inwall cistern)



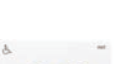
J2765.J2981 (mechanical inwall cistern)



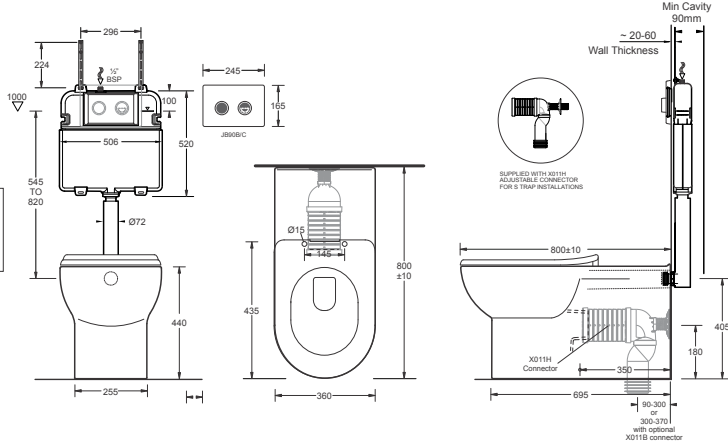
JB90C



JB90B



Note on Compliance with AS1428.1
 In Special Needs applications the design of the installation must comply with AS1428.1 - Design for Access and Mobility.
 For compliance with AS1428.1 the seat and flush button is a dark blue colour to provide contrast for the user required.
 The seat must have lateral stabilisers fitted and there is no seat flap. The Life Assist toilet Seat (JB92BLK) complies with these requirements.
 The flush button must be located between 650-1100mm high in zones specified in AS1742.1. A 4m pneumatic extension tube is available as an option for the flush button to permit remote location if desired.



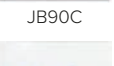
JB90B



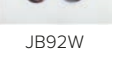
JB90C



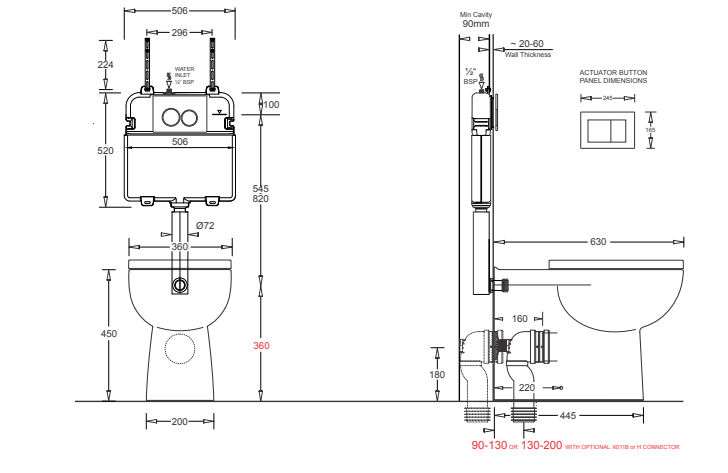
JB92W



JB92BLK



JB92BLK



HEART TOILET SUITE

FLUSH TO WALL
J2580.J2585

● Health Care

SIZE: D820 x H700
Simple easy-clean lines
Soft close/quick release seat
Flexible Set out range – 90-200mm(X011H) /
200-270mm(X011B)
Back-bottom water inlet
WELS 4 Star



LIFE TOILET SUITE

FLUSH TO WALL
J2700.J2750

● Health Care

SIZE: D765 x H680
Smart, modern styling
Soft close/quick release seat
Flexible Set out range – 90-200mm(X011H) /
200-270mm(X011B)
Back-bottom water inlet
WELS 4 Star



LIFE ASSIST FTW TOILET SUITE

FLUSH TO WALL
J2700SN.J2750SNG
(grey seat/chrome button)
J2700SN.J2750SNB
(blue seat/blue button)
J2700SN.J2750SNW
(white seat/chrome button)

● PWD
● Aged Care
● Health Care

Compliant with Disabled sections of
AS1428.1 – Design for access and mobility

SIZE: D800 x H470
Raised height pan with extended
projection for wheelchair users
Includes raised buttons, and is available
with Grey or Blue seats to assist users
with dementia or visual impairments
Seat features top fix anti-vandal stainless
steel fixings
Suitable for either back/bottom water
entry or S/P Trap set out
WELS 4 Star

> Shown with white seat and raised flush button.



TOLEDO AMBULANT XTRA FTW TOILET SUITE

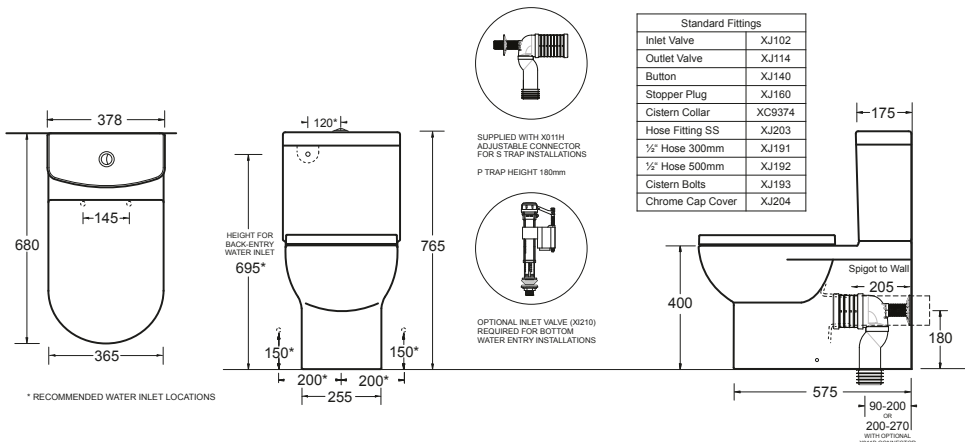
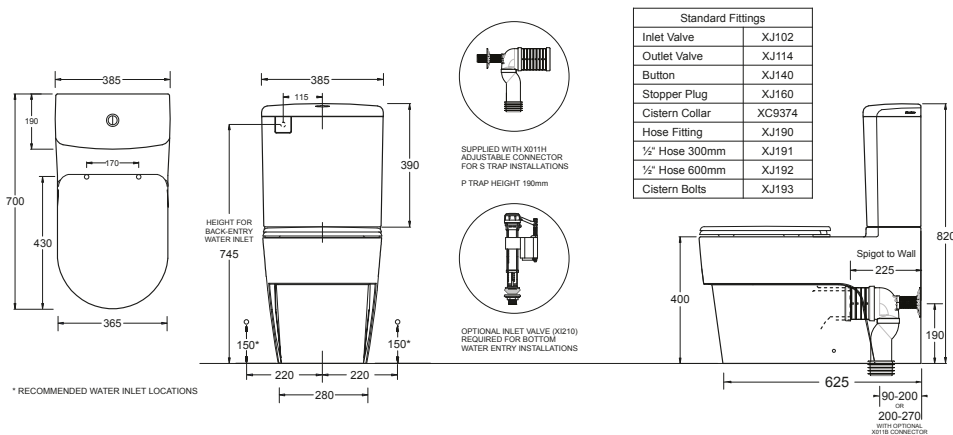
FLUSH TO WALL
J2600.J2650.DF
(double flap seat)
J2600.J2650.SF
(single flap seat)

● Ambulant
● Aged Care

Compliant with Ambulant sections of AS1428.1 –
Design for access and mobility

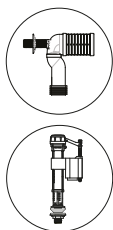
SIZE: D650 x H470
Modern flush to wall close coupled suite
with extra height SP pan
Optional single or double flap white seat
for assisted living installations
Back bottom water entry
Suitable for commercial or domestic
installations
WELS 4 Star





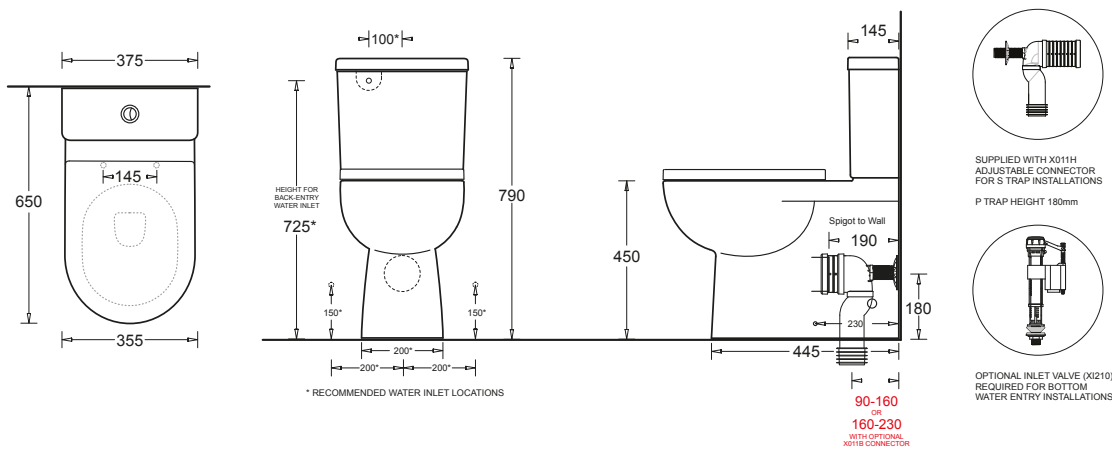
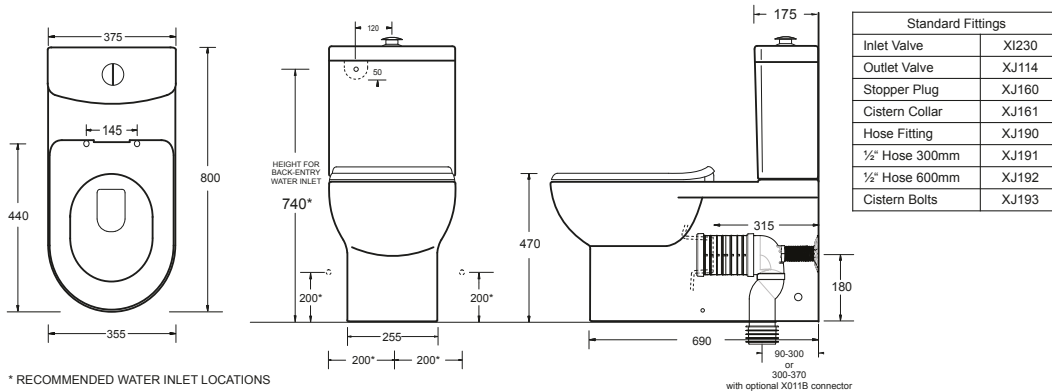
Special Note

For compliance with AS1428.1 the seat and flush button are supplied in a dark blue colour to provide contrast for vision impaired individuals. The seat also has lateral stabilisers fitted for people with ambulatory limitations and there is no seat lid. Note that the design of the installation must comply with AS1428.1(2009)-Design for access and mobility



SUPPLIED WITH X011H ADJUSTABLE CONNECTOR FOR S TRAP INSTALLATIONS. WHEN X011H IS USED, SET OUTS OVER 200mm MAY REQUIRE THE INSTALLER TO ADD A BLOCK EXTENSION TO THE WALL, ENABLE THE CONNECTOR PROP TO REACH BACK TO THE WALL.
P TRAP HEIGHT 180mm

OPTIONAL INLET VALVE (X0210) REQUIRED FOR BOTTOM WATER ENTRY INSTALLATIONS



PLAZA ASSIST DELUXE VC TOILET SUITE


LINK TOILET SUITES

J2031.J2201SNG
(grey seat/chrome button)

J2031.J2201SNB
(blue seat/blue button)

J2031.J2201SNW
(white seat/chrome button)

- PWD
- Aged Care

 Compliant with Disabled sections of AS1428.1 – Design for access and mobility

SIZE:
Extra height link suite with vitreous china cistern
Attractive stainless steel flush pipe for industrial durability
Available with Grey or Blue seats to assist users with dementia or visual impairments
Seat features top fix anti-vandal stainless steel fixings
Suitable for either back/bottom water entry
WELS 4 Star
Optional double flap seat (RB1038SC) available for assisted living applications (not AS1428.1 compliant)

> Shown with blue seat and flush button.



SELECT ASSIST DELUXE PLASTIC TOILET SUITE


LINK TOILET SUITES

J2031.RG21016SNG
(grey seat/chrome button)

J2031.RG21016SNB
(blue seat/blue button)

J2031.RG21016SNW
(white seat/chrome button)

- PWD
- Aged Care

 Compliant with Disabled sections of AS1428.1 – Design for access and mobility

SIZE:
Extra height link suite with plastic cistern
Available with Grey or Blue seats to assist users with dementia or visual impairments
Seat features top fix anti-vandal stainless steel fixings
Suitable for either L/R bottom water entry
WELS 4 Star
Optional double flap seat (RB1038SC) available for assisted living applications (not AS1428.1 compliant)

> Shown with blue seat and flush button.




PLAZA AMBULANT DELUXE VC TOILET SUITE

LINK TOILET SUITES

J2031.J2201W.DF
(double flap seat)

J2031.J2201W.SF
(single flap seat)

- Ambulant

 Compliant with Ambulant sections of AS1428.1 – Design for access and mobility

SIZE:
Extra height link suite with vitreous china cistern
Includes white standard/soft close seat with fitted plastic link
Flexible S Trap Set out range – 140-160mm
WELS 4 Star



(*Optional Anti-Vandal Kit - Not provided)




SELECT AMBULANT DELUXE PLASTIC TOILET SUITE

LINK TOILET SUITES

J2031.RG21016.DF
(double flap seat)

J2031.RG21016.SF
(single flap seat)

- Ambulant

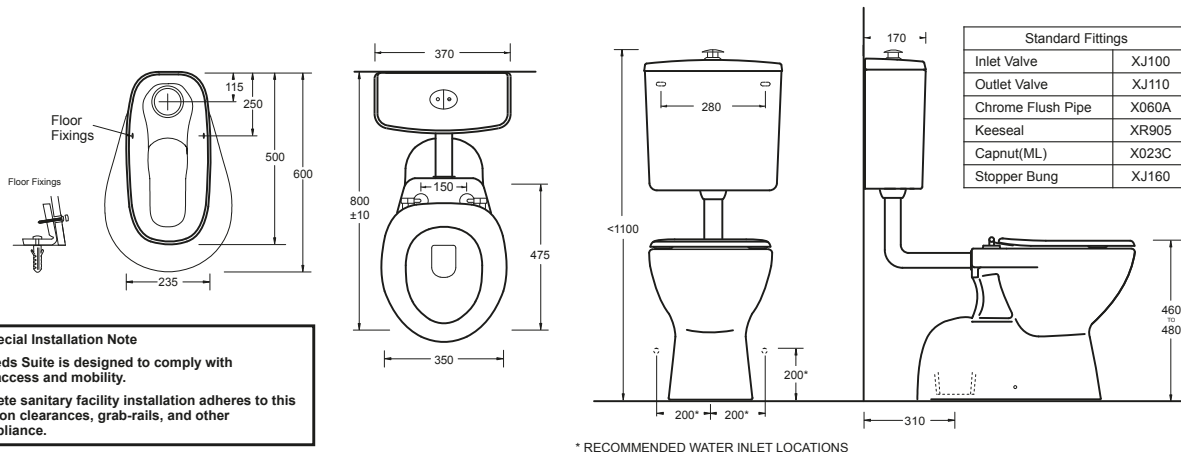
 Compliant with Ambulant sections of AS1428.1 – Design for access and mobility

SIZE:
Extra height link suite with plastic cistern
Includes white standard close seat with fitted plastic link
Flexible S Trap Set out range – 140-160mm
L/R adjustable water inlet
WELS 4 Star

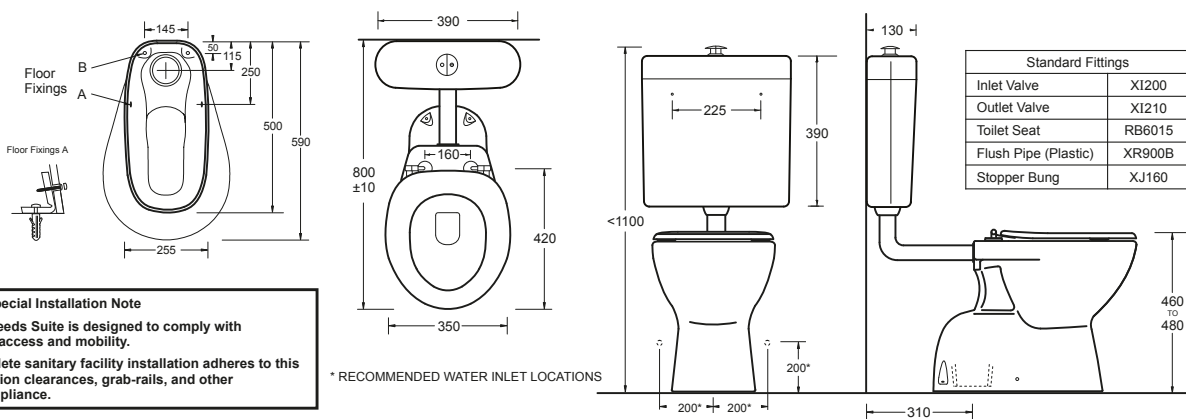


(*Optional Anti-Vandal Kit - Not provided)

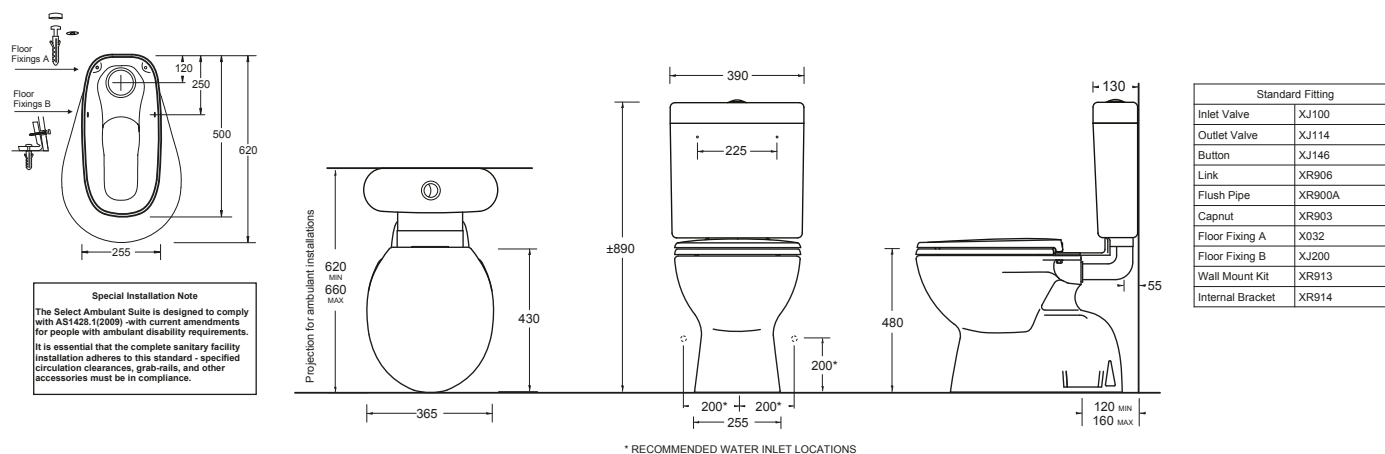
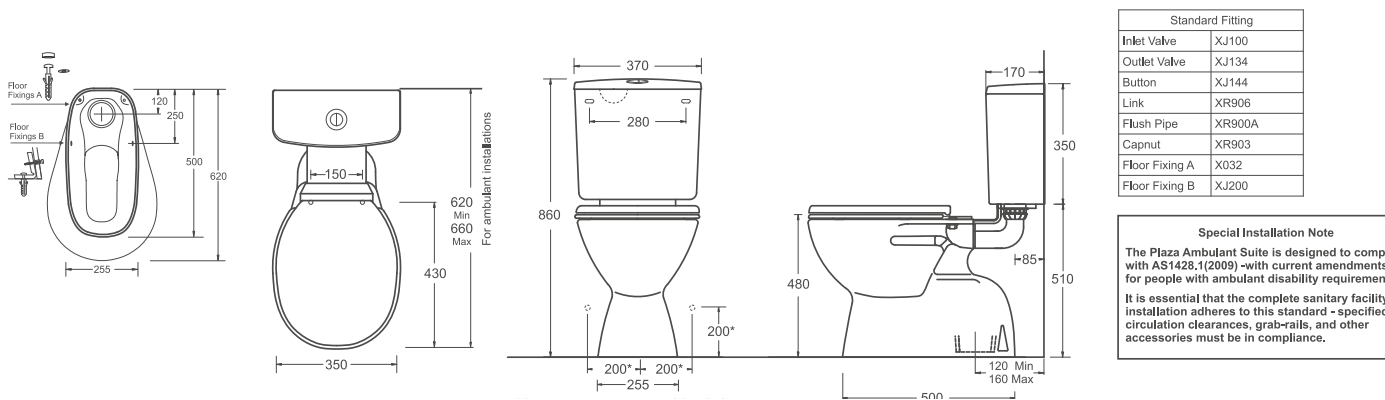




Special Installation Note
 The Plaza Assist Special Needs Suite is designed to comply with AS1428.1(2009) -Design for access and mobility.
 It is essential that the complete sanitary facility installation adheres to this standard - specified circulation clearances, grab-rails, and other accessories must be in compliance.



Special Installation Note
 The Select Assist Special Needs Suite is designed to comply with AS1428.1(2009) -Design for access and mobility.
 It is essential that the complete sanitary facility installation adheres to this standard - specified circulation clearances, grab-rails, and other accessories must be in compliance.



Special Installation Note
 The Select Ambulant Suite is designed to comply with AS1428.1(2009) -with current amendments for people with ambulant disability requirements.
 It is essential that the complete sanitary facility installation adheres to this standard - specified circulation clearances, grab-rails, and other accessories must be in compliance.

ASSIST BACKREST

BACKREST
BR1002

- PWD
- Health Care



Compliant with appropriate requirements of AS1428.1 for disabled and assisted living.

Universal design that complies with AS1428.1 when installed to instructions
 Quality 32mm stainless steel frame with cushion pad
 Robust concealed wall fixings
 Can be used with all Assist toilets



LIFE ELECTRONIC URINAL SUITE

URINAL
J6010.J6200

- Health Care

SIZE: 670 mm x 360 mm
 Practical wall-mounted single urinal with flushing solenoid and sensor supplied
 Simple urinal mounting with waste trap fitting supplied
 Back (concealed) water entry urinal
 WELS 4 Star

See full Tech Sheet for ceiling and induct installation instructions.

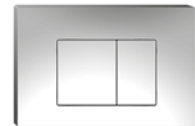


LIFE SLOP HOPPER TOILET SUITE

SLOP HOPPER
J2765.XC150.J2981

- Aged Care
- Health Care

Wall faced vitreous china slop hopper
 Sturdy stainless steel grate
 Includes dual flush mechanical in-wall cistern
 Choice of buttons styles available (see opposite page)



RECTANGLE HIGH
 Chrome: JB60C
 Matte: JB60M



CIRCLE
 Chrome: JB80C / Matte: JB80M
 Black: JB80B / White: JB80W

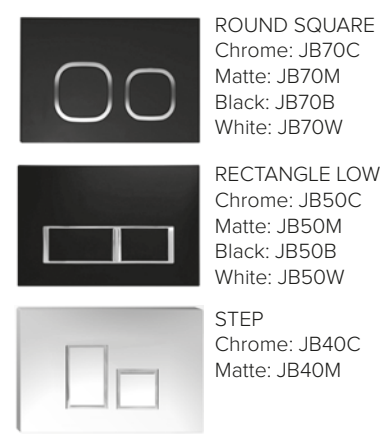
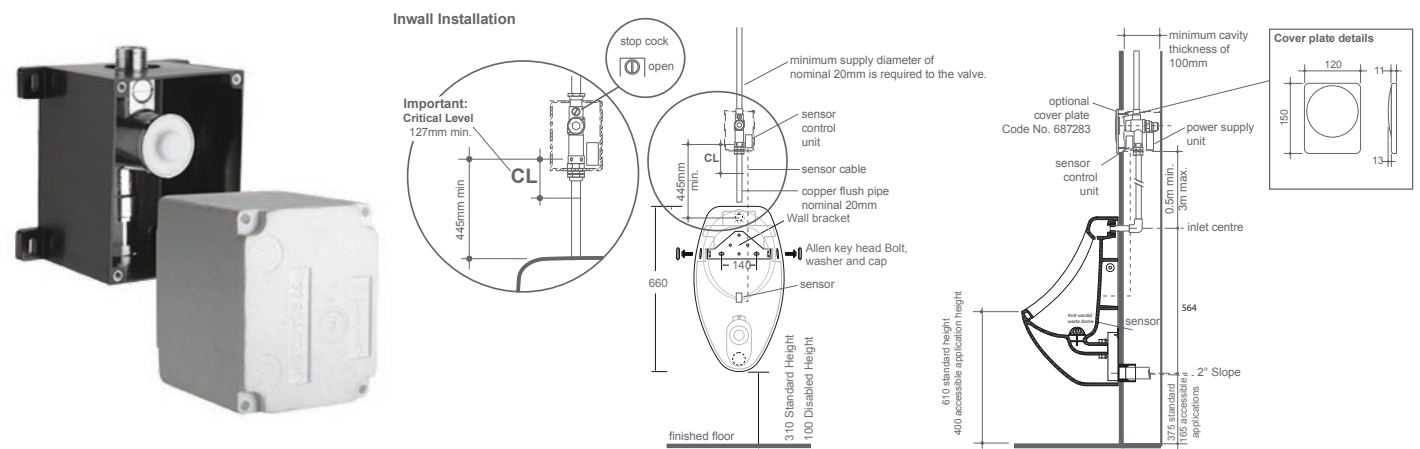
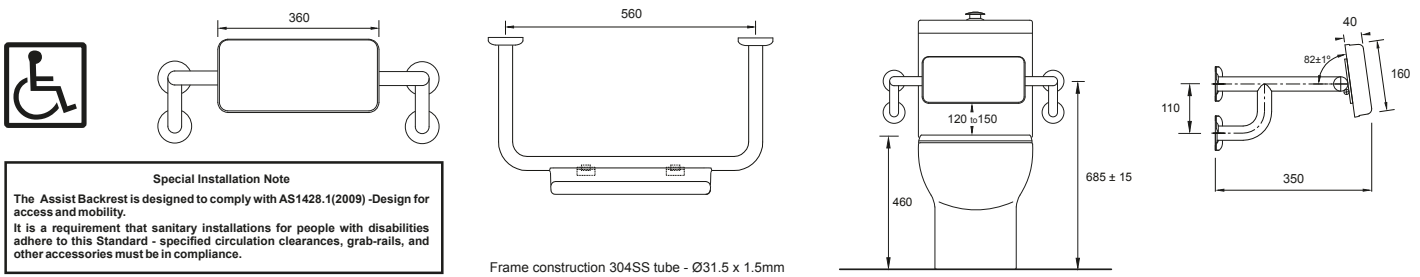
CLEANERS SINK BASIN

WALL HUNG
G1500

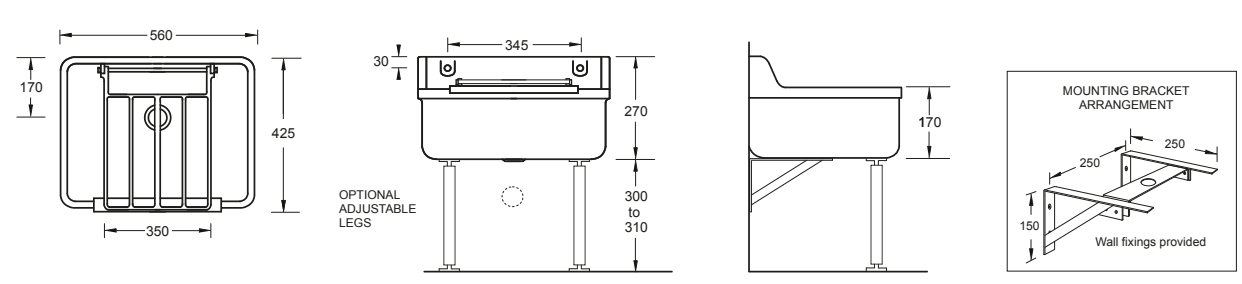
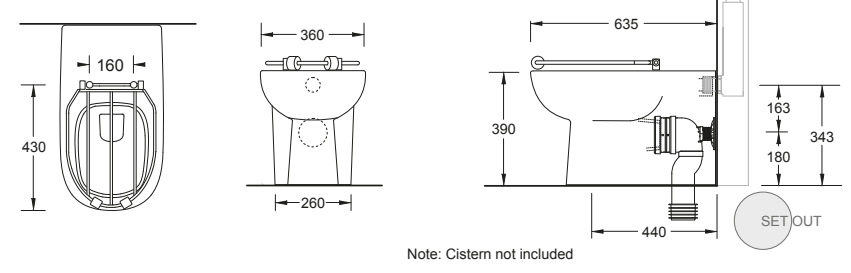
- Aged Care
- Health Care

SIZE: 560 mm x 425 mm
 Rectangular, wall mounted vitreous china cleaners sink
 Durable glaze finish
 Bucket support grate with buffer
 50mm waste supplied
 Nominal bowl capacity 24L





RECOMMENDED IN WALL CISTERNS:
 ECONOFLUSH UNFRAMED - CODE J2981
 ECONOFLUSH AIR UNFRAMED - CODE J2982



ASSIST GRAB RAIL 300MM / 600MM / 900MM

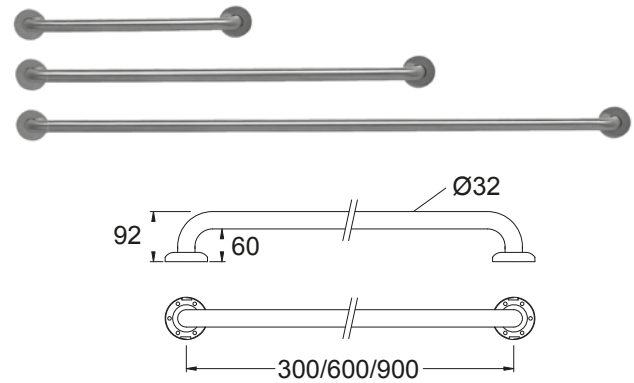
STRAIGHT GRAB RAILS
BR1030 (300mm)
BR1060 (600mm)
BR1090 (900mm)

- PWD
- Aged Care
- Health Care



Compliant with appropriate requirements of AS1428.1 for disabled and assisted living.

Functional grabrail set can be installed compliant with AS1428.1
Satin finished 32mm diameter stainless steel
Concealed wall fixings



ASSIST GRAB RAIL LEFT / RIGHT 90°

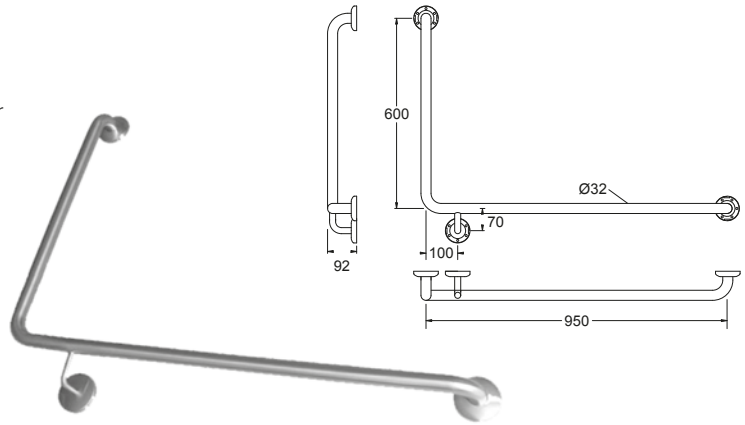
90° GRAB RAILS
BR9460L / BR9460R

- PWD
- Aged Care
- Health Care



Compliant with appropriate requirements of AS1428.1 for disabled and assisted living.

Functional grabrail set can be installed compliant with AS1428.1
Satin finished 32mm diameter stainless steel
Concealed wall fixings
Available in left or right handed options



ASSIST GRAB RAIL LH / RH 140°

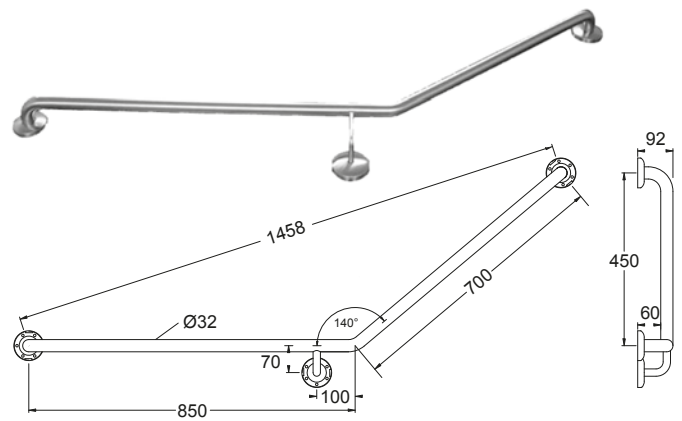
ANGLED GRAB RAILS
BR8570L / BR8570R

- PWD
- Aged Care
- Health Care



Compliant with appropriate requirements of AS1428.1 for disabled and assisted living.

Functional grabrail set can be installed compliant with AS1428.1
Satin finished 32mm diameter stainless steel
Concealed wall fixings
Available in left or right handed options



AMBULANT GRAB RAIL 90°

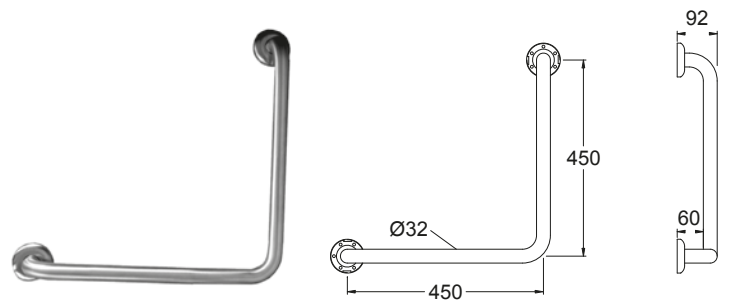
90° GRAB RAILS
BR4545

- Ambulant
- Aged Care
- Health Care



Compliant with Ambulant sections of AS1428.1 – Design for access and mobility

Functional grabrail set can be installed compliant with AS1428.1
Satin finished 32mm diameter stainless steel
Concealed wall fixings
Suitable for either LH or RH installation



GRAB RAIL 900MM / 600MM WITH SQUARE HAND SHOWER AND BRACKET

GRAB RAILS + HAND SHOWER
 CT301.31CP.313.90 (900MM RAIL)
 CT301.31CP.313.60 (600MM RAIL)

- Aged Care
- Health Care

SIZE: H132 x W50

Multi-function square shower head with 1.5m hose and wall bracket
 Satin finished 32mm Ø stainless steel grab rail with concealed wall fixings
 Inlet Pressure 50 to 750kpa
 Water temperature 80 degree max
 Shower is suitable for Assisted Living applications only, and is not compliant with disabled sections of AS1428.1 Design for Access and Mobility
 WELS 1 Star



GRAB RAIL 900MM / 600MM WITH ROUND HAND SHOWER AND BRACKET

GRAB RAILS + HAND SHOWER
 MTMS13.14.15.90 (900MM RAIL)
 MTMS13.14.15.60 (600MM RAIL)

- Aged Care
- Health Care

By marbletrend

110 mm Ø chrome-plated ABS Shower Head with silicone nozzles, hose, and wall mounted bracket
 Satin finished 32mm Ø stainless steel grab rail with concealed wall fixings
 Shower is suitable for Assisted Living applications only, and is not compliant with disabled sections of AS1428.1 Design for Access and Mobility
 WELS 1 Star



SHOWER SEAT 960

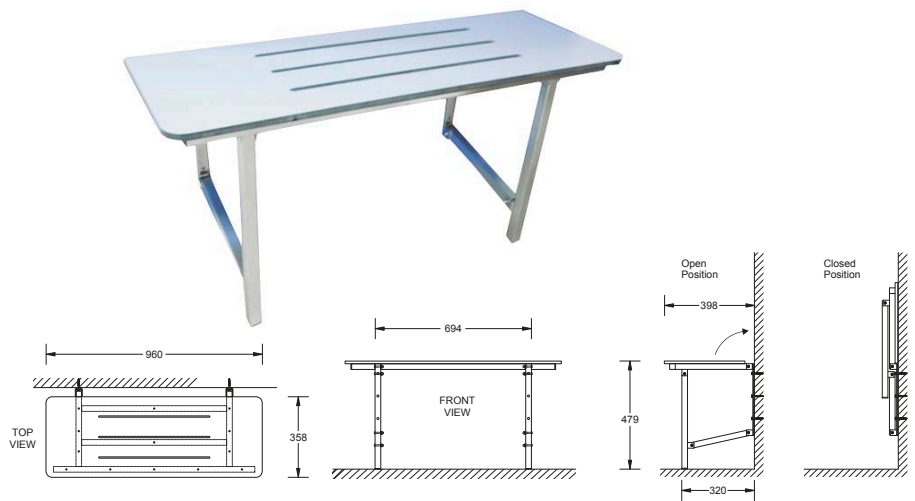
SHOWER SEAT
 JSS001

- PWD
- Aged Care

Universal design that complies with AS1428.1 when installed to instructions
 Quality stainless steel frame construction with durable self-draining plastic seat
 Folds flat to wall when not required
 Robust wall fixings



Compliant with appropriate requirements of AS1428.1 for disabled and assisted living.

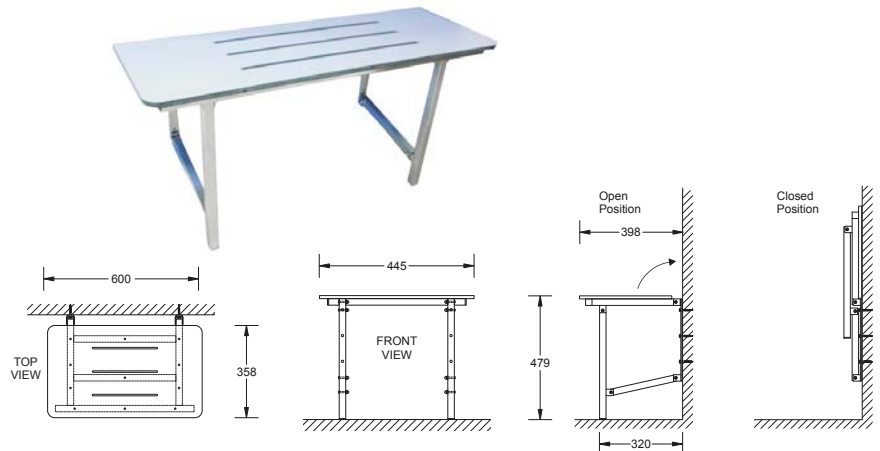


SHOWER SEAT 600

SHOWER SEAT
 JSS003

- Aged Care

Universal design suitable for assisted living installations
 Quality stainless steel frame construction with durable self-draining plastic seat
 Folds flat to wall when not required
 Robust wall fixings



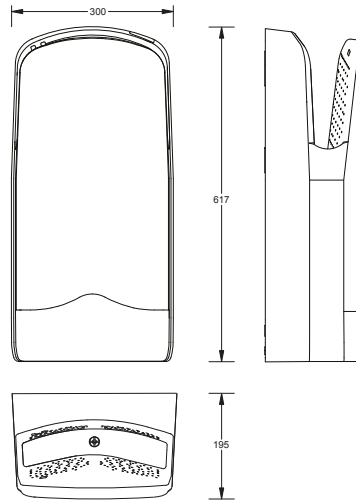
NOFER V-JET HAND DRYER

APPLIANCE
NHD01303.S

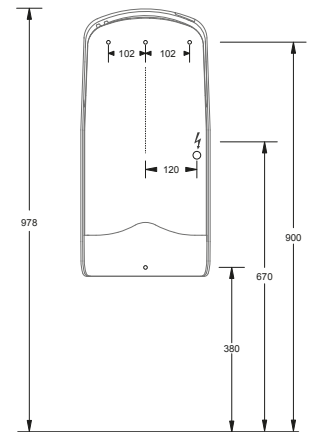
- PWD
- Health Care

SIZE: 617 x 300 x 195
Premium, high performance hand dryer
Suitable in high traffic, continuous use areas
200km/hr airflow,
70dB noise rating
Dual high speed fans 1760kW 8A

Compliant with appropriate requirements of AS1428.1 for disabled and assisted living.



RECOMMENDED INSTALLATION DETAIL



FOR SPECIAL NEEDS APPLICATIONS INSTALLATION HEIGHT DIMENSIONS SHOULD BE REDUCED BY 150mm

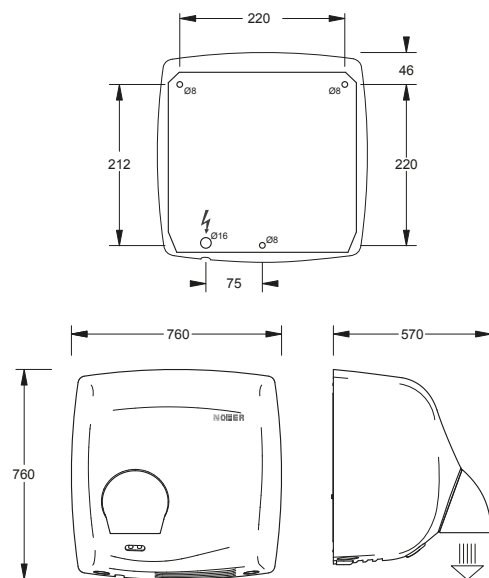
NOFER WINDFLOW HAND DRYER

APPLIANCE
NHD01151.B

- PWD
- Health Care

SIZE: 280 x 280 x 210
Compact, efficient wall-mounted hand dryer (800W)
Auto activation by sensor
117km/hr airflow,
78dB noise rating(2m)
Sturdy, vandal resistant design

Compliant with appropriate requirements of AS1428.1 for disabled and assisted living.



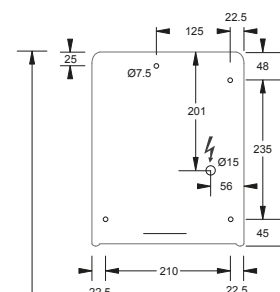
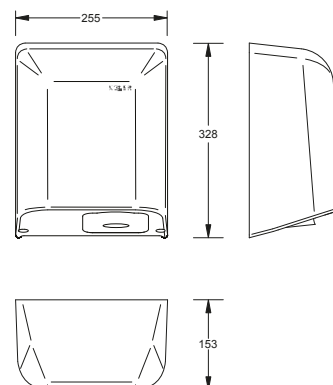
NOFER FUGA HAND DRYER WHITE

APPLIANCE
NHD01861.W

- PWD

SIZE: 255 x 328 x 153
Compact, efficient wall-mounted hand dryer (800W)
Auto activation by sensor
305km/hr airflow,
72dB noise rating(2m)
Thermostatic protection with auto-reset

Compliant with appropriate requirements of AS1428.1 for disabled and assisted living.



INSTALLATION HEIGHT:
1550 FROM FLOOR TO TOP OF UNIT

FOR SPECIAL NEEDS APPLICATIONS INSTALLATION HEIGHT DIMENSIONS SHOULD BE REDUCED BY 150mm

ELECTRONIC TAP MODUS E COLD TAPWARE

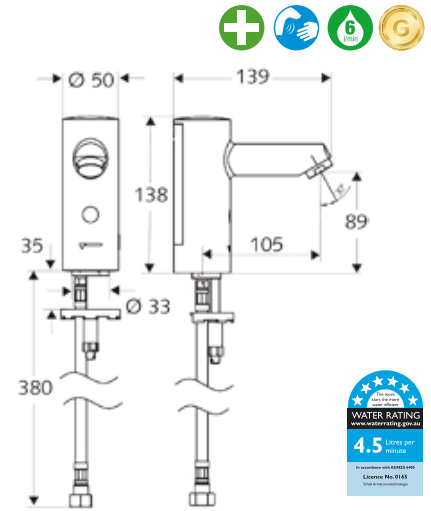
TAPWARE
JTM121C

- PWD
- Health Care

NON-CLINICAL SCRUB

SIZE: 138 x 105

Compact fixed-spout sensor activated cold/tempered water basin tap
Bright chrome finish with European quality and reliability - German engineered
Hygienic contactless IR sensor operation
Mains supply connection. Battery activation option
WELS 6 Star



Compliant with Disabled sections of AS1428.1 – Design for access and mobility



ELECTRONIC TAP MODUS E HOT/COLD TAPWARE

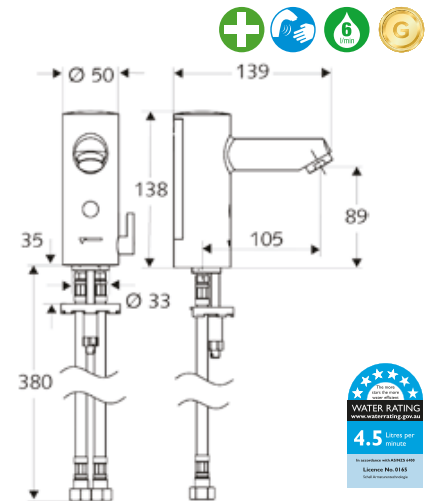
TAPWARE
JTM121M

- Health Care

STAFF CLINICAL

SIZE: 138 x 105

Compact fixed-spout sensor activated basin mixer
Bright chrome finish with European quality and reliability - German engineered
Hygienic contactless IR sensor operation
Convenient mixing lever for temperature adjustment
WELS 6 Star

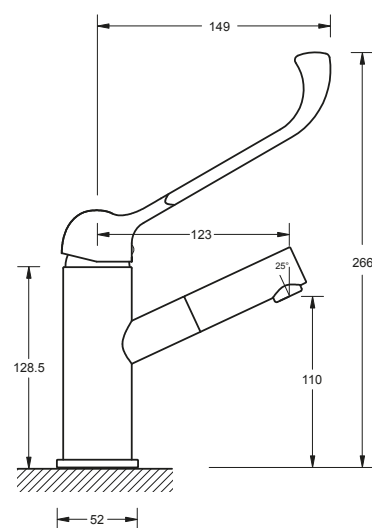
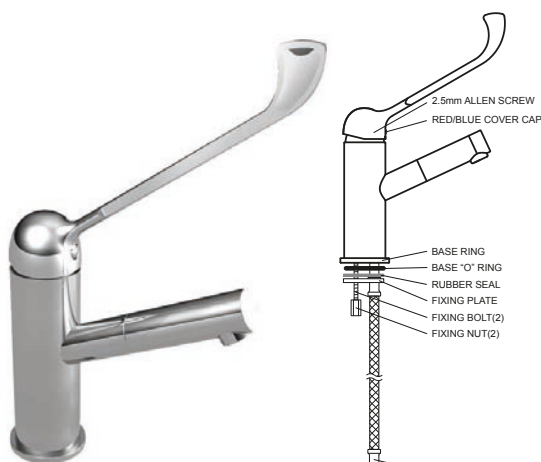


LIVING ASSIST BASIN MIXER TAPWARE

TAPWARE
JTL122

- PWD
- Aged Care
- Health Care

SIZE: 266 x 149
Special purpose mixer tap
Extended lever suitable for use
in Special Needs installations
Durable chrome finish with
DZR brass body
35mm ceramic cartridge
WELS 5 Star



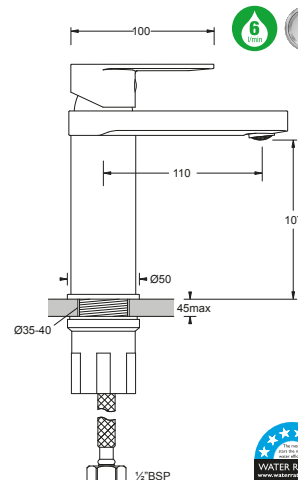
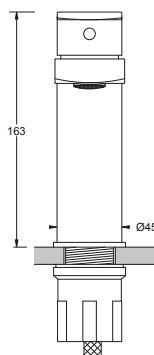
Compliant with Disabled sections of AS1428.1 – Design for access and mobility

SARDINA BASIN MIXER

TAPWARE
MTS121

- Aged Care

SIZE: 163 x 110
Attractive fixed-spout basin mixer
Single lever operation with flat lever design
Rectangular spout with aerator
Quality 35mm ceramic disc
WELS 6 Star



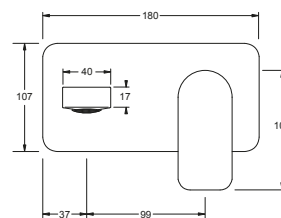
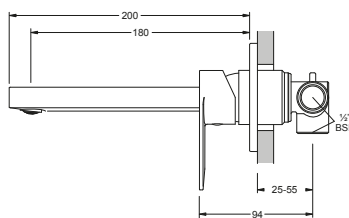
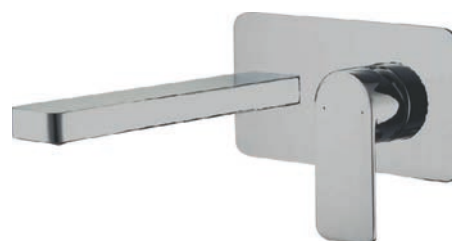
By marbletrend

SARDINA BATH/BASIN MIXER WITH SPOUT

TAPWARE
MTS505

- Aged Care

SIZE: 180 x 107 x 200
Attractive wall mounted
fixed-spout bath/basin mixer
Single lever operation with flat lever design
Rectangular spout with aerator
Adjustable wall cover plate for
different wall thicknesses



By marbletrend

SARDINA SINK MIXER SQUARE

TAPWARE
MTS423

- Aged Care
- Health Care

SIZE: 338 x 180

Attractive, tall square form
swivel-spout basin mixer

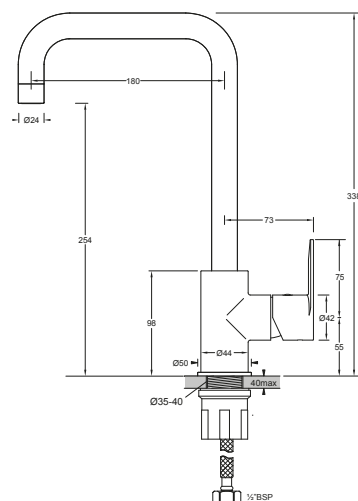
Single quarter-turn lever operation
with flat lever design

Round spout with aerator

Quality 35mm ceramic disc

WELS 5 Star

By  marbletrend



SARDINA SINK MIXER CURVED

TAPWARE
MTS403

- Aged Care
- Health Care

SIZE: 353 x 160

Attractive, tall curved form
swivel-spout basin mixer

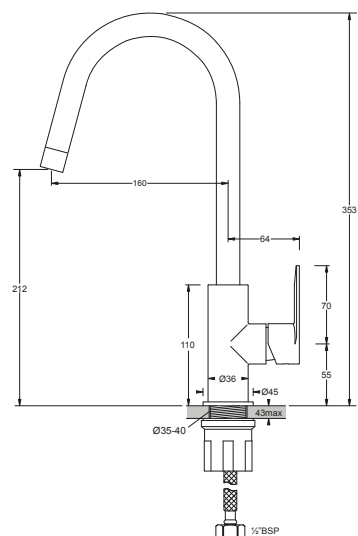
Single quarter-turn lever operation
with flat lever design

Round spout with aerator

Quality 25mm ceramic disc

WELS 5 Star

By  marbletrend



SARDINA CONCEALED SHOWER MIXER

TAPWARE
MTS705

- Aged Care
- Health Care

SIZE: 110 x 110

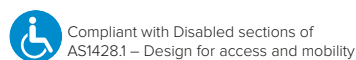
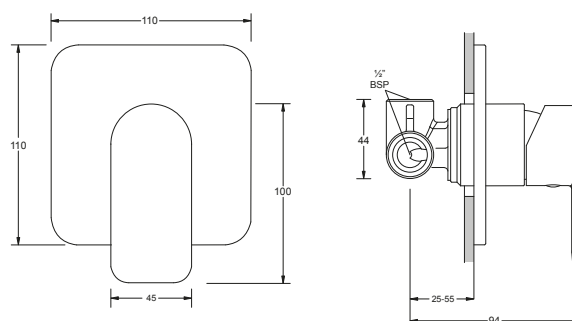
Attractive compact style concealed mixer

Single lever operation with flat lever design

Quality 35mm ceramic disc

Adjustable wall cover plate for
different wall thicknesses

By  marbletrend



LIFE ASSIST BASIN MIXER TAPWARE

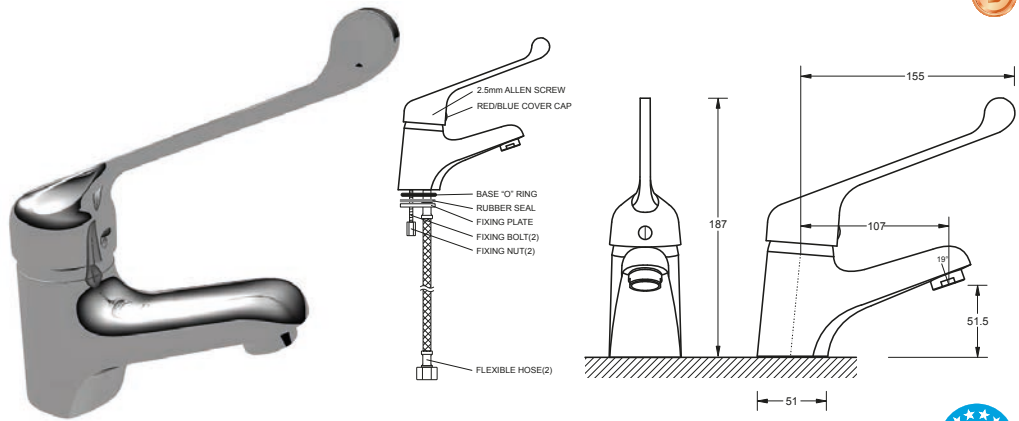
TAPWARE
JTL121

- PWD
- Aged Care

SIZE: 187 x 155

Specialty mixer tap
Extended lever suitable for use
in Special Needs installations

Durable chrome finish wth
DZR brass body
40mm ceramic cartridge
Includes unique half-turn swivel spout
WELS 5 Star



Compliant with Disabled sections of
AS1428.1 – Design for access and mobility

MADEIRA BASIN MIXER TAPWARE

TAPWARE
MTM121

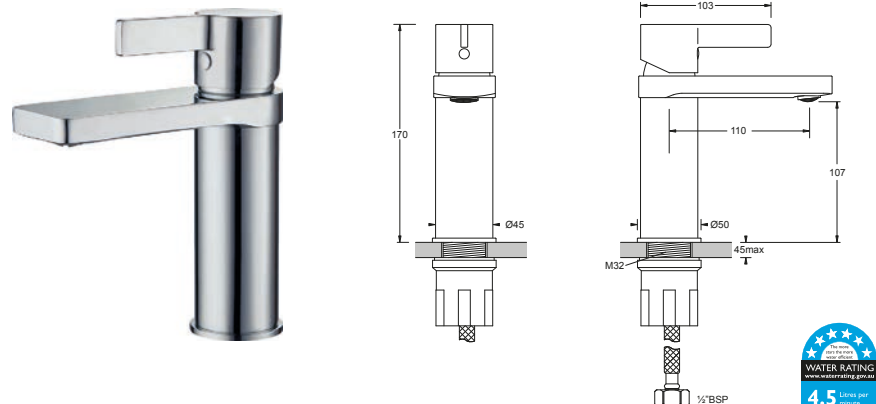
- Aged Care
- Health Care

SIZE: 170 x 110

Attractive fixed-spout basin mixer
Single lever operation with vertical lever design
Rectangular spout with aerator
Quality 35mm ceramic disc

WELS 6 Star

By marbletrend



MADEIRA BASIN SET

TAPWARE
MTM313

- Aged Care
- Health Care

SIZE: 105 x 110

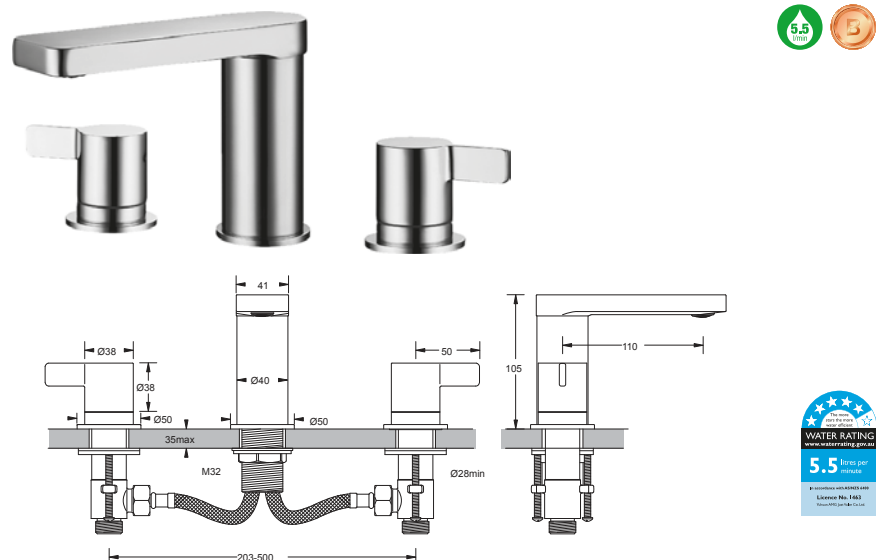
Attractive styled fixed-spout basin set
Dual quarter-turn lever activation for
hot and cold mixing

Vertical lever design style and
rectangular spout with aerator

Quality mixer cartridges

WELS 5 Star

By marbletrend



MADEIRA SINK MIXER SQUARE

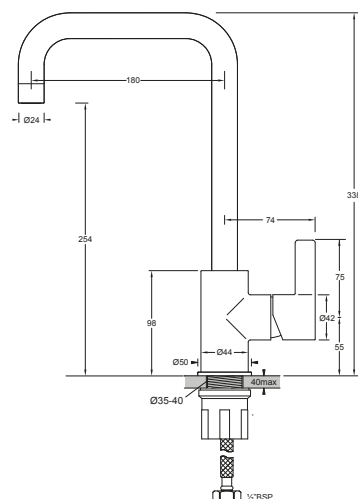
TAPWARE
MTM423

- Aged Care
- Health Care

SIZE: 338 x 180

Attractive, tall square form swivel-spout basin mixer
Single quarter-turn lever operation with vertical lever design
Round spout with aerator
Quality 35mm ceramic disc
WELS 5 Star

By  marbletrend



MADEIRA SINK MIXER CURVED

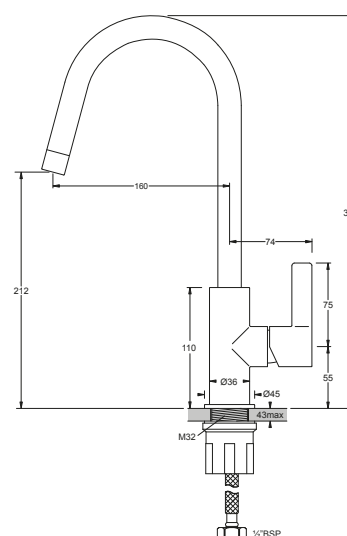
TAPWARE
MTM403

- Aged Care
- Health Care

SIZE: 353 x 160

Attractive, tall curved form swivel-spout basin mixer
Single quarter-turn lever operation with vertical lever design
Round spout with aerator
Quality 25mm ceramic disc
WELS 5 Star

By  marbletrend



MADEIRA CONCEALED SHOWER MIXER

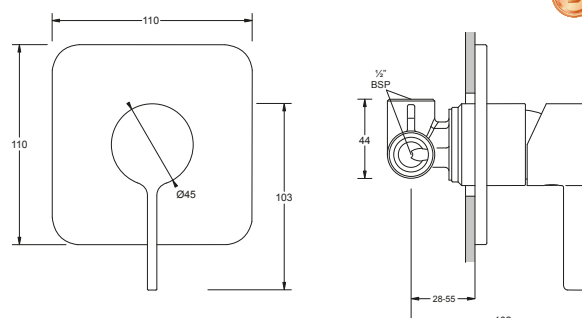
TAPWARE
MTM705


- Aged Care
- Health Care

SIZE: 110 x 110

Attractive compact style concealed mixer
Single lever operation with vertical lever design
Quality 35mm ceramic disc
Adjustable wall cover plate for different wall thicknesses

By  marbletrend



 Compliant with Disabled sections of AS1428.1 – Design for access and mobility

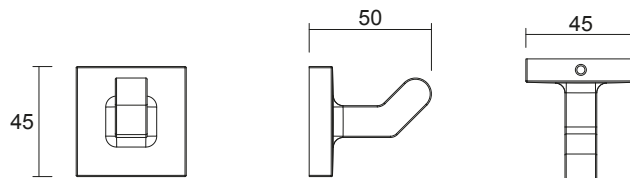
CUBE SINGLE ROBE HOOK

GDC160121

45W X 50D X 45H

- Durable chrome trim with secure DIY fixing system

- PWD
- Ambulant



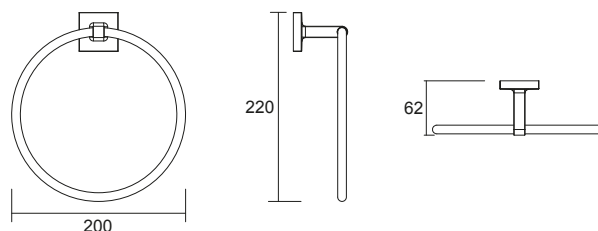
CUBE TOWEL RING

GDC160172

200W X 62D X 220H

- Durable chrome trim with secure DIY fixing system

- PWD
- Ambulant

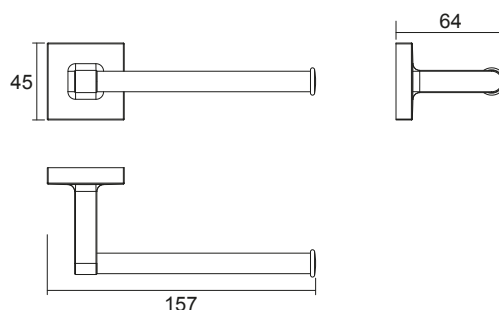


CUBE SINGLE TOILET ROLL HOLDER

GDC160156

- Durable chrome trim with secure DIY fixing system

- PWD
- Ambulant



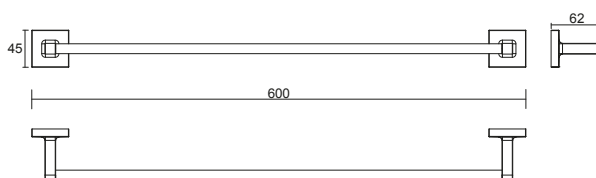
CUBE SINGLE TOWEL RAIL 600MM

GDC160165

600W X 62D X 45H

- Durable chrome trim with secure DIY fixing system

- PWD
- Ambulant



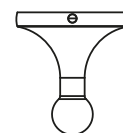
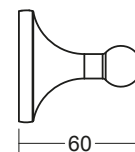
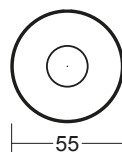
SWIFT ROBE HOOK

GDC150121

55W X 60D X 55H

- Durable chrome trim with secure DIY fixing system

- PWD
- Ambulant
- Aged Care
- Health Care



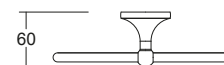
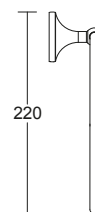
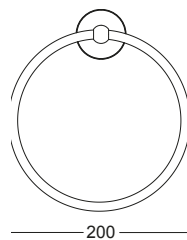
SWIFT TOWEL RING

GDC150172

200W X 60D X 220H

- Durable chrome trim with secure DIY fixing system

- Aged Care
- Health Care



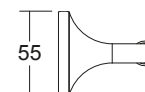
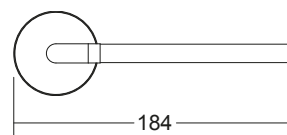
SWIFT TOILET ROLL HOLDER

GDC150156

184W X 64D X 55H

- Durable chrome trim with secure DIY fixing system

- PWD
- Ambulant
- Aged Care
- Health Care



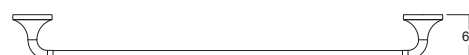
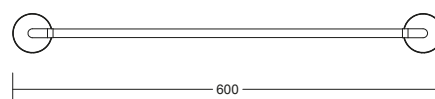
SWIFT SINGLE TOWEL RAIL 600MM

GDC150165

600W X 62D X 45H

- Durable chrome trim with secure DIY fixing system

- Aged Care
- Health Care



NATURE ROBE HOOK

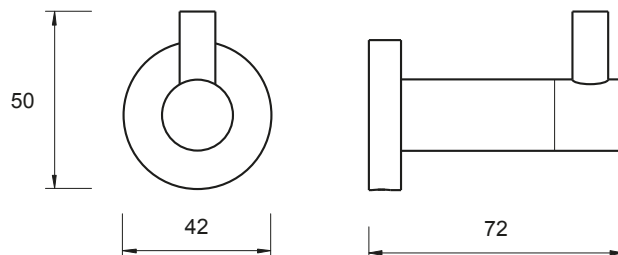
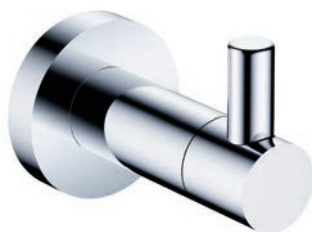
MAN310

42W X 72D X 50H

- Durable chrome trim with secure DIY fixing system

- PWD
- Ambulant
- Aged Care

By 



NATURE TOWEL RING

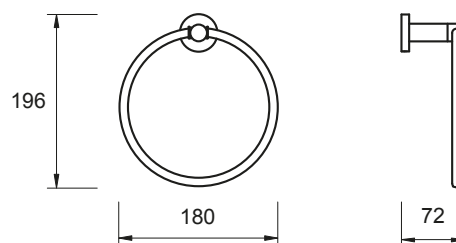
MAN004

180W X 72D X 196H

- Durable chrome trim with secure DIY fixing system

- Aged Care

By 



NATURE TOILET ROLL HOLDER

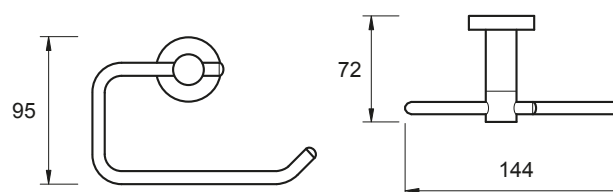
MAN011

144W X 72D X 95H

- Durable chrome trim with secure DIY fixing system

- PWD
- Ambulant
- Aged Care

By 



NATURE TOWEL BAR 600MM

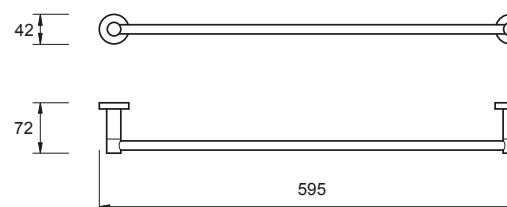
MAN001

595W X 72D X 42H

- Durable chrome trim with secure DIY fixing system

- Aged Care




By 



PRODUCT INDEX

HEALTH, AGED CARE & ACCESSIBLE

All of our commercial bathroom solutions are packaged into Gold/Silver/Bronze tiers to make it easy for you to select the most appropriate solution for the job.

 Gold - Best  Silver - Better  Bronze - Good

			PWD	AMBULANT	AGED CARE	HEALTH CARE	GOLD	SILVER	BRONZE	PAGE
ACCESSORIES	PRODUCT NAME	ITEM CODE								
ROBE HOOKS	CUBE SINGLE ROBE HOOK	GDC160121	●	●			●			34
	NATURE SINGLE ROBE HOOK	MAN310	●	●	●				●	36
	SWIFT ROBE HOOK	GDC150121	●	●	●	●		●		35
TOILET ROLL HOLDERS	CUBE SINGLE ROLL HOLDER	GDC160156	●	●			●			34
	NATURE TOILET ROLL HOLDER	MAN011	●	●	●				●	36
	SWIFT SINGLE ROLL HOLDER	GDC150156	●	●	●	●		●		35
TOWEL RACKS/RAILS	CUBE TOWEL RAIL SNG. 600	GDC160165	●	●			●			34
	NATURE TOWEL BAR 600	MAN001	●	●	●				●	36
	SWIFT TOWEL RAIL SNG. 600	GDC150165	●	●	●	●		●		35
TOWEL RINGS	CUBE TOWEL RING	GDC160172	●	●			●			34
	NATURE TOWEL RING	MAN004	●	●	●				●	36
	SWIFT TOWEL RING	GDC150172	●	●	●	●		●		35
AMBULANT/ASSIST	PRODUCT NAME	ITEM CODE								
BACKRESTS	ASSIST BACKREST	BR1002	●			●				24
GRAB RAILS	AMBULANT GRAB RAIL 90°	BR4545	●	●	●	●				26
	ASSIST GRAB RAIL L/R 90°	BR9460 L/R	●		●	●				26
	ASSIST GRAB RAIL L/R 140°	BR8570 L/R	●		●	●				26
	ASSIST GRAB RAIL STRAIGHT	BR10 30/60/90	●		●	●				26
SHOWER SEATS	SHOWER SEAT 600	JSS003	●		●					27
	SHOWER SEAT 960	JSS001			●					27
BASINS	PRODUCT	ITEM CODE								
COUNTER TOP INSET VANITY	AVON	J3040			●				●	16
	LIFE	J3040			●	●		●		14
	MILANO VANITY	J3020			●				●	16
SEMI-INSET	GEMELLI OVAL	J3242				●	●			8
	GEMELLI RECTANGLE 450	J3262				●	●			8
	GEMELLI ROUND	J3232				●	●			8
	GEMELLI SQUARE	J3252				●	●			8
SEMI-RECESSED	AVON SEMI-RECESSED	J3010	●		●				●	16
	LIFE	J3065	●		●	●		●		14
	MILANO SEMI-RECESSED	J3030			●				●	16

			PWD	AMBULANT	AGED CARE	HEALTH CARE	GOLD	SILVER	BRONZE	PAGE
BASINS	PRODUCT	ITEM CODE								
WALL HUNG	CLEANERS SINK	G1500			●	●				24
	COMO	J3180			●			●		16
	EMILIA 450	J3140	●		●			●		12
	EMILIA 550	J3142	●		●			●		12
	EMILIA 600	J3144	●		●			●		12
	LIFE	J3070			●			●		14
	LIVING ASSIST	C0154	●					●	●	14
	LUCCA LHS / RHS	J3170L / J3170R			●		●			12
	LUCCA ASSIST + OVERFLOW	J3170L/R + J3168	●		●	●	●			6
	QUADO 450	J3160	●				●			10
	QUADO 550	J3162	●				●			10
	QUADO 600	J3164	●				●			10
	QUADO 800	J3166	●				●			10
	TYPE A WALL BASIN	J3090			●	●	●			6
	TYPE B WALL BASIN	J3092	●		●	●	●			6
	TYPE C WALL BASIN	J3094			●	●	●			6
HAND DRYERS	PRODUCT	ITEM CODE								
	NOFER FUGA (WHITE)	NHD01861.W	●						●	36
	NOFER V-JET	NHD01303.S	●			●	●			36
	NOFER WINDFLOW	NHD01151.B	●			●		●		36
TAPWARE	PRODUCT	ITEM CODE								
BASIN MIXERS	LIFE ASSIST BASIN MIXER	JTL121	●		●				●	32
	LIVING ASSIST BASIN MIXER	JTL122	●		●	●		●		30
	MADEIRA BASIN MIXER	MTM121				●			●	32
	MADEIRA BASIN SET	MTM303				●			●	32
	SARDINA BASIN MIXER	MTS121	●		●			●		30
BATH/BASIN MIXERS	SARDINA MIXER + SPOUT	MTS505	●		●			●		30
BATH/SHOWER MIXERS	MADEIRA CONCEALED SHOWER MIXER	MTM705				●			●	33
	SARDINA CONCEALED SHOWER MIXER	MTS705	●		●	●		●		31
ELECTRONIC TAPS	MODUS E COLD	JTM121C	●			●	●			29
	MODUS E HOT/COLD	JTM121M				●	●			29

			PWD	AMBULANT	AGED CARE	HEALTH CARE	GOLD	SILVER	BRONZE	PAGE
TAPWARE	PRODUCT	ITEM CODE								
SINK MIXERS	MADEIRA SINK MIXER CURVED	MTM403			●				●	33
	MADEIRA SINK MIXER SQUARE	MTM423			●				●	33
	SARDINA SINK MIXER CURVED	MTS403	●		●	●		●		31
	SARDINA SINK MIXER SQUARE	MTS423	●		●	●		●		31
TOILET SUITES	PRODUCT	ITEM CODE								
FLUSH TO WALL	HEART FTW	J2580.J2585	●			●		●		20
	LIFE ASSIST FTW	J2700SN	●			●		●		20
	LIFE FTW	J2700.J2750	●			●		●		20
	TOLEDO AMBULANT XTRA	J2600.J2650		●				●		20
LINKED	CIVIC AMBUANT ANTI-VANDAL									24
	PLAZA AMBULANT DELUXE VC	J2031.J2201W.XX		●					●	22
	PLAZA ASSIST DELUXE VC	J2031.J2201SN.X	●		●				●	22
	SELECT AMBULANT DELUXE	J2031.RG21016.XX		●					●	22
	SELECT ASSIST DELUXE	J2031.RG21016SNX	●		●				●	22
SLOP HOPPER	LIFE SLOP HOPPER	J2565.XC150			●	●				24
URINAL	LIFE ELECTRONIC URINAL	J6010.J6200				●				24
WALL FACED	LIFE ASSIST ECONOFLUSH AIR	J2775.J2982.X	●			●			●	18
WALL HUNG	HEART ECONOFLUSH	J2570.J2982	●			●			●	18
	LIFE ECONOFLUSH	J2765.J2982	●			●			●	18
	TOLEDO ECONOFLUSH	J26.85.J2982	●			●			●	18

JohnsonSuisse

Bathroom Solutions

2/97 Banksia Street, Botany NSW 2019 | T 1300 717 717 | F 1300 746 480
bpa.commercial@johnsonsuiss.com.au | www.johnsonsuiss.com.au/commercial
Bathroom Products Australia Pty Ltd ABN 87 079 297 617
SHOWROOM: 31 Koornang Road, Scoresby VIC 3179 Australia | T 1300 717 717 | F 1300 746 480

All sales and product enquiries to the National Call Centre on 1300 717 717

Material and design specifications subject to change without notice.
Product colour reproduction is as near to actual product colour as production methods allow.
This brochure relates to Australian products only and some product, design or specifications may differ in other countries.