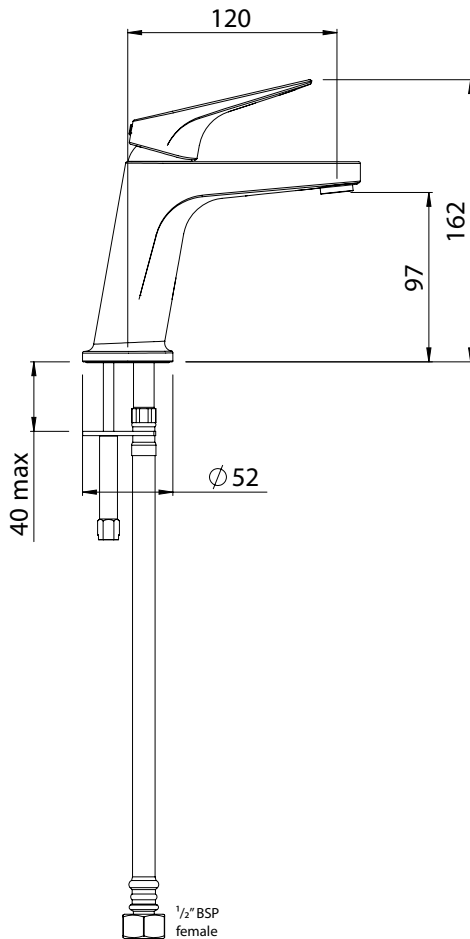


01-8505
MAKU BASIN MIXER



FINISH: Chrome

CONSTRUCTION: Brass
CARTRIDGE TYPE: 25mm
SUPPLY: Mains Pressure
CONNECTIONS: 1/2" BSP Female
WORKING PRESSURES: 150 - 500 kpa
OPERATING TEMPERATURE: 5°C to 70°C*

*Refer AS/NZS 3500

- 25mm ceramic disc cartridge
- Solid easy-to-grip handle
- Solid brass construction for longevity
- Adjustable Stream Direction Aerator with slim stream flow director
- Integrated base ring eliminates potential build-up of dirt, making cleaning easier
- Stainless steel flexible hoses - 1/2" BSP female
- Suitable for mains pressure installation
WELS 4 Star, 7.5l/min

THE METHVEN GUARANTEE. For total peace of mind, all domestic tapware products include a 15 Year Parts and Labour Guarantee. For commercial installations, a Five Year Guarantee on Parts and Labour and a 10 Year Guarantee on Cartridge Replacements applies. For full terms and conditions, visit www.methven.com.