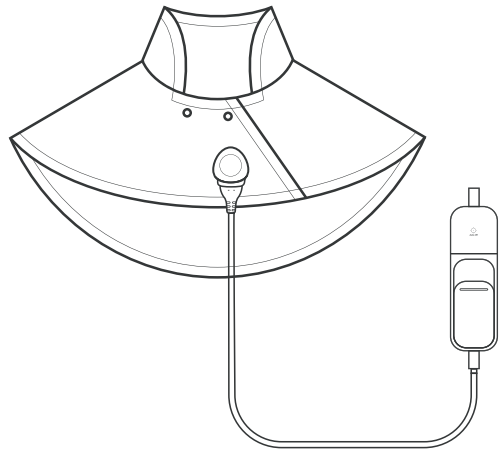


cosihome[®]

INSTRUCTION MANUAL



MODEL HP-02

Heated Pad

IMPORTANT INSTRUCTIONS
- RETAIN FOR FUTURE USE

CONTENTS

Safety Instructions.....	Page 3
Specification.....	Page 6
Symbols Explained	Page 7
Parts	Page 7
Operating Instructions.....	Page 8
Cleaning and Storage.....	Page 8
Recycling and Disposal.....	Page 10

cosihome[®]

**HEATED PAD
MODEL HP-02**

Thank you for choosing to purchase a product from Cosi Home. Please read the entire manual carefully prior to first use and keep in a safe place for future reference.

SAFETY INSTRUCTIONS

PLEASE READ AND SAVE THESE IMPORTANT SAFETY INSTRUCTIONS

When using electrical appliances, basic safety precautions should always be followed to reduce the risk of fire, electric shock, and injury to persons, including the following:

⚠ WARNING: KEEP AWAY FROM FIRE OR FLAMMABLE MATERIALS.

⚠ WARNING: TO AVOID THE RISK OF ELECTRICAL SHOCK, FIRE OR INJURY TO PEOPLE, ALWAYS MAKE SURE THE APPLIANCE IS UNPLUGGED FROM THE ELECTRICAL OUTLET BEFORE RELOCATING, SERVICING, OR CLEANING IT.

⚠ CAUTION: PROLONGED USE OF THE APPLIANCE AT A HIGH TEMPERATURE SETTING COULD LEAD TO SKIN BURNS. DO NOT USE FOR EXTENDED PERIODS OF TIME.

⚠ CAUTION: IF YOU FEEL UNWELL WHILE USING THIS APPLIANCE, TURN OFF THE APPLIANCE IMMEDIATELY.

- Use this appliance only as described in this manual. Any other use not recommended by the manufacturer may cause fire, electric shock, or injury to persons.
- The appliance is not to be used by persons (including children) with reduced physical, sensory or mental capabilities, or lack of experience and knowledge, unless they have been given supervision or instruction.
- Not to be used by persons insensitive to heat and other very vulnerable persons.
- Children must be supervised not to play with the appliance.
- Children of less than 3 years must NOT use the appliance due to their inability to react to overheating (Fig 1.).

- This appliance is not to be used by young children, unless the controls have been pre-set by a parent or guardian, or unless the child has been adequately instructed on how to operate the controls safely.
- Children of less than 3 years should be kept away unless continuously supervised.
- Do not leave children alone or unattended in the area where the appliance is in use.
- Cleaning and user maintenance shall not be made by children unless continuously supervised.
- Do not insert pins or sharp objects into the pad (Fig 2.).
- Do not use the pad when folded or creased (Fig. 3).
- The appliance can be used by children older than 3 years and younger than 8 years under supervision and with the control always set to minimum temperature value.
- The cable and control unit of the appliance can give rise to risks of entanglement, strangulation, tripping or treading if not correctly arranged. The user shall make sure that excess ties and electric cords shall be arranged in a safe way.
- Do not cover or trap the controller under pillow, mattress, or blanket.
- Do not place the controller under the pad whilst in use. Heat can damage the controller.
- Do not use the pad when it is wet, damp or in close proximity to water.
- Do not operate the pad controller or touch the power lead with wet hands.
- Only operate the pad with the detachable controller supplied.
- Do not use the pad whilst sleeping.
- Prolonged use of the heating pad at a high temperature setting could lead to skin burns. Do not use for extended periods of time.
- This appliance is intended for indoor household use and similar applications. Do not use outdoors.
- Not intended for medical use in hospital.
- Do not use this appliance on any parts of the body that are swollen, injured, or inflamed.
- If you have any medical conditions or concerns, consult your doctor before using this appliance.
- If you experience persistent muscle or joints pain, please inform your doctor. Persistent pain can be a symptom of an illness.
- If you experience any pain or discomfort while using the appliance, stop using it immediately.
- Never leave the appliance unattended while in use. Always turn the appliance off and unplug when not in use.
- Always switch OFF, disconnect from the mains power supply, and allow the pad to fully cool down before cleaning or storage.
- Always disconnect the controller and power lead from the pad before washing.
- Do not expose the product to direct sunlight.
- Do not expose the controller or power lead to any moisture.
- Avoid placing the power cord in areas where it can become a tripping hazard.
- To avoid a circuit overload when using this appliance, do not operate another high-wattage appliance on the same electrical circuit.
- Avoid using extension leads where possible as they may overheat and cause a risk of fire.
- Do not use this appliance with an external programmer, timer switch or any other device which would switch the device on automatically unless this has already been pre-built into the appliance by the manufacturer.
- Do not kink or wrap the power cord and plug around the appliance, as this may cause the insulation to weaken or split, particularly where it enters the appliance.
- When storing the appliance, allow it to cool down before folding.
- Do not crease the appliance by placing items on top of it during storage.
- Ensure the mains cable is

fully extended before use and arrange it so that it is not in contact with any part of the appliance.

- Do not pull on the mains cable. Never move, carry or hang the appliance by the mains cable.
- Do not operate the appliance if there are signs of damage to the appliance, power cord, or any of the accessories.
- If the supply cord is damaged, it must be replaced by the manufacturer, its service agent, or a similarly qualified person in order to avoid a hazard.
- Do not attempt to repair or adjust any electrical or mechanical elements in the appliance. Doing so may be unsafe and will void your warranty.
- Ensure that the mains supply (including voltage, frequency, and power) complies with the rating label of the appliance.
- Examine the appliance frequently and return to the supplier if it has been misused or damaged.
- Do not crease the appliance by placing items on top of it during storage.

- When storing the appliance, allow it to cool down before folding.
- The appliance can be used by children older than 3 years and younger than 8 years under supervision and with the control always set to minimum temperature value.
- The cable and control unit of the appliance can give rise to risks of entanglement, strangulation, tripping or treading if not correctly arranged. The user shall make sure that excess ties and electric cords shall be arranged in a safe way.
- Do not use by persons insensitive to heat and other very vulnerable persons.
- Always unplug the appliance when not in use.
- Do not use the appliance when folded or creased.
- Do not place the controller under the appliance whilst in use. Heat can damage the controller.
- Do not immerse the appliance in water.
- If you experience any pain or discomfort while using the appliance, stop using

it immediately.

- Keep the appliance out of reach of children and pets.
- Do not wipe or wash the device with chemical solvents. Prior to cleaning ensure the device is off.
- Do not use this appliance near water or in the immediate surroundings of a bath, shower, or a swimming pool. Never place the appliance where it may fall into a bathtub or other water container.
- Always plug the appliance directly into a wall socket. Avoid using extension leads where possible as they may overheat and cause a risk of fire.



(Fig.1)



(Fig.2)



(Fig.3)

SPECIFICATION

- Product Dimensions: 60 x 62cm
- Voltage: 220-240V~
- Frequency: 50Hz
- Power Input: 100W
- Net Weight: 0.56kg
- Gross Weight: 0.75kg
- Temperature Settings: 3
- Automatic Switch Off: After approximately 90 minutes

SYMBOLS EXPLAINED



Hand Wash Only



Do Not Tumble Dry



Do Not Iron



Do Not Use Folded



Read Instruction Manual



Equipment complies with the applicable EU safety requirements and directives.



Class II Double Insulated Equipment



Do Not Bleach



Do Not Dry Clean



Do Not Insert Pins



Not to be used by children ages 3 or younger



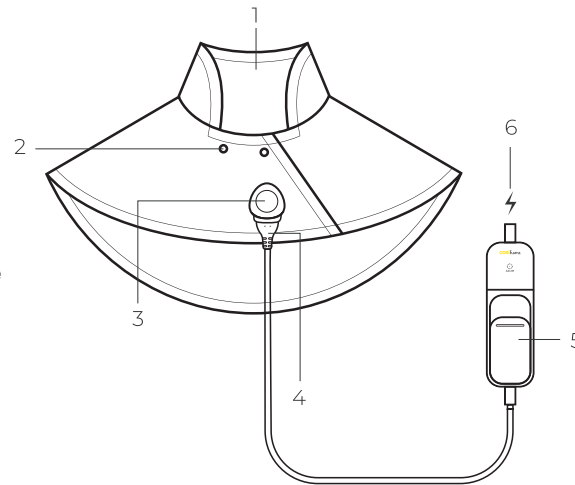
Designed for Indoor Use Only



Equipment complies with the applicable UK safety requirements and regulations

PARTS

1. Heated pad
2. Snap fasteners
3. Power inlet
4. Power connector
5. Controller
6. Power plug

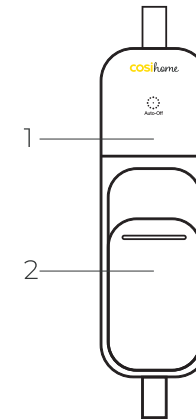


OPERATING INSTRUCTIONS

⚠ WARNING: DO NOT SIT ON THE HEATED PAD. INSTEAD, REST THE PAD ON OR AGAINST THE PART OF THE BODY TO BE TARGETED. THE INTENDED USE OF THE PAD IS TO TREAT ONLY BACK, NECK AND LEGS.

Note: the heated pad may smell of plastic the first time you use it, this will subside after a short period of time.

Controller



1. Heat level display
2. Power/Heat level switch

Controls

Once you have connected the controller to the pad by plugging the power connector into the power inlet, plug the power plug to the closest power socket.

Use the power/heat level switch to turn the appliance ON and select the desired heat level.

The position are as follows:

- Lowest position – Off

- Second position – Level 1 – Low
- Third position – Level 2 – Medium
- Highest position – Level 3 – High

The heat level display will illuminate and indicate what heat level is selected when the heated pad is on.

Automatic switch-off

The heated pad is equipped with an automatic switch-off function. This turns the unit off after approximately 90 minutes of operation, regardless of the heat level selected.

To turn your device back on, slide the power/heat level switch to the OFF position. You can then proceed to reselecting the desired heat level.

If you are not going to use the heated pad after the automatic switch-off, please switch off the heated pad and unplug the controller from the power socket.

Note: For continuous use, we recommend using on level 1.

CLEANING & STORAGE

⚠ WARNING: ALWAYS TURN THE APPLIANCE OFF, UNPLUG THE POWER CORD FROM THE ELECTRICAL OUTLET AND ALLOW THE APPLIANCE TO COMPLETELY COOL DOWN BEFORE HANDLING, CLEANING OR STORING. ALWAYS DISCONNECT THE CONTROLLER AND THE POWER LEAD FROM THE PAD BEFORE WASHING. DO NOT ALLOW WATER OR

OTHER LIQUIDS TO COME INTO CONTACT WITH THE REMOTE CONTROL OR THE MAINS POWER PLUG.

⚠ CAUTION: DO NOT CONNECT THE APPLIANCE TO THE POWER SUPPLY TO DRY IT. DO NOT DRY THE APPLIANCE IN THE SUN OR USE AN IRON TO DRY IT AS THIS WILL DAMAGE THE INSULATION LAYER OF THE APPLIANCE.

⚠ CAUTION: DO NOT USE ANY ABRASIVE CLEANERS OR SOLVENTS AS THIS CAN DAMAGE THE APPLIANCE.

- Do not attempt to clean the appliance in any other way than that detailed by the manufacturer

Cleaning

1. The heated pad is equipped with a detachable controller. Ensure the controller is disconnected from both the mains power and the heated pad and left in a safe, dry place, out of reach of children.
2. Hand wash only using a mild washing powder and warm water

(maximum 30°C).

Note: This appliance is not suitable for machine wash. Do not use any abrasive cleaners or solvents, as this will damage the pad.

3. Soak the pad for 5 minutes and gently wash and rinse thoroughly in clean water to remove all the detergent.
Note: Never wring the pad after it has been washed.
4. Air dry the pad. We recommend you lay the pad flat on a moisture-absorbent towel or mat and allow it to dry naturally.
Note: Do not peg on the wired areas of the pad as this will damage the internal circuit.

5. Always ensure the pad is completely dry before connecting the controller and using the pad.
Note: Do not connect the pad to the power supply in order to dry it. Do not dry the pad in the sun or use an iron to dry it as this will damage the insulation layer of the pad.

Storage

To store your Heated Pad, we recommend using the original or similar size box. Store the appliance in a safe, dry place, out of reach of children when not in use.

Note: When storing the appliance, allow it to cool down before carefully folding. Do not crease the appliance by placing items on top of it during storage. Do not kink or wrap the power cord and plug around the pad, as this may cause the insulation to weaken or split, particularly where it enters the appliance.

RECYCLING AND DISPOSAL

Waste electrical and electronic products (WEEE), batteries, accumulators and packaging should not be disposed of with general household waste. This is to prevent possible harm to the environment and human well-being and to help conserve our natural resources. Most electrical products with a plug, battery, or cable can be recycled. Contact your local council, household waste disposal service, or the store where you purchased the product for information regarding the collection schemes in your area.



Waste Electrical and Electronic Equipment (WEEE)

This symbol on the product and/or packaging indicates that Waste Electrical products (WEEE) under Directive 2012/19/

EU which governs used electrical and electronic appliances, should not be disposed of with general household waste.



The Mobius Loop

This symbol indicates that the product or packaging is capable of being recycled.

Take-Back Scheme

Waste electrical products (WEEE) can be sent to One Retail Group for recycling and disposal when you purchase a new product from One Retail Group, on a like-for-like basis. For more information on how to recycle this product please visit www.cosihome.com

The end-user of electrical and electronic products (WEEE) is responsible for separating old batteries and lamp bulbs before they are handed over to a designated disposal and recycling service. Waste batteries can also be disposed of in collection bins, which can be found in most local supermarkets and household waste recycling centres.

cosihome®

One Retail Group, Ryland House,
24a Ryland Road, London, NW5 3EH, United Kingdom

EU Authorised Representative: Brandrep Limited,
The Black Church, St Mary's Pl N, Dublin, D07 P4AX, Ireland

www.cosihome.com

© Copyright 2023