

Features

- **Standardized Housing and Software**
The *IR VANDAL DOME series* uses a common housing and software across four different models. All cameras share the same mounting options, connections, software, IR illumination range with 4 different imager resolutions to ease installation and training.
- **IP MEGA-PIXEL Imagers**
Four (4) different MEGA-PIXEL imagers (2MP, 3MP, 4MP, 5MP) all with the same connection format and software configuration provides flexibility in resolution and pricing while maintaining consistency in installation and function.
- **Broad Temperature Range / IP Rating**
-40°C ~ +60°C and IP66 enables outdoor installation in virtually all environments around the world.
- **Analog Video Output**
Analog video output enables installation alignment and focusing with handheld test monitor.
- **Dual Voltage**
All cameras support either 12VDC and/or PoE for IP Cameras models making upgrading systems easy.
- **IR Illumination**
Built-in 30 Meter IR illuminators on all imager types
- **ONVIF**
All cameras are ONVIF 2.4 compliant for use with any ONVIF 2.4 compliant Network Video Recording Software Solution.
- **Internal Storage**
Micro SD Card slot for internal storage.
- **Alarm**
Built-in Alarm input and Relay output to trigger recording from external sensor and control external devices (lights, siren, etc.)
- **Audio**
Audio input and Output enabled two-way communications via IP Camera
- **Dual IR Cut Filter**
Dual IR Cut Filter for day and night operations with or without IR illuminators.
- **Three Axis Gimbal**
Three Axis Gimbal combined with digital video mirror in horizontal and vertical enables mounting on an angle surface.

IR VANDAL DOME Series

...From Patronus Labs



Overview

Patronus Labs offers an exclusive selection PoE and 12VDC powered Vandal Dome cameras with 4 resolutions and MJPEG, H.264 and industry leading **H.265 compression**. This diversity ensures a comprehensive ability to meet the functionality needs of virtually any customer required resolution, lighting/temperature environment and technology. The range in resolution provides a range of pricing and functionality for virtually any budget. Standardized mounting and connections mean reduced training costs, reduced installation time, and reduced inventory in addition to a uniform appearance throughout the facility, inside and out. **ONVIF 2.4 Profile S** compliance means our cameras are compatible with most modern VMS and PSIM solutions.

H.265 compression reduces bandwidth making these cameras the ideal choice for systems where longer retention times are required. A system needing 24 HDD for a given retention duration with H.264 compression would need only 12-16 HDD with H.265 compression, a significant area for savings.

Only by **PATRONUS LABORATORIES**.

PRODUCT IDENTIFICATION CHART		
Division	Category	
Access Control	Camera, Board	IR Illuminator
Computer Components	Camera Bullet	JoyStick
Fixed Platform	Camera, Dome	Lens, Board
Housings/Mnts/Enclosures	Camera, Mini	Lens, C/CS Mount
Mobile Platform	Cam, Professional	Recorder, Embedded
Power Gen/Storage	Cam, Specialty	Recorder, Mobile
Tools/Equipment	Cam, Speed dome	Recorder, Network
Video Surveillance	Decoder	Recorder, PC-Based
Wire/Cables/Connectors	Encoder	Software
Wireless Equipment	Encoder/Recorder	



Models

Part Number	Description
VSCD1254	Vandal Dome, 2MP WDR(120dB), 1/1.9" Sony CMOS, 3.6mm/6mm/8mm, 30m IR, Color-0.01Lux, B/W-0.001, 0Lux/IR, PoE, 12VDC, Audio in/out, Alarm in/out, IK10, IP66
VSCD1255	Vandal Dome, 3MP WDR(120dB), 1/3" CMOS, 2.8-12mm, 30m IR, Color-0.3Lux/F1.2, B/W-0.05Lux/F1.2, 0Lux w/IR, PoE, 12VDC, Audio in/out, Alarm in/out, IK10, IP66
VSCD1256	Vandal Dome, 4MP WDR(100dB), 1/3" CMOS, 2.8-12mm, 30m IR, Color-0.3Lux/F1.2, B/W-0.05Lux/F1.2, 0Lux w/IR, PoE, 12VDC, Audio in/out, Alarm in/out, IK10, IP66
VSCD1257	Vandal Dome, 5MP WDR(120dB), 1/1.8" Sony CMOS, 3.6mm/6mm/8mm, 30m IR, Color-0.2Lux/F1.2, B/W-0.0035Lux/F1.2, 0Lux w/IR, PoE, 12VDC, Audio in/out, Alarm in/out, IK10, IP66

Mounts

Model	Description
HMBM0946	Bracket, Mount, Wall Mount for Vandal Dome Camera
HMBM0947	Bracket, Mount, Ceiling for Vandal Dome Camera

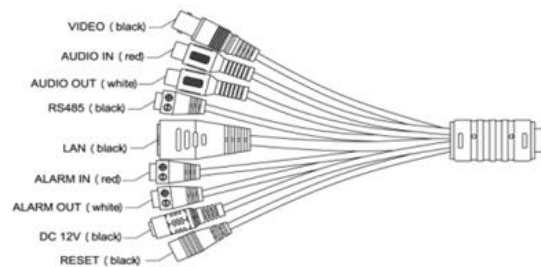
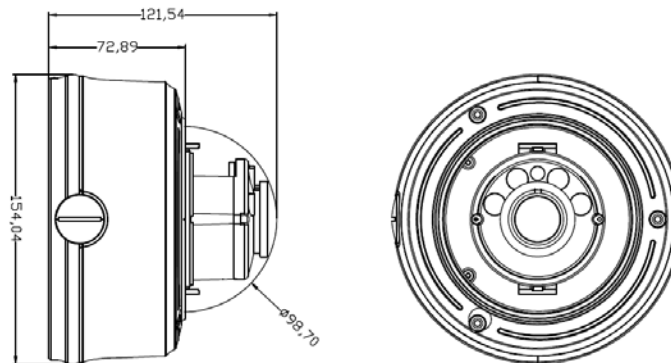


Ceiling Mount



Wall Mount

Dimensions



Specifications

Part Number	VSCD1254	VSCD1255	VSCD1256	VSCD1257
Main Processor	High-performance Hisilicon DSP			
Operating System	Embedded LINUX			
Resource	Simultaneous remote monitoring, local recording and remote control			
User Interface	WEB, CMS, NVR			
Camera				
Resolution	2MP	3MP	4MP	5MP
Image Sensor	1/1.9" Sony Progressive Scan CMOS	1/3" Progressive Scan CMOS	1/3" Progressive Scan CMOS	1/1.8" Progressive Scan Sony CMOS
Effective Pixels	1920(H)×1080(V)	2048(H)×1536(V)	2592(H)×1520(V)	2592 (H)×1944(V)
Electronic Shutter	1/5s to 1/50,000s			
Mini. Illumination (F1.2)	Color:0.01Lux; B/W:0.001Lux; 0Lux(IR on)	Color:0.3Lux; B/W:0.05Lux; 0Lux(IR on)	Color:0.3Lux; B/W:0.05Lux; 0Lux(IR on)	Color:0.2Lux; B/W:0.003Lux; 0Lux(IR on)
Signal Noise Ratio	>50dB			
Day/Night Mode	Auto, dual IR-Cut filter			
Gain Control	Auto/Manual			
White Balance	Auto/Manual			
WDR Dynamic Range	120dB	120dB	100dB	120dB
Lens (Manual)	3.6mm/6mm/8mm/F1.4	2.8mm~12mm/F1.4	2.8mm~12mm/F1.4	3.6mm/6mm/8mm/F1.4
Horizontal Field of View	86°~45°	81°~23°		89°~48°
Max IR Distance	30m			
Video				
Video Compression	H.265/H.264/MJPEG Optional			
Coding standard	H.265 Main Profile / H.264 Baseline/H.264 Main Profile/H.264 High Profile Optional			
Video Bit Rate - Main Stream	200Kbps~12Mbps			
Video Bitrate - Sub-stream	100Kbps~6Mbps			
Image Resolution	2.0MP 1080P(1920X1080)/ 720P(1280×720) / D1(704×576/704×480)	3.0MP(2048x1536)/1080P(1920X1080)/ 720P(1280×720) / D1(704×576/704×480)	4.0MP(2592x1520) / 3.0MP(2048x1536)/1080P(1920X1080)/ 720P(1280×720) / D1(704×576/704×480)	5.0Mp(2592×1944) / 3.0Mp(2048×536) / 1080P(1920×1020) / 720P(1280×720) / D1(704×576/704×480)
Frame Rate - Main Stream	1080P/720P/D1(1~25fps/30fps)	3.0MP/1080P/720P/D1(1~25fps/30fps)	4.0MP/20 fps, 3.0MP/1080P/720P/D1(1~25fps/30fps)	5.0MP/3.0MP/1080P/720P/D1(1~25fps/30fps)
Frame Rate - Sub-stream	1~25fps(640 × 480); 1~30fps (640 × 480);			
Video Format	PAL/NTSC			
Audio				
Audio Compression	G.711a/G.711u/RAW_PCM Optional			
Audio Bit Rate	G.711a(8kbps)/G.711u(8kbps)/RAW_PCM(16kbps)			
Audio Input	1-channel 3.5mm audio interface MIC IN/Line IN			
Audio Output	1-channel 3.5mm audio interface (line level,600Ω)			
Network				
Ethernet	RJ-45 (10/100Base-T)			
Network Protocol	IPv4/IPv6, RTSP/RTP/RTCP, TCP/UDP, HTTP, DHCP, DNS, FTP, DDNS, PPPoE, SMTP			
ONVIF	ONVIF Ver.2.4			
Max User Access	10 users			
Smart phone	iPhone , iPad ,Android			



DATA SHEET

Video Surveillance Division

Security Camera

Remote Operation	Monitor, Playback, System setting, File download, Log information, Maintenance & Upgrade		
Browser	IE(9、 10、 11),Chrome, Firefox, Safari		
Auxiliary Interface			
Reset Input	One Reset Button		
Memory Slot	TF Card, Max 64GB		
RS485	PTZ Control		
Alarm Input	1-channel input, Normally Open/Normally Close modes adjustable		
Alarm Output	1-channel output,, 120VAC 1A/24VDC 1A		
Video Output	1Vp-p Composite Output(75Ω/BNC)		
Environmental			
Power Supply	DC12V		
Power Consumption	<9W	<8W	<7W
Operating Environment	-40°C ~ +60°C, Humidity less than95%(Non-condensing)		
IP Grade	IP66		
Vandal Resistance	IK10		
Dimensions(mm)	154× 121.54mm		
Weight(kg)	1.1kg		
PoE	IEEE802.3af		

Compatible NVR Software



And many more ONVIF Compliant VMS and PSIM systems....

