

Features

- **2MP Resolution**
All models are offered with 2MP, 1080P resolution at up to 30 fps.
- **20x and 30x Zoom**
Two optical zoom levels are offered to satisfy indoor and outdoor applications. Detection of a person walking is achievable at over 1,500 meters with the 30x models.
- **IR illumination**
100 meter IR illumination on the 2MP 20x and 30x versions offers cost effective night-time usability.
- **Common Firmware**
Patronus Labs offers 6 PTZ models all sharing the same firmware and Internet Explorer configuration pages, reducing training and software compatibility concerns with ONVIF compliant VMS systems.
- **No blind spots**
Continuous 360° Pan Rotation and 180° tilt provides unhindered directional tasking.
- **Weather Resistant**
Outdoor models are IP66 compliant weather resistant facilitating installation in most remote security applications, under the harshest environmental conditions.
- **Dual Voltage**
All models are offered with 12VDC and 24VAC input. 12VDC is optimal where battery back-up is utilized, eliminating the need for 24VAC reduces supporting infrastructure costs and reduces power consumption overall in DC systems, the **IR PTZ** is uniquely positioned to accommodate off-grid solar or generator powered remote applications.

IR PTZ Series

...From Patronus Labs



Overview

Patronus Labs offers an encompassing line of optical PTZ camera from including 10x, 20x and 30x zoom options. The 20x and 30x models are offered with 100 Meter IR LEDs for superior outdoor night time illumination. The 9 LEDs are separated into Wide angle, Medium angle and Narrow angle to ensure even illumination in all zoom settings.

All models are available in 2.0MP, and in addition to the HD quality optical zoom, 32x digital zoom is available for super long range observation of distant targets of interest.

The full range of mounts enable indoor and outdoor mounting on walls, ceilings, corners, poles and recessed ceiling mounts.

PRODUCT IDENTIFICATION CHART		
Division	Category	
Access Control	Camera, Board	IR Illuminator
Computer Components	Camera Bullet	JoyStick
Fixed Platform	Camera, Dome	Lens, Board
Housings/Mnts/Enclosures	Camera, Mini	Lens, C/CS Mount
Mobile Platform	Cam, Professional	Recorder, Embedded
Power Gen./Storage	Camera, Specialty	Recorder, Mobile
Tools/Equipment	Cam, Speed dome	Recorder, Network
Video Surveillance	Decoder	Recorder, PC-Based
Wire/Cables/Connectors	Encoder	Software
Wireless Equipment	Encoder/Recorder	

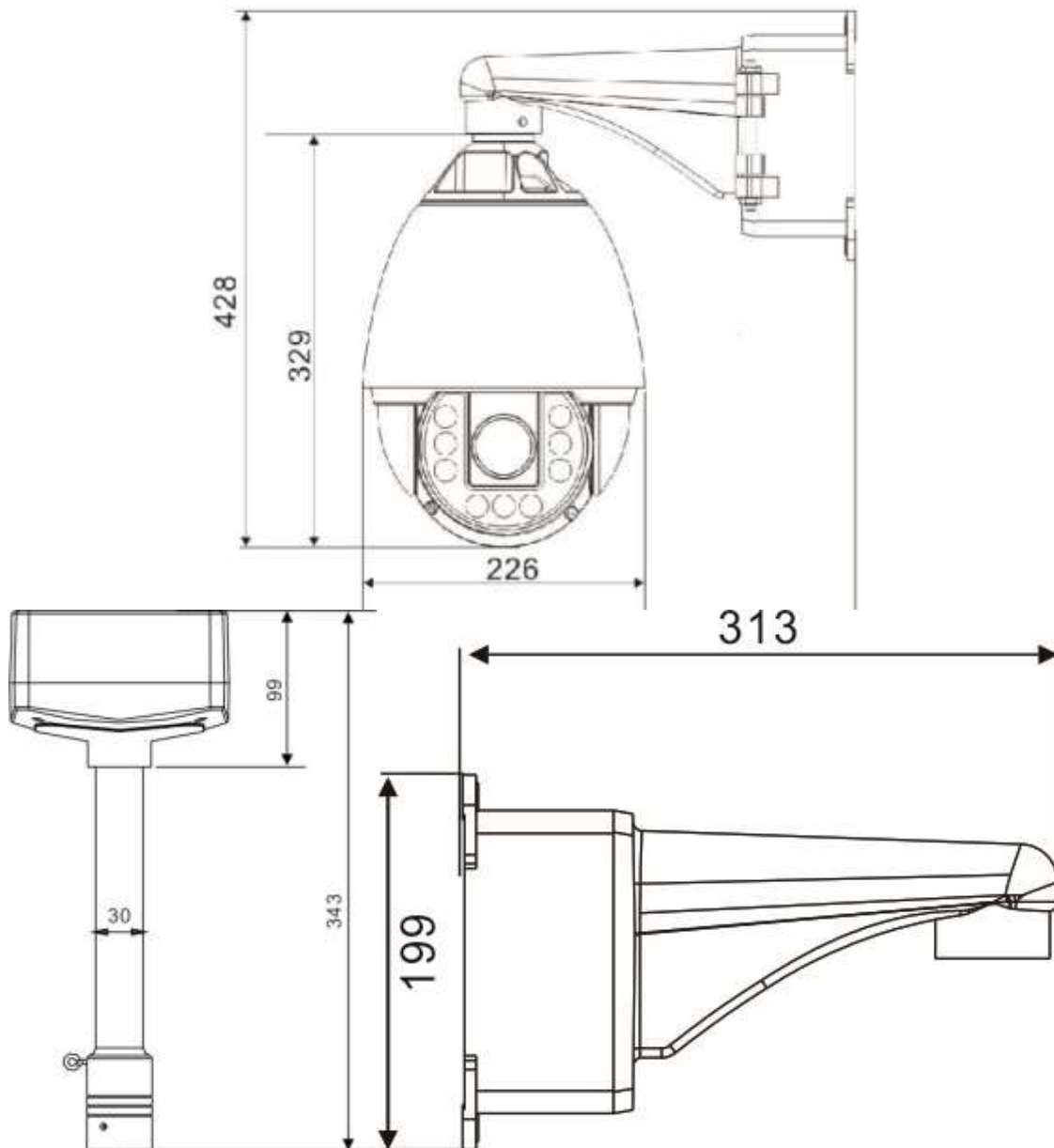


Models

Part Number	Description
VSCE1262	20x, Indoor/Outdoor PTZ, IP66, 12VDC/24VAC, 100 meter IR LED
VSCE1263	30x, Indoor/Outdoor PTZ, IP66, 12VDC/24VAC, 100 meter IR LED

Dimensions

20x, 30x IR PTZ



Accessories

Part Number	Description
HMBM1264	20x & 30x Indoor/Outdoor Wall Mount(Included with 20x & 30X PTZ models)
HMBM1265	20x & 30X Indoor/Outdoor Ceiling Mount
HMBM1266	All Models Corner Mount
HMBM1267	All Models Pole Mount

20x, 30x IR PTZ



Wall Mount



Ceiling Mount

All Models



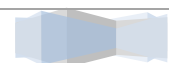
Corner Mount



Pole Mount

Specifications

Model	VSCE1262	VSCE1263
Image Sensor	1/2.86" Panasonic CMOS Sensor	
Total Pixels	1956x1266	
Effective Pixels	1944x1213	
Zoom	20x Optical zoom, 32x digital zoom	30x Optical zoom, 32x digital zoom
Focal Length	f=4.7--94.0mm	f=4.3--129mm
Minimum Illumination	Color:0.5Lux, BW:0.1Lux; Color DSS:0.002Lux, BW DSS:0.001:Lux	
Day & Night	Auto / Day / Night	



DATA SHEET

Video Surveillance Division

Security Camera

Focus	Auto / Manual /Semi-Auto
Iris	Auto / Manual
Defog	Yes
Shutter Speed	1/30(25)---1/10000sec.
AGC	Off/On
White Balance	Auto /Outdoor / Indoor/ATW/ Manual
Mirror	None/Horizontal/Vertical/Horizontal & Vertical
WDR	On/Off
S/N	50 dB (AGC Off)
Privacy Zone	8 privacy zone could be programmable
Pan/Tilt Range	Horizontal 360 °(endless) / Vertical: 0-180° (Auto-flip)
Speed	0 ~ 180°/sec.
Preset	254
Tour	8
Auto Scan	8
Pattern	4(ten minutes)
Privacy zone	8
Group	8
Schedule	16
Auto Flip	On/Off
Power Up Action	None/Last Action/preset/pattern/scan/group
Other PTZ Functions	Parking Action
Protocol	Pelco D/P
Communication	RS-485
Zoom Proportional	On/Off
Video Out	Service analog Video Out
Audio In	1CH
Audio Out	1CH
Alarm In	2CH
Alarm Out	1CH
Network Connection	RJ-45, 10/100 Mbps Ethernet
Codec Platform	High-performance TI Davinci DSP
Video Compression	H.264, M-JPEG
Video Codec	H.264 Baseline, Main profile, High Profile, MJPEG
Audio Compression	G.711a/G.711u/RAW_PCM
Video Bitrate	CBR(200-12000kbps), VBR, LBR
Frame Rate	1080p @ 25fps/30fps
Video Stream	Dual-stream: 1920x1080; 630x360
Network Protocol	IPv4/IPv6, RTSP/RTP/RTCP, TCP/UDP, HTTP, DHCP, DNS, FTP, DDNS, PPPoE, SMTP, SNMP V1/V2, ONVIF2.4.1, ONVIF Profile S.
Alarm Trigger Event	Motion Detection, Alarm in, Schedule
Dome Dimension	Φ226mm*428Hmm
Net Weight	3.91KG(Only PTZ dome with wall/pendant mount)
Gross Weight	6KG(One Unit)
Working Temp.	-10°C ~ +50°C;
Working Humidity	0%~90% (Non-condensation)
Fan	Start temp.: 45 degrees and 0 degrees
Power Supply	12VDC/24VAC
Power Consumption	12VDC: 56W Max. / 24VAC: 65W Max.
Waterproof Level	IP65
Certificate	CE,FCC
Irradiation distance	100m
Infrared mode	Auto/Manual/Semi-auto
Lamp layout	9 IR LED Array - Near:3; Middle:3; Far:3
Lamp power	Max3W
Brightness level	ON/OFF

© 2016 Patronus Laboratories Corporation. As primarily a Research & Development company, Patronus Laboratories reserves the right to change product specifications without notice. For the latest product specifications, visit Patronus Laboratories online at www.PatronusLabs.com or contact your Patronus Labs sales representative.

