

Features

- **2MP Resolution**
All models are offered with 2MP, 1080P resolution at up to 30 fps.
- **20x and 30x Zoom**
Two optical zoom levels are offered to satisfy indoor and outdoor applications. Detection of a person walking is achievable at over 1,500 meters with the 30x models.
- **Common Firmware**
In addition to these 20x and 30x 2MP models, Patronus labs offers 4 other 2MP PTZ cameras (10x without IR and 20x & 30x models with IR) that share the same firmware and Internet Explorer configuration pages, etc. reducing training and software compatibility concerns with ONVIF 2.4 Profile S compliant VMS systems.
- **No blind spots**
Continuous 360° Pan Rotation and 180° tilt provides unhindered directional tasking.
- **Weather Resistant**
Outdoor models are IP66 compliant weather resistant facilitating installation in most remote security applications, under the harshest environmental conditions.
- **Dual Voltage**
All models are offered with 12VDC and 24VAC input. 12VDC is optimal where battery back-up is utilized, eliminating the need for 24VAC reduces supporting infrastructure costs and reduces power consumption overall in DC systems, the **IR PTZ** is uniquely positioned to accommodate off-grid solar or generator powered remote applications.
- **ONVIF**
All cameras are ONVIF 2.4 compliant for use with any ONVIF 2.4 compliant Network Video Recording Software Solution.
- **Internal Storage**
Micro SD slot for internal storage.
- **Alarm**
Built-in Alarm input and Relay output to trigger recording from external sensor and control external devices (lights, siren, etc.)
- **Audio**
Audio Input and Output enables two-way communications via IP Camera.

IR PTZ Series

...From Patronus Labs



Overview

Patronus Labs offers an encompassing line of optical PTZ camera from including 10x, 20x and 30x zoom options. The 20x and 30x models are superior for outdoor environments with ambient illumination. All models are available in 2.0MP, and in addition to the HD quality optical zoom, 32x digital zoom is available for super long range observation of distant targets of interest. The full range of mounts enable indoor and outdoor mounting on walls, ceilings, corners, poles and recessed ceiling mounts.

Only by **PATRONUS LABORATORIES**.

PRODUCT IDENTIFICATION CHART

Division	Category	
Access Control	Camera, Board	IR Illuminator
Computer Components	Camera Bullet	JoyStick
Fixed Platform	Camera, Dome	Lens, Board
Housings/Mnts/Enclosures	Camera, Mini	Lens, C/CS Mount
Mobile Platform	Cam, Professional	Recorder, Embedded
Power Gen./Storage	Camera, Specialty	Recorder, Mobile
Tools/Equipment	Cam, Speed dome	Recorder, Network
Video Surveillance	Decoder	Recorder, PC-Based
Wire/Cables/Connectors	Encoder	Software
Wireless Equipment	Encoder/Recorder	



Models

Part Number	Description
VSCE1260	20x, Indoor/Outdoor PTZ, IP66, 12VDC/24VAC
VSCE1261	30x, Indoor/Outdoor PTZ, IP66, 12VDC/24VAC

Accessories

Part Number	Description
HMBM1264	20x & 30x Indoor/Outdoor Wall Mount(Included with 20x & 30X PTZ models)
HMBM1265	20x & 30X Indoor/Outdoor Ceiling Mount
HMBM1266	All Models Corner Mount
HMBM1267	All Models Pole Mount



Wall Mount



Ceiling Mount



Corner Mount



Pole Mount

Specifications

Part Number	VSCE1260	VSCE1261
Image Sensor	1/3" Panasonic CMOS Sensor	
Total Pixels	2010x1108	
Effective Pixels	1944x1092	



DATA SHEET

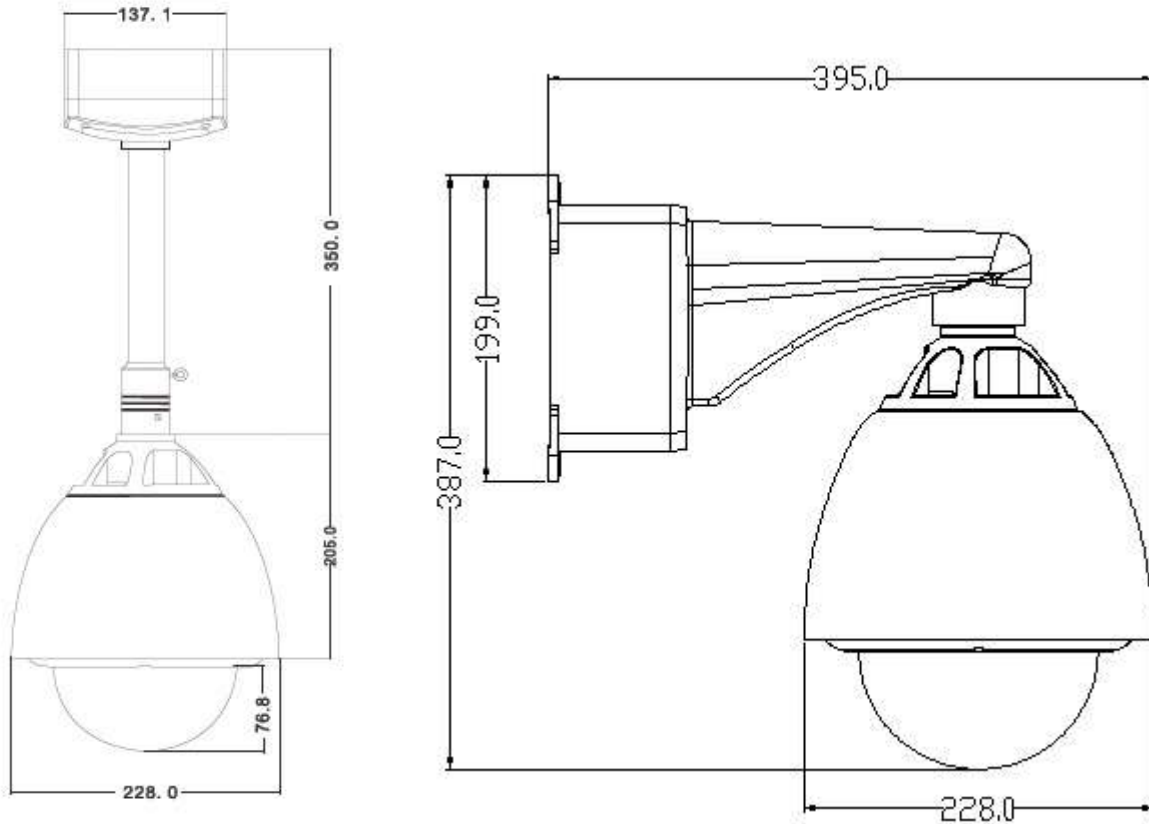
Video Surveillance Division

Security Camera

Zoom	20x Optical zoom, 32x digital zoom	30x Optical zoom, 32x digital zoom
Focal Length	f=4.7---94.0mm	f=4.3---129mm
Minimum Illumination	Color:0.5Lux, BW:0.1Lux; Color DSS:0.002Lux, BW DSS:0.001:Lux	
Day & Night	Active/Passive/Day/Night/Schedule	
Focus	Auto	
Iris	Auto / Manual	
Defog	Yes	
Shutter Speed	1/30(25)---1/100000sec.	
AGC	Off/On	
White Balance	Auto /Outdoor / Indoor/ATW/ Manual	
Mirror	None/Horizontal/Vertical/Horizontal & Vertical	
WDR	On/Off	
S/N	50 dB (AGC Off)	
Privacy Zone	8 privacy zone could be programmable	
Pan/Tilt Range	Horizontal 360 °(endless) / Vertical: 0-180° (Auto-flip)	
Speed	Max. 360°/sec.	
Preset	254	
Tour	8	
Auto Scan	8	
Pattern	4(ten minutes)	
Privacy zone	8	
Group	8	
Schedule	16	
Auto Flip	On/Off	
Power Up Action	None/Last Action/preset/pattern/scan/group	
Other PTZ Functions	Parking Action	
Protocol	Pelco D/P	
Communication	RS-485	
Video Out	Service analog Video Out	
Audio In	1CH	
Audio Out	1CH	
Alarm In	8CH	
Alarm Out	4CH	
Network Connection	RJ-45, 10/100 Mbps Ethernet	
SD Card	32GB mini SD	
Codec Platform	High-performance TI Davinci DSP	
Video Compression	H.264, M-JPEG	
Video Codec	H.264 Baseline, Main profile, High Profile, MJPEG	
Audio Compression	G.711a/G.711u/RAW_PCM	
Video Bitrate	CBR(200-12000kbps), VBR, LBR	
Frame Rate	1080p @ 25fps/30fps	
Video Stream	Dual-stream: 1920x1080; 630x360	
Network Protocol	IPv4/IPv6, RTSP/RTP/RTCP, TCP/UDP, HTTP, DHCP, DNS, FTP, DDNS, PPPoE, SMTP, SNMP V1/V2, ONVIF2.4.1, ONVIF Profile S.	
Alarm Trigger Event	Motion Detection, Alarm in, Schedule	
Dome Dimension	Φ281.8mm*228Hmm	
Net Weight	3.3KG(Only PTZ dome with wall/pendant mount)	
Gross Weight	4.9KG(One Unit)	
Working Temp.	-42°C to 55°C	
Working Humidity	0%~90% (Non-condensation)	
Fan	Start temp.: 45 degrees and 0 degrees	
Heater	Yes on at 0°C	
Power Supply	12VDC or 24VAC	
Power Consumption	12VDC: 28W Max. / 24VAC: 65W Max.	
Waterproof Level	IP66	
Certificate	CE,FCC	



Dimensions



Compatible NVR Software



And many more ONVIF Compliant VMS and PSIM systems....

© 2016 Patronus Laboratories Corporation. As primarily a Research & Development company, Patronus Laboratories reserves the right to change product specifications without notice. For the latest product specifications, visit Patronus Laboratories online at www.PatronusLabs.com or contact your Patronus Labs sales representative.

