

# DATA SHEET

Video Surveillance Division

Security Camera

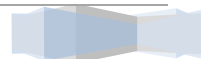


## *Laser Dome II* Series



**“The World’s First Variable Dispersion  
Infrared Laser Speed Dome Camera”**

Patronus Laboratories Corporation  
Corporate Headquarters: San Luis Obispo, CA 93405  
[www.PatronusLabs.com](http://www.PatronusLabs.com)



Features

- Variable Beam Infrared LASER**  
 The **LASERDOME II Infrared Camera** from **PATRONUS LABORATORIES** is the first variable beam infrared LASER Speed Dome in the market. The **LASERDOME II** automatically adjusts the LASER beam dispersion angle from 40° at close range proportionally to 2° at extreme range. This industry first functionality eliminates both under exposure at long distance, and/or infrared “spot” at a short or medium distance. Unmatched flexibility ensures the best possible infrared exposure on any target. The LASER beam angle changes automatically with camera zoom.
- Unparalleled Imagery**  
 Two high quality imager options are available. Analog video speed dome NTSC/PAL Sony 36x zoom module for direct replacement of traditional speed domes or an ONVIF 2MP (1080P) 20x CMOS IP Zoom module for high resolution IP systems. Both are coupled with a mechanical infrared cut filter for day and night operation with Infrared Illumination. The **LASERDOME II** generates unparalleled optical clarity in a Speed dome form factor.
- No blind spots**  
 Continuous 360° Pan Rotation and 180° tilt with auto flip provides unhindered directional tasking.
- Wiper**  
 Wiper controlled by a Preset eliminates the dirty Polycarbonate dome problem in traditional speed domes, providing clean and clear images 24/7/365. Operator controlled lens cleaning eliminates maintenance cleaning costs.
- Weather Resistant**  
 IP67 compliant weather resistant design facilitates installation in the most remote security applications, under the harshest environmental conditions.
- Dual Voltage - Low Wattage Draw**  
 Two available voltage options, 24VDC and 24VAC, and substantially lower wattage draw than Infrared LEDs, the **LASERDOME II** is uniquely positioned to accommodate off-grid solar or generator powered remote applications.

# LASERDOME II

## Series

...From Patronus Labs

### ONE HOUSING – MANY OPTIONS

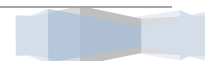


## Overview

**Patronus Labs** offers an exclusive line of Laser infrared laser illuminator technology cameras. The **LASERDOME II's** variable infrared laser beam provides up to 200+ meter night-time visibility in conjunction with two imager options. The camera shell is made of high strength aluminum alloy, providing impact and corrosion resistance. The **LASERDOME II** carries an IP65 rating for all weather application. The **LASERDOME II** is equipped with a wiper to provide instant remote cleaning of the lens, a significant operational and maintenance benefit.

PRODUCT IDENTIFICATION CHART

Division	>	Category	
Access Control		Camera, Board	IR Illuminator
Computer Components		Camera Bullet	Joystick
Fixed Platform		Camera, Dome	Lens, Board
Housings/Mnts/Enclosures		Camera, Mini	Lens, C/CS Mount
Mobile Platform		Cam, Professional	Recorder, Embedded
Power Gen./Storage		Camera, Specialty	Recorder, Mobile
Tools/Equipment		Cam, Speed dome	Recorder, Network
Video Surveillance		Decoder	Recorder, PC-Based
Wire/Cables/Connectors		Encoder	Software
Wireless Equipment		Encoder/Recorder	

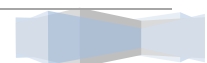


## Models

Stock Number	Description
VSCE0948	36x Sony 550TVL, 100M LED IR
VSCE0949	36x Sony 550TVL, 500M Laser IR 808nm
VSCE0950	36x Sony 550TVL, 150M Laser IR 940nm
VSCE0951	20x Sony 2MP, 100M LED IR
VSCE0952	20x Sony 2MP, 500M Laser IR 808nm
VSCE0953	20x Sony 2MP, 150M Laser IR 940nm

## Specifications

Camera	SONY FCB-EH6300	SONY FCB-EX1020
Alarm	1channel In/1channel Out (Optional)	
Angle of View	55.4° ~ 2.9°	57.8° ~ 1.7°
Auto Flip	YES	
Auto Scan	5, adjustable scan speed, based on OSD menu	
Backlight Compensation	ON/OFF	
Baud Rate	NA	2400/4800/9600/19200 bps
Bit Rate	1Mbps~10Mbps	NA
Compression	H.264	NA
Compression	G.722 / G.711	NA
Communication	10/100 Ethernet	RS485/RS422
Cruise Track	8, each supports 10 preset positions	Up to 8 groups, configurable dwell time, based on OSD function
Day/Night	Auto(ICR) / Color / B/W	
Dimensions	205(L) x 2115(W)x348.5(H) mm	
Effective Pixels	1920(H) x 1080(V), 2.0 Megapixels	380K NTSC / 440K PAL
Electronic Shutter Speed	1/1~1/10000s	
Environmental	IP67 compliance	
Focal Length	4.7mm ~ 94mm	3.4mm - 122.4mm
Focus Control	Auto / Manual	
Gain Control	Auto/Manual/Max	Auto/Manual
Idle Motion	Activate Preset/Pan/Scan/Tour/Pattern if there is no command in the specified period	
Image Sensor	1/2.8" Exmor CMOS	1/4 type ExView HAD™ CCD
IR control	Manual/Auto/Triggered by camera night mode	
Interface	1channel in/1channel out	NA
Manual Control Speed	Pan: 0.1° ~120° /s; Tilt: 0.1° ~60° /s	
Material	Aluminum alloy	
Max Aperture	F1.6 ~ F3.5	F1.6 to F4.5
Memory Slot	Micro SD, Max 32GB	NA
Min. Illumination	Color: 1.71 lux@F1.6 / B/W: 0.3lux@F1.6	Color: 1.4 lux@F1.6 / B/W ICR-ON Mode 0.01 lux/1/4@F1.6
Night Vision Range	See Illumination Table	
Noise Reduction	Yes(On/Off)	
ONVIF	ONVIF Ver. 2.2	NA
OSD Menu	Chinese/English	
Pan Speed	Manual:0.01°/s-120°/s	
Pan/Tilt Range	Pan: 0° ~ 360° endless	
Pattern Tour	1 pattern or 200 commands	
Power Consumption	≤80W	
Power Supply	AC 24V ±20%, DC24V±20%, AC/DC auto adaptive	
Power up Action	Auto restore to previous PTZ and lens status after power failure	
Preset	128	
Preset Speed	Max 300° /s	
Privacy Masking	ON/OFF, 24 zones	
Proportional Pan/Tilt Control	YES	



# DATA SHEET

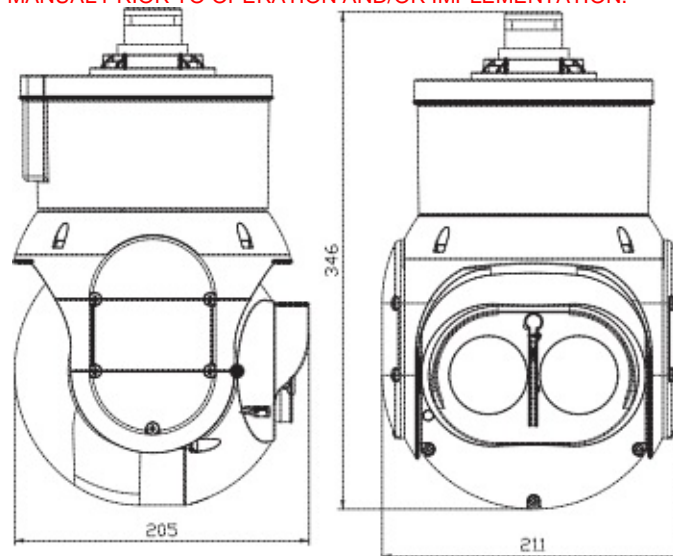
Video Surveillance Division

Security Camera

Protection Level	IP67	
Protocol	TCP/IP,HTTP,DHCP,DNS,RTP/RTCP, PPPoE, DDNS	NA
Resolution	1080P(1920×1080) / 720P(1280×720) / D1(704×576/704×480) / CIF(352×288/352×240)	D1(704×576/704×480)
Resolution 2nd Stream	D1/CIF(1 ~ 25/30fps)	NA
Resolution Main Stream	1080P/720P(1 ~ 25/30fps)	NA
RS422/485	PELCO-P/PELCO-D self-adaptive	
Safe installation	Leash support	
S/N Ratio	More than 50dB	
Scanning System	Progressive	
Speed Setup	Human-oriented focal length/ speed adaptive	
Surge Protection	Built-in Lightning and Surge Protection	
Tilt Range	-115°~0°	
Tilt Speed	Manual:0.01°/s-60°/s	
Time Task	Auto activation of Preset/Pan/Scan/Tour/Pattern by preset-time	
User Access	Minimum 5 users	NA
Video Output	NA	1.0V[p-p] / 75Ω,NTSC(or PAL) composite, BNC
Weight(approx.)	7.0kg	
White Balance	Auto, ATW, Indoor, Outdoor Auto, Sodium	AUTO, ATW, Indoor, Outdoor, One Push WB, Manual WB, Outdoor Auto, Sodium Vapor Lamp (Fix/Auto)
Wide Dynamic Range	Auto/Manual	
Working Environment	Temperature: -40°C ~ 60°C /Humidity: ≤90% RH	-35°C~+65°C , 90% or less(without condensation)
Zoom	20x optical / 12x digital zoom	36x optical / 12x digital

IR Illuminators			
	LED	Laser	
Illumination Distance	100m	500m	150m
Emission angle	10°	2-40°	
Power Consumption	10W	3W	
Wave Length	850nm	808nm	940nm

- ❖ ALL LASERS CAN BE DANGEROUS IF USED IMPROPERLY.
- ❖ PLEASE CONTACT PATRONUS LABORATORIES FOR APPLICATION SPECIFIC GUIDELINES AND LIMITATIONS.
- ❖ REFER TO PRODUCT MANUAL PRIOR TO OPERATION AND/OR IMPLEMENTATION.



© 2014 Patronus Laboratories Corporation. As primarily a Research & Development company, Patronus Laboratories reserves the right to change product specifications without notice. For the latest product specifications, visit Patronus Laboratories online at [www.PatronusLabs.com](http://www.PatronusLabs.com) or contact your Patronus Labs sales representative.

