

Features

- **Standardized Housing and Software**
The *IR ECONOMY BULLET series* uses a common housing and software across six different models. All cameras share the same mounting options, connections, software, IR illumination range with 2 different imager resolutions and 3 fixed lens options to ease installation and training.
- **IP MEGA-PIXEL Imagers**
Two (2) different MEGA-PIXEL imagers (3MP, 4MP) all with the same connection format and software configuration provides flexibility in resolution and pricing while maintaining consistency in installation and function.
- **Broad Temperature Range / IP Rating**
-40°C ~ +60°C and IP66 enables outdoor installation in virtually all environments around the world.
- **Dual Voltage**
All cameras support either 12VDC and/or PoE for IP Cameras models making upgrading systems easy.
- **IR Illumination**
Built-in 30 Meter IR illuminators on all imager types
- **ONVIF**
All cameras are ONVIF 2.4 compliant for use with any ONVIF 2.4 compliant Network Video Recording Software Solution.
- **Dual IR Cut Filter**
Dual IR Cut Filter for day and night operations with or without IR illuminators.
- **Three Axis Gimbal**
Three Axis Gimbal combined with digital video mirror in horizontal and vertical enables mounting on an angle surface.

IR ECONOMY BULLET Series

...From Patronus Labs



Overview

Patronus Labs offers an exclusive selection PoE and 12VDC powered **IR ECONOMY BULLET** cameras with 2 resolutions and MJPEG, H.264 and industry leading **H.265 compression**. This diversity ensures a comprehensive ability to meet the functionality needs of virtually any customer required resolution, lighting/temperature environment and technology. The range in resolution provides a range of pricing and functionality for virtually any budget.

Standardized mounting and connections mean reduced training costs, reduced installation time, and reduced inventory in addition to a uniform appearance throughout the facility, inside and out.

ONVIF 2.4 Profile S compliance means our cameras are compatible with most modern VMS and PSIM solutions.

H.265 compression reduces bandwidth making these cameras the ideal choice for systems where longer retention times are required. A system needing 24 HDD for a given retention duration with H.264 compression would need only 12-16 HDD with H.265 compression, a significant area for savings.

Only by **PATRONUS LABORATORIES**.

PRODUCT IDENTIFICATION CHART		
Division	Category	
Access Control	Camera, Board	IR Illuminator
Computer Components	Camera Bullet	JoyStick
Fixed Platform	Camera, Dome	Lens, Board
Housings/Mnts/Enclosures	Camera, Mini	Lens, C/CS Mount
Mobile Platform	Cam, Professional	Recorder, Embedded
Power Gen/Storage	Cam, Specialty	Recorder, Mobile
Tools/Equipment	Cam, Speed dome	Recorder, Network
Video Surveillance	Decoder	Recorder, PC-Based
Wire/Cables/Connectors	Encoder	Software
Wireless Equipment	Encoder/Recorder	



Models

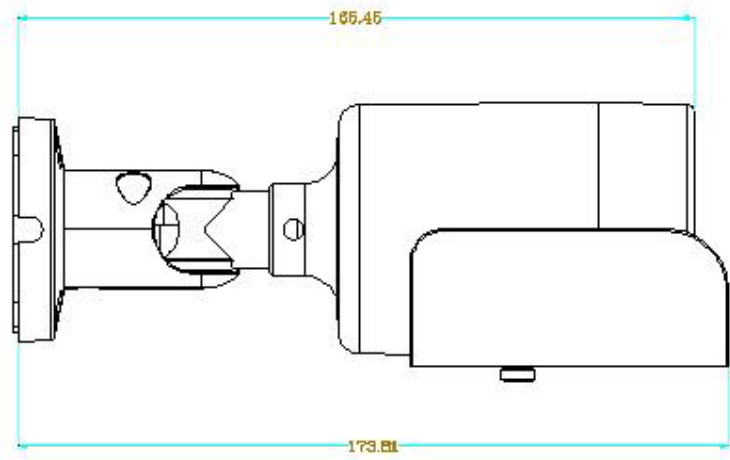
Part Number	Description
VSEB1268	Camera, Economy Bullet, 3MP WDR(120dB), 1/3" CMOS, 3.6mm, 30m IR, Color-0.3Lux/F1.2, B/W-0.05Lux/F1.2, 0Lux w/IR, PoE, 12VDC
VSEB1269	Camera, Economy Bullet, 3MP WDR(120dB), 1/3" CMOS, 6mm, 30m IR, Color-0.3Lux/F1.2, B/W-0.05Lux/F1.2, 0Lux w/IR, PoE, 12VDC
VSEB1270	Camera, Economy Bullet, 3MP WDR(120dB), 1/3" CMOS, 8mm, 30m IR, Color-0.3Lux/F1.2, B/W-0.05Lux/F1.2, 0Lux w/IR, PoE, 12VDC
VSEB1271	Camera, Economy Bullet, 4MP WDR(100dB), 1/3" CMOS, 3.6mm, 30m IR, Color-0.3Lux/F1.2, B/W-0.05Lux/F1.2, 0Lux w/IR, PoE, 12VDC
VSEB1272	Camera, Economy Bullet, 4MP WDR(100dB), 1/3" CMOS, 6mm, 30m IR, Color-0.3Lux/F1.2, B/W-0.05Lux/F1.2, 0Lux w/IR, PoE, 12VDC
VSEB1273	Camera, Economy Bullet, 4MP WDR(100dB), 1/3" CMOS, 8mm, 30m IR, Color-0.3Lux/F1.2, B/W-0.05Lux/F1.2, 0Lux w/IR, PoE, 12VDC

Mounts

Part Number	Description
HMHE1163	Junction Box, Wall Mount or Ceiling Mount



Dimensions

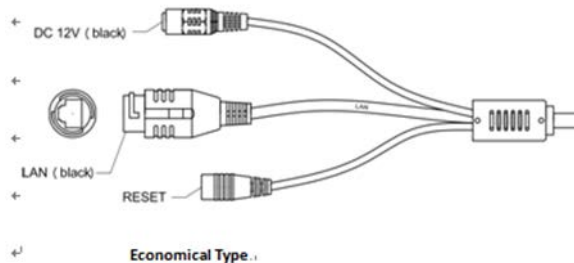


Specifications

Part Number	VSEB1268 - 3.6mm	VSEB1271 - 3.6mm
	VSEB1269 - 6mm	VSEB1272 - 6mm
	VSEB1270 - 8mm	VSEB1273 - 8mm
General		
Main Processor	High-performance Hisilicon DSP	
Operating System	Embedded LINUX	
Capacity	Simultaneous remote monitoring, local recording and remote control	
User Interface	WEB, CMS, NVR	
Camera		
Image Sensor	1/3" 3MP progressive scan CMOS	1/3" 4MP progressive scan CMOS
Effective Pixels	2048(H)×1536(V)	2592(H)×1520(V)
Electronic Shutter	1/5s to 1/50,000s	1/5s to 1/50000s
Mini. Illumination	Color:0.3Lux/F1.2 ; B/W:0.05Lux/F1.2; 0Lux/F1.2(IR on)	
Signal Noise Ratio	>50dB	
Day/Night Mode	Auto, dual IR-Cut filter	
Gain Control	Auto/Manual	
White Balance	Auto/Manual	
WDR Dynamic Range	120dB	100dB
Lens	3.6mm / 6mm / 8mm	
Max IR Distance	30m	
Video		
Video Compression	H.265/H.264/MJPEG Optional	
Coding standard	H.265 Main Profile / H.264 Baseline/H.264 Main Profile/H.264 High Profile Optional	
Video Bit Rate	Main Stream: 500Kbps~12Mbps Sub Stream: 100Kbps~6Mbps	
Image Resolution	3.0MP(2048x1536)/1080P(1920x1080) / 720P(1280x720) / D1(704x576/704x480)	4.0MP(2592x1520) / 3.0MP(2048x1536)/1080P(1920x1080)/ 720P(1280x720) / D1(704x576/704x480)
Encoding Speed	Main Stream: 3.0MP/1080P / 720P/D1(1~25fps/30fps)	Main Stream: 4.0MP / 20 fps 3.0MP/1080P/720P/D1(1~25fps/30fps)
Video Format	Sub Stream: D1/CIF:(1~25fps/30fps) PAL/NTSC	
Network		
Ethernet	RJ-45 (10/100Base-T)	
Network Protocol	Ipv4/Ipv6, RTSP, TCP/UDP, HTTP, DHCP, DNS, FTP, DDNS, PPPoE, SMTP	
Common Features	One button Reset, Prevent Flicker, Dual-stream, Heartbeat, Password Protect, Video cover, Motion Alarm	
ONVIF	ONVIF Ver.2.4	
Max User Access	10 users	
Smart phone	IPhone , Ipad ,Android,	
Remote Operation	Monitor, System setting, , Log information, Maintenance & Upgrade	
Browser	IE(9、10、11),Chrome, Firefox, Safari, etc.	
Auxiliary Interface		
Reset Input	One Reset Button(Hold on 3 seconds at least)	
Environmental		
PoE	IEEE802.3af	
Power Supply	DC12V	
Power Consumption	<5W	
Working Environment	-40°C ~ +60°C, Humidity less than95%(Non-condensing)	
Protection Level	IP66	
Dimensions(mm)	66.7mm×62.0mm×173mm	
Weight(kg)	0.4Kg	



Cable Harness



Compatible NVR Software



And many more ONVIF Compliant VMS and PSIM systems...

