

# Bed Assembly

## Patient Hand Control

Connect the patient hand control to the bed by inserting the connector into the Junction box and securing it with the Cable Securing Strap once all plugs are connected.



Patient Hand Control

Bed Junction Box

Cable Securing Strap

Figure 6: Bed Junction Box connections

### CAUTIONS:

Ensure hand pendant cable is routed in a way such that it will not become entangled or pinched when the bed is adjusted.

**DO NOT** place the pendant hand control under or between objects. This may unintentionally press the buttons which may cause injury or damage to occur.

Hand Control for Semi- Electric Bed

Hand Pendant Connector

Hand Control for Full Electric Bed



Figure 7: Patient Hand Controls

# Bed Assembly

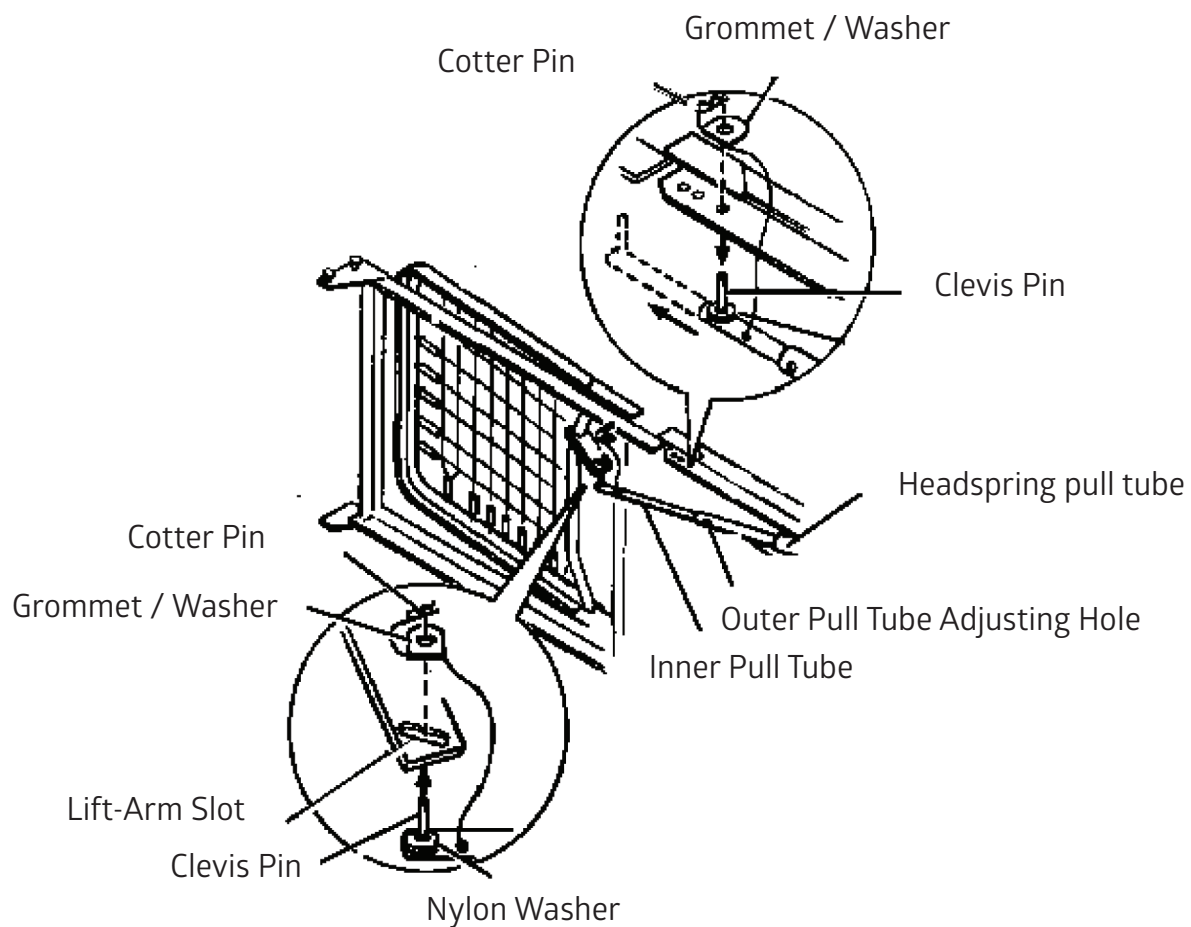


Figure 8: Head Spring Pull Tube assembly

## Adjusting and Connecting the Head Spring Extension Tube



# Bed Assembly

## Adjusting and Connecting the Head Spring Extension Tube



Figure 9: Extension tube attachment

1. To provide up and down movement of the head section, attach the head extension tube to head spring motor. Make sure tube end with black plastic insert is mounted on motor shaft as shown on below.



2. Pull out extension tube and slide onto frame as shown in Figure 9.
3. Connect the pull tube assembly to the lift-arm of the head spring by inserting the clevis pin into the lift-arm slot. Reconnect the grommet and washer and secure the cotter pin.

# Bed Assembly

## Installing the Center Drive Shaft

The drive shaft is composed of two sections that are shipped unassembled. The inner shaft, which has a positioning spring button, and the outer shaft, which has two positioning holes and one storage position hole. Together they make the telescoping center drive shaft used on all electric Hi-Lo model beds.

## Installing the Center Drive Shaft



Figure 10: Drive Shaft

# Bed Assembly

## Adjusting the Center Drive Shaft

1. Depress the spring button on the inner shaft and insert the inner shaft into the outer shaft.
2. Slide the inner shaft to the correct position for the type of bed being used and engage the spring button into the proper positioning hole as follows:
  - a. For semi-electric beds: engage the spring button into the fifth hole position from the left, labeled 'SEMI'. If utilizing the extension kit, adjust the push button to the sixth hole position labeled 'SEMI EXT'.
  - b. For the full electric model: engage the spring button into the first hole position from the left labeled 'FULL'. If utilizing the extension kit, adjust the spring button to the third hole position from the left labeled 'FULL EXT'.

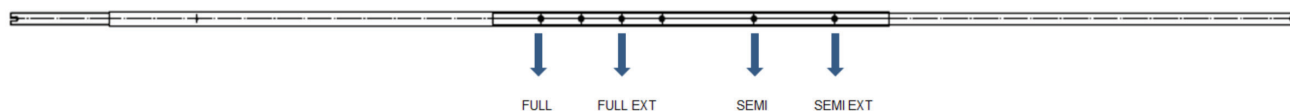


Figure 11: Drive Shaft

3. Connect the drive shaft to the bed by attaching either end of the drive shaft to the headboard gearbox. See Figures 12.

For semi-electric beds, attach the other end of the drive shaft to the footboard gearbox by pushing the drive shaft toward the headboard gearbox to shorten the length, then fitting the other end into the footboard gearbox.

For full electric beds, attach the other end of the drive shaft to the center motor by pushing the drive shaft toward the headboard gearbox to shorten the length, then fitting the other end into the extended shaft of the center motor.

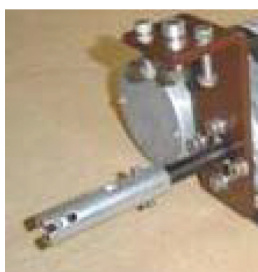
4. Ensure that all components are securely installed.



Headboard gearbox



Drive shaft end



Center motor

Figure 12

# Bed Assembly

## Junction Box Connections

1. To insert cords into the junction box, line the cords up with the appropriate receptacle on the junction box and push in until fully seated.
2. Install Cable Securing Strap around wiring as shown.
3. Snap Cable Securing Strap into place using tabs at top and bottom.
4. Check that all cables are secure.
5. Emergency Battery Box does not need to be connected when not in use.

**Caution: DO NOT** unplug the power cord from the junction box.

**Caution: DO NOT** plug in or unplug any wires unless the bed is unplugged from outlet.



Figure 13: Junction Box, Semi-electric bed

## Power Cord

**NEVER** operate the bed if it has a damaged cord or plug. If it is not working properly call a qualified electrician.

**NEVER** plug into an outlet that is greater than 120 Volts AC.

# Bed Operation

## Bed Operation – Hand Control

Allow a slight pause between adjustments and avoid pressing multiple buttons on the pendant hand control at the same time. If buttons are depressed too rapidly or multiple buttons are pressed at the same time, the desired feature may not activate. Simply release the button, permit a slight pause and then activate the next operation.

**NEVER** operate the bed if the pendant hand control or the power cord is damaged.

Before placing the bed into use, test it by operating it through all phases of its operation.

Check for obstructions or items in the path of the head, foot or bed before operating the hand control.



Figure 14: Hand control functions

Plug the bed power cord into an electrical outlet. The patient hand control has four separate functions - raising and lowering the head section and raising and lowering the foot section.

To **raise** the head section, press the button on the left side of the pendant hand control.

To **lower** the head section, press the button on the right side of the pendant.

To **raise** the foot section, press the button on the left side of the pendant hand control.

To **lower** the foot section, press the button on the right side of the pendant.

# Bed Operation

## Leveling the Bed

**Full Electric Bed:** Plug the bed power cord into an electrical outlet. Press and hold the patient hand control's "Bed Hi/Lo (Up)" button until the bed reaches its highest position. Next, press and hold the "Bed Hi/Lo (Down)" button until the bed reaches its lowest (and safest) position. The bed should be level. See Figure 14 for Hand controls.

**Semi Electric Bed:** Turn the center Hi-Lo crank counterclockwise. See Figure 15.



Figure 15: Semi Electric Bed: Hi-Lo hand crank

## Emergency Crank

Semi-electric and full electric beds can utilize an emergency crank that allows manual adjustment of the high and low function of the bed. The emergency crank can be stored in the links of the spring deck. **DO NOT** leave the emergency crank in place after power is restored and the bed pendant is being utilized.

### To Use the Emergency Crank:

1. Locate the exposed shaft end according to the function you want to perform.

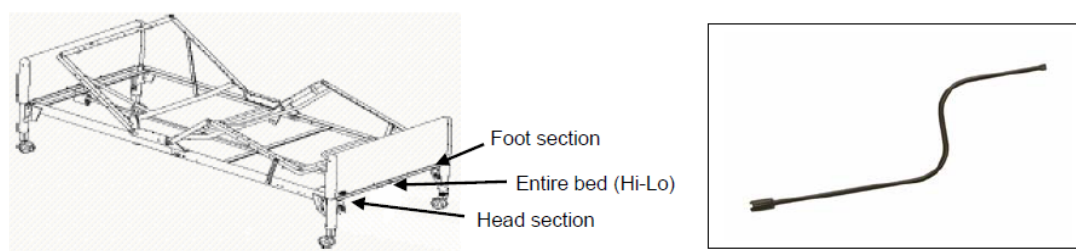


Figure 16. Emergency Crank and shaft positioning.

2. Attach the emergency crank to the shaft end of the desired function.
3. Push in and turn the crank clockwise to raise the desired function, counterclockwise to lower the function.

### Emergency Battery Box:

Semi-electric and full electric beds can utilize an emergency battery box that allows manual adjustment of the head and foot spring in the event of a power failure. **DO NOT** leave the battery box connected to the junction box while not in use. Be sure to check batteries regularly.



## To use the Emergency Battery Box:

1. 2 9 volt Alkaline batteries are needed to power the battery box.
2. Connect the battery box to the junction box in the port marked battery.
3. Once connected the head and foot spring can be lowered using the hand pendant.

## A Word About Optional Bed Rails

Optional bed rails are sold separately and come with an instruction sheet. **DO NOT** install the bed rails until you have read and understood all instructions. Variations in bed side rail design and thickness, size or density of the mattress could cause entrapment. Use **ONLY** authorized Medline products. Improper use of some bed accessories such as bed rails can cause patient injury or death.

## Bed maintenance

### Recommended Maintenance of Medline Homecare Beds

The following maintenance practices are recommended for Medline beds. For any questions, please call Medline Bed Technical Support at 1-800-289-9793. Press 1 and then press 3 (from 8:00 am to 5:00 pm Central Standard Time).

### Cleaning the Bed

Follow these steps for keeping your Medline bed in clean condition:

1. Unplug the full or semi-electric bed before cleaning.
2. Medline beds should not be washed down with a pressure washers or steam cleaner. Doing so can result in problems with the electrical system.
3. Inspect bed components for any exposed metal.
4. Electrical components (motor, junction box, and pendant which are rated as IP66), frame and head board/foot boards are washable with standard water pressure.
5. The headboard and footboard should be disconnected from the frame before cleaning. When cleaning the headboard and footboard, stand them in an upright position, and use a mild detergent and soft cloth. Gently scrub all exterior surfaces. The headboard and footboard can be rinsed thoroughly with warm water. **DO NOT** exceed a water temperature of 110 °F/43.3 °C.
6. Thoroughly dry all bed parts and components.
7. Disassemble the headspring and footspring assemblies before washing. When cleaning headspring and foot spring assemblies, stand the assemblies on edge and wash with a mild detergent. Using a soft sponge or brush, scrub all exterior surfaces. Rinse thoroughly, then completely towel dry all components.
8. To disinfect the bed, wipe down all surfaces of the bed with a disinfectant and allow to dry completely.

# Bed maintenance

## Inspecting the Bed

The following maintenance procedure should be followed on an as-needed basis:

1. Inspect casters to ensure they roll and lock properly.
2. Inspect pull tubes and motor drive shafts to ensure they are not bent, damaged or excessively worn.
3. Inspect headspring and foot spring sections for excessive wear, bent parts, or other damage.
4. Inspect all welds for cracks.
5. Check all spring decks to ensure links are in place and are not damaged.
6. Inspect all bolts and rivets to ensure they are tight and are not damaged.
7. Inspect all other mechanical parts to ensure there is no damage or excessive wear.
8. Inspect all bed motions: headspring raises/lowers properly, foot spring raises/lowers properly, bed height raises/lowers properly.
9. Ensure all electrical cables have no insulation damage and connectors are in proper working order.
10. Inspect the electrical junction box to ensure there are no cracks and the electrical power cord is not damaged.
11. Inspect all electrical bed components for damage or excessive wear (i.e. cracked or broken housing, worn components.)
12. Inspect pendant, power, and motor cords for excessive wear, insulation damage, or cuts.
13. Inspect all bolts that are at hinge points. Apply a minimal amount of lithium grease if needed.
14. Check the center drive shaft to ensure it is not bent and the ends are in good condition.

# Troubleshooting Guide

Problem	Possible Cause	Corrective Action
Nothing happens when the button is pressed on the patient hand control pendant.	Bed is not plugged in.	Plug the bed's power cord into an electrical outlet.
	Fuse is blown or your home's circuit breaker is tripped.	Check fuse or circuit breaker.
	Motor's thermal switch was tripped.	Let motor cool down and try again.
	Hand control is not connected to the motor control box.	Check to be sure pendant control is properly plugged in to the junction box.
	Power cord, junction box, hand control cord or cables are damaged or defective.	Call your Medline dealer for service and repair.
	End of stroke is reached.	Operate opposite button.
	Cords are not properly connected to the junction box.	Ensure cords are seated securely in the appropriate receptacle.
	Motor will not function after other possible causes have been eliminated.	Call your Medline dealer for service and repair.
The head (or foot) of the bed is always higher than the other end of the bed.	The bed ends were not leveled when the bed was assembled.	See instructions for "Leveling the Bed".
Only headboard (or footboard) raises when Hi-Lo adjustment is made.	The pin in the middle of the center drive shaft has fallen out, allowing the shaft to collapse and disengage.	Replace the pin and reconnect the center drive shaft into the shaft ends.
	The center drive shaft ends are not properly engaged with the pins at each end.	Check both ends of the drive shaft for proper connection.
	One or more of the pins in the center drive shaft have broken.	Call your Medline dealer for service and repair.
	Damaged mechanism inside the bed boards.	Call your Medline dealer for service and repair.
Back or knee section will not raise or lower even though you turn the crank.	There are internal problems with the drive shaft mechanism.	Check to see that the drive mechanism has been properly installed. May need to call your Medline dealer for service and repair.
	The pull tube is not correctly installed.	Ensure pull tubes are correctly connected. Check for binding. May need to call your Medline dealer for service and repair.
Hi-Lo function does not work.	semi-electric beds: crank not properly installed. Full electric bed: drive shaft disconnected.	Check/reinstall drive shaft. Ensure cord is in proper place on junction box. May need to call your Medline dealer for service and repair.
Pressing hand control buttons results in motion other than intended.	Motor cable connections to junction box are incorrect.	Verify cable connections to the junction box are in the correct receptacle.

# Limited Warranty

## The Medline Home Care Bed Limited Warranty

The Medline Home Care Bed mechanics and electronics are warranted to be free of defects in materials and workmanship for five (5) years for the original purchaser. Welds and frames are warranted for the life of the bed.

In the event of a defect covered by this warranty, we will, at our option, repair or replace the bed. This warranty does not cover failure due to owner misuse or negligence, or normal wear and tear. This warranty does not extend to non-durable components, such as casters, which are subject to normal wear and replacement. This warranty gives you specific legal rights and you may have other rights which vary from state to state.

If you have any questions regarding your Medline Home Care Bed or this warranty, please call us Toll Free at: 1-800-MEDLINE (1-800-633-5463).

### Please Note:

#### Semi Electric bed:

Two motors raise and lower the Head Spring and Foot Spring assemblies of this Split-Spring Home Care Bed. These two motors are controlled by a Hand Pendant that is used by the patient or care-giver to adjust the bed to either a comfortable or functional position for its user. The two motors run on 24 volts DC with an onboard transformer to convert the 120 volt AC power. A handle located at the foot of the bed manually controls the bed height.

#### Full Electric bed:

Three motors raise and lower the Head Spring assembly, Foot Spring assembly and the bed height of this Split-Spring Home Care Bed. These three motors are controlled by a Hand Pendant that is used by the patient or care-giver to adjust the bed to either a comfortable or functional position for its user. The three motors run on 24 volts DC with an onboard transformer to convert the 120 volt AC power.

The Medline Home Care Bed can be prescribed by Physicians and has been designed for Home Care rehabilitation and extended care applications.



**Medline Industries, Inc.**

Three Lakes Drive, Northfield, IL 60093 USA.

1-800-MEDLINE (633-5463)  
medline.com | info@medline.com

FOLLOW US



#### Medline United States

1-800-MEDLINE (633-5463)

www.medline.com | info@medline.com

#### Medline Canada

1-800-396-6996

www.medline.ca | canada@medline.com

#### Medline México

01-800-831-0898

www.medlinemexico.com | mexico@medline.com

Some products may not be available for sale in Mexico or Canada. Please contact your Account Representative for additional information.

We reserve the right to correct any errors that may occur within this instruction sheet. ©2019 Medline Industries, Inc. Medline is a registered trademark of Medline Industries, Inc.