

UTILIGHT SGN LED

UTILIGHT SGN LED is a low power LED luminaire designed for emergency escape lighting installed inside buildings. Depending on the mounting type allows for the surface, suspended or recessed installation. Its main task is to indicate escape routes by means of internally illuminated evacuation signs in the ISO 7010 standard.

The luminaire consists of two parts. The main part with electronics, battery, LED strip and lamp shade for evacuation sign is invariable of mounting method. The mounting part is variable and is dedicated to various types of mounting. Apart from the mounting method, the form of the luminaire is always the same. It is possible to order luminaire without a lamp shade with evacuation sign. It can be mounted after the luminaire's installation. UTILIGHT is compatible with all emergency lighting systems offered by HYBRYD.



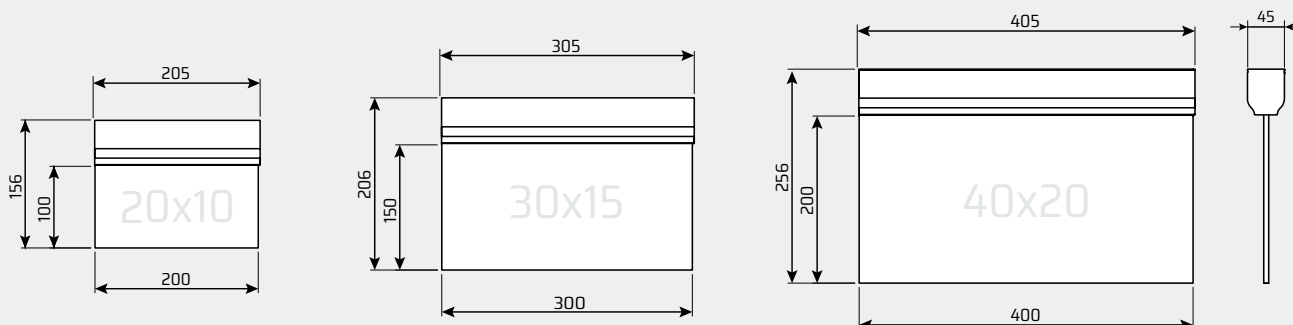
CE IP40 IP54

Safety sign visibility:

20x10cm  20m

30x15cm  30m

40x20cm  40m



LUMINAIRE FEATURES

- Luminaire shows the directions of escape
- LED indicators signalling the luminaire state
- Deep discharge battery protection
- Maintained/non-maintained or switched maintained operation mode
- Possibility of connecting to the monitoring system or collective power supply system
- A lot of mounting types
- Housing is made of aluminum, lamp shade of PMMA
- Installation inside the building
- Three size variants

AVAILABLE SYSTEMS

STANDARD - (ST) tests commissioned manually

AUTOTEST - (AT) internal components, battery and light source tests being performed automatically

CENTRALTEST - (CT) internal components, battery and light source tests being performed on command from the main unit of central management system

DALI - (DA) luminaire test activated remotely through the SSP or BMS system

CB - luminaire supplied from HVCBS (230V AC / 216V DC / 108V DC), without address module

CBAM - luminaire supplied from the HVCBS (230V AC / 216V DC), with built-in address module

LV - luminaire supplied with 24V DC from the LVDBS system, without address module

LVAM - luminaire supplied with 24V DC from the LVDBS system, with built-in address module

TECHNICAL DATA

Supply voltage	ST/AT/CT/DA	230V AC 50/60Hz
	CB/CBAM	230V AC 50/60Hz 170 - 275V DC
	LV/LVAM	15 - 32V DC
Current consumption	CB	9mA @216V DC
	CBAM	10mA @216V DC
	LV LVAM	63mA @24V DC 75mA @24V DC
Power consumption	ST/AT/CT/DA	M ¹⁾ : charging 4W@230V AC, standby 2W@230V AC NM ²⁾ : charging 2.3W@230V AC, standby 0.2W@230V AC
	CB	2W@230V AC
	CBAM	M ¹⁾ : 2.2W@230V AC NM ²⁾ : 0.8W@230V AC
Power factor	ST/AT/CT/DA	0.4
	CB/CBAM	0.42
Protection class	ST/AT/CT/DA/CB/CBAM	I
	LV/LVAM	III
Ingress protection		IP40, IP54 ³⁾
Light source		LED strip ⁴⁾
Light colour temperature		5000 - 5700K

Colour rendering index		70
Light source supply power		1W
Sign visibility	20x10cm ⁵⁾	20m
	30x15cm	30m
	40x20cm	40m
Light source lifespan		> 50 000h
Battery type	ST/AT/CT/DA	Li-Ion
Battery capacity	ST/AT/CT/DA	0.7Ah; 2.2Ah; 4.4Ah
Battery charging time	ST/AT/CT/DA	12h
Emergency operation time	ST/AT/CT/DA	1h; 3h; 8h
	ST/AT/CT/DA	+5 - +40°C
Ambient temperature	CB/CBAM	-25 - +55°C
	LV/LVAM	-25 - +60°C
Supply cable cross-section area		0.5 - 2.5mm ²
Supply cable diameter		≤ 17mm
Communication cable diameter		≤ 7mm
Suitable for through wiring		YES
Suitable for surface wiring		YES (C146 only)

¹⁾ M - maintained mode; ²⁾ NM - non-maintained mode; ³⁾ Special version, 0054 variant;

⁴⁾ Non-exchangeable but serviceable light source; ⁵⁾ Sign dimensions

MATERIAL

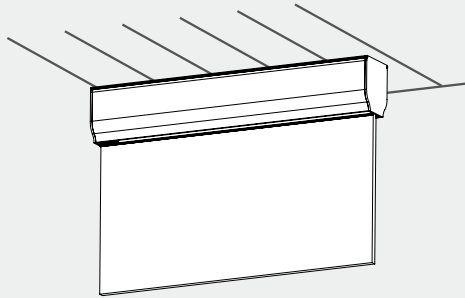
Housing material - powder coated aluminum

Housing colour - ○ RAL 9003, other colours on special order

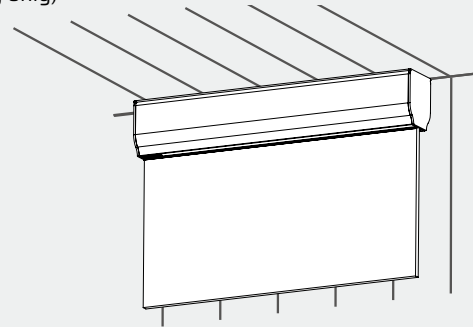
Lamp shade material - clear PMMA

MOUNTING TYPES

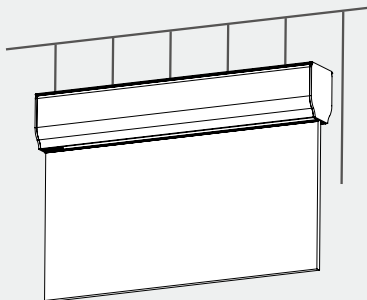
C142 - directly to the ceiling



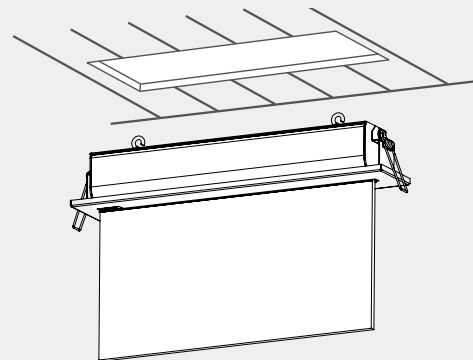
C146 - directly to the ceiling or back to the wall (for surface wiring only)



W140 - back to the wall

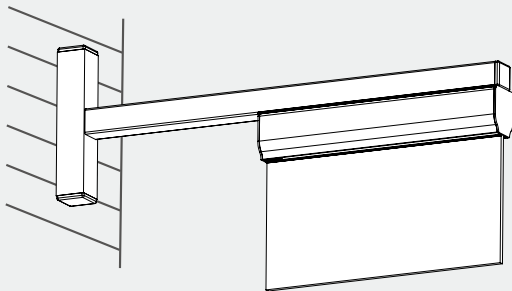


C145 - recessed (may also be ordered as C142 + C245 mounting kit)

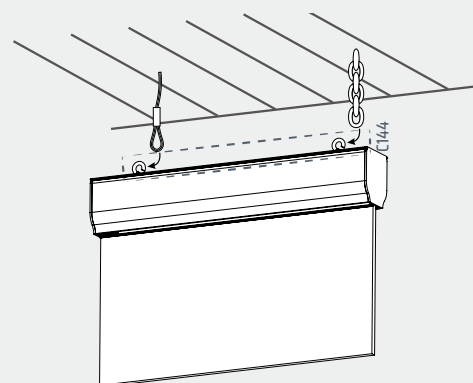


MOUNTING KITS*

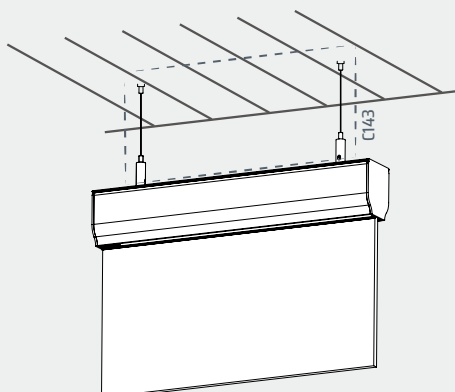
W141 - semaphore (C142 + W141 mounting kit)



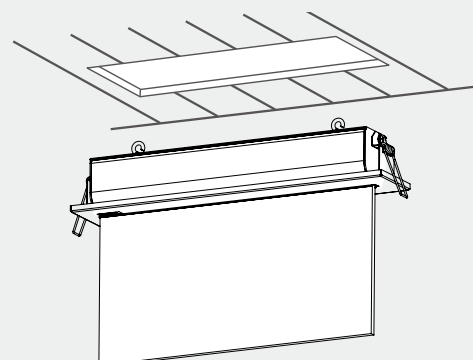
C144 - suspended with cords or chains (C142 + C144 mounting kit, cords or chains¹⁾)



C143 - suspended with cords and easy height adjustment (C142 + C143 mounting kit)

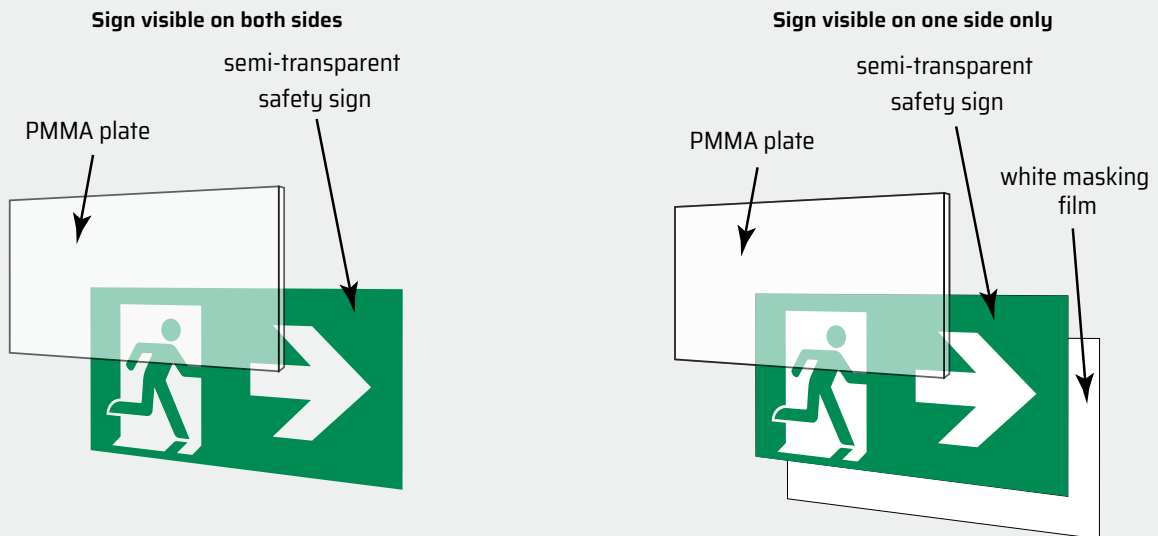


C245 - recessed supplied as self-assembly kit



¹⁾ mounting kits ordered separately from luminaire ²⁾ cords or chains defined while ordering

UTILIGHT SHD CONSTRUCTION



SAFETY SIGNS

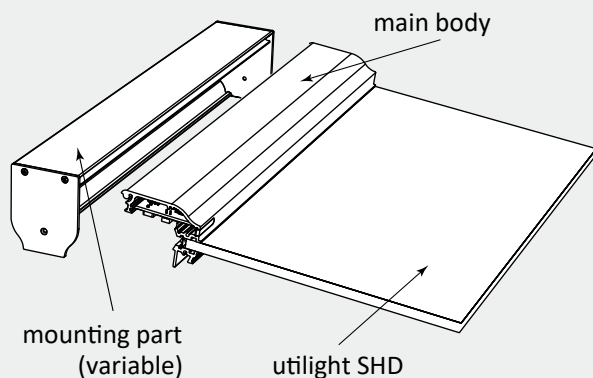
Signs visible on both sides

P03	WYJŚCIE EWAKUACYJNE	PI21	
P04	EXIT	PI22	
PI05		PI23	
PI06		PI24	
PI15		PI25	
PI17		PI26	
PI18		PI27	

Signs visible on one side only

P03/00	WYJŚCIE EWAKUACYJNE	PI21/00	
P04/00	EXIT	PI22/00	
PI05/00		PI23/00	
PI06/00		PI24/00	
PI15/00		PI25/00	
PI17/00		PI26/00	
PI18/00		PI27/00	

LUMINAIRE CONSTRUCTION



UTILIGHT SHD ORDERING

UTILIGHT SHD 0000 - 30x15 - PI21 - HYB
Safety sign dimension:
20x10 - 20x10cm
30x15 - 30x15cm
40x20 - 40x20cm
Safety signs:
... - see table „Safety signs”
X - transparent lamp shade (without sign)

SET OF SAFETY SIGNS



The set consists of 4 safety signs, ~10x10cm or ~15x15cm stickers.

It allows to compose your own sign PIXX from „Safety signs“ table by selection stickers and arrow rotation.

ORDERING

	UTILIGHT SGN LED	0000	-	30x15	-	ST	-	M	-	3h	-	9003	-	C142	-	PI21
Variant:																
0000 - base variant																
0001 - extended warranty variant ¹⁾																
0008 - significantly extended warranty variant ²⁾																
0054 - IP54 variant																
0154 - IP54 with extended warranty variant																
0854 - IP54 with significantly extended warranty variant																
Safety sign dimension:																
20x10 - 20x10cm																
30x15 - 30x15cm																
40x20 - 40x20cm																
System variant:																
ST - standard																
AT - autotest																
CT - centraltest																
DA - DALI																
CB - centrally supplied luminaire																
CBAM - centrally supplied luminaire, with address module																
LV - centrally low voltage supplied luminaire																
LVAM - centrally low voltage supplied luminaire, with address module																
Emergency operation time:																
1h - emergency operation time of 60 minutes																
3h - emergency operation time of 180 minutes																
8h - emergency operation time of 480 minutes ³⁾																
X - not applicable (CB, CBAM, LV, LVAM)																
Operation mode:																
M - maintained/non-maintained																
SM - switched maintained ⁴⁾																
CI - cinema ⁵⁾																
X - not applicable (CB, CBAM, LV, LVAM)																
Housing colour:																
9003 - <input type="radio"/> RAL 9003																
... - on special order																
Mounting:																
W140 - back to the wall																
C142 - directly to the ceiling																
C145 - recessed																
C146 - directly to the ceiling or back to the wall																
X - without mounting part (the part ordered at a later time)																
Safety signs:																
... - see table „Safety signs“																
S - set of safety signs																
X - without PC plate (Utilight SHD ordered separately)																

¹⁾ enlarged battery for 1h version; ²⁾ long life capacitors in the emergency module, enlarged battery for 1h version;

³⁾ 8h emergency operation time is not available for 20x10 luminaires; ⁴⁾ SM operation mode is not available for 20x10 luminaires;

⁵⁾ ST and CT system versions only, CI operation mode is not available for 20x10 luminaires