



EVOHEAT J-BOX MANUAL

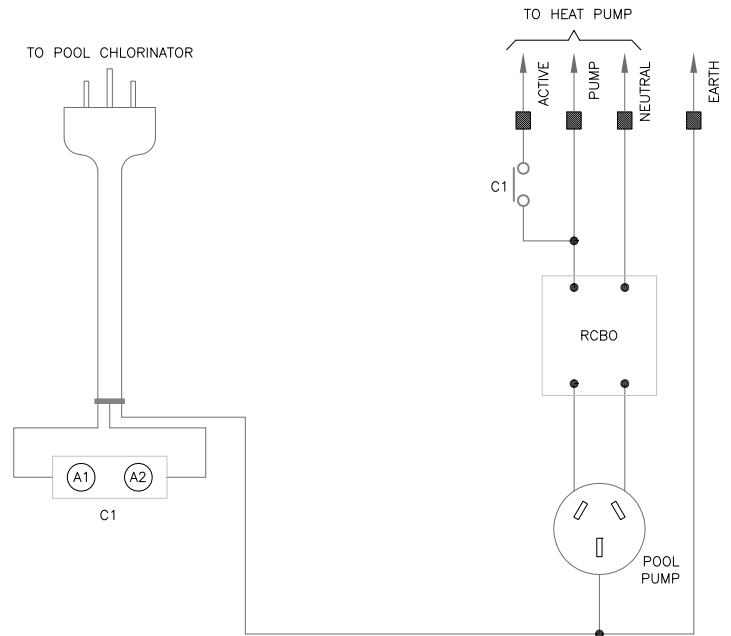
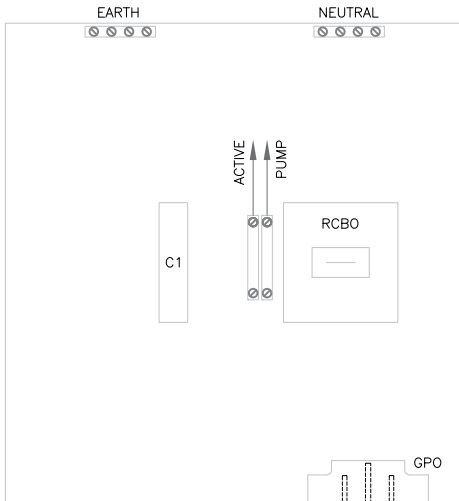


Installation & Operation

**Read this manual carefully before
installing or operating this unit**

JBOX INSTALL GUIDE

EVOHEAT JBOX SCHEMATIC



NOTES:

- CONNECT ACTIVE TO UNIT ACTIVE
- CONNECT PUMP TO PUMP TERMINAL 1
- CONNECT NEUTRAL TO PUMP TERMINAL 2

EVOHEAT ELECTRICAL CONNECTION



NOTE: heat pump, Jbox and water pump all on the same circuit



IMPORTANT: A licensed electrician must read the information in this manual before commencing

- Ensure power is disconnected from all equipment during installation or service
- Always comply with the national and local electrical codes and standards
- **IMPORTANT:** Ensure electrical cable size is adequate for requirements at the installation location. The Heat pump may come supplied with a 10amp or 15 amp plug. When wiring up the J-Box to the heater you will need to take into account the total draw from the heat pump and water pump. You may need to remove the 10/15amp plug and hardwire into a larger circuit for the heat pump and water pump.

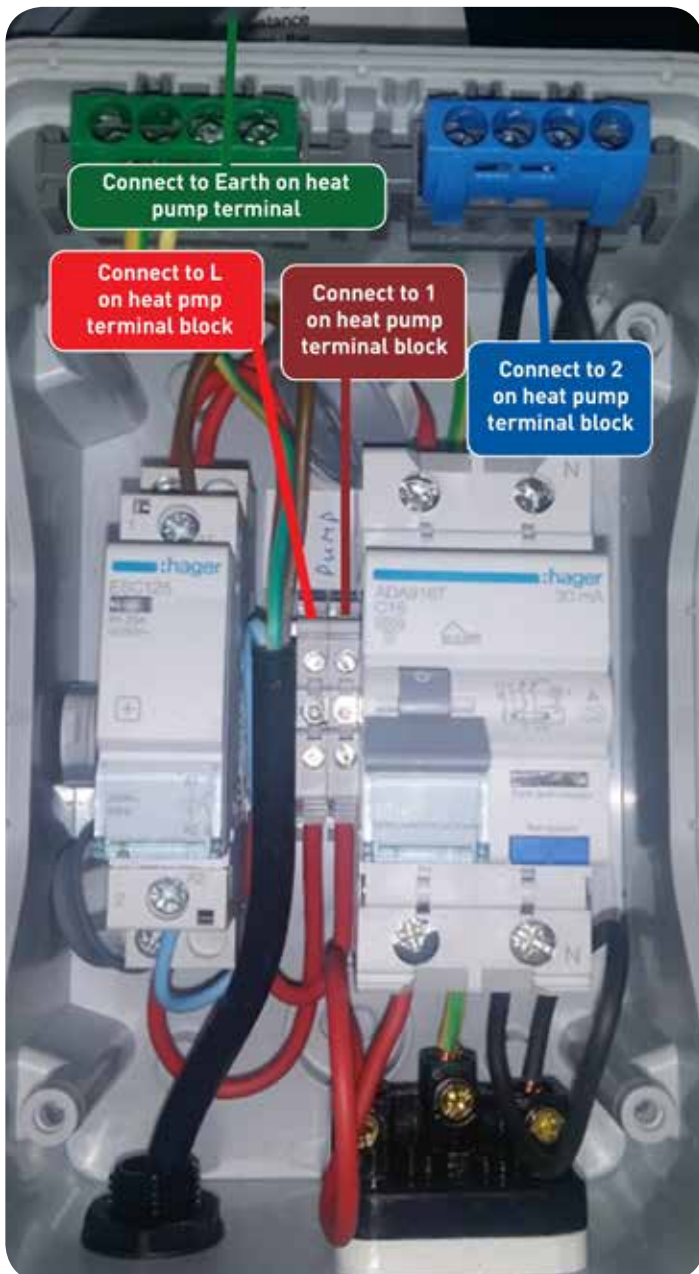
EVOHEAT JBOX WIRING CONNECTIONS

Wire up heat pump to mains power at L,N, and Earth on the Mains input terminals on heat pump as per image below. Wire up EvoHeat JBox connections as per JBox image below. L terminal on the heat pump should have 2 cables connected (1 to power supply and 1 to the JBox).

Connect 1 (water pump active) to the location on JBox shown below (right hand side of small terminal block)

Connect 2 (water pump neutral) on the heat pump terminal block to the blue terminal strip on the JBox

Connect earth terminals from both units





THE SPECIALISTS IN POOL AND SPA HEATING

EvoHeat are 100% Australian owned and operated company and are the industry specialists in pool and spa heat pumps. For over a decade we've been building a solid reputation for pool and spa heating products that are renowned for reducing your energy bills and delivering reliability.

Our exclusive pool heaters are durable and utilise cutting edge components sourced from leading brand manufacturers around the world. Unlike other suppliers, EvoHeat only specialise in heat pump technology and are constantly developing and improving our heating applications to ensure we offer you the best in the market.

JBOX WARRANTY



For further peace of mind the EvoHeat JBox comes with a 1 year warranty.



EVO INDUSTRIES AUSTRALIA PTY LTD

P: 1300 859 933 FAX: 07 3376 2669

E: sales@evoheat.com.au

www.evoheat.com.au