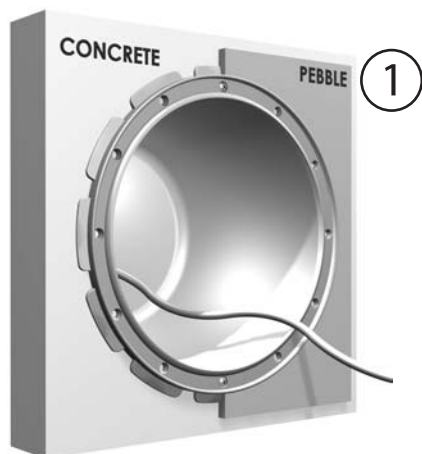


MODEL: GK6710

Mounting kit to replace Filtrite type lights.

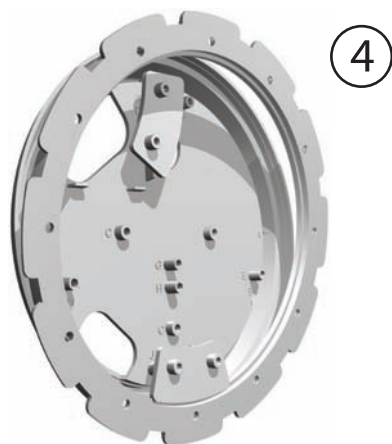


1. Remove the existing Filtrite light from the pool and disconnect the cable as close as possible to the old light, this leaves the maximum length of cable available to connect to your new light.

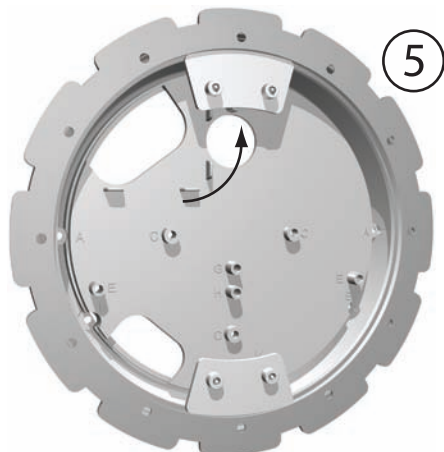


2. Select Spa Electrics plate 'B' and loosely attach the bottom clamp to the back of plate 'B' using holes 'J' and 'K' with the screws provided. Place one screw through hole 'D' and loosely attach the second clamp with only one screw, this allows the clamp to pivot into position later.

3. Feed the existing cable through plate 'B'.



4. Fit plate 'B' to the plastic ring of the Filtrite light that is fixed to the pool wall (ensuring that the bottom clamp is positioned within the groove behind the Filtrite plastic ring). Tighten the two screws for the bottom clamp.



5. Rotate the top clamp into position through the 12 o'clock slot on plate 'B' using your finger, then (ensuring that the top clamp is positioned within the groove behind the Filtrite plastic ring) place the second screw through hole 'F' and tighten the top clamp.

6. Refer to the installation instructions for the Spa Electrics Retro light to complete the installation of your new light.