

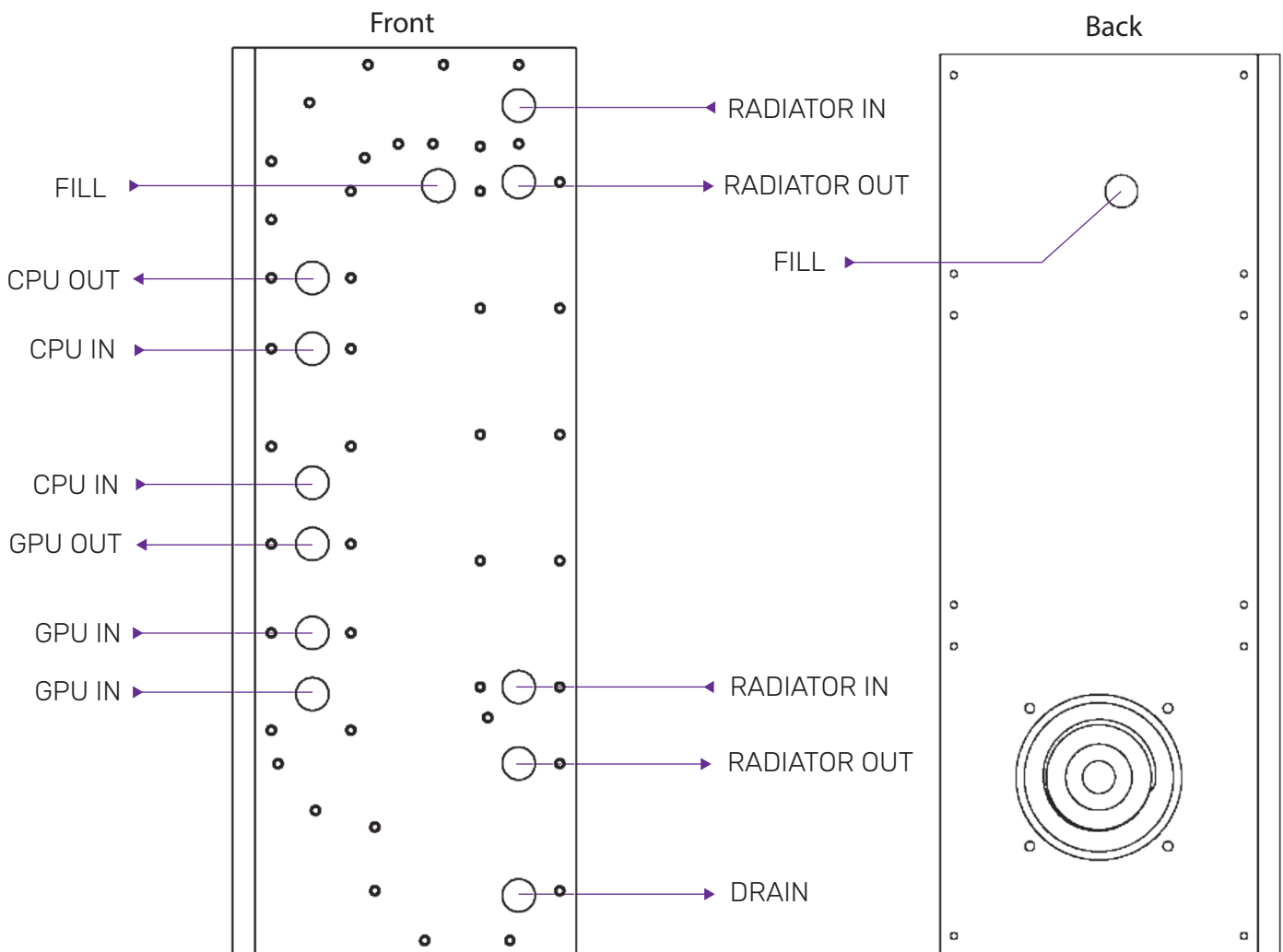


HIGH QUALITY
MADE IN GERMANY

1. PREPARATION - PLANNING THE WATER CIRCUIT

Take a look at the connection overview and plan your water circuit accordingly. The CPU and GPU are connected in parallel. Be sure to use the correct inputs and outputs for the CPU and GPU.

If only the CPU or GPU ports are used, additional stop settings are provided.



2. PACKAGING CONTENT WARNING

This product is intended for advanced users. Improper installation may result in damage to your equipment. While every effort has been made to provide the most comprehensive information possible, Stealkey Customs assumes no liability, express or implied, for damage to your components resulting from the use of Stealkey Customs cooling products, whether due to errors or omissions on our part in the instructions below, or due to errors or defects in Stealkey Customs cooling products. Do not disassemble the water block. Doing so will void the warranty. Turn off your system and discharge your body's static charge before proceeding with the installation. If you do not feel comfortable performing the installation procedure, contact a qualified computer technician.

Mounting screws



8x M3

RGB cable

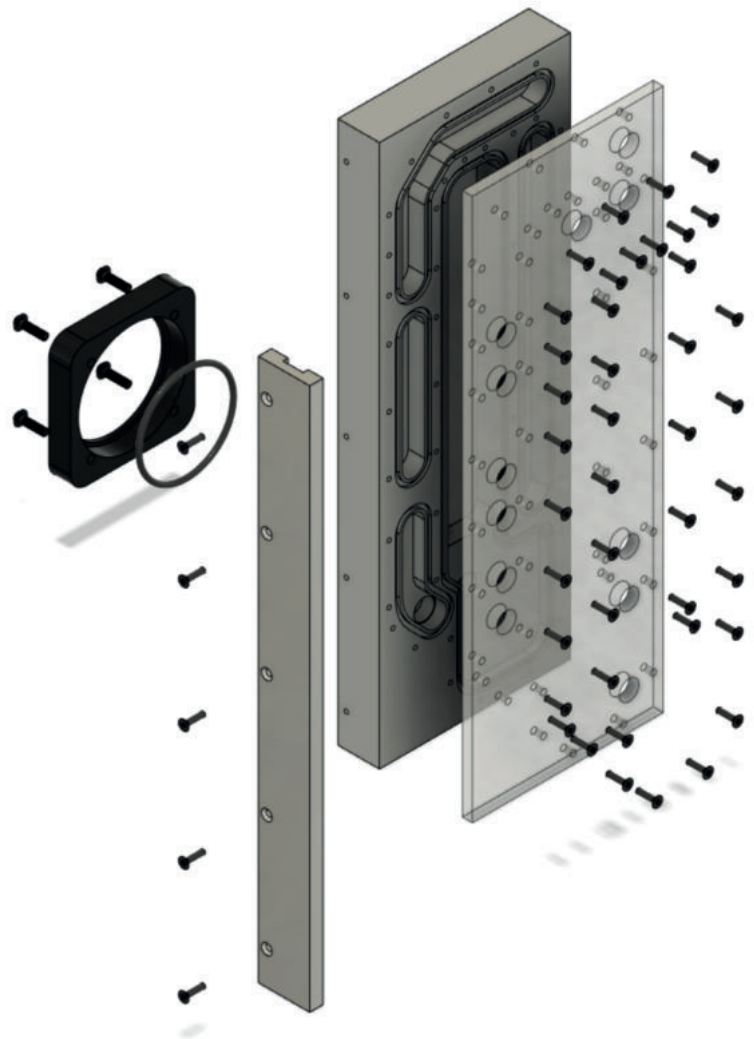
1x D-RGB 3pin
(500mm cable)

optional accessories
(not included in delivery)

1x spacer

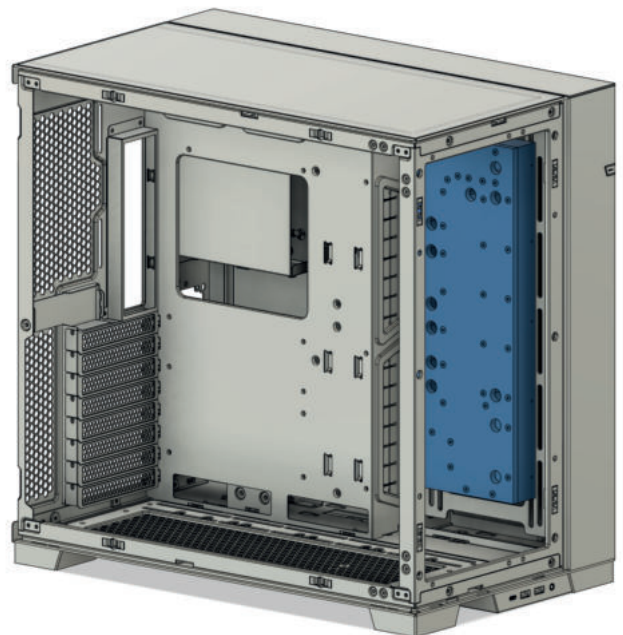
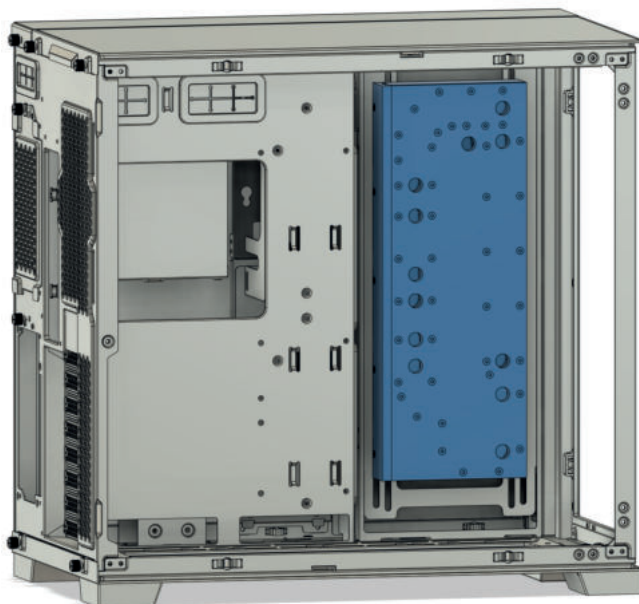
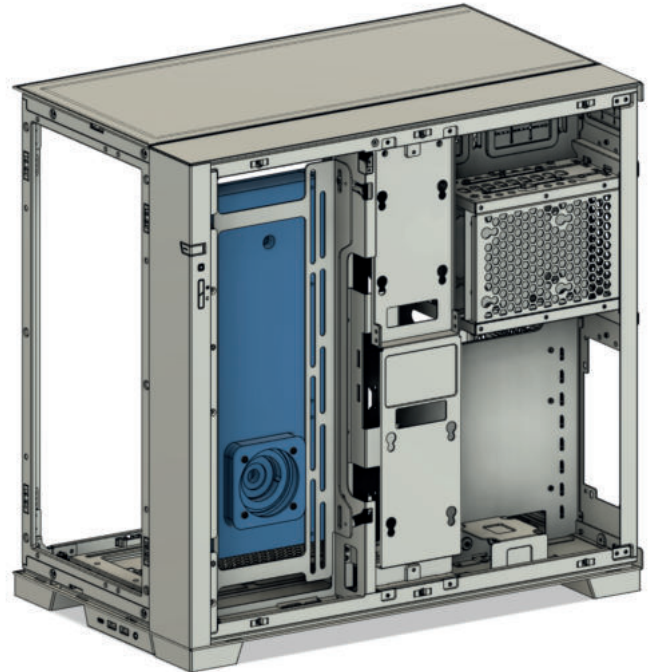
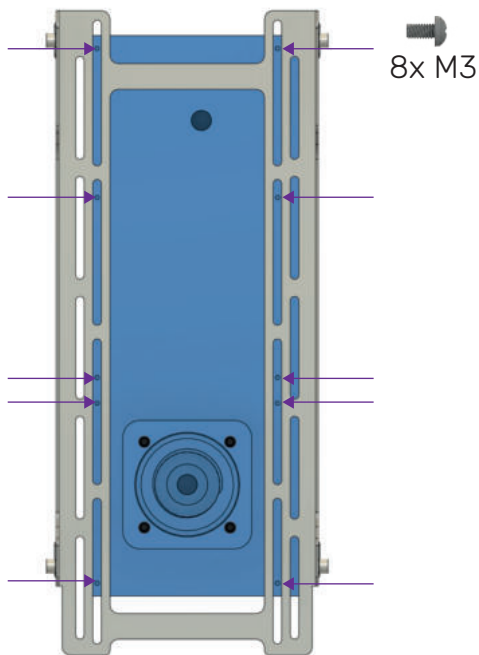


SK-Crossflow Distroplate included pump seal



3. INSTALLING THE DISTROPLATE

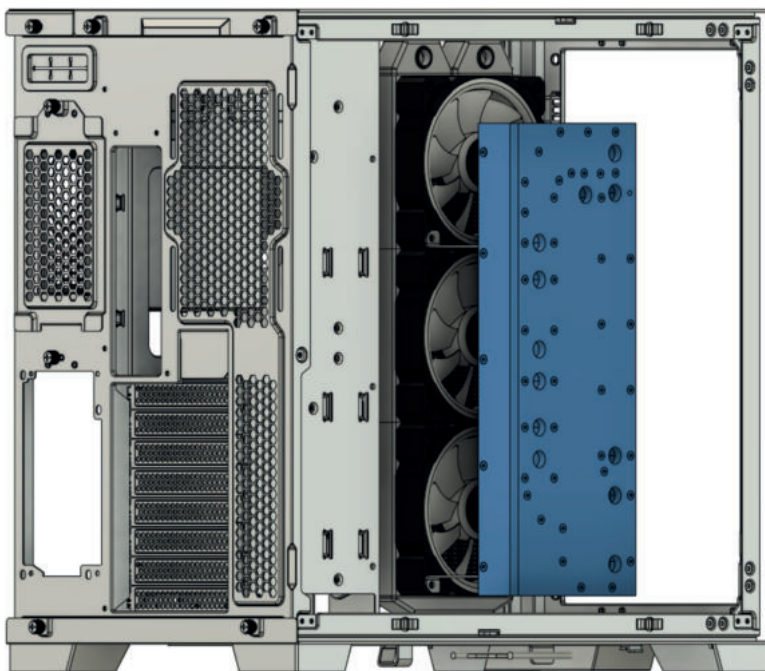
Install the distroplate on the radiator grille. Use the 8 M3 screws provided (10 mounting holes, not all need to be used). Do not overtighten the screws (3-5 N/m maximum).



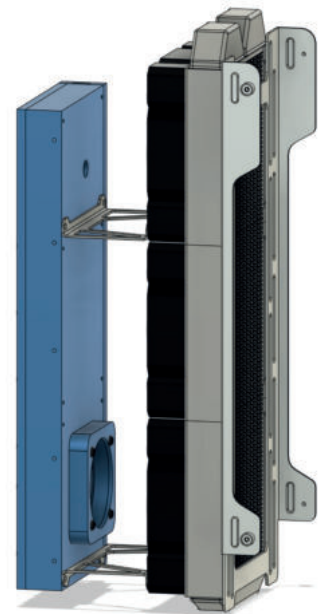
3. INSTALLING THE DISTROPLATE

When installing the Crossflow in front of a radiator/fan, spacers must be installed to ensure sufficient space for the D5/DDC pump.

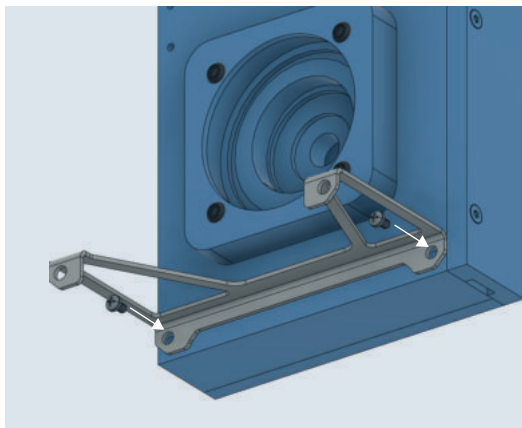
picture 1



picture 2



Spacer ensures sufficient space (approx. 58mm) between distroplate and fan (on picture 2 only D5 pump adapter is shown). Spacer must be purchased additionally!



Use M3 mounting screws to fasten the spacers.

Use the fan screws of the fans to fix the spacers together with the distroplate to the fans.



4. CONNECTING THE D-RGB CABLE

Connect the D-RGB cable to a compatible motherboard.

5. INSTALLING THE CONNECTIONS

Mount the connections with G1/4 thread and close the remaining connections with sealing plugs. Always perform a leak test before applying power to the system components (max. 0.5 bar).

Align the screw positions.

Carefully loosen the shut-off valve of the filling connection to allow trapped air to escape.

6. CLEANING & CARE

Clean the manifold plate only with microfiber cloths to avoid scratches in the material.- Do not use cleaners containing alcohol to avoid stress cracks in the material. Before installing the manifold plate, it is recommended to rinse the manifold plate to remove any last residues. Acrylic paints can leave residues.

7. DISTROPLATE DIMENSIONS

The dimensions are in mm.

