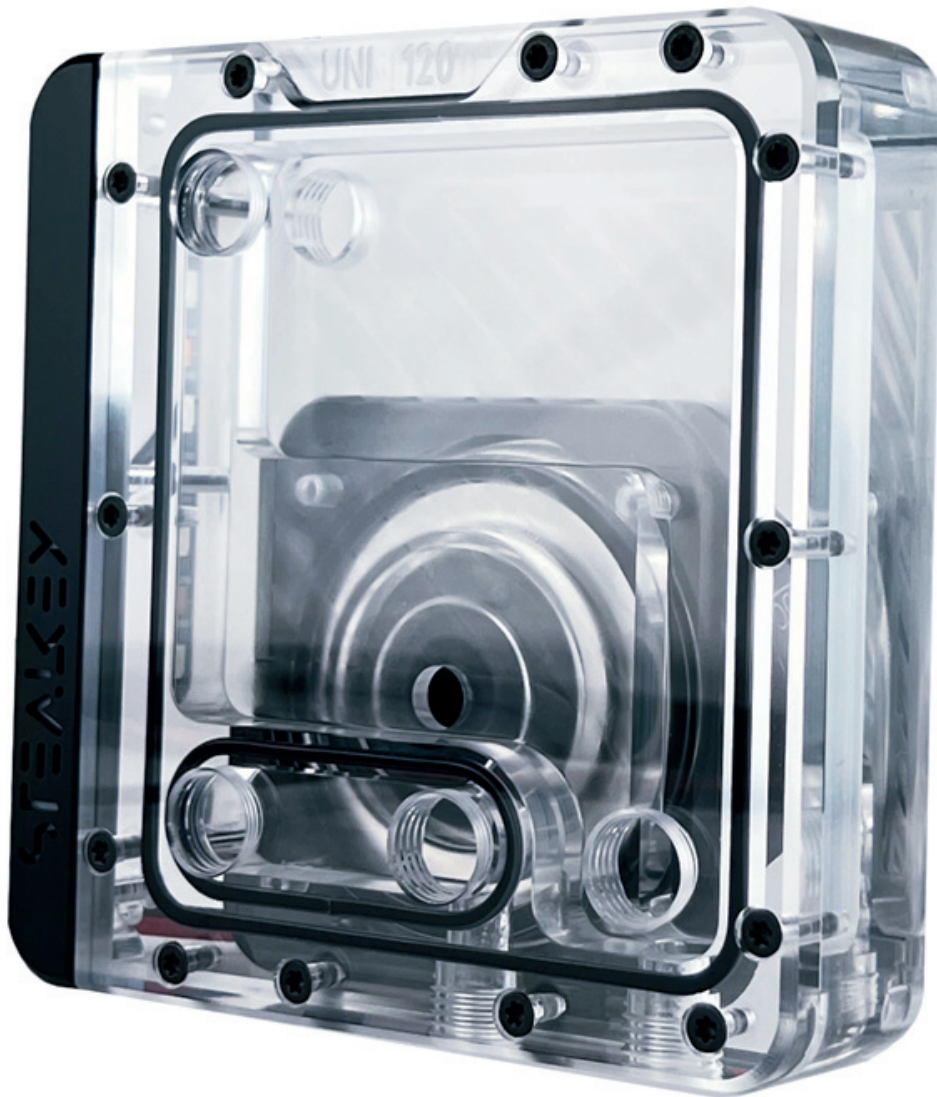




UNI 120

Montageanleitung

Assembly Instructions



HIGH QUALITY
MADE IN GERMANY

1

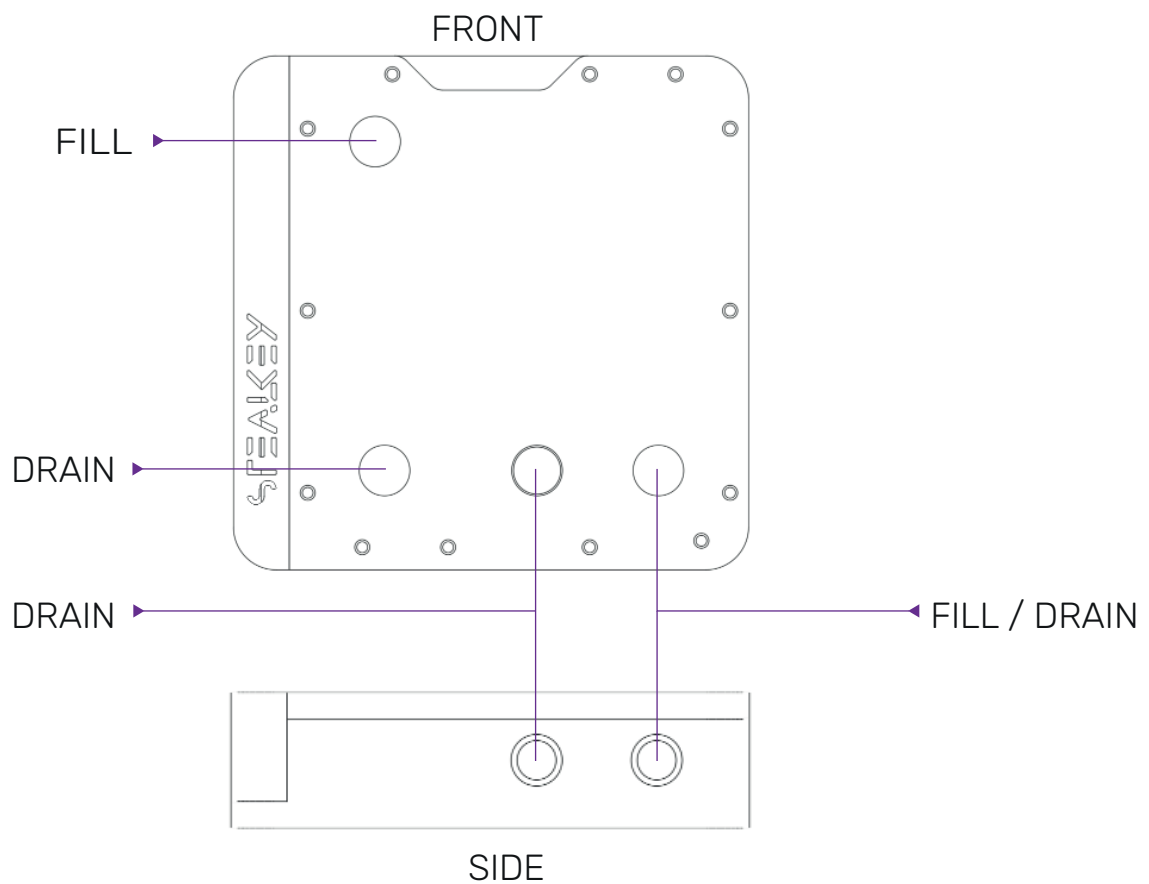
PNr.: SW10083

EAN: 4260754980300

1. PREPARATION - WATER LOOP PLANNING

Have a look at the port overview and plan your water loop accordingly.

The UNI 120 offers many possibilities to connect your system. We show only one possible combination.



2. PACKAGE CONTENTS

WARNING - This product is intended for advanced users. Improper installation may result in damage to your equipment. While all efforts have been made to provide the most comprehensive information possible, Stealkey Customs assumes no liability expressed or implied for any damage(s) occurring to your components as a result of using Stealkey Customs cooling products, either due to mistake or omission on our part in the below instructions, or due to failure or defect in the Stealkey Customs cooling products. Do not disassemble the water block. Warranty will be voided. Turn on the power to your system and discharge your body's static electric charge before proceeding with the installation procedure. If you do not feel comfortable with performing the installation procedure, consult a qualified computer technician.

Mounting screws

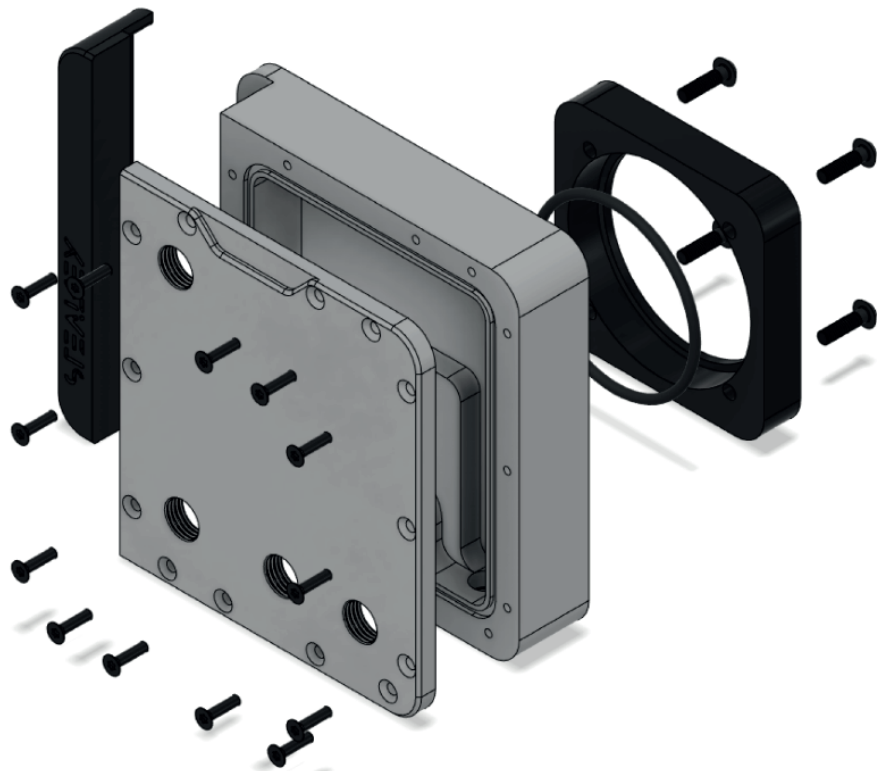


4x M3

RGB Cable

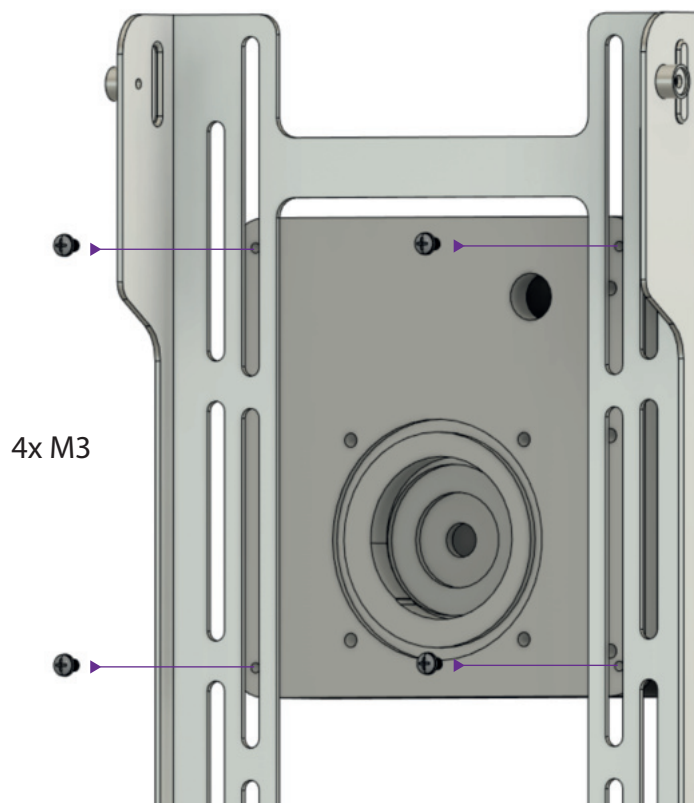
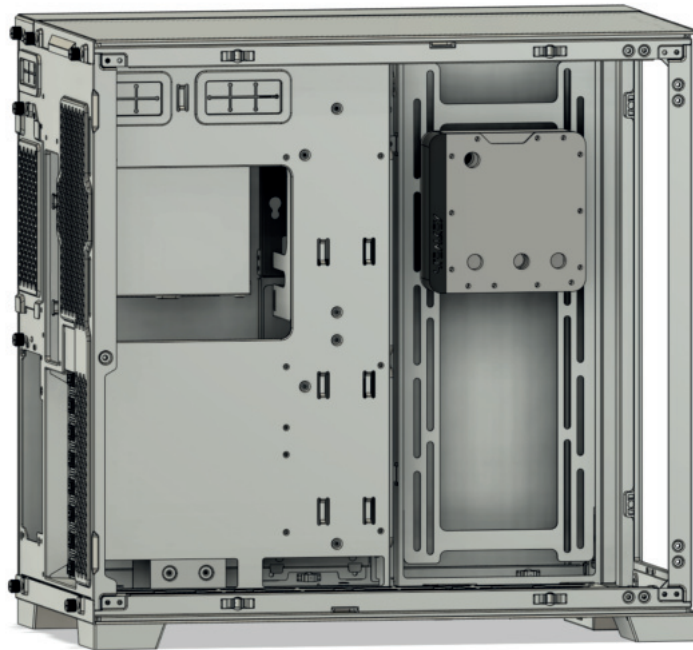
 1x D-RGB 3pin
(500mm cable)

UNI 120



3. INSTALL THE RESERVOIR

Install the reservoir with the M3 screws to the right of the mainboard on the radiator grille. Do not overtighten the screws (maximum 3-5 N/m).





4. CONNECT THE D-RGB CABLE

Connect the D-RGB Cable to a compatible motherboard.

5. INSTALLING FITTINGS

Install G1/4 threaded male settings and close the remaining ports with Stop Fittings.

Always perform a leak test before providing power to any system components (Max pressure of 0,5 bar).

Align the screw positions.

Carefully loosen the fill port stop fitting to let trapped air bleed out.

6. CLEANING & CARE

Clean the reservoir only with microfibre cloths to avoid scratching the material.

Do not use alcohol-based cleaners to avoid stress cracks in the material.

Before installing the reservoir, it is recommended to flush the reservoir to remove the last residues.

Acrylic paints can leave residues.

7. RESERVOIR DIMENSIONS

Specifications are in mm.

