

BADU[®]JET IMPERIAL

Counter Swimming Unit
Sistema de Nado Contra Corriente



SPECK X
pumps

Technical Support:

Address: Speck Pumps
8125 Bayberry Road
Jacksonville, FL. 32256
USA

Hours: (Monday - Friday) 8:00 am to 5:00 pm EST

Toll Free: 800-223-8538

Phone: 904-739-2626

Fax: 904-737-5261

Website: www.usa.speck-pumps.com

Manufactured by Speck Pumps, Jacksonville Florida USA, © 2017 All Rights Reserved.
This document is subject to change without notice.

Safety

Safety is emphasized throughout the user manual. These are safety alert symbols (**CAUTION, WARNING, and DANGER**). They alert the user of potential personal injury hazards. Obey all safety messages to avoid possible injury or death or damage to equipment.

Date of Installation:	
Installed by:	
Serial Number:	
For Service Call:	

Table of Contents

1	<i>Important Safety Instructions</i>	4
	SwimJet Combination Fitting Manufacturers Warnings.	4
	General Safety Instructions.	5
2	<i>General Description</i>	6
3	<i>Operation</i>	7
	Controls Overview.	7
	Basic Operations	7
	Getting Started	7
4	<i>Service and Maintenance</i>	8
	Priming the Pump	8
	Testing the GFCI	8
	Stainless Steel	9
	Nozzle Adjustment	9
	Winterizing	10
5	<i>Frequently Asked Questions</i>	11
	Frequently Asked Questions	11
	Troubleshooting	12
6	<i>Product Specification</i>	14
	Replacement Parts and Exploded View	14
7	<i>Limited Warranty</i>	16

BaduJet IMPERIAL Certifications



Complies with UL 1563
 CSA C22.2 No. 218.1-M89
 Swimming Pool Equipment
 Listing #E212148



VGB 2008

1 Important Safety Instructions

WARNING: Before Installing this product, read and follow all warning notices and instructions which are included. Failure to follow safety warnings and instructions can result in severe injury, death, or property damage. Call 1-800-223-8538 or visit www.usa.speck-pumps.com for additional copies of these instructions.

Swim Jet Combination Fitting - Manufacturers Warnings

MUST BE INSTALLED by an experienced and qualified pool industry professional **ONLY**.

Attention Installer: This manual contains important information about installation, operation, and safe use of this product. This information should be given to the owner and/or operator of this equipment. Most Federal, State and Local codes regulate the construction, installation and operation of pools and spas. It is important to comply with these codes, many of which regulate the installation and use of this product.

1. **DO NOT** locate this fitting in seating areas or on the back rests for such seating areas.
2. This fitting should be mounted in the vertical pool wall only per manufacturer's instructions.
3. All fittings and fasteners should be examined for damage or tampering before each use.
4. Any missing, broken, or cracked fittings must be replaced before using this product. Only genuine Speck replacement parts may be used.
5. Acceptable fittings/pipe sizes are listed on page 7 of this manual. No other sizes are permitted.
6. Never exceed the maximum flow rate stated on this product.
7. The anti-entrapment cover must be in place when using this product. **DO NOT** use this product if the cover is missing, broke or loose.
8. The stainless steel anti-entrapment cover (part# 93.1) should be replaced within 20 years from installation date. The suction housing (part # 93) should be replaced within 10 years from installation date.
9. Installation requires a Phillips screw driver. All screws should be hand tight only. **DO NOT** use electrical or air drills.
10. Consult your physician before exercising with the BaduJet Imperial or using the massage hose.
11. **DO NOT** permit children to use this product unless they are closely supervised at all times.
12. **DO NOT** remove any safety alert labels such as **DANGER**, **WARNING**, or **CAUTION**. Keep safety alert labels in good condition and replace missing or damaged labels.
13. Stay alert, watch what you are doing and use common sense. **DO NOT** use unit if you are tired and/or exhausted. **DO NOT** use unit while under the influence of drugs, alcohol, or any medications.
14. **CAUTION: DO NOT** increase pump size; this will increase the flow rate through the system and exceed the maximum flow rate stated on this product.

IMPROPER INSTALLATION OR USE OF THIS PRODUCT MAY PRESENT A RISK OF HAIR OR BODY ENTRAPMENT AND DROWNING. Install this equipment in accordance with the instructions provided.

Swim Jet Combination Fitting - Manufacturers Warnings - continued

As the manufacturer, Speck Pumps - Pool Products, Inc., hereby certifies that their Swim Jet Combination Fitting meets or exceeds the requirements of the Virginia Graeme Baker Pool & Spa Safety Act, VGB 2008 and ANSI/APSP 16 standards and safety regulations as set forth by the Consumer Products Safety Commission.

“Read, and then keep these instructions for future reference”

General Safety Instructions

The following guidelines provide information to minimize the risk of injury to users of pools, spas, and hot tubs.

WARNING: TO REDUCE THE RISK OF ENTRAPMENT HAZARD



Pool and spa pumps produce high levels of suction, which can pose extreme danger if a person comes in close proximity to an open pool or spa drain or if a drain cover is loose, cracked, broken or missing. Pool and spa pumps move large volumes of water, which can pose extreme danger if a person's hair comes in close proximity to a drain that is not the proper size for the pump or pumps.

If not an approved single, unblockable outlet, a minimum of two functioning suction outlets per pump must be installed. Suction outlets in the same plane (i.e. floor or wall) must be installed a minimum of three (3) feet (1 meter) apart, as measured from center point to center point. Dual suction fittings shall not be located on seating areas or on the backrest for such seating areas. If any suction outlets are located closer they shall be located on two different planes (i.e. one on the bottom and one on the vertical wall, or one each on two separate vertical walls).

WARNING: Failure to keep suction outlet components clear of debris, such as leaves, dirt, hair, paper and other material can result in an increased potential for suction entrapment.

If not a single, unblockable outlet, in the event of one suction outlet being completely blocked, the remaining suction outlets serving the system shall have a flow rating capable of the full flow of the pump(s) or the specific suction system. If in doubt about the rating and/or head loss curve of your system, consult a qualified pool or spa professional and/or your respective equipment manufacturer(s). Also, double check with your local building/health authorities regarding single vs. multiple drain installations, etc.

Regularly inspect all drain covers for cracks, damage and advanced weathering. If a drain cover becomes loose, cracked, damaged, broken or is missing, close the pool or spa immediately, post a notice and keep the pool or spa closed until an appropriate VGB 2008 certified drain cover is properly installed.

WATER VELOCITY AND FLOW RATES

The maximum water velocity through drain covers is limited by some local regulations, for example some state health departments limit the velocity through public pool drain covers to 1.5 feet per second. This velocity limit is lower than the flow rating provided by the ANSI/APSP 16 certification; therefore local limit applies and must be followed. Never exceed the flow rating listed on the cover even if local code does not provide a velocity limit.

For additional information on proper installation refer to The Association of Pool & Spa Professionals ANSI/APSP-7 Standard and the US Consumer Product Safety Commission Guidelines for Entrapment Hazard.

General Safety Instructions - continued

VGB Compliance - VIRGINIA GRAEME BAKER POOL AND SPA SAFETY ACT

The Virginia Graeme Baker Pool and Spa Safety Act raises certain new requirements on owners and operators of swimming pools and spas.

Pools or spas constructed on or after December 19, 2008, shall utilize:

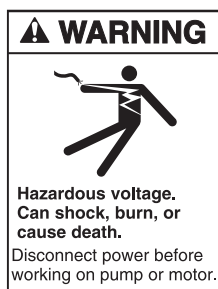
- (A) No submerged suction outlets, a gravity drainage system with ANSI/APSP compliant cover(s), one or more unblockable outlets; or
- (B) A multiple main drain system without isolation capability with suction outlet covers that meet ANSI/APSP 16-2011 Suction Fittings for Use in Swimming Pools, Wading Pools, Spas, and Hot Tubs and either:
 - (i) A safety vacuum release system (SVRS) meeting ASME/ANSI A112.19.17 Manufactured Safety Vacuum Release Systems (SVRS) for Residential and Commercial Swimming Pool, Spa, Hot Tub, and Wading Pool Suction Systems and/or ASTM F2387 Standard Specification for Manufactured Safety Vacuum Release Systems (SVRS) for Swimming Pools, Spas and Hot Tubs or
 - (ii) A properly designed and tested suction-limiting vent system or
 - (iii) An automatic pump shut-off system.

Pools and spas constructed prior to December 19, 2008, with a single submerged suction outlet shall use a suction outlet cover that meets ANSI/APSP 16-2011 and either:

- (A) A multiple main drain system without isolation capability, or a single (VGB 2008 compliant) unblockable suction outlet, or
- (B) A safety vacuum release system (SVRS) meeting ASME/ANSI A112.19.17 and/or ASTM F2387, or
- (C) A properly designed and tested suction-limiting vent system, or
- (D) An automatic pump shut-off system, or
- (E) Disabled submerged outlets, or
- (F) Suction outlets shall be reconfigured into return inlets.

For more information about the Virginia Graeme Baker Pool and Spa Safety Act, contact the Consumer Product Safety Commission at (301) 504-7908 or visit www.cpsc.gov.

WARNING: Risk of Electrical Shock or Electrocution



Pool pump must be installed by a licensed or certified electrician or a qualified pool serviceman in accordance with the National Electrical Code and all applicable local codes and ordinances. Improper installation will create an electric hazard which could result in death or serious injury to pool users, installers, or others due to electrical shock, and may also cause damage to property.

Always disconnect power to the pool pump at the circuit breaker before servicing the pump. Failure to do so could result in death or serious injury to serviceman, pool users, or others due to electric shock.

2 General Description

The BaduJet Imperial from Speck Pumps has been designed to be installed during the construction of your pool to create a water treadmill for anyone wanting a therapeutic and effective exercise. The BaduJet Imperial can be installed in any type of pool, large or small, from gunite to vinyl liner. The self-contained, flush-mounted unit is a jet-propulsion system that pumps water into the pool creating a current in excess of 5,700 gallons per minute from a recessed jet housing. Topping off the experience is the pulsating massage hose which can be attached to the jet nozzles for easy and convenient massage treatments for joints and muscles.

3 Operation

Controls Overview

- A. **Stainless Steel Hand Rails:** Allows the user to safely hold on when turning the system on or making adjustments.
- B. **Water Volume Control Knob:** This knob adjusts the amount of water flow through the jet nozzles.
- C. **Air Regulator Knob:** This adjusts the amount of air bubbles in the water flow.
- D. **System (ON/OFF) Button:** Turns the system ON/OFF.
- E. **Light (ON/OFF) Button:** Turns the low voltage LED light ON/OFF.
- F. **Adjustable Jet Nozzles:** Allows the user to angle the nozzles in any direction.

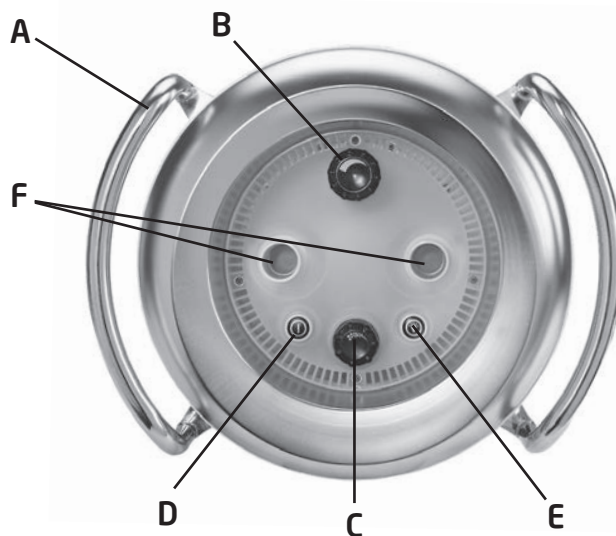


Figure 1 - Badujet Imperial (Front View)

Basic Operation

WARNING: DO NOT use or operate the Badujet Imperial if the anti-entrapment cover is missing, broken, or loose.

WARNING: To reduce the risk of injury, **DO NOT** permit children to use this product unless they are closely supervised at all times.

CAUTION: Consult your physician before attempting any strenuous exercise. This product may not be challenging or satisfying for all levels of exercise.

- **Turning the System ON & OFF:**
Position yourself to the side of the swimjet system, holding the Hand Rail with one hand. Use your free hand to press the System ON/OFF button.
- **Turning the Light ON & OFF:**
Position yourself to the side of the swimjet system, holding the Hand Rail with one hand. Use your free hand to press the Light ON/OFF button.
- **Adjusting the Water Flow:**
Holding onto the hand rail, you can easily adjust the water flow coming from the jets. To do this simple turn the water volume control knob clockwise to reduce the flow. To increase the flow turn the knob counter clock wise.
- **Adjusting the air flow (or bubbles):**
The air regulator knob permits a controlled mixture of air into the water flow and creates a unique, invigorating, bubble effect. It will also add additional resistance to swim against. To do this simply turn the knob clockwise to reduce the air.

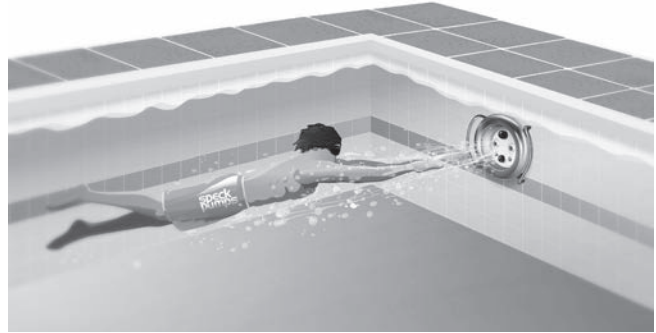
Getting Started

To start swimming, jogging or running it is suggested that the two nozzles are pointed slightly inward and slightly upward so that the water "breaks" approximately 4 ft. in front of the Badujet Imperial (*See for Nozzle Adjustment*).

Getting Started - continued

Start swimming with only minimal force in arms and legs until you feel yourself drifting backwards, then add force and swim upstream until a proper balance is found between force and endurance. Keep in mind that this unit is designed for a balanced workout. Find a pace that you can keep up for at least 20 minutes. Out pacing is always possible. The idea is to continue exercising for an extended period of time.

NOTE: Under certain conditions it is possible that the current "drifts off" to the left or the right from the middle due to water bouncing off the back wall. In the event that it interferes with your swimming action, turn the unit OFF for a few minutes and restart.



4 Service and Maintenance

Priming Pump

The BaduStream system comes with a 4 HP self-priming pump (Speck Model 21-80/33 GS) to specifically work with the swimjet system. The Model 21-80/33 GS self-priming pump has the ability to remove air from the plumbing lines when installed above the water level (up to 4 feet). During the initial startup, the pump must be filled with water. You should never run the pump dry for extended periods of time.

Before starting the pump for the first time (or after losing prime), remove the red filler plug. Fill the pump body with water (approx. 2 gallons) until the water is level with the suction inlet. Replace the red filler plug, hand tighten, making sure the o-ring is not damaged. Due to the large amount of air that can be trapped in the vertical portion of the suction line above the water level, initial priming time may be longer than with regular pool filtration pumps. It may take up to ten (10) minutes. This will not damage the mechanical seal. If prime is not achieved in ten (10) minutes, stop the pump, re-fill the pump body and restart.



Figure 2 - The Speck Model 21-80/33 GS (US Motor)

Control Box - Testing the GFCI

WARNING: Before each use, the GFCI located on the side of the control box **must be tested**.

1. Press the RESET button on the GFCI. The GREEN "power" LED should be ON.
2. Press the TEST button: GREEN LED should turn OFF. RED LED should start blinking. Circuit breaker should trip to OFF position.
3. If sensing module LEDs **DO NOT** change or circuit breaker **DOES NOT** trip, **DO NOT USE THIS DEVICE**. Consult a qualified electrician for assistance.
4. Press RESET button: RED LED should turn OFF and GREEN LED should turn ON.
5. MANUALLY RESET circuit breaker to ON position to restore circuit power.



Figure 3 - Control Box

Stainless Steel

Stainless Steels can provide an outstanding combination of aesthetic appeal, corrosion resistance, strength, durability, and cleanability, and they are commonly used for a wide range of indoor and outdoor pool applications, including ladders, handrails, diving platforms, and slide assemblies. These components are frequently still structurally sound and aesthetically pleasing after more than 25 years of service.

The BaduJet Imperial is made from high grade 316L polished stainless steel, often referred to as marine grade. It is ideal for immersed in pool applications or higher temperature pool and spa applications. The following are suggestions for maintaining the BaduJet Imperial's stainless:

1. After installation and before filling the pool, thoroughly clean all stainless parts.
2. Maintain proper pool water chemistry. Poor water chemistry control can damage any metal or lessen the life of the pool or equipment.
3. Muriatic acid should not be used to clean concrete or tile near stainless steel. If Muriatic Acid comes in contact with stainless steel, it should be washed off and neutralized immediately.
4. Carbon steel wool or wire brushes should never be used for cleaning stainless.
5. Super chlorination (Shocking) should only be performed when necessary. High levels of chlorination can be minimized or eliminated through careful water management.
6. When shocking the pool, the pump should be maintained on its highest speed until chlorine levels return to normal.
7. If the pool level is dropped, and the swimjet is exposed to air, hose down surfaces with fresh clean water or wipe down with fresh clean water using a sponge or lint free cloth. **DO NOT** use acid, oil based cleaners, or wax. Light staining may be removed with a water-dampened cloth or with vinegar or ammonia cleaning solutions (e.g. window and surface cleaners).
8. Pool chemicals should never be added in or around the swimjet.

With proper maintenance, the BaduJet Imperial is designed for a lifetime of enjoyment.

Nozzle Adjustment

When setting the nozzles for basic swimming, it is recommended that you set the nozzles in such a way that each nozzle intersects 4 feet away while breaking the surface at the same time. To help set the nozzles in position for best performance, please follow these instructions:

1. Parts required:
 - Quantity 2 - 4' x 1.5" PVC Pipe
 - Quantity 2 - 1.5" MPT x 1.5"/1.25" Hose Adapter
 - Quantity 2 - Female Adapter 1.5" Slip x 1.5" FPT
2. Turn OFF the jet pump(s).
3. Insert each jet adjustment tool into jet nozzle.
4. Bring the ends of the adjustment tools together so they are touching in between the jet housings. Then raise the tools together so the ends touch the water surface. (See Figure 4)
5. Remove jet adjustment tool.

Nozzle Adjustments - continued

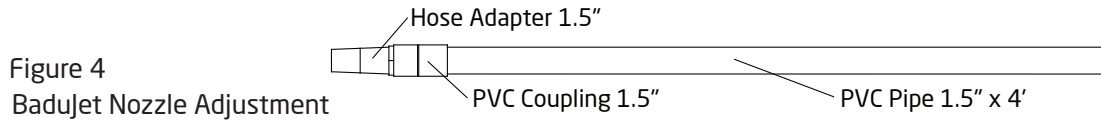
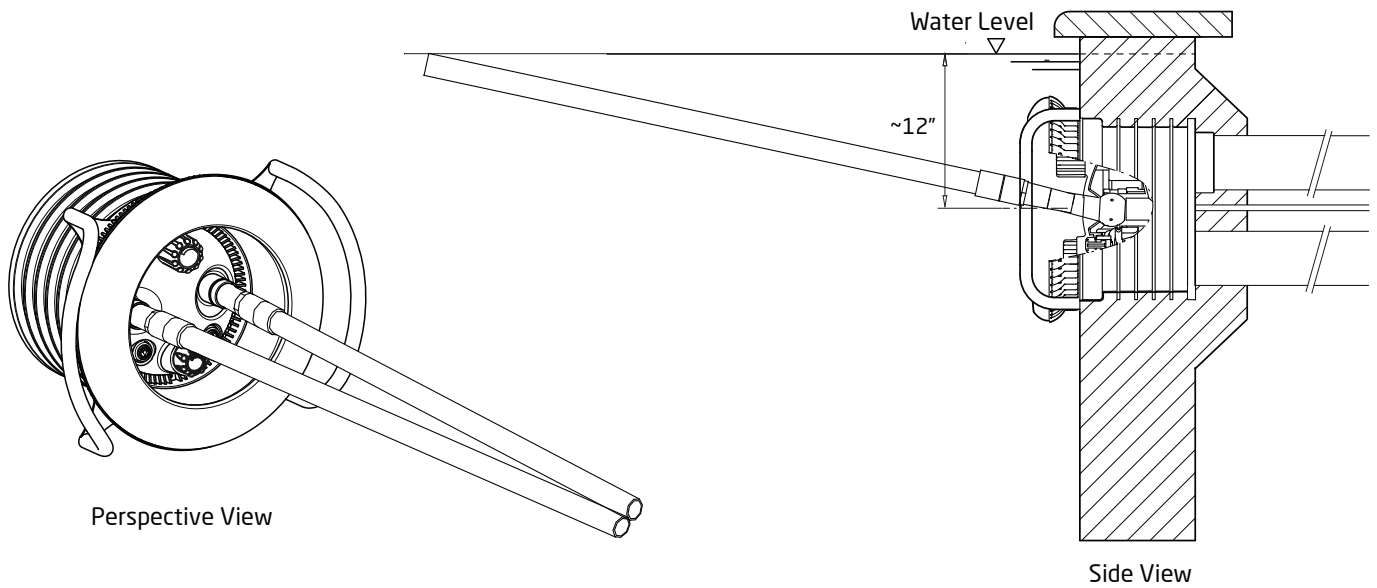


Figure 4
BaduJet Nozzle Adjustment

Winterizing

In areas subject to freezing water temperatures, you should protect your equipment. We recommend you purchase a winter cover kit part #2326000010K. This kit includes one (1) winter plate, one (1) gasket, four (4) M8 washers, and four (4) M8 x 30mm screws. (See Figure 5) Please contact your local pool professional for installation.

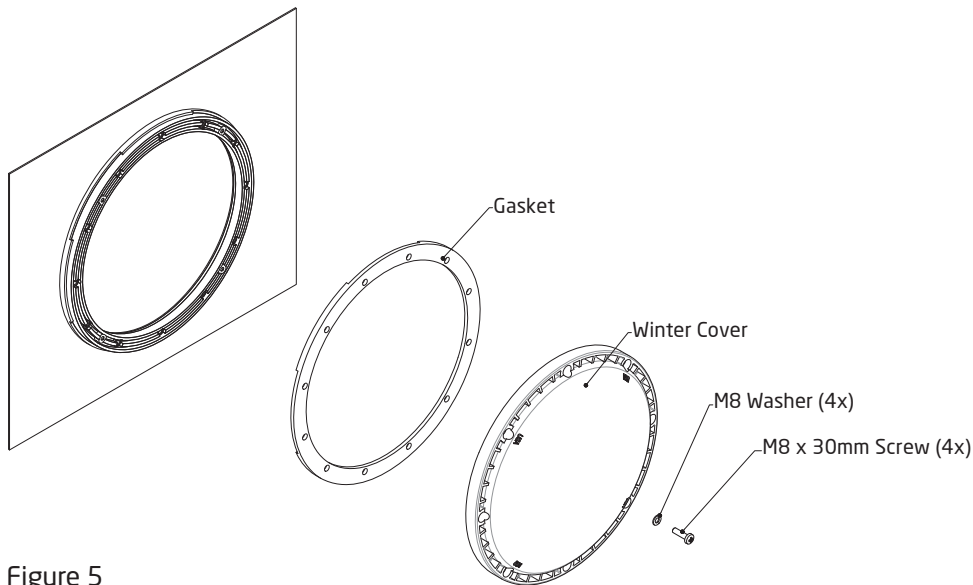


Figure 5
Winter Cover Kit

5 Frequently Asked Questions

Frequently Asked Questions

I can over swim the system, is there something I can do to help me from swimming through the system?

Slow your pace down until you found the stroke that will prevent you from out swimming the system. Depending on the size of the pool you could drift back and swim into the stream and try to find the "sweet spot" which is about 4' from the jets.

How can I use the system for my kids? Our BADU swim jets systems will add fun and enjoyment for all ages. The kids can boogie broad against the current. Kids can play in front of the current. To do this turn the air up and just the adjust nozzles upwards to create a choppy white water effect.

What is a self-priming pump?

A self-priming pump has the ability to remove air from the plumbing lines when installed above water level (up to 4 feet). During the initial startup, the pump must be filled with water. You should never run the pump dry.

Why must a self-priming pump first be filled with water?

A self-priming pump must have a sufficient amount of water in the pump housing. Only then can air be removed from the suction line. It is necessary to fill your pump up to the suction connection with water. If you do not fill the pump with water you may damage the mechanical seal in the pump.

What are the maintenance requirements for the pump?

The Speck Model 21-80/33 GS pumps are generally maintenance free. From time to time you should carry out a visual inspection. Check to see if pump is leaking, a few drops is normal. Remove any debris around the pump.

Are the knobs and buttons available in different colors?

We have a Deluxe kit. This kist will include all stainless-steel knobs, nozzles and buttons.

Does the LED light come in different colors?

Yes. The LED light comes in blue or a multi-color option.

How many amps does the pump operate at?

4.0 HP: Maximum 21.0 - 19.4 Amps @ 208-230 V

What size breaker do I need?

You must use a 40 amp breaker for the 4 HP pump to avoid nuisance tripping.

Should the swimjet system be tied into the filter system?

No. The swim jet system and the filter system should not be plumbed together as they each provide very specific functions.

Can I use it with automated controls?

Yes. It comes with the ability to tie into automated control systems or other switching devices. A licensed electrician would need to wire in this feature.

How should I store my pump for the winter season?

It's simple: drain pump and store it in a warm and dry place.

Frequently Asked Questions - continued

Can I remove the handles?

Yes, but not recommended. Handles are there to allow you to turn the system on/off while jets are running. Consult your pool service company, if you want the handles removed.

Why is the swimjet pushing to the side?

Refer to nozzle adjustment section. Also, Speck Pumps offers a BADU Swim Mirror that will help you stay in the swim lane. You will be able to see yourself as you swim.

My pool is the recommended size but my feet keep hitting the wall, what can I do to fix that?

Adjust the flow so the system is not pushing you back. Another option is the BADU Swim mirror. This will help keep you in the swim lane.

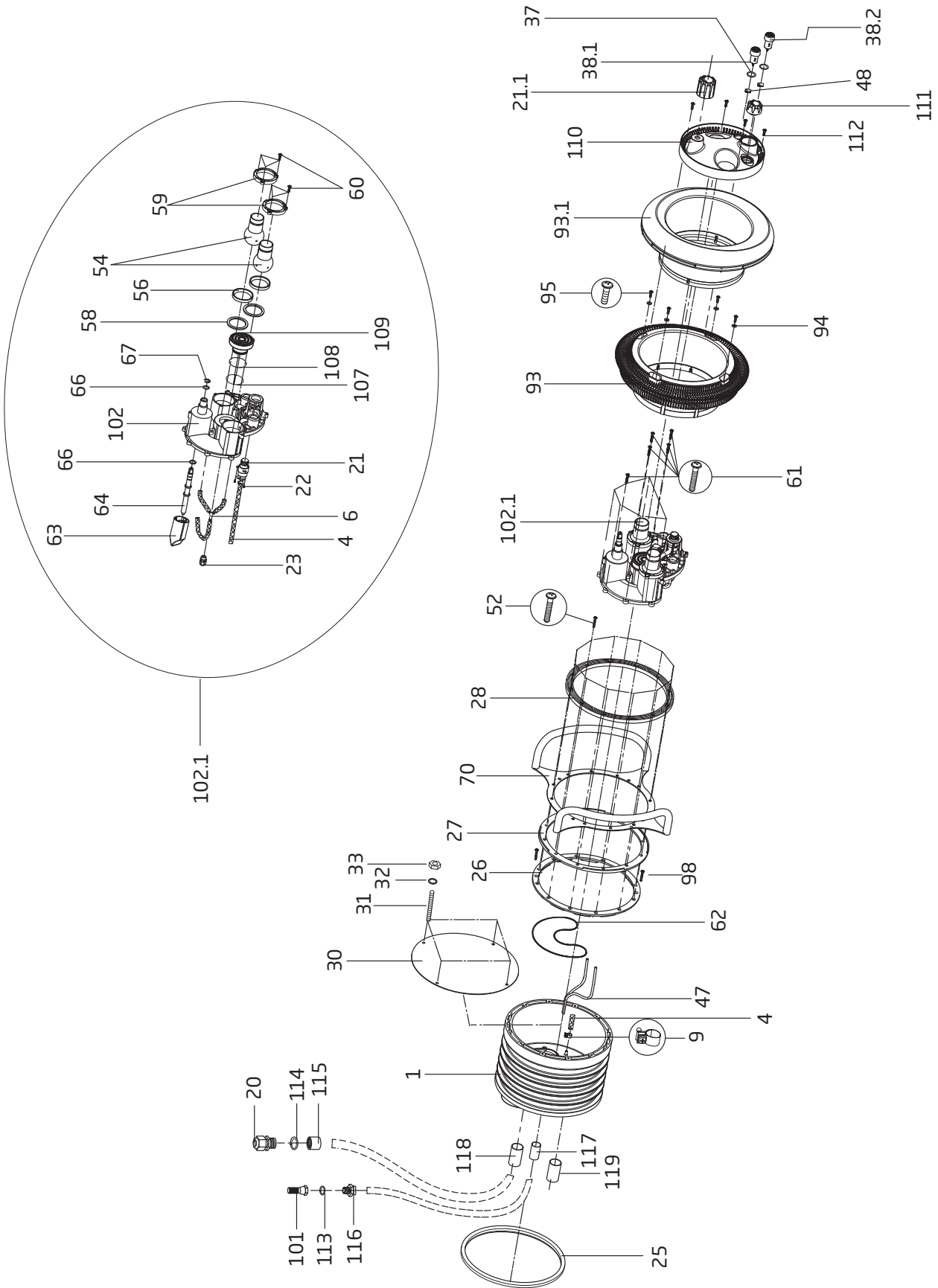
Trouble Shooting

PROBLEM	POSSIBLE CAUSES	SOLUTION
1. Pump will not prime.	<ul style="list-style-type: none"> a. Suction air leak. b. No water in pump. c. Closed valves or blocked lines. d. Low voltage to motor. 	<p>Make sure the red filler plug and o-ring are clean and properly positioned. Tighten red filler plug. Tighten all pipes and fittings on suction side of the pump. Be sure water in the pool is high enough to flow through the jet housing.</p> <p>Make sure pump housing is full of water.</p> <p>Open all valves in system. Open pump and check for clogging of impeller.</p> <p>Check voltage at motor. If low, pump will not come up to speed.</p>
2. Motor does not turn.	<ul style="list-style-type: none"> a. No power to motor. b. Pump jammed. 	<p>Check that all power switches are on. Be sure fuse or circuit breaker is properly set. Check motor wiring at terminals.</p> <p>With power off, turn shaft. It should spin freely. If not, disassemble and repair.</p>
3. Low flow.	<ul style="list-style-type: none"> a. No water in pump. b. Closed valves or blocked lines. c. Low voltage to motor 	See problem 1.
4. Noisy operation of motor.	<ul style="list-style-type: none"> a. Bad bearings. 	Check for noise when shaft is turned by hand. Motor will be very hot in bearing area when running. Replace bearing.
5. Motor runs hot.	These motors will run hot to the touch, however, this is normal. They are designed that way. Thermal overload protector will function to turn them off if there is an overload or high temperature problem. Excessive heat can be caused by:	
	<ul style="list-style-type: none"> a. Low voltage. b. Installed in direct sun. c. Poor ventilation. 	<p>Increase size of electrical wire. Be sure motor is operating on correct voltage.</p> <p>Shield motor from sun's rays.</p> <p>DO NOT block motor ventilation openings.</p>

Trouble Shooting - continued

PROBLEM	POSSIBLE CAUSES	SOLUTION
6. Noisy operation of pump.	<p>a. Air leak in suction line.</p> <p>b. Restricted suction line due to blockage or under size pipe. Indicated by high vacuum reading at pump suction.</p> <p>c. Foreign matter (gravel, metal, etc.) in pump impeller.</p> <p>d. Cavitation.</p>	<p>Repair leak. Check suction pipe, red filler plug, and o-ring (See Problem 1).</p> <p>Remove blockage or increase suction pipe size. Are all suction valves fully open?</p> <p>Disassemble pump and remove foreign matter from impeller.</p> <p>Improve suction conditions. (Reduce suction line length, reduce number of fittings, increase pipe size.)</p>
7. Motor overload protection "kicks out".	<p>a. Motor is not connected properly.</p> <p>b. Low voltage due to under size wire or low incoming voltage.</p> <p>c. Wrong size heaters in protective device.</p> <p>d. Overload due to binding in pump or wrong size impeller.</p>	<p>Check wiring diagram on motor.</p> <p>Check with volt meter. Increase size of supply wire. Report low supply voltage to power company. Voltage at motor must be within 10% of motor nameplate voltage.</p> <p>Heaters should be one size larger than full load amps shown on motor nameplate.</p> <p>Indicated by high amperage readings on motor, binding shaft. Disassemble unit and correct.</p>
8. The LED light is not working?	<p>a. Moisture in air tubing or bad air button.</p> <p>b. Control Box.</p>	<p>Remove air tubing from air switch at control box. Connect a short piece of air tubing to the LED air switch. Blow into tube and check if LED turns on/off.</p> <p>Contact certified electrician to diagnose control box components.</p>
9. The volume control knob keeps spinning?	a. Broken Spindle.	Contact your pool service company or call 800-223-8538.
10. My ON/OFF air button is not working properly?	<p>a. Control Box.</p> <p>b. Air tubing.</p>	<p>Check GFCI. If green LED does not stay ON, contact a certified electrician to diagnose control box components.</p> <p>Check air tubing connection on the control box. Check that the tubing is not bent or pinched. Tubing may need to be replaced.</p>
11. The system will not turn OFF?	a. Control Box Components.	Press TEST button on the control box GFCI to turn off system. Contact a certified electrician to diagnose control box components.
12. I have the volume control knob turned completely up but the flow is weak?	<p>a. Debris in pump casing/impeller.</p> <p>b. Improper swim jet assembly.</p>	<p>Contact your local pool service company to check inside pump casing for any debris.</p> <p>The internals may need to be removed for inspection of the spindle.</p>
13. My cover is rusting.	<p>a. Water Chemistry.</p> <p>b. Improper cleaning.</p>	<p>Maintain proper pool chemistry.</p> <p>DO NOT use harsh abrasives to clean stainless steel.</p>
14. The massage hose is stuck against the jet		Apply both hands on the outer side of the lip of the locking ring, slightly pulling back until this snaps back. Should be able to remove

6 Product Specification



Exploded View

PART NUMBER	DRAWING NUMBER	QTY REQUIRED	DESCRIPTION
2326000002A	1	1	JET HOUSING
2302001051	4	3 FT	HOSE - AIR REGULATOR 8 x 2mm PVC CLEAR (PRICE PER FOOT)
2326000408	6	1	HOSE (3X) WITH Y- HOSE BARB
2301001008	9	2	CLAMP - HOSE, AIR REGULATOR 14/9 SS A4
2326000031	20	1	STRAIN RELIEF - LIGHT CABLE, 3/4" NPT
2321000445	21	1	AIR REGULATOR COMPLETE
2326000006	21.1	1	VOLUME CONTROL KNOB
5879812996	22	3	SCREW - AIR REGULATOR, 2.9 x 9.5 A4
5882501619	23	1	STRAIN RELIEF - LIGHT CABLE, M16 x 1.5
2326000020	25	1	ROUND SEALING CORD
2301000026	26	1	GASKET WITH KNOBS - JET HOUSING
2326000021	27	1	GASKET - CLAMPING RING
2301000028	28	1	RING - CLAMPING
2301000030	30	1	GUNITE COVER
5805510880	31	4	STUD - GUNITE COVER M8 x 80mm
5809021080	32	4	WASHER - GUNITE COVER M8
5879340800	33	4	NUT - STUD - GUNITE COVER M8 A2
2326000014	37	2	O-RING PNEUMATIC BUTTONS 24 x 3mm
2321000401	38.1	1	PNEUMATIC BUTTON COMPLETE - PUMP
2321000404	38.2	1	PNEUMATIC BUTTON COMPLETE - LIGHTS
2300202060	47	2	AIR TUBING - LIGHT/PUMP 4 x 1.5mm (PRICE PER 10M)
2302001046	48	2	CLAMP - HOSE, PNEUMATIC BUTTON 6.8 - 8mm
5879860830	52	12	SCREW - CLAMPING RING, POZIDRIV/PAN M8 x 30mm A4
2302002954	54	2	NOZZLE - 40mm
2302002056	56	2	SEAT - NOZZLE
2302002057	58	2	SPACER - NOZZLE 60 x 6.2mm
2319800817	59	2	NOZZLE FLANGE
5879006023	60	6	TAPPING SCREW - BALL NOZZLE FLANGE, 6 x 22mm A4
5879006023	61	10	TAPPING SCREW - NOZZLE HOUSING, 6 x 22mm A4
2326000013	62	1	O-RING - NOZZLE HOUSING 257 x 3mm
2326000004	63	1	VOLUME CONTROL CYLINDER
2303002964	64	1	VOLUME CONTROL SPINDLE (COMPLETE)
2302002065	66	2	WASHER - VOLUME CONTROL SPINDLE, 23 x 16.2 x1.5mm
2302002067	67	1	RETAINER - SHAFT, VOLUME CONTROL SPINDLE
2326000009	70	1	STAINLESS STEEL HANDLES
2326000007	93	1	ANTI-ENTRAPMENT SUCTION COVER
2326000029	93.1	1	COVER - STAINLESS STEEL
5871250800	94	4	WASHER - SUCTION HOUSE, M8 A4
5879860820	95	4	SCREW - SUCTION HOUSING, PHILLIPS M8 x 20mm
5879860880	95.1	4	SCREW - SUCTION HOUSING, M8 x 80mm
2991000140	98	2	SCREW - COUNTERSUNK, PHILLIPS, M8 x 30mm
5030000105	101	1	VALVE - CHECK 1/2"
2326000003	102	1	HOUSING - NOZZLE
2326000402	102.1	1	HOUSING - NOZZLE COMPLETE
3932541201	107	1	O-RING - LIGHT 48 x 2mm
2607101019	108	1	O-RING - LIGHT 49 x 3.5mm
2326000037	109	1	LIGHT LED 12V AC - WHITE, 10M
2326000005	110	1	LIGHT COVER
2321000022	111	1	AIR REGULATOR KNOB
5879006023	112	4	TAPPING SCREW - LIGHT COVER, 6 x 22mm A4
2920141230	113	1	O-RING - CHECK VALVE, 19 X 3mm
2326000032	114	1	O-RING - STRAIN RELIEF
2326000034	115	1	ADAPTOR - STRAIN RELIEF, FEMALE, PVC 3/4"
2301001030	116	1	ADAPTOR - CHECK VALVE, MALE, PVC 1/2"
5862432021	117	1	CONNECTOR - AIR REGULATION LINE M20 x 1/2"
5862432531	118	1	CONNECTOR - CONDUIT M25 x 3/4"
7300050000	119	1	ADAPTOR - BONDING
2920280729	NOT SHOWN	1	CONTROL BOX BJC-7-GFCI+CP SSII

OPTIONAL PARTS

2326000036	109.1	1	LIGHT LED 12V AC - MULTICOLOR, 10M
2326000038	109.2	1	LIGHT LED 12V AC - BLUE, 10M
2326000010K	NOT SHOWN	1	WINTER COVER KIT
2300003000	NOT SHOWN	1	MESSAGE HOSE 5 FT. WITH PULSATOR
2300003006	NOT SHOWN	1	MESSAGE HOSE 15 FT. WITH PULSATOR
2300022000	NOT SHOWN	1	CAP - NOZZLE, CLOSE OFF

7 Limited Warranty

Speck Pumps-Pool Products, Inc. grants solely to the original consumer purchaser ("Buyer") of the Badu® SwimJet System(s) the following personal, non-transferable and limited warranty on the following terms and conditions (the "Limited Warranty"): the Badu SwimJet System(s) is warranted to be free of material defects in materials or workmanship under normal use for a period of one (1) year beginning on the date of the Buyer's purchase of the Badu SwimJet System(s) (the "Limited Warranty Period"). Notwithstanding any provisions herein to the contrary, the warranties and obligations hereunder shall not in any event extend for more than two (2) years beyond the date of shipment of the Badu SwimJet System(s) from the factory (the "Limited Warranty Period"). The Limited Warranty is subject to each of the following additional terms and conditions:

1. IN THE EVENT OF ANY BREACH OF THE LIMITED WARRANTY, SPECK PUMPS-POOL PRODUCTS, INC.'S ENTIRE OBLIGATION AND LIABILITY TO BUYER, AND BUYER'S SOLE AND EXCLUSIVE REMEDY SHALL BE AS FOLLOWS:

Speck Pumps-Pool Products, Inc. will, at its option, either repair or replace the Badu SwimJet System(s) or refund to Buyer the purchase price actually paid by Buyer for the Badu SwimJet System(s) subject to the Limited Warranty. Speck Pumps-Pool Products, Inc. shall have no obligations under the Limited Warranty unless Buyer delivers timely written notice to Speck Pumps-Pool Products, Inc. of the Limited Warranty claim within the Limited Warranty Period and returns the Badu SwimJet System(s) to Speck Pumps-Pool Products, Inc. if requested. To the fullest extent permitted by law, Speck Pumps-Pool Products, Inc. expressly disclaims any liability for, and the Limited Warranty does not include or cover, any labor, costs or other expenses in connection with the removal, transportation, shipment, insurance, replacement, repair, or installation of repaired or replaced parts or for any other costs or expenses or damages to property or things including, but not limited to, those arising in connection with the use of, or inability to use, the Badu SwimJet System(s).

2. To the fullest extent permitted by law, the Limited Warranty will be void and of no force or effect and Speck Pumps-Pool Products, Inc. will have no liability, responsibilities or obligations to Buyer or with respect to the Badu SwimJet System(s) in the event of the occurrence of any one or more of the following:

- (a) Any damage to the Badu SwimJet System(s) caused by Buyer, any third party, ground movement, other natural forces, acts of God or any other sources or causes not arising from a breach of the Limited Warranty, excluding ordinary wear and tear;
- (b) Any replacement, modification, alteration or repair of any parts or components of the Badu SwimJet System(s) by anyone other than Speck Pumps-Pool Products, Inc.;
- (c) Any abuse, misuse, accident, tampering with, improper installation or modification of the Badu SwimJet System(s) or any other actions, inactions or failures to act that violate the terms and conditions of this Limited Warranty;
- (d) Buyer's failure or inability to present an invoice, bill, receipt or other documentation clearly evidencing that the Badu SwimJet System(s) was installed and maintained in strict compliance with this Limited Warranty and that the claim was timely submitted within the Limited Warranty Period; and/or
- (e) Buyer's failure to comply with the conditions and contingencies set forth in paragraph 3 below.

3. The Limited Warranty is expressly conditioned and contingent upon Buyer's strict compliance with each of the following:

- (a) Installation of the Badu SwimJet System(s) by an experienced and qualified pool industry professional and a licensed electrician who is licensed within the jurisdiction in which the Badu SwimJet System(s) is installed and will be used; and
- (b) Buyer's operation and maintenance of the Badu SwimJet System(s) in strict accordance with Speck Pumps-Pool Products, Inc.'s printed operator/maintenance manuals delivered with the Badu SwimJet System(s).

4. DISCLAIMER: THE LIMITED WARRANTY IS THE ONLY WARRANTY MADE AND IS IN LIEU OF ALL OTHER WARRANTIES, AND ANY AND ALL IMPLIED WARRANTY OR CONDITION OF MERCHANTABILITY, THE IMPLIED WARRANTY AGAINST INFRINGEMENT, AND THE IMPLIED WARRANTY OR CONDITION OF FITNESS FOR A PARTICULAR PURPOSE ARE EXPRESSLY LIMITED IN THEIR SCOPE AND DURATION TO THE ONE YEAR TERM OF THE LIMITED WARRANTY SET FORTH HEREIN. SOME STATES DO NOT ALLOW LIMITATIONS ON HOW LONG AN IMPLIED WARRANTY LASTS, SO THE ABOVE LIMITATION MAY NOT APPLY TO THE BUYER.

Limited Warranty - continued

5. TO THE FULLEST EXTENT PERMITTED BY LAW, IN NO EVENT SHALL SPECK PUMPS-POOL PRODUCTS, INC. OR ITS OFFICERS, DIRECTORS, EMPLOYEES, SHAREHOLDERS, AGENTS, OR REPRESENTATIVES BE LIABLE FOR ANY SPECIAL, INDIRECT, INCIDENTAL, EXEMPLARY OR CONSEQUENTIAL DAMAGES OR LOSS, INCLUDING TIME, MONEY, GOODWILL, AND LOST PROFITS IN ANY WAY WHICH MAY ARISE HEREUNDER OR FROM THE USE OF OR INABILITY TO USE THE BADU SWIMJET SYSTEM(S) OR THE PERFORMANCE OR NONPERFORMANCE OF ANY OBLIGATION UNDER THIS LIMITED WARRANTY. THIS PARAGRAPH, THE WARRANTY DISCLAIMERS IN PARAGRAPH 4 ABOVE, AND THE SOLE AND EXCLUSIVE REMEDY SET FORTH IN PARAGRAPH 1 ABOVE SHALL APPLY EVEN IF SPECK PUMPS-POOL PRODUCTS, INC. HAS BEEN NOTIFIED OF THE POSSIBILITY OR LIKELIHOOD OF SUCH DAMAGES OCCURRING, WHETHER SUCH LIABILITY IS BASED ON CONTRACT, TORT, NEGLIGENCE, STRICT LIABILITY, PRODUCTS LIABILITY OR OTHERWISE, AND EVEN IF ANY REMEDY STATED HEREIN FAILS OF ITS ESSENTIAL PURPOSE. SOME STATES DO NOT ALLOW THE EXCLUSION OR LIMITATION OF SPECIAL, INDIRECT, INCIDENTAL, EXEMPLARY OR CONSEQUENTIAL DAMAGES OR LOSS, SO THE ABOVE EXCLUSIONS AND LIMITATIONS MAY NOT APPLY.

6. This Limited Warranty gives the Buyer specific legal rights, and the Buyer may also have other rights, which vary from state to state.

7. A return merchandise authorization ("RMA") must be obtained from Speck Pumps-Pool Products, Inc. before returning any product. Products returned without an RMA will be refused and returned, unopened, to the Buyer. All returned products are to be sent freight prepaid and insured for Buyer's protection to the manufacturer at 8125 Bayberry Road, Jacksonville, Florida 32256 USA. Under no condition will products be accepted after the expiration of the Limited Warranty Period. Speck Pumps-Pool Products, Inc. shall not bear any costs or risks incurred by Buyer in shipping a defective Badu SwimJet System(s) to Speck Pumps-Pool Products, Inc. or in shipping a repaired or replaced Badu SwimJet System(s) to Buyer.



ES Manual de Servicio y Funcionamiento

BADU[®]JET IMPERIAL

Sistema de Nado Contra Corriente



Soporte Técnico:

Dirección: Speck Pumps
8125 Bayberry Road
Jacksonville, FL. 32256
USA

Horario: (Lunes - Viernes) 8:00 am a 5:00 pm EST

Teléfono Gratuito: 800-223-8538
(en los Estados Unidos)

Teléfono: 904-739-2626

Fax: 904-737-5261

Sitio Web: www.usa.speck-pumps.com

Email: technical.usa@speck-pumps.com

Fecha de Instalación:	
Instalado por:	
Número de Serie:	
Para Llamada de Servicio:	

Fabricado por Speck Pumps, Jacksonville Florida USA, ©2017 Todos los derechos reservados.

Este documento está sujeto a cambios sin aviso.

ÍNDICE

1	<i>Instrucciones Importantes de Seguridad</i>	22
	Accesorio de combinación SwimJet - Advertencias de los fabricantes	22
	Instrucciones Generales de Seguridad	23
2	<i>Descripción General</i>	24
3	<i>Operación</i>	25
	Descripción de los Mandos	25
	Operaciones Básicas	25
	Primeros Pasos	26
4	<i>Servicio y Mantenimiento</i>	26
	Cebado de la Bomba	26
	Caja de Control - Prueba del GFCI	26
	Acero Inoxidable	27
	Ajuste de la Boquilla	27
	Preparación para el Invierno	28
5	<i>Preguntas Más Comunes</i>	28
	Preguntas Más Comunes	28
	Resolución de Problemas	30
6	<i>Especificación del Producto</i>	32
	Vista Despiezada y Piezas de Recambio	32
7	<i>Garantía Limitada</i>	34

Certificaciones del Badu®Jet IMPERIAL



Cumple con UL 1563
CSA C22.2 No. 218.1-M89
Equipos para piscinas
Enumerado #E212148



VGB 2008

1 Instrucciones Importantes de Seguridad

ADVERTENCIA: Antes de instalar este producto, lea y siga todas las notas de advertencia e instrucciones que están incluidas. La falla en seguir las advertencias de seguridad e instrucciones pueden derivar en lesiones graves, la muerte o daños materiales. Llame al (800) 223-8538 o visite www.usa.speck-pumps.com para copias adicionales de estas instrucciones.

Accesorio de combinación Swim Jet - Advertencias de los fabricantes

DEBE SER INSTALADO SOLAMENTE por un profesional de la industria de piscinas experimentado y calificado.

Atención Instalador: Este manual contiene información importante de la instalación, operación y uso seguro del producto. Esta información debe ser entregada al propietario y/u operador de este equipo. La mayoría de los códigos estatales y locales regulan la construcción, instalación y funcionamiento de piscinas y spas. Es importante cumplir con estos códigos, muchos de los cuales regulan la instalación y uso de este producto.

1. **NO** coloque este accesorio en zonas de descanso o en la parte trasera de dichas zonas.
2. Este accesorio debe ser montado en la pared vertical de la piscina solamente pro las instrucciones del fabricante.
3. Todos los accesorios y sujetadores deben ser examinados por daños y alteración antes de cada uso.
4. Cualquier accesorio perdido, roto o rajado debe ser reemplazado antes de usar este producto. Solamente piezas de reemplazo Speck genuinas pueden ser utilizadas.
5. Los tamaños aceptables de accesorios/tuberías están listados en la página 38 del manual de instalación. **NO** se permiten otros tamaños.
6. Nunca exceder el caudal máximo establecido en este producto.
7. La cubierta anti-atrapamiento debe estar colocada cuando se use este producto. **NO** usar este producto si la cubierta está perdida, rota o floja.
8. La cubierta anti-atrapamiento de acero inoxidable (parte #93.1) debe ser sustituida dentro de 20 años a partir de la fecha de instalación. La carcasa de succión (parte #93) debe ser sustituida dentro de 10 años a partir de la fecha de instalación.
9. La instalación requiere un destornillador Philips. Ajustar únicamente a mano. **NO** usar taladros eléctricos o de aire.
10. Consultar a su médico antes de ejercitar con el Badu®Jet Imperial o usar la manguera de masaje.
11. **NO** permitir que chicos usen este producto a menos que estén estrechamente supervisados en todo momento.
12. **NO** retirar ninguna etiqueta de alerta de seguridad como **PELIGRO, ADVERTENCIA** o **PRECAUCIÓN**. Mantener las etiquetas de alerta de seguridad en buenas condiciones y reemplazar etiquetas perdidas o dañadas.
13. Mantenerse alerta, mirar lo que está haciendo y usar el sentido común. **NO** usar la unidad si está cansado y/o exhausto. **NO** usar la unidad bajo la influencia de drogas, alcohol o cualquier medicamento.
14. **PRECAUCIÓN: NO** aumentar el tamaño de la bomba; esto incrementará el caudal a través del sistema y excederá el caudal máximo establecido en este producto.

Accesorio de combinación Swim Jet - Advertencias de los fabricantes - Continuación

LA INSTALACIÓN O USO INADECUADO DE ESTE PRODUCTO PUEDE OCASIONAR UN RIESGO DE ATRAPAMIENTO DEL CUERPO O PELO Y AHOGO. Instalar este equipamiento de acuerdo con las instrucciones proporcionadas.

Como el fabricante, Speck Pumps-Pool Products, Inc., certifica que su Accesorio de combinación Swim Jet cumple o supera los requisitos de la Ley Virginia Graeme Baker de seguridad en Piscinas y Spas, normas y reglamentos de seguridad VGB 2008 and ANSI/ APSP 16-2011 establecidas por la Comisión de Seguridad de Productos de Consumo.

“Leer, y luego seguir estas instrucciones para referencia futura”

Instrucciones Generales de Seguridad

Las siguientes pautas proporcionan información para minimizar el riesgo de lesiones a los usuarios de piscinas, spas e hidromasajes.

PELIGRO: PARA REDUCIR EL RIESGO DE AMENAZA DE ATRAPAMIENTO



Las bombas de piscinas y spas producen altos niveles de succión, que pueden generar un peligro extremo si una persona se acerca al drenaje abierto de la piscina o spa o si la tapa del drenaje esta floja, agrietada, rota o perdida. Las bombas de piscinas y spas mueven grandes volúmenes de agua, lo que puede suponer un PELIGRO extremo si el pelo de una persona se acerca a un drenaje que no es del tamaño adecuado para la bomba o bombas.

Se deben instalar como mínimo dos desagües de succión funcional por bomba. Los desagües en el mismo plano (es decir suelo o pared) deben estar instalados a una distancia mínima de tres (3) pies (1 metro), medidos desde el punto central al punto central. Los accesorios de succión doble no deben estar colocados en las áreas de descanso o en el respaldo de dichas áreas. Si algunos desagües de succión están situados cerca, deben estar colocados en dos planos diferentes (es decir, uno en el fondo y otro en la pared vertical, o cada uno en dos paredes verticales separadas).

ADVERTENCIA: si no se mantienen los componentes del desagüe de succión libre de escombros, tales como hojas, suciedad, pelo, papel y otros materiales puede ocasionar un potencial mayor de succión de atrapamiento.

Sin un desagüe individual aprobado y no bloqueable, en el caso de que un desagüe de succión este completamente bloqueado, los restantes desagües de succión que alimentan al sistema deben tener una capacidad de flujo de todo el caudal de la bomba(s) o del sistema de succión específico. Si duda de la capacidad y/o proceso de pérdida de carga de su sistema, consulte a un profesional calificado en piscinas o spas y/o al fabricante(s) de su respectivo equipo. Además, verifique con sus autoridades locales de construcción/salud respecto de instalaciones de desagüe individual o múltiple, etc.

Inspeccionar regularmente todas las tapas de desagüe en busca de grietas, daños y desgaste avanzado. Si una tapa de desagüe se afloja, daña, rompe o se pierde, cierre la piscina o spa inmediatamente, coloque un aviso y mantenga la piscina o spa cerrada/o hasta que una tapa de desagüe certificada apropiadamente por VGB 2008 sea instalada correctamente.

VELOCIDAD DEL AGUA Y CAPACIDADES DE FLUJO

La velocidad máxima del agua a través de las tapas de desagüe está limitada por algunas regulaciones locales, por ejemplo, algunos departamentos de salud estatales limitan la velocidad a través de las tapas de desagüe de piscinas públicas a 1.5 pies por segundo. Este límite de velocidad es inferior a la capacidad de flujo proporcionada por la certificación 16 ANSI/APSP; por lo tanto, se aplica el límite local y debe ser respetado. Nunca exceder la capacidad de flujo que aparece en la tapa incluso si el código local no provee un límite de velocidad.

Instrucciones Generales de Seguridad - Continuación

Para más información sobre la correcta instalación consulte a la Asociación de Profesionales de Piscina y Spa ANSI/APSP- Estándar 7 y a las Pautas de la Comisión de Seguridad de Consumo de Producto US por riesgo de atrapamiento.

Cumplimiento de la VGB - LA LEY DE SEGURIDAD EN PISCINAS Y SPAS VIRGINIA GRAEME BAKER

La Ley de Seguridad en Piscinas y Spas Virginia Graeme Baker plantea ciertos nuevos requisitos a los propietarios y operadores de piscinas y spas.

Piscinas o spas construidas a partir del 19 de diciembre del 2008, deberán utilizar:

- (A) Ningún desagüe de succión sumergido, un sistema de desagüe por gravedad con tapa/s ASME/ANSI, de uno o más desagües no bloqueables; o
- (B) Un sistema de desagüe principal múltiple sin poder de aislamiento con tapas de desagüe de succión que cumplan con ASME/ ANSI A112.19.8 Accesorios de Succión para usar en Piscinas de Natación, Piscinas para Niños, Spas e Hidromasajes y:
 - (i) Un sistema de seguridad de liberación del vacío (SVRS) que cumpla la norma ASME/ANSI A112.19.17, sistemas de seguridad de liberación del vacío (SVRS) para piscinas residenciales y comerciales, spas, bañeras de hidromasaje, sistemas de succión de piscinas infantiles y especificación de la norma ASTM F2387 para sistemas de seguridad de liberación del vacío (SVRS) para piscinas, spas y bañeras de hidromasaje, o
 - (ii) Un sistema de ventilación que limite la succión adecuadamente diseñado y probado o
 - (iii) Una bomba automática con sistema de apagado.

Las piscinas y spas construidas antes del 19 de diciembre del 2008, con un solo desagüe de succión sumergido deberá usar una tapa de desagüe de succión que cumpla con ASME/ANSI A112.19.8 y:

- (A) Un sistema principal de desagüe múltiple sin poder aislamiento, o un desagüe de succión simple no bloqueable (conforme con VGB 2008), o
- (B) Un sistema de seguridad de liberación de vacío (SVRS) cumpliendo con ASME/ANSI A112.19.17 y/o ASTM F2387, o
- (C) Un sistema de ventilación que limite la succión adecuadamente diseñado y probado, o
- (D) Una bomba automática con sistema de apagado, o
- (E) Desagües sumergidos deshabilitados, o
- (F) Desagües de succión deberán ser reconfigurados en boquillas de impulsión.

Para más información sobre la Ley Virginia Graeme Baker de Seguridad en Piscinas y Spas, contactarse con la Comisión de Seguridad de Consumo de Producto al (301) 504-7908 o visite el sitio web www.cpsc.gov.

ADVERTENCIA - Riesgo de descarga eléctrica o electrocución



La bomba de piscina debe ser instalada por electricista con licencia o certificado o un técnico en piscinas calificado de acuerdo con el Código Eléctrico Nacional y todos códigos y ordenanzas locales aplicables. La instalación inadecuada creará un peligro eléctrico que puede ocasionar la muerte o lesiones graves a los usuarios de piscinas, instaladores, u otros debido a una descarga eléctrica, y también podría causar daños materiales.

Desconecte siempre la energía a la bomba de piscina en el disyuntor antes de reparar la bomba. De no hacerlo, podría provocar la muerte o lesión grave al técnico, usuarios de la piscina, u otros debido a una descarga eléctrica.

2 Descripción General

El Badu®Jet Imperial de Speck Pumps ha sido diseñado para ser instalado durante la construcción de su piscina con el propósito de crear un andador acuático para cualquiera persona que quiera hacer un ejercicio terapéutico y eficaz. La unidad autónoma de montaje enrasado es un sistema de propulsión a chorro que bombea el agua en la piscina creando una corriente de más de 5.700 galones por minuto a partir de una única carcasa de chorro empotrada. Además, la manguera de masajes pulsante se puede unir a las boquillas de chorro para ofrecer tratamientos de masajes fáciles y convenientes para las articulaciones y los músculos.

3 Operación

Descripción de los Mandos

- A. **Pasamanos de acero inoxidable:** Permite al usuario sujetarse con seguridad al encender el sistema o hacer ajustes.
- B. **Perilla de control de volumen del agua:** Esta perilla ajusta la cantidad de flujo de agua a través de las boquillas de chorro.
- C. **Perilla del regulador de aire:** Ajusta la cantidad de burbujas de aire en el flujo de agua.
- D. **Botón ON/OFF del sistema:** Enciende o apaga el sistema.
- E. **Botón ON/OFF de la luz:** Enciende y apaga la luz LED de baja tensión.
- F. **Boquillas de chorro ajustable:** Permite al usuario colocar las boquillas en cualquier dirección.

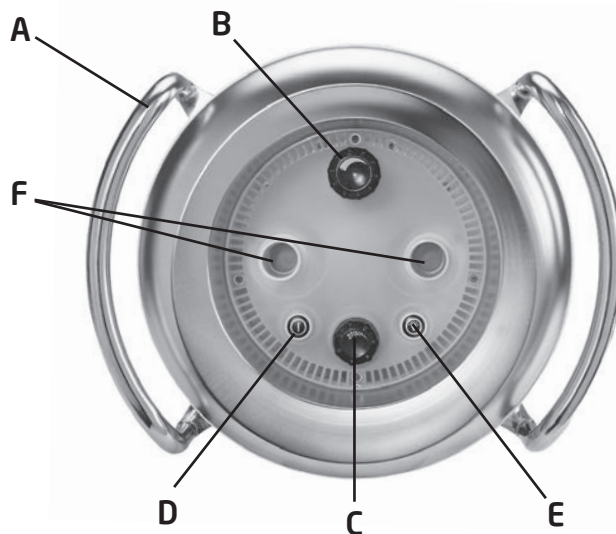


Figure 1 - Badujet Imperial (Front View)

Operación Básica

ADVERTENCIA: NO use el Badujet Imperial si la cubierta anti-atrapamiento está extraviada, rota o suelta.

ADVERTENCIA: Para reducir el riesgo de lesiones, NO permita que los niños usen este producto a menos que sean supervisados en todo momento.

PRECAUCIÓN: Consulte a su médico antes de intentar cualquier ejercicio vigoroso. Este producto puede no ser gratificante para todos los niveles de ejercicio.

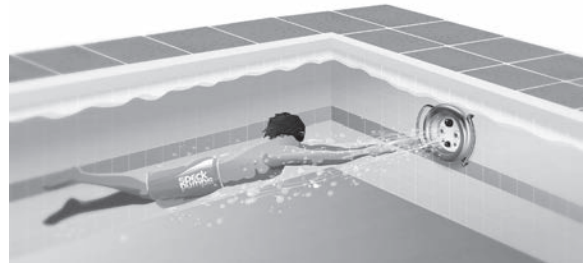
- **Encender y apagar el sistema:**
Colóquese al lado del sistema SwimJet sosteniendo la baranda con una mano. Use su mano libre para presionar el botón de encendido / apagado del sistema.
- **Encender y apagar la luz:**
Colóquese al lado del sistema SwimJet sosteniendo la baranda con una mano. Use su mano libre para presionar el botón de encendido / apagado de la luz.
- **Ajuste el flujo de agua:**
Sosteniendo la baranda, se puede ajustar fácilmente el flujo de agua procedente de los chorros. Para ello, solo gire la perilla de control de volumen de agua hacia la derecha para reducir el flujo. Para aumentar el flujo, gire la perilla en sentido contrario a las agujas del reloj.
- **Ajuste el flujo de agua (o las burbujas):**
La perilla del regulador de aire permite una mezcla controlada de aire en el flujo de agua y crea un efecto de burbuja único y tonificante. También se añadirá una resistencia adicional al nado contra corriente. Para ello, basta con girar el mando hacia la derecha para reducir el aire.

Primeros Pasos

Para empezar a nadar, trotar o correr, se sugiere que las dos boquillas estén apuntando ligeramente hacia dentro y hacia arriba para que el agua "rompa" aproximadamente 4 pies delante del Badujet Imperial (Ver por Ajuste de Boquilla).

Empiece a nadar con un mínimo esfuerzo en los brazos y las piernas hasta que comience a flotar hacia atrás. Luego, nade contra la corriente con fuerza hasta encontrar un equilibrio adecuado entre la fuerza y la resistencia. Tenga en cuenta que esta unidad está diseñada para un entrenamiento equilibrado. Encuentre un ritmo que pueda mantener durante al menos 20 minutos. La estimulación siempre es posible. La idea es continuar el ejercicio durante un período de tiempo prolongado.

NOTA: Bajo ciertas condiciones, es posible que la corriente se desplace hacia la izquierda o la derecha desde la mitad debido al agua rebotando en la pared del fondo. En el caso de que interfiera con su acción de nado, apague la unidad durante unos minutos y reiniciela.



4 Servicio y Mantenimiento

Cebado de la Bomba

El sistema Badujet Imperial viene con un bomba autocebante de 4 HP (Modelo Speck 21-80/33 GS) para trabajar específicamente con el sistema swimjet. La bomba autocebante modelo 21-80/33 GS tiene la capacidad de eliminar el aire de las tuberías cuando se instala por encima del nivel del agua (hasta 4 pies). Durante el arranque inicial, la bomba debe estar llena de agua. La bomba nunca debe funcionar en seco por períodos de tiempo prolongados.

Antes de arrancar la bomba por primera vez (o después de perder cebado), quite el tapón de llenado de color rojo. Llene el cuerpo de la bomba con agua (aprox. 2 litros) hasta que el agua esté a nivel con la entrada de succión. Vuelva a colocar el tapón de llenado de color rojo, apriete con la mano asegurándose de que la junta tórica no esté dañada. Debido a la gran cantidad de aire que puede ser atrapado en la parte vertical de la línea de succión por encima del nivel del agua, el tiempo inicial de cebado puede ser mayor que con las bombas regulares de filtración de la piscina. Puede tomar hasta diez (10) minutos. Esto no dañará el sello mecánico. Si el cebado no se logra en diez (10) minutos, detenga la bomba, vuelva a llenar el cuerpo de la misma y reiniciela.



Figura 2
El modelo Speck 21-80/33 GS (US Motor)

Caja de Control - Prueba del GFCI

ADVERTENCIA: Antes de cada uso, **se debe probar** el GFCI situado al lado de la caja de control.

1. Pulse el botón RESET sobre el GFCI. El LED verde que indica "poder" debería estar encendido.
2. Presione el botón TEST: el LED verde debería estar apagado. El LED rojo debería comenzar a parpadear. El disyuntor debería estar en la posición de apagado.
3. Si los LEDs del módulo de detección **NO** cambian o el disyuntor **NO** funciona, **NO USE ESTE DISPOSITIVO**. Consulte a un electricista calificado.



Figure 3
Caja de Control

Caja de Control - Prueba del GFCI - Continuación

4. Presione el botón RESET: el LED rojo debería estar apagado y el LED verde debería estar encendido.
5. REESTABLECER MANUALMENTE el disyuntor a la posición de encendido para restaurar la alimentación eléctrica del circuito.

Acero Inoxidable

El acero inoxidable puede proporcionar una excelente combinación de atractivo estético, resistencia a la corrosión, fortaleza, durabilidad y facilidad de limpieza, y se utilizan comúnmente para una amplia gama de aplicaciones en piscinas interiores y exteriores, incluyendo escaleras, pasamanos, plataformas de buceo y correderas. Estos componentes siguen en buenas condiciones estructurales y son estéticamente agradables después de más de 25 años de servicio.

El BaduJet Imperial está hecho de acero inoxidable pulido 316L de alta calidad, a menudo conocido como de grado marino. Es ideal para usarlo en aplicaciones de piscinas, piscinas de mayor temperatura y spas. Estas son algunas sugerencias para mantener el acero inoxidable del BaduJet Imperial:

1. Después de instalar y antes de llenar la piscina, limpie a fondo todas las piezas de acero inoxidable.
2. Mantenga la química adecuada del agua de la piscina. Un mal control de la química del agua puede dañar cualquier metal o disminuir la vida de la piscina o del equipo.
3. El ácido muriático no debe ser usado para limpiar baldosas de hormigón o estar cerca del acero inoxidable. Si el ácido muriático entra en contacto con el acero inoxidable, debe ser lavado y neutralizado inmediatamente.
4. La lana de acero de carbono o los cepillos de alambre no deben ser utilizados para la limpieza del acero.
5. La súper cloración (tratamiento de choque) sólo debe realizarse cuando sea necesario. Los altos niveles de cloración pueden ser minimizados o eliminados mediante un manejo cuidadoso del agua.
6. Cuando se realice el tratamiento de choque en la piscina, se debe mantener la bomba en su máxima velocidad hasta que los niveles de cloro vuelvan a la normalidad.
7. Si el nivel de la piscina se ha reducido y el swimjet está expuesto al aire, utilice la manguera para limpiar la superficie con agua limpia y fresca, o use una esponja o un paño sin pelusa. **NO** utilice ácido, limpiadores a base de aceite o cera. Las pequeñas manchas se pueden eliminar con un paño humedecido con agua o con soluciones de limpieza a base de vinagre o amoníaco (por ejemplo, limpiadores de ventanas y superficies).
8. Nunca se deben agregar los químicos de la piscina al swimjet o alrededor del mismo.

Con el mantenimiento adecuado, el BaduJet Imperial está diseñado para un disfrute duradero.

Ajuste de la Boquilla

Cuando configure las boquillas para la natación básica, se recomienda que las coloque de tal manera que cada boquilla se entrelace a 4 pies de distancia mientras emergen a la superficie al mismo tiempo. Para poder configurar las boquillas en una posición adecuada que permita un mejor rendimiento, por favor siga estas instrucciones:

1. Piezas requeridas:
 - Cantidad 2 - Tubería de 4' x 1.5" PVC
 - Cantidad 2 - Adaptador de manguera 1.5" MPT x 1.5" /1.25"
 - Cantidad 2 - Adaptador Hembra 1.5" Slip x 1.5" FPT
2. Apagar la bomba(s) de chorro.
3. Insertar cada herramienta de ajuste de chorro en la boquilla de chorro.
4. Poner los extremos de las herramientas de ajuste juntos para que se toquen entre las carcasas de chorro. Luego levantar las herramientas juntas para que los extremos toquen la superficie del agua. (Ver Figura 4)
5. Retirar la herramienta de ajuste de chorro.

Ajuste de la Boquilla - Continuación

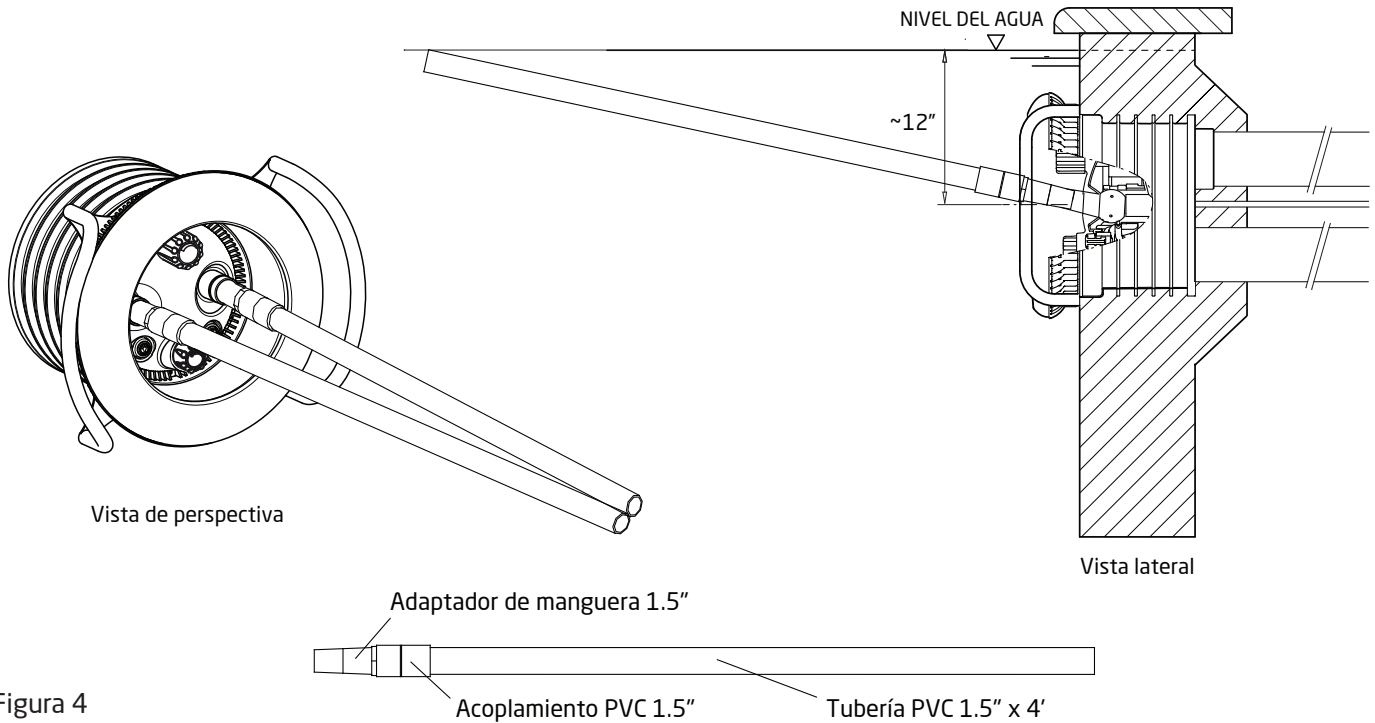


Figura 4
Ajuste de la boquilla del Badujet Imperial

Preparación para el Invierno

En áreas sujetas a temperaturas heladas, usted debería proteger su equipo. Le recomendamos que compre un kit de cobertura de invierno pieza# 2326000010K. Este kit incluye una (1) placa de invierno, una (1) junta, cuatro (4) arandelas M8, y cuatro (4) tornillos M8 x 30mm. (Ver Figura 5). **DEBE SER INSTALADO SOLAMENTE** por un profesional de la industria de piscinas experimentado y calificado.

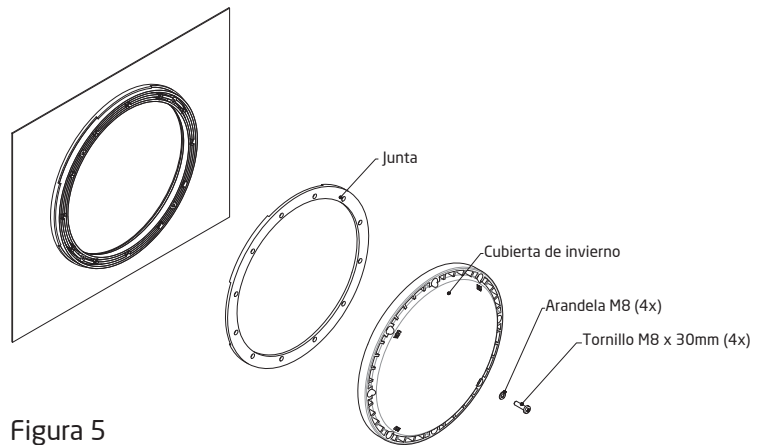


Figura 5
Kit de cubierta de invierno

5 Preguntas Más Comunes

Preguntas Más Comunes

¿Hay algo que pueda hacer para nadar a través del sistema?

Disminuya su paso hasta encontrar el impulso que le impida nadar fuera del sistema. Dependiendo del tamaño de la piscina, puede flotar, nadar en la corriente y tratar de encontrar el "punto ideal", que se encuentra aproximadamente a 4" de los chorros.

Preguntas Más Comunes - Continuación

¿Cómo puedo utilizar el sistema para mis hijos?

Nuestros sistemas BADU Swimjet ofrecerán diversión y entretenimiento para todas las edades. Los niños pueden balear contra la corriente, o jugar en frente de la corriente. Para ello gire el aire hacia arriba y sólo ajuste las boquillas hacia arriba para crear un efecto movido de agua blanca.

¿Qué es una bomba autocebante?

Una bomba autocebante debe tener la capacidad de eliminar el aire de las tuberías cuando se instala sobre el nivel del agua (hasta 4 pies). Durante el arranque inicial, la bomba debe estar llena de agua. La bomba nunca debe funcionar en seco.

¿Por qué una bomba autocebante primero debe llenarse de agua?

Una bomba autocebante debe tener una cantidad suficiente de agua en su carcasa. Sólo entonces el AIRE se puede retirar de la línea de succión. Es necesario llenar la bomba con agua hasta la conexión de succión. Si usted no llena la bomba de agua, puede dañar el sello mecánico de la misma.

¿Cuáles son los requisitos de mantenimiento de la bomba?

Las bombas Speck, Modelo 21-80/33 GS, generalmente no necesitan ningún mantenimiento. De vez en cuando hay que realizar una inspección visual. Compruebe si la bomba tiene una fuga (unas pocas gotas es normal). Elimine los residuos alrededor de la bomba.

¿Los mandos y botones están disponibles en diferentes colores?

Tenemos un equipo de lujo. Este kit incluirá todos los botones, boquillas y perillas de acero inoxidable.

¿La luz LED viene en diferentes colores?

Sí. La luz LED puede ser de color azul o multicolor.

¿En cuántos amperios funciona la bomba?

4.0 HP: Máximo 21,0 - 19,4 amperios @ 208-230 V

¿Qué tamaño debe tener el disyuntor?

Debe utilizar un interruptor de 40 amperios para la bomba de 4 HP a fin de evitar disparos intempestivos.

¿El sistema Swimjet debe estar conectado al sistema de filtro?

No. El sistema Swimjet y el sistema de filtro no deben conectarse, ya que cada uno proporciona funciones muy específicas.

¿Puedo usar este dispositivo con controles automatizados?

Sí. Viene con la capacidad de conectarlo a los sistemas de control automatizados u otros dispositivos de conmutación. Un electricista licenciado necesitará hacer esta operación.

¿Cómo debo guardar mi bomba para la temporada de invierno?

Es muy sencillo: drene la bomba y guárdela en un lugar cálido y seco.

¿Puedo quitar los mangos?

Sí, pero no es recomendable. Los mangos están ahí para que pueda encender/apagar el sistema mientras los chorros están funcionando. Si desea quitar los mangos, debe consultar a su compañía de servicio de piscina.

¿Por qué el sistema Swimjet se inclina hacia un lado?

Consulte la sección de ajuste de boquillas. Además, Speck Pumps ofrece un espejo BADU Swim que le permitirá mantenerse en el carril de natación. Podrá verse a sí mismo cuando está nadando.

Mi piscina tiene el tamaño recomendado pero mis pies golpean la pared. ¿Qué puedo hacer para solucionarlo?

Ajuste el flujo para que el sistema no lo empuje de vuelta. Otra opción es usar el espejo BADU Swim. Esto le permitirá mantenerse en el carril de natación.

Resolución de Problemas

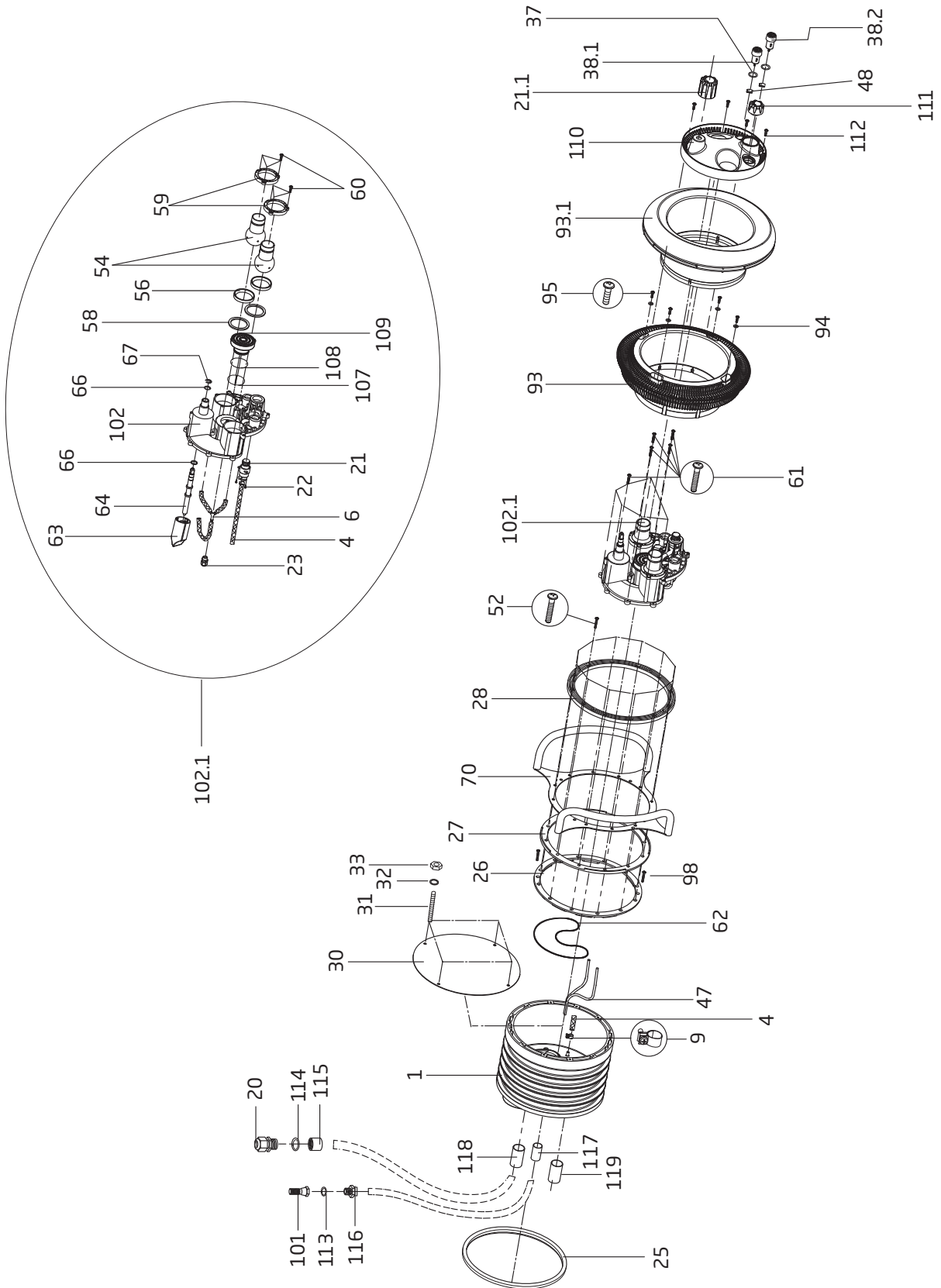
PROBLEMA	POSIBLES CAUSAS	SOLUCIÓN
1. La bomba no ceba.	<p>a. Fuga de aire de succión.</p> <p>b. No hay agua en la bomba.</p> <p>c. Válvulas cerradas líneas bloqueadas.</p> <p>d. Bajo voltaje al motor.</p>	<p>Asegúrese de que el tapón de llenado de color rojo y la junta tórica estén limpios y correctamente colocados. Apriete el tapón de llenado de color rojo, todos los tubos y accesorios en el lado de succión de la bomba. Asegúrese de que el agua de la piscina esté lo suficientemente alta para que corra a través de la carcasa del chorro.</p> <p>Asegurarse de que la carcasa de bomba está llena de agua.</p> <p>Abrir todas las válvulas del sistema. Abrir la bomba y ver si hay obstrucción del impulsor.</p> <p>Chequear el voltaje del motor. Si está bajo, la bomba no acelerará.</p>
2. El motor no gira.	<p>a. No hay energía que llegue al motor.</p> <p>b. La bomba está atascada.</p>	<p>Chequear que todos los interruptores de alimentación están encendidos. Asegurarse que el fusible o disyuntor está bien ajustado. Comprobar el cableado del motor en los terminales.</p> <p>Con la energía apagada, girar el eje. Se debe girar libremente. Si no es así, desmontar y reparar.</p>
3. Flujo bajo.	<p>a. No hay agua en la bomba.</p> <p>b. Válvulas cerradas o líneas bloqueadas.</p> <p>c. Bajo voltaje al motor.</p>	Ver problema 1.
4. Operación ruidosa del motor.	a. Rodamientos averiados.	Comprobar el ruido girando a mano el eje. El motor va a estar muy caliente en el área de rodamiento cuando se ejecuta. Reemplazar el rodamiento.
5. El motor funciona en caliente.	<p>Estos motores se calientan rápido. Sin embargo, esta situación es normal. Están diseñados de esa manera. Un protector de sobrecarga térmica funcionará para apagarlos si hay una sobrecarga o un problema de alta temperatura. El calor excesivo puede ser causado por:</p> <p>a. Bajo voltaje.</p> <p>b. Instalado al sol.</p> <p>c. Poca ventilación.</p>	<p>Aumentar el tamaño del cable eléctrico. Asegurarse de que motor está funcionando con el voltaje correcto.</p> <p>Proteger el motor de los rayos del sol.</p> <p>NO bloquear las aberturas de ventilación del motor.</p>
6. Operación ruidosa de la bomba.	<p>a. Fuga de aire en la línea de succión.</p> <p>b. Línea de succión restringida debido al bloqueo o pequeña tubería. Indicado por la lectura de alto vacío a la bomba de succión.</p> <p>c. Material extraño (grava, metal, etc.) en el impulsor de la bomba.</p> <p>d. Cavitación.</p>	<p>Reparar la fuga. Chequear tubería de succión, el tapón de llenado rojo, y el anillo tórico (Ver Problema 1).</p> <p>Eliminar el bloqueo o aumentar el tamaño de la tubería de succión. ¿Todas las válvulas de succión están totalmente abiertas?</p> <p>Desmontar la bomba y eliminar el material extraño del impulsor.</p> <p>Mejorar las condiciones de succión. (Reducir la longitud de la línea de succión, reducir la cantidad de accesorios, aumentar el tamaño del tubo.)</p>

Resolución de Problemas - Continuación

PROBLEMA	POSIBLES CAUSAS	SOLUCIÓN
7. Sobrecarga del motor	<p>a. El motor no está conectado correctamente.</p> <p>b. Baja tensión debido a un cable pequeño o poca entrada de voltaje.</p> <p>c. Radiadores de mal tamaño en el dispositivo de protección.</p> <p>d. Sobrecarga debido a la unión en la bomba o impulsor de incorrecto tamaño.</p>	<p>Chequear el esquema del cableado en el motor.</p> <p>Consultar con un voltímetro. Aumentar el tamaño del cable de alimentación. Informar de baja tensión de alimentación a la compañía eléctrica. El voltaje del motor debe estar dentro del 10% del voltaje de placa del motor.</p> <p>Los radiadores deben ser de un tamaño mayor que el amperaje a plena carga que aparece en la placa del motor.</p> <p>Indicado por las lecturas de amperaje alto en el motor y la carcasa de unión. Desarmar la unidad y corregir.</p>
8. ¿La luz L.E.D. no está funcionando?	<p>a. Hay humedad en el tubo de aire o el botón de aire no funciona.</p> <p>b. Caja de control.</p>	<p>Retire el tubo de aire del interruptor de aire en la caja de control. Conecte un trozo corto de tubo de aire al interruptor de aire L.E.D. Sople el tubo y compruebe si el L.E.D. se enciende/ apaga.</p> <p>Póngase en contacto con un electricista certificado para diagnosticar los componentes de la caja de control.</p>
9. ¿El mando de control de volumen sigue girando?	a. Husillo roto.	Póngase en contacto con la fábrica al 800-223-8538
10. ¿Mi botón de aire ON/OFF no está funcionando adecuadamente?	<p>a. Caja de control.</p> <p>b. Tubo de aire.</p>	<p>Compruebe GFCI. Si el L.E.D. verde no permanece encendido, póngase en contacto con un electricista certificado para diagnosticar los componentes de la caja de control.</p> <p>Compruebe la conexión del tubo de aire en la caja de control. Compruebe que el tubo no esté doblado o aplastado. El tubo puede necesitar ser reemplazado.</p>
11. ¿El sistema no se apaga?	a. Componentes de la caja de control.	Presione el botón TEST en la caja de control GFCI para apagar el sistema. Póngase en contacto con un electricista certificado para diagnosticar los componentes de la caja de control.
12. ¿La perilla del control de volumen se sube completamente pero el flujo es débil?	<p>a. Residuos en el impulsor/carcasa de la bomba.</p> <p>b. Montaje del swimjet inadecuado.</p>	<p>Revise dentro de la carcasa de la bomba en busca de residuos.</p> <p>Las partes internas pueden ser eliminadas para la inspección del husillo.</p>
13. Mi cubierta se está oxidando.	<p>a. Químico del agua.</p> <p>b. Limpieza inadecuada.</p>	<p>Mantener la química adecuada de la piscina.</p> <p>NO utilice productos abrasivos para limpiar el acero inoxidable.</p>
14. La manguera de masaje se ha quedado atascado contra el chorro.		Agarre la cara externa del labio del anillo de bloqueo con ambas manos, empujando ligeramente hacia atrás hasta que se vuelva a encajar. Debe ser capaz de retirarla.

5 Preguntas Más Comunes

Vista Despiezada y Piezas de Recambio



Vista Despiezada y Piezas de Recambio - Continuación

NUMERO DE PIEZA	NUMERO DE DIBUJO	CANTIDAD REQUERIDA	DESCRIPCION
2326000002A	1	1	CARACASA DEL CHORRO
2302001051	4	3 FT	MANGUERA - REGULADOR DE AIRE DE 8x2mm PVC CLARO (PRECIO POR PIE)
2326000408	6	1	MANGUERA (3X) CON LENGUETA
2301001008	9	2	ABRAZADERA - MANGUERA, REGULADOR DE AIRE 14/9 SS A4
2326000031	20	1	CABLE LIGERO DE ACERO INOXIDABLE DE 3/4" NPT
2321000445	21	1	REGULADOR DE AIRE COMPLETO
2326000006	21.1	1	PERILLA DE CONTROL DE VOLUMEN
5879812996	22	3	TORNILLOS - REGULADOR DE AIRE DE 2.9 x 9.5 A4
5882501619	23	1	CABLE LIGERO DE ACERO INOXIDABLE DE M16 x 1.5
2326000020	25	1	CABLE DE SELLADO REDONDO
2301000026	26	1	JUNTA COPN PERILLAS- CARCASA DEL CHORRO
2326000021	27	1	JUNTA - ANILLO DE FIJACIÓN
2301000028	28	1	ANILLO DE FIJACIÓN
2301000030	30	1	CUBIERTA DE GUNITA
5805510880	31	4	TORNILLOS DE - CUBIERTA DE GUNITA DE M8 x 80mm
5809021080	32	4	ARANDELA - CUBIERTA DE GUNITA DE M8
5879340800	33	4	TUERCA - DE TORNILLOS - CUBIERTA DE GUNITA DE M8 A2
2326000014	37	2	BOTONES NEUMÁTICOS DE JUNTA TÓRICA DE 24 x 3mm
2321000401	38.1	1	BOTÓN NEUMÁTICO - BOMBA
2321000404	38.2	1	BOTÓN NEUMÁTICO COMPLETO - LUCES
2300202060	47	2	TUBO DE AIRE - LUZ/BOMBA DE 4 x 1.5mm (PRECIO POR 10M)
2302001046	48	2	ABRAZADERA - MANGUERA, BOTÓN NEUMÁTICO DE 6.8 - 8mm
5879860830	52	12	TORNILLOS - ANILLO DE FIJACIÓN, POZIDRIV/PAN M8 x 30mm A4
2302002954	54	2	BOQUILLA - 40mm
2302002056	56	2	ASIEN TO - BOQUILLA
2302002057	58	2	ESPACIADOR - BOQUILLA DE 60 x 6.2mm
2319800817	59	2	BRIDA DE LA BOQUILLA
5879006023	60	6	TORNILLO PERFORADOR - BRIDA DE LA BOQUILLA DE BOLA, 6 x 22mm A4
5879006023	61	10	TORNILLO PERFORADOR - CARCASA DE LA BOQUILLA, 6 x 22mm A4
2326000013	62	1	JUNTA TÓRICA - CARCASA DE LA BOQUILLA DE 257 x 3mm
2326000004	63	1	CILINDRO DE CONTROL DE VOLUMEN
2303002964	64	1	EJE DE CONTROL DE VOLUMEN (COMPLETO)
2302002065	66	2	ARANDELA - EJE DE CONTROL DE VOLUMEN, 23 x 16.2 x 1.5mm
2302002067	67	1	RETEN - EJE DE CONTROL DE VOLUMEN
2326000009	70	1	MANGOS DE ACERO INOXIDABLE
2326000007	93	1	CUBIERTA DE SUCCIÓN ANTIATRAPAMIENTO
2326000029	93.1	1	CUBIERTA - ACERO INOXIDABLE
5871250800	94	4	ARANDELA - CARCASA DE SUCCIÓN DE M8 A4
5879860820	95	4	TORNILLO - CARCASA DE SUCCIÓN PHILLIPS DE M8 x 20mm
5879860880	95.1	4	TORNILLO - CARCASA DE SUCCIÓN DE M8 x 80mm
2991000140	98	2	TORNILLO - AVELLANADOS, PHILLIPS, M8 x 30mm
5030000105	101	1	VÁLVULA, ANTIRRETORNO, 1/2"
2326000003	102	1	CARCASA - BOQUILLA
2326000402	102.1	1	CARCASA - BOQUILLA COMPLETA
3932541201	107	1	JUNTA TÓRICA - LUZ DE 48 x 2mm
2607101019	108	1	JUNTA TÓRICA - LUZ DE 49 x 3.5mm
2326000037	109	1	LUZ LED 12V AC - BLANCA, 10M
2326000005	110	1	CUBIERTA DE LUZ
2321000022	111	1	PERILLA DEL REGULADOR DE AIRE
5879006023	112	4	TORNILLO PERFORADOR - CUBIERTA DE LUZ, 6 x 22mm A4
2920141230	113	1	JUNTA TÓRICA - VÁLVULA ANTIRRETORNO, 19 x 3mm
2326000032	114	1	JUNTA TÓRICA - ACERO INOXIDABLE DE ESCAPE
2326000034	115	1	ADAPTADOR - ACERO INOXIDABLE, HEMBRA, PVC 3/4"
2301001030	116	1	ADAPTADOR - VÁLVULA ANTIRRETORNO, HEMBRA, PVC 1/2"
5862432021	117	1	CONECTOR - LÍNEA DE REGULACIÓN DE AIRE, M20 x 1/2"
5862432531	118	1	CONECTOR - CONDUCTO, M25 x 3/4"
7300050000	119	1	CONECTOR - ENLACE
2920280729	NO MOSTRADO	1	CAJA DE CONTROL BJC-7-GFCI+CP SSII

OPTIONAL PARTS

2326000036	109.1	1	LUZ LED 12V AC - MULTICOLOR, 10M
2326000038	109.2	1	LUZ LED 12V AC - AZUL, 10M
2326000010K	NO MOSTRADO	1	KIT DE CUBIERTA DE INVIERNO
2300003000	NO MOSTRADO	1	MANGUERA DE MASAJE DE 5 PIES CON PULSADOR
2300003006	NO MOSTRADO	1	MANGUERA DE MASAJE DE 15 PIES CON PULSADOR
2300022000	NO MOSTRADO	1	TAPA - BOQUILLA, BLOQUEO

6 Garantía Limitada

Speck Pumps-Pool Products, Inc. otorga únicamente al comprador original ("Comprador") del Sistema Badu® SwimJet (s) la siguiente garantía personal, intransferible y limitada en los siguientes términos y condiciones (la "Garantía limitada"): el Sistema Badu SwimJet (s) está garantizado de estar libre de defectos materiales en materiales o mano de obra bajo un uso normal durante un período de un (1) año a partir de la fecha en la que el comprador adquiere el Sistema Badu SwimJet (s) (el "Período de garantía limitada"). No obstante cualquier disposición contraria en el presente documento, las garantías y obligaciones no se ampliarán en cualquier caso a más de dos (2) años después de la fecha de embarque del Sistema Badu SwimJet (s) desde la fábrica (el "Período de garantía limitada"). La garantía limitada está sujeta a cada uno de los siguientes términos y condiciones adicionales:

1. EN CASO DE CUALQUIER INCUMPLIMIENTO DE LA GARANTÍA LIMITADA, TODA OBLIGACION Y RESPONSABILIDAD DE SPECK PUMPS-POOL PRODUCTS, INC. AL COMPRADOR, Y LA ÚNICA Y EXCLUSIVA SOLUCIÓN DEL COMPRADOR SERÁ LO SIGUIENTE:

Speck Pumps-Pool Products, Inc., a su elección, reparará o reemplazará el sistema Badu SwimJet (s) o el reembolsará al comprador el precio de compra efectivamente pagado por el comprador por el Sistema Badu SwimJet (s) sujeto a la Garantía Limitada. Speck Pumps-Pool Products, Inc. no tendrá ninguna obligación bajo la Garantía Limitada a menos comprador entregue oportunamente una notificación escrita a Speck Pumps-Pool Products, Inc. de la demanda de la garantía dentro del Periodo de Garantía Limitada y devuelva el sistema Badu SwimJet (s) a Speck Pumps-Pool Products, Inc. si se solicita. En la medida en que lo permita la ley, Speck Pumps-Pool Products, Inc. renuncia expresamente a cualquier responsabilidad, y la Garantía Limitada no incluye ni cubre, todo trabajo, costes u otros gastos relacionados con el traslado, transporte, embarque, seguro, sustitución, reparación o instalación de piezas reparadas o sustituidas o por cualquier otro coste o gasto o daño a la propiedad o cosas, incluyendo, pero no limitado a, los que surgen relacionados con el uso o la imposibilidad de usar, el sistema Badu SwimJet (s).

2. En la medida en que lo permita la ley, la Garantía Limitada será nula y sin efecto y Speck Pumps-Pool Products, Inc. no tendrá responsabilidad alguna ni obligaciones al comprador o con respecto al Sistema de Badu SwimJet (s) en el caso de que ocurra de uno o más de los siguientes:

- (a) Cualquier daño al sistema Badu SwimJet (s) causado por el comprador, cualquier tercero, movimiento del suelo, otras fuerzas naturales, fuerza mayor o cualquier otra fuente o causa que genere el incumplimiento de la Garantía Limitada, excluyendo uso y desgaste ordinario;
- (b) Cualquier sustitución, modificación, alteración o reparación de piezas o componentes del sistema(s) Badu SwimJet por cualquier persona que no sea de Speck Pumps-Pool Products, Inc.;
- (c) Cualquier abuso, mal uso, accidente, manipulación, instalación inadecuada o modificación del sistema Badu SwimJet (s) o cualquier otro tipo de acción, inacción u omisión que viole los términos y condiciones de esta Garantía Limitada;
- (d)

La imposibilidad del comprador de presentar una factura, cuenta, recibo u otra documentación que evidencie claramente que el sistema SwimJet Badu (s) se instaló y se mantiene en estricto cumplimiento con esta Garantía Limitada y que la demanda fue presentada en tiempo dentro del Período de Garantía Limitada; y / o

La falta del comprador en cumplir con las condiciones y contingencias establecidas en el párrafo 3 siguiente.

3. La Garantía Limitada está condicionada y supeditada expresamente al estricto cumplimiento del comprador con cada uno de los siguientes:

- (a) Instalación del sistema Badu SwimJet por un profesional industrial experimentado y calificado en piscinas y un electricista con licencia dentro de la jurisdicción en la que se instala el sistema Badu SwimJet y será utilizado; y
- (b) Operación y mantenimiento del Sistema de Badu SwimJet (s) del Comprador en estricta conformidad con los manuales impresos de operación y mantenimiento de Speck Pumps-Pool Products, Inc. entregados con el sistema Badu SwimJet.

Garantía Limitada - Continuación

4. EXENCIÓN DE RESPONSABILIDAD: LA GARANTÍA LIMITADA ES LA ÚNICA GARANTÍA DADA Y REEMPLAZA TODAS LAS OTRAS GARANTÍAS, Y CUALQUIER Y TODA GARANTÍA O CONDICIÓN IMPLÍCITA DE COMERCIALIZACIÓN, LA GARANTÍA IMPLÍCITA CONTRA LA INFRACCIÓN Y LA GARANTÍA O CONDICIÓN IMPLÍCITA DE APTITUD PARA UN PROPÓSITO PARTICULAR, SON EXPRESAMENTE LIMITADAS AL ALCANCE Y DURACIÓN DEL PLAZO DEL AÑO DE LA GARANTÍA ANTERIORMENTE EXPUESTA. ALGUNOS ESTADOS NO PERMITEN LIMITACIONES EN LA DURACIÓN DE LAS GARANTÍAS IMPLÍCITAS, POR LO QUE LA LIMITACIÓN ANTERIOR NO SE APLICA AL COMPRADOR.

5. EN LA MEDIDA EN QUE LO PERMITA LA LEY, EN NINGÚN CASO SPECK PUMPS-POOL PRODUCTS, INC. O SUS OFICIALES, DIRECTORES, EMPLEADOS, ACCIONISTAS, AGENTES O REPRESENTANTES SERÁN RESPONSABLES POR DAÑOS O PÉRDIDAS ESPECIALES, INDIRECTAS, INCIDENTALS, PUNITIVAS O CONSECUENCIAS, INCLUYENDO EL TIEMPO, EL DINERO, LA BUENA VOLUNTAD Y PÉRDIDA DE GANANCIAS EN CUALQUIER FORMA QUE PUEDAN SURGIR O DEL USO O IMPOSIBILIDAD DE USO DEL SISTEMA BADU SWIMJET (S) O DE INCUMPLIR CUALQUIER OBLIGACIÓN BAJO ESTA GARANTÍA LIMITADA. ESTE PÁRRAFO, EL DESCARGO DE RESPONSABILIDAD EN EL PÁRRAFO 4, Y LA ÚNICA Y EXCLUSIVA SOLUCIÓN ESTABLECIDA EN EL PÁRRAFO 1 SE APLICARÁN AÚN CUANDO SPECK PUMPS-POOL PRODUCTS, INC. HAYA SIDO NOTIFICADA DE LA POSIBILIDAD O PROBABILIDAD DE TALES DAÑOS OCASIONADOS, SI TAL RESPONSABILIDAD SE BASA EN UN CONTRATO, AGRAVIO, NEGLIGENCIA, RESPONSABILIDAD ESTRICTA, RESPONSABILIDAD POR LOS PRODUCTOS O EN OTRO CASO, Y AUNQUE EL RECURSO EN LA PRESENTE NO CUMPLE CON SU PROPÓSITO FUNDAMENTAL. ALGUNOS ESTADOS NO PERMITEN LA EXCLUSIÓN O LIMITACIÓN DE DAÑOS O PÉRDIDAS ESPECIALES, INDIRECTAS, EJEMPLARES O CONSECUENTES, POR LO QUE LAS EXCLUSIONES ANTERIORES NO SE APLICAN.

6. Esta garantía limitada le da al comprador derechos legales específicos, y el comprador también puede tener otros derechos que varían de estado a estado.

7. Se debe obtener una autorización de devolución de mercancía ("RMA") de Speck Pumps-Pool Products, Inc. antes de devolver cualquier producto. Los productos devueltos sin una RMA serán rechazados y devueltos, sin abrir, al comprador. Todos los productos devueltos deben ser enviados con flete y seguro prepago para la protección del comprador al fabricante en calle Bayberry 8125, Jacksonville, Florida 32256 EE.UU. En ningún caso se aceptarán los productos después de la expiración del periodo de garantía limitada. Speck Pumps-Pool Products, Inc. no se hará cargo de todos los costos o riesgos incurridos por el comprador en el envío de un sistema defectuoso Badu SwimJet (s) a Speck Pumps-Pool Products, Inc. o en el envío de un Sistema SwimJet Badu reparado o reemplazado al Comprador.

