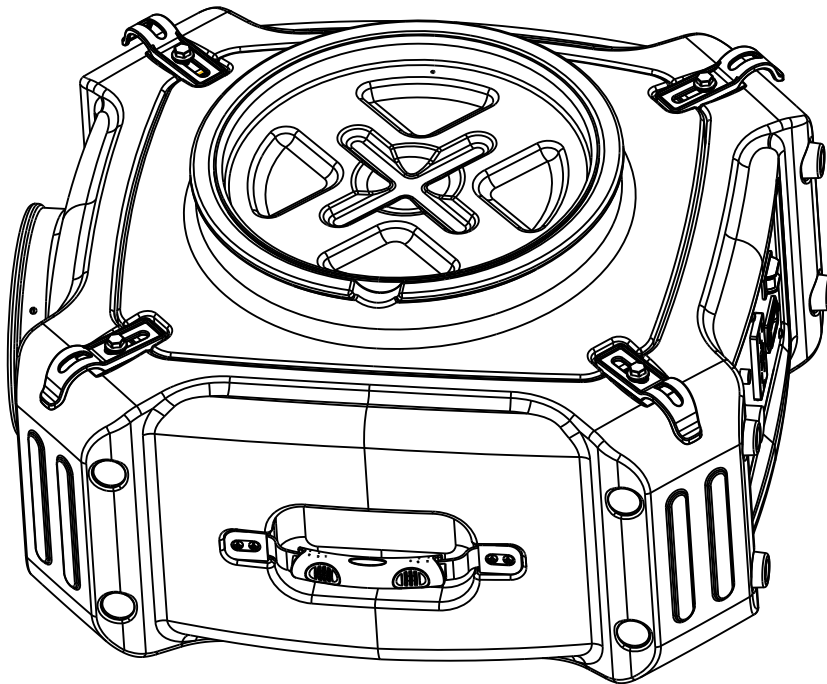


— Restoration & Moisture & Ventilation —

# **ALORAIR**



## **PureAiro HEPA Max 870 Owner's Manual**



**READ AND SAVE THESE INSTRUCTIONS**

**AlorAir Solutions INC.**

Add: 14752 Yorba Ct Chino CA 91710 US

Tel: 888-990-7469

E-mail: [sales@alorair.com](mailto:sales@alorair.com)



## WARNING!

Please note that the PureAiro HEPA Max 870 should only be used with parts approved by AlorAir. The use of unauthorized parts or alterations to the machine could void your warranty. Contact an approved distributor for further assistance.

### To Avoid the Risk of Fire or Electric Shock:

- Unit must be electrically grounded.
- Insert 3-prong plug directly into outlet with Ground Fault Circuit Interrupting device.
- Do not use an adapter with this unit.
- Do not use the unit in standing water.
- If electrical parts get wet, they must be dried prior to use.

## INTRODUCTION

The PureAiro HEPA Max 870 is a convenient filtration system that cleans the air. The PureAiro HEPA Max 870 uses an effective blend of air flow and advanced filtration to expel airborne particles like mold spores, dust, pollen, and pet dander. The PureAiro HEPA Max 870 is ideal for forestoration jobs, including water, sewage, and fire.

## IDENTIFICATION

Congratulations on purchasing a PureAiro HEPA Max 870 air scrubber. In order to take advantage of the warranty plan, be sure to note the serial number and date of purchase.

**Serial Number:** \_\_\_\_\_

**Date of Purchase:** \_\_\_\_\_

## HOW IT WORKS

When set to maximum airflow, the scrubber draws air through two types of filters- a pre-filter and a HEPA/Activated Carbon Filter.

### 1. Pre-Filter

The first phase of filtration, the prefilter, Captures initial dust and allergen particles.

### 2. HEPA/Activated Carbon Filter

The second phase of filtration, the HEPA/Activated Carbon Filter, catches smaller particles, down to 0.3 microns. Contributes to the control and prevention of the growth of bacteria, germs, and mold. Captures 99.99% of dust and allergens.

### 3. UV-C Light

UV-C light technology works with filters to enhance the elimination of airborne germs Titanium Dioxide is activated by the UV-C light to decompose remaining odor molecules caused by smoking, cooking, and pets.

## SPECIAL FEATURES

**Daisy-Chain Capability** (Note: It is not available for 220/240V)

Using the auxillary outlet on the control panel, you can link up to 3 units together. You can also daisy-chain the machines when they are stacked vertically (limit of 2 units).

### Multi-Positional

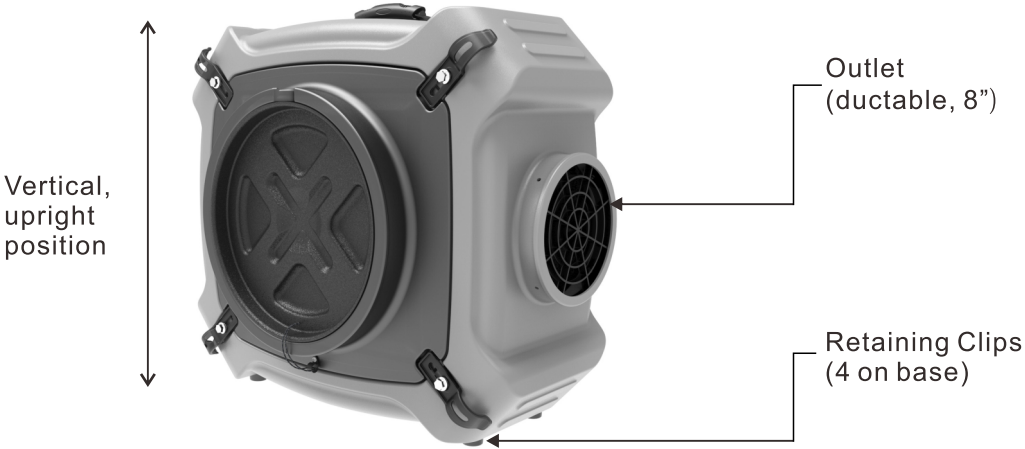
The PureAiro HEPA Max 870 can be operated in the vertical position, as well as, when stacked vertically (up to 2 units). When storing, the machines can be stacked horizontally to save space.

**Removable Intake Panel**

The PureAiro HEPA Max 870 is equipped with a removable panel on the intake side of the machine. The removable panel is quite useful in remediation applications, so you can draw air out the room and create more negative pressure (use a manometer to monitor air pressure). To use panel:

- 1. Remove the panel.
- 2. Install the machine outside the containment area to draw air out.
- 3. Cut a hole in the containment plastic that is the size of the unit's inlet.
- 4. Insert the inlet into plastic and seal the circumference tightly with duct tape.

**KEY FEATURES**



# INSTRUCTIONS

## SETUP

1. Place the PureAiro HEPA Max 870 so that it is in the upright , vertical position.
2. Plug the machine into a standard 115 volt outlet. *Note: Each unit needs 3 amps to operate.*
3. The PureAiro HEPA Max 870 can be operated in the vertical or horizontal postion, depending on the exact situation. At this point, adjust the machine to the optimal position.

## THE CONTROL PANEL

### Variable Speed Control

The Variable Speed Control is used to adjust the power of the machine. Turn the knob in a clockwise direction, to increase the speed from maximum to minimum .The minimum speed setting is located immediately under the OFF button.

### Auxiliary Outlet (Note: It is not available for 220/240V)

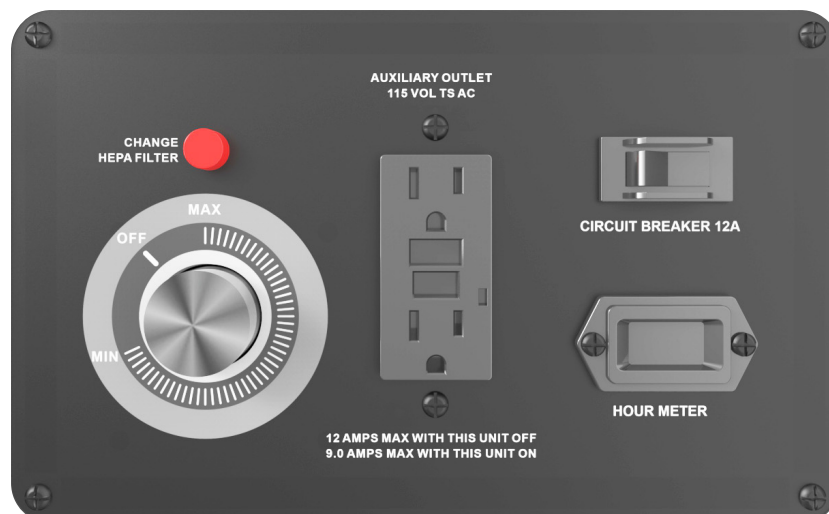
If more air filtration is necessary for a space, you can "daisy chain" or link up to 3 PureAiro HEPA Max 870's to the same outlet. There is a maximum amperage of 12 when the units are turned off, a maxium of 9 amps when the units are turned on. Other equipment can be plugged into the same outlet as the PureAiro HEPA Max 870 as long as it doesn't go above the max amperage.

### Circuit Breaker Switch

The Circuit Breaker Switch protects the unit if there are more than 12 amps of electricity passing the circuit. If this occurs, the switch will cut off the power to the unit.

### Timer

Used to time the running time of the device. Start timing when the device is running, and pause timing when the device is stopped.



## CHANGING THE FILTERS

1. Loosen the 4 locks that hold the filter board in place.
2. Slide out the filter panel board.
3. Remove the used filters and replace with new filters.

### WARNING

- Always wear approved protective gear when changing the filters.
- Filters should be changed after each remediation job.
- If the indicator light is on, always change the HEPA/Activated Carbon Filter.

## APPLICATIONS

### Water Damage

In this application, the PureAiro HEPA Max 870 should be placed in the center of the affected area. The air scrubber will draw in the air, filter it, then blow out the newly cleaned air. To begin the process, simply turn on the scrubber and it will start cleaning the air. Keep in mind that if you are working in a large area or one divided by walls, you may need several air scrubbers to effectively clean the air.

### Odor Control

The PureAiro HEPA Max 870, when used with the HEPA/Activated Carbon Filter, is excellent at odor control, as well. Simply place the carbon filter in the pre-filter slot and it will capture a wide variety of odor-causing gas molecules, such as volatile organic compounds (VOC's), smoke, soot, and paint fumes.

### Other Uses

The PureAiro HEPA Max 870 is also useful in many other applications including mold remediation, fire damage, dust control, and sewage remediation.

### WARNING!

### Breathing Hazard

- When using the PureAiro HEPA Max 870 in a containment area, always turn off power to open combustion appliances, such as fireplaces, furnaces, water heaters, and HVAC systems, to avoid the risk of backdrafting carbon monoxide fumes.
- If the Filter Change Light illuminates during the remediation process, immediately change the HEPA/Activated Carbon Filter.

### Tipping Hazard

- Use caution when stacking units.
- Do not stack more than 2 units on top of each other.
- Falling equipment could cause bodily harm.

## SAFETY NOTES

- Always unplug the unit prior to performing any maintenance.
- Check the power cord for damage (fraying, cuts, etc.) before use.
- Verify that the GFCI outlet is working by powering on the machine and pressing the red GFCI test button. If the outlet is working, the “reset” button will pop up. To operate, press the reset button again.
- To avoid electric shock, never use a water hose or pressure washer to clean the electrical components.
- Check the pre-filter prior to operating the machine to ensure it is not clogged. If there is any sign of air flow restriction change the filter.
- Make sure the unit is dry prior to installing clean filters.
- When using the PureAiro HEPA Max 870 for remediation purposes, replace both filters at the same time and always clean machine in between jobs. This will help prevent cross contamination.

## LIMITED WARRANTY

This limited warranty starts from the date of purchase. Alorair Solutions Inc. warrants to the original purchaser that this ALORAIR product is free from manufacturing defects in material or workmanship for the limited warranty period of:

**Six (6) Month parts and labor.** This includes the shipments charges for replacement parts or units.

**One (1) year parts and labor.** The shipment fee to send the unit back to the manufacturer is not covered.

**Ten (10) years.** Polyethylene body ONLY.

This limited warranty is valid only on products purchased from the manufacturer or ALORAIR authorized dealer and operated, installed, and maintained according to the instructions included in this user guide or furnished with the product. Alorair Solutions Inc will not provide in-home service during or after the warranty period. You may be responsible for the shipping charge to bring the product to the manufacturer for service. To receive warranty service, the purchaser must contact ALORAIR at 888-990-7469 or support@alorair.com. Proof of purchase or order number is required to receive warranty service. During the applicable warranty period, a product will be repaired or replaced at the sole option of ALORAIR.

### Limited Warranty Exclusions:

This limited warranty covers manufacturing defects in materials or workmanship encountered in a normal household, commercial or noncommercial use of this product and shall not cover the following:

- Damage occurs in uses for which this product was not intended for.
- Damage caused by unauthorized modification or alteration of the product.
- Cosmetic damage including scratches, dents, chips, and other damage to the product's finishes.
- Damage caused by abuse, misuse, pest infestation, accident, fire, floods, or other acts of nature.
- Damage caused by incorrect electrical line current, voltage, fluctuations, and surges.
- Damage caused by failure to perform proper maintenance of the product.
- Damaged caused by not using the required filters for operation. (Pre-filter, HEPA & Activated Carbon Filter)
- Damaged caused by using in a high humidity environment (75% or higher).
- Damaged caused by using next to combustible materials/equipment that may or may not produce carbon monoxide.

# Wiring Diagram

