

EMPIRE WOOD FIREPLACES

St. Clair Series



EMPIRE
STOVE

Effortless Heat

Empire Stove products are the simplest to use thanks to the one-lever air control. This allows for effortless control of your fire from a roaring blaze to a slow burn. The included blower circulates heated air back into the living space. Your glass window will stay clean with the integrated air wash system which uses hot air to clear debris from the glass.



KEY FEATURES



AIR WASH SYSTEM

Hot air circulates through the fireplace to keep dirt and debris from building up on the glass, maintaining clear view of the fire



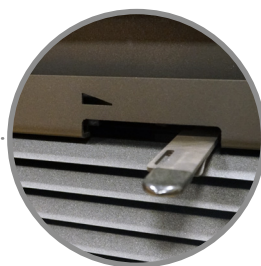
DOOR LATCH

The heavy duty double door latch ensures your door seals tight every time for an efficient burn



BLOWER

The standard blower circulates heated air back into the living space instead of up your chimney



SIMPLE CONTROL

Easy to use one-lever control adjusts the burn rate to optimize burn times



Built to Last

Constructed with thick, 5/16-inch steel, Empire Stove products are built to last. Ceramic refractory lines the inside of the firebox for heat insulation and durability. The high heat ceramic baffle ensures optimal performance no matter how high the temperature rises. Our limited lifetime warranty provides protection, giving you peace of mind for years to come.

KEY FEATURES



DURABLE STEEL

5/16" thick steel top allows for extended heat radiation and adds lasting durability



HIGH HEAT BAFFLE

The high heat ceramic baffle is made of high quality ceramic that won't deteriorate



CERAMIC GLASS

High temperature ceramic glass stands up to the changing temperatures inside the firebox



CERAMIC REFRACTORY

High-density ceramic refractory lines the interior of the firebox, allowing for closer clearances and more heat distribution into the room

Why St. Clair Fireplaces?

Enjoy the ambiance and bask in the heat of a natural wood burning fire by installing a St. Clair fireplace. The large firebox holds enough wood to efficiently warm your home for up to 10 hours without reloading. St. Clair fireplaces are EPA certified with a low particle emissions rate, making them an eco-friendly option for any homeowner looking to combine style and efficiency.



St. Clair 4300, Traditional Faceplate, Black Trim



St. Clair 3000, Traditional Faceplate, Black Trim

ST. CLAIR 3000

Meets EPA 2020 Standard

The **St. Clair 3000** is perfect for any home. Features like the standard blower, the simple one-lever control, and the air wash system allow for easy operation and maintenance. Style options are available to ensure the St. Clair 3000 beautifully complements any room.



Heating Area: 750 to 2,500 ft²



Fire Box: 3.00 ft³



Burn Time: 9 hours



Height: 38"



Max Heat Output: 80,000 BTU/h



Width: 36 1/2"



Max Log Length: 18"



Depth: 24"



ST. CLAIR 4300

Meets EPA 2020 Standard

St. Clair 4300, Traditional Faceplate, Black Trim



Heating Area: 1,000 to 2,800 ft²



Fire Box: 4.28 ft³



Burn Time: 10 hours



Height: 43 3/8"



Max Heat Output: 95,000 BTU/h



Width: 50 3/4"



Max Log Length: 25"



Depth: 26 7/8"

The **St. Clair 4300** wood fireplace brings the ambiance of a wood burning fire to larger family homes. The standard blower, simple one-lever control, and air wash system allows for easy operation and maintenance of the fireplace. Style options are available to ensure the St. Clair 4300 complements any room.

Options & Accessories

REQUIRED OPTIONS

LINER OPTION



REFRACTORY CERAMIC

- Included for St. Clair 3000
- Optional for St. Clair 4300

FACEPLATE OPTION



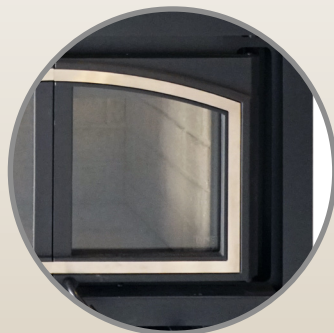
TRADITIONAL

DOOR OPTIONS

MUST CHOOSE ONE



BLACK TRIM



NICKEL TRIM

ACCESSORIES



FIRE SCREEN



FRESH AIR KIT

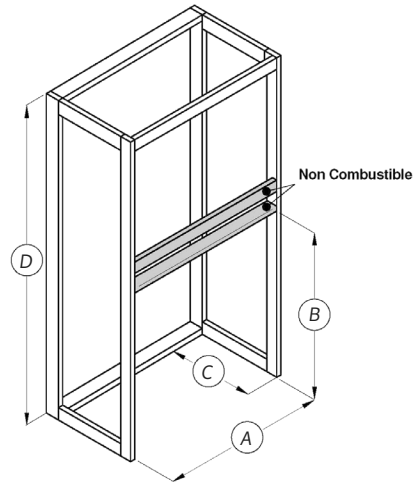
Specifications & Dimensions

ST. CLAIR 3000

	A	B	C	D
US	41 3/4"	49 1/8"	24"	80"

ST. CLAIR 4300

	A	B	C	D
US	50 3/4"	43 3/8"	26 7/8"	84"



WARRANTY

LIMITED LIFETIME: Combustion chamber (welds only) and cast iron door frame, ceramic glass, plating (manufacture defect), step top. **LIMITED 7 YEAR:** Surrounds, heat shields, ash drawer, pedestal, C-cast baffle, secondary air tubes, deflectors and supports. **LIMITED 5 YEAR:** Handle assembly, glass retainers, air control mechanism, removable carbon steel combustion chamber components. **LIMITED 2 YEAR:** Standard and optional blower, heat sensors, switches, rheostat, wiring and electronics. **LIMITED 1 YEAR:** Paint peeling, gaskets, insulation, ceramic fiber blankets, firebricks and other options. **LIMITED 90 DAY:** All parts replaced under warranty.

Empire is committed to continuous product improvement; specifications are subject to change without notice. Dimensions in this brochure are approximate; read and follow the clearances listed in the owners manual supplied with your Empire product. Flame size, shape, and color will vary from photos.

