

Monterey - Sofa

Stainless Steel-Teak / Aluminium-Teak / Aluminium

INSTALLATION GUIDE



ATTENTION: Is your Sofa damaged?

Need help or spare parts? For fastest service,
contact NewAge Products at 1-877-306-8930;
or support@newageproducts.com.
Do not return to the retailer.

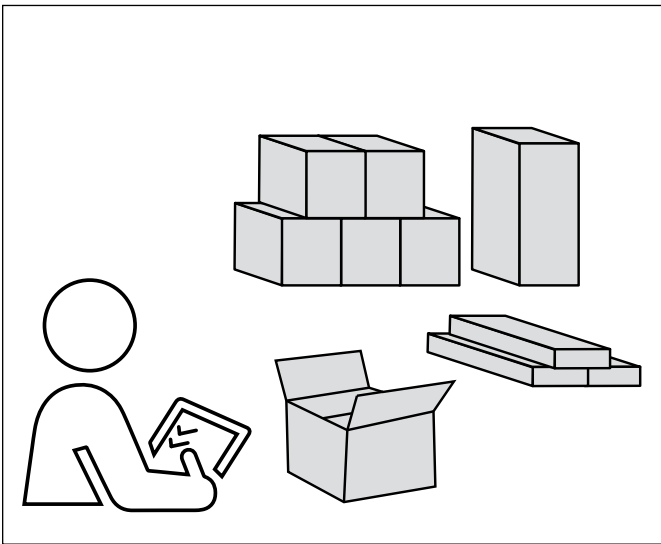
Index

Unpacking	3
Product Inspection	3
Tools Needed	3
Monterey-Sofa Collection	4
Hardware	4
Component for SKU Packages	5
Layout Examples	7
Single Seater Assembly	8
Multi Seater Assembly	12
Corner Assembly	19
Corner Set Assembly	23
Spare Parts - Single Seater	26
Spare Parts - Multi Seater	28
Cleaning and Care	32
NEWAGE PRODUCTS INC. OUTDOOR FURNITURE MANUFACTURER WARRANTY	33

Unpacking

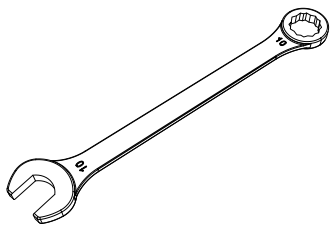
- Begin by placing the package on a covered flat surface.
- Remove all cardboard, foam packaging material and nylon bags.
- Dispose / recycle all packaging materials.
- Verify all the contents in the box and gather the required tools. See “Tools Needed” in the list below.

Product Inspection

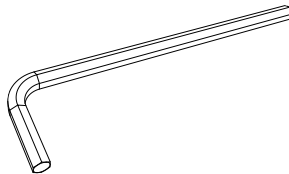


- Check to see all parts are received as per the order placed.
- Contact NewAge Products at 1-877-306-8930; for any missing parts.
- Inspect the products for any damages before starting the installation.
- Go through the installation instructions carefully before starting the installation.

Tools Needed

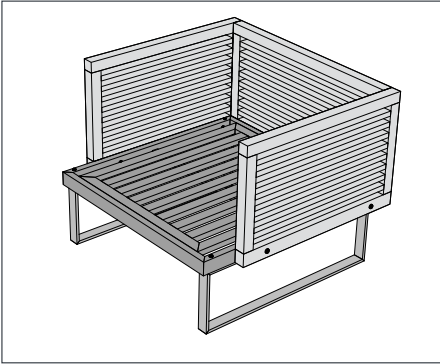


Wrench
(10mm)

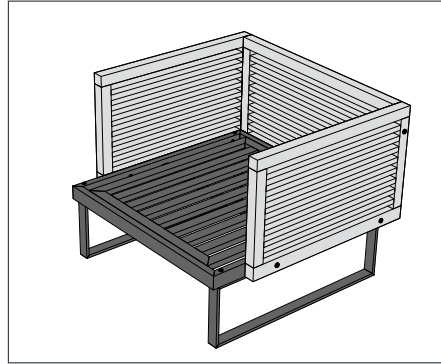


Allen key
(4mm and 5mm)

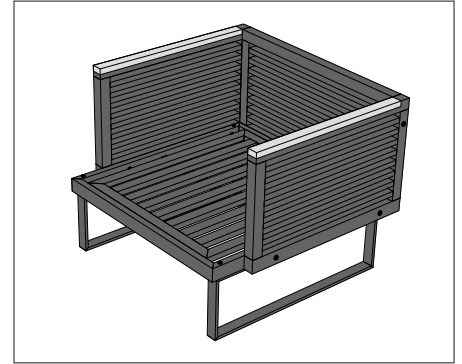
Monterey-Sofa Collection



Stainless Steel - Teak Sofa



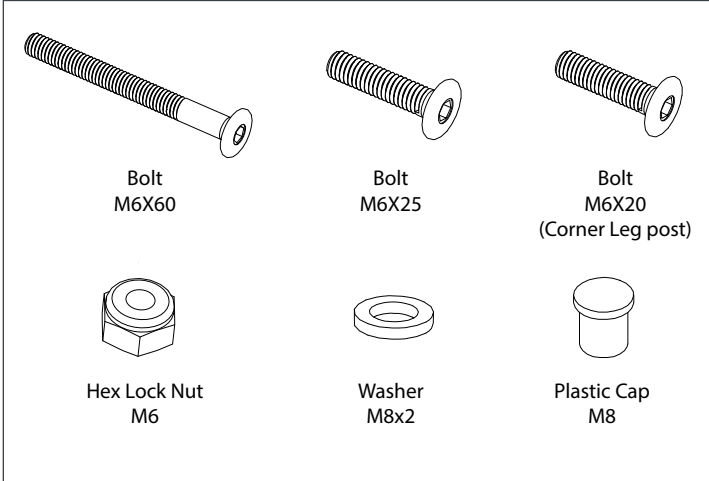
Aluminium - Teak Sofa



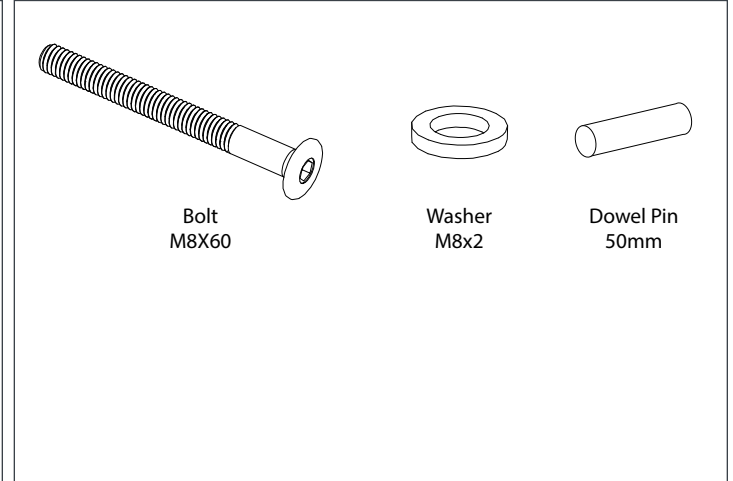
Aluminium Sofa

Hardware

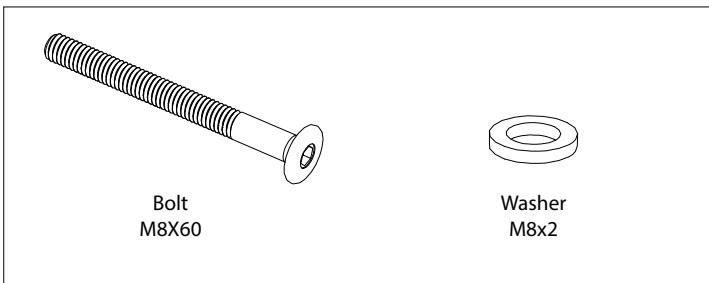
Sofa Seat Assembly



Back Rest Assembly

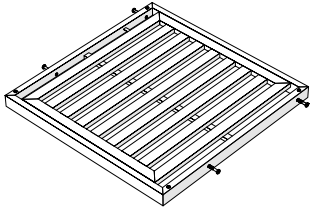


Arm Rest Assembly



Component for SKU Packages

Seat Base Pack



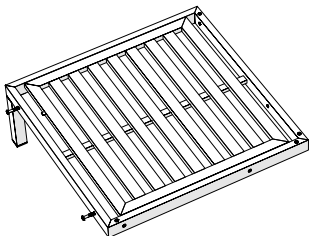
Stainless Steel -Aluminium

Item No.	Description	Quantity
1	Seat Base (Stainless Steel-Aluminium)	1
2	Washer (M8x2)	4
3	M6x25 Bolt	4
4	M6x60 Bolt	6
5	Plastic Cap (8mm)	4
6	M6 Hex Lock Nut	2

Aluminium

Item No.	Description	Quantity
1	Seat Base (Aluminium)	1
2	Washer (M8x2)	4
3	M6x25 Bolt	4
4	M6x60 Bolt	6
5	Plastic Cap (8mm)	4
6	M6 Hex Lock Nut	2

Corner SeatBase with corner leg



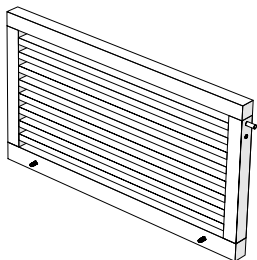
Stainless Steel -Aluminium

Item No.	Description	Quantity
1	Corner Seat Base (Stainless Steel-Aluminium)	1
2	Washer (M8x2)	8
3	M6x20 Bolt	2
4	M6x60 Bolt	6
5	Plastic Cap (8mm)	4
6	Corner Leg Post	1
7	M6 Hex Lock Nut	2

Aluminium

Item No.	Description	Quantity
1	Corner Seat Base (Aluminium)	1
2	Washer (M8x2)	8
3	M6x20 Bolt	2
4	M6x60 Bolt	6
5	Plastic Cap (8mm)	4
6	Corner Leg Post	1
7	M6 Hex Lock Nut	2

Backrest Pack



Teak

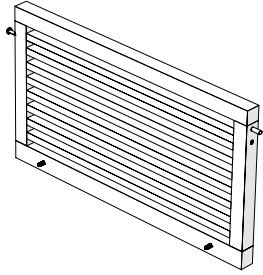
Item No.	Description	Quantity
1	Backrest (Teak)	1
2	Washer (M8x2)	2
3	M8x60 Bolt	2
4	50mm Dowell Pin	1

Aluminium

Item No.	Description	Quantity
1	Backrest (Aluminium)	1
2	Washer (M8x2)	2
3	M8x60 Bolt	2
4	50mm Dowell Pin	1

Component for SKU Packages

Corner Backrest Pack



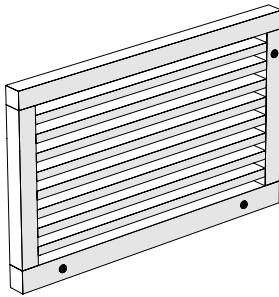
Teak

Item No.	Description	Quantity
1	Corner Backrest (Teak)	1
2	Washer (M8x2)	3
3	M8x60 Bolt	3

Aluminium

Item No.	Description	Quantity
1	Corner Backrest (Aluminium)	1
2	Washer (M8x2)	3
3	M8x60 Bolt	3

Armrest Pack (Pack of 2)



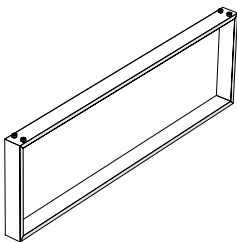
Teak

Item No.	Description	Quantity
1	Armrest (Teak)	2
2	Washer (M8x2)	6
3	M8x60 Bolt	6

Aluminium

Item No.	Description	Quantity
1	Armrest (Aluminium)	2
2	Washer (M8x2)	6
3	M8x60 Bolt	6

Leg Pack



Stainless Steel

pack of 2

Item No.	Description	Quantity
1	Stainless Steel Leg	2

Aluminium

pack of 2

Item No.	Description	Quantity
1	Aluminium Leg	2

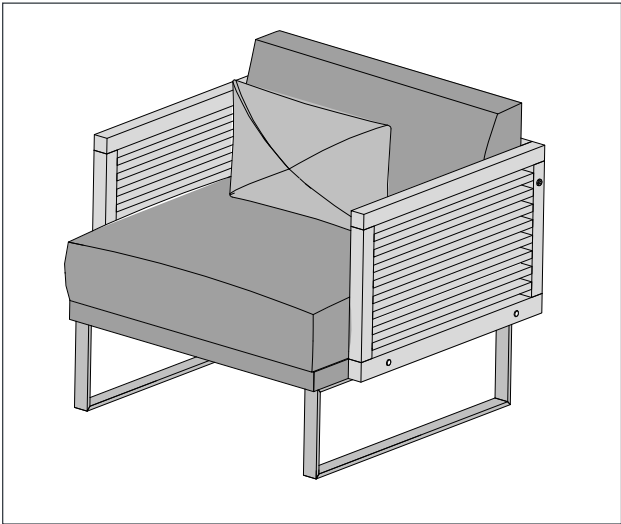
pack of 3

Item No.	Description	Quantity
1	Stainless Steel Leg	3

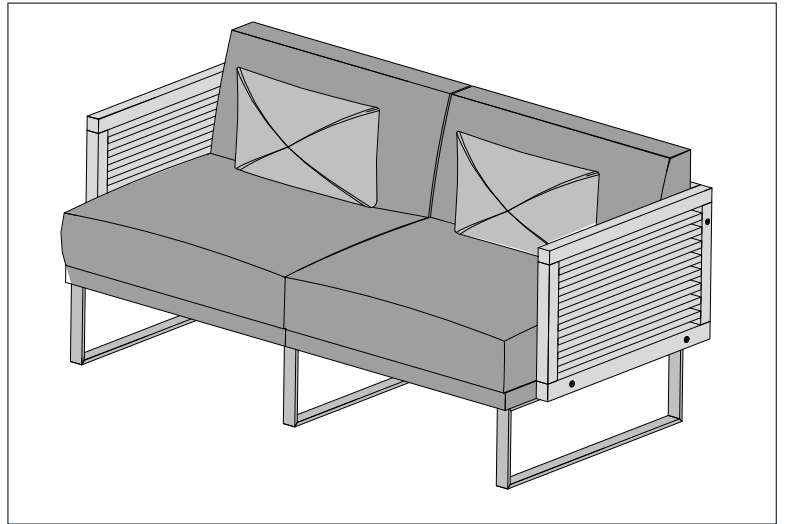
pack of 3

Item No.	Description	Quantity
1	Aluminium Leg	3

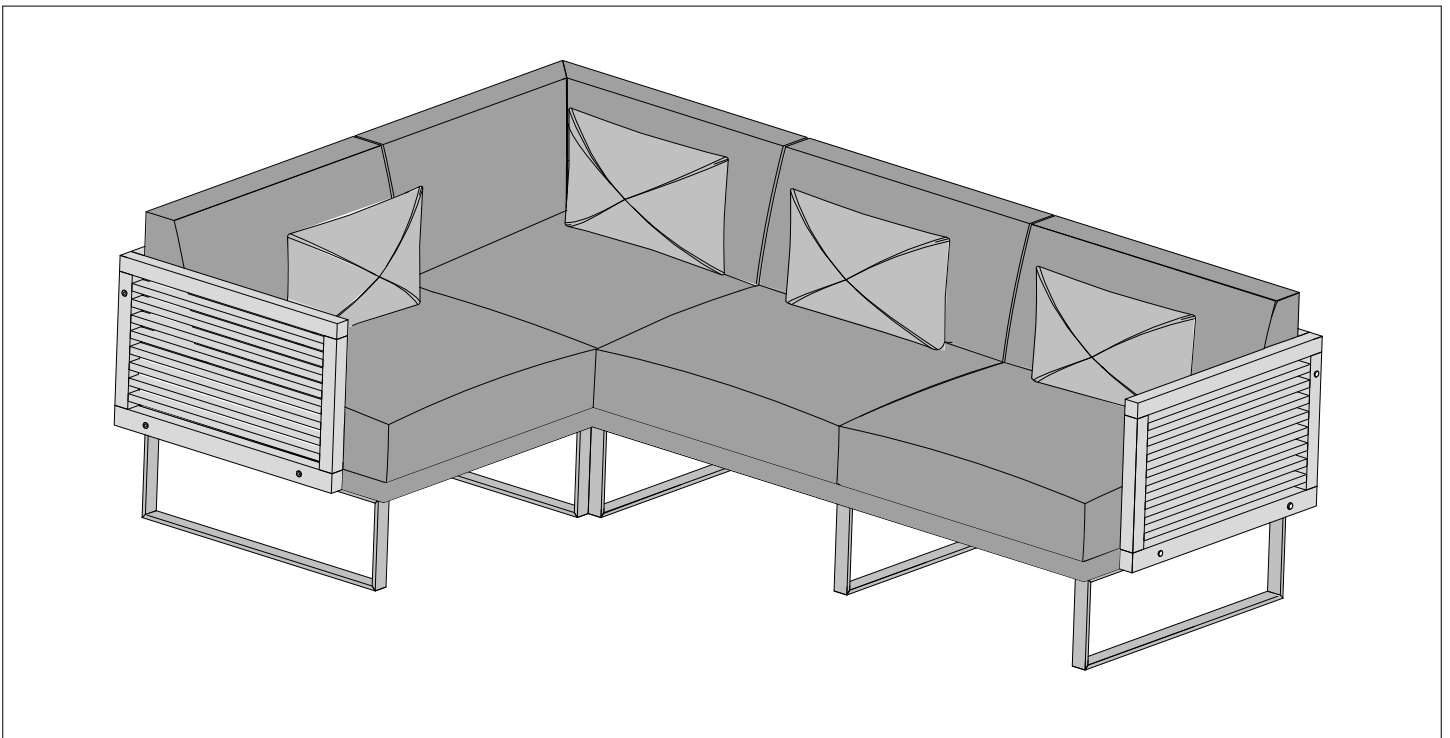
Layout Examples



Single Seater



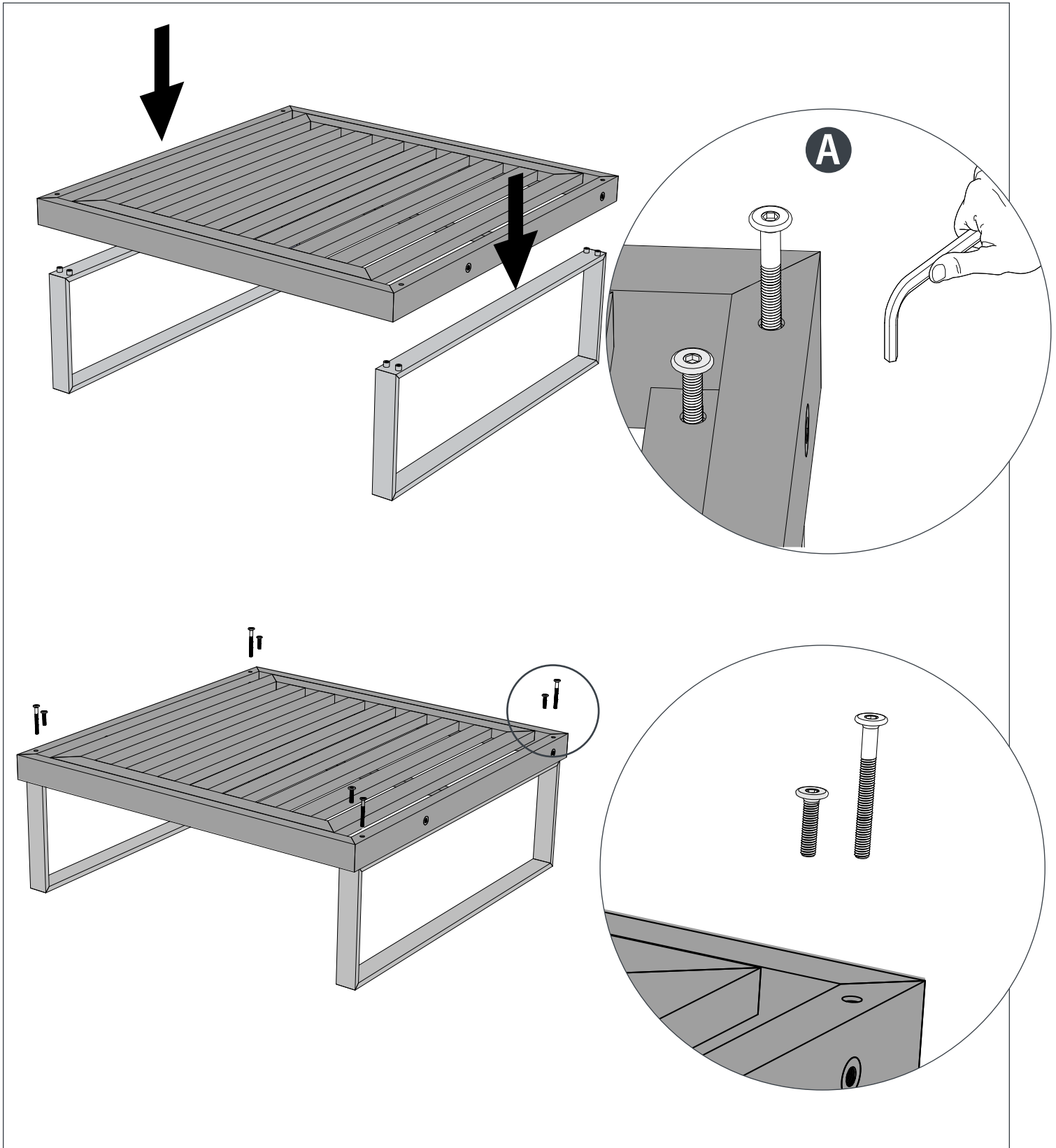
Linear Layout



Corner Layout

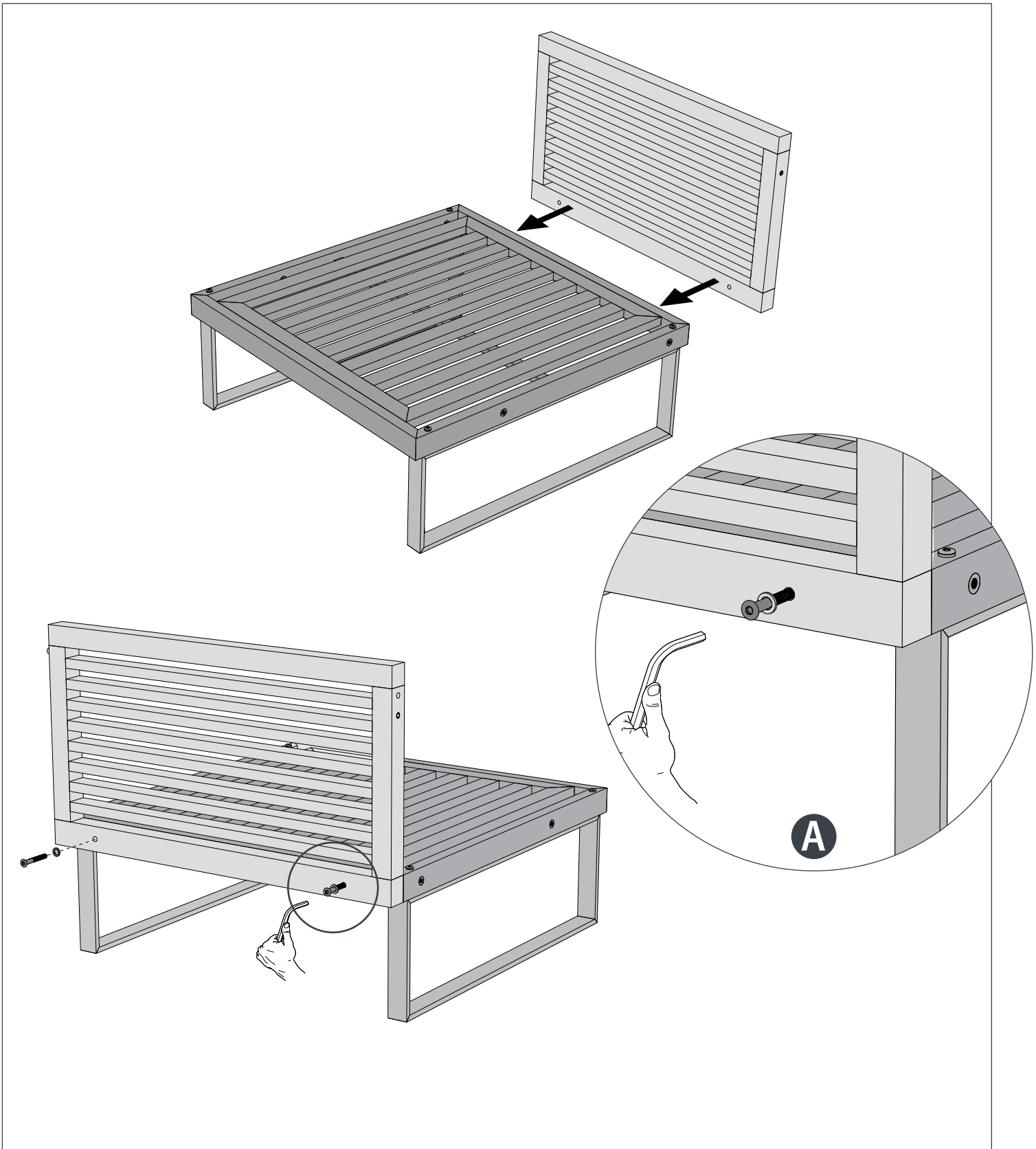
Single Seater Assembly

- 1 Place the seatbase assembly on top of the two legs and tighten one M6x60 and one M6x25 bolt at each corner of the leg assembly as shown(A) to fix legs by using an allen key.



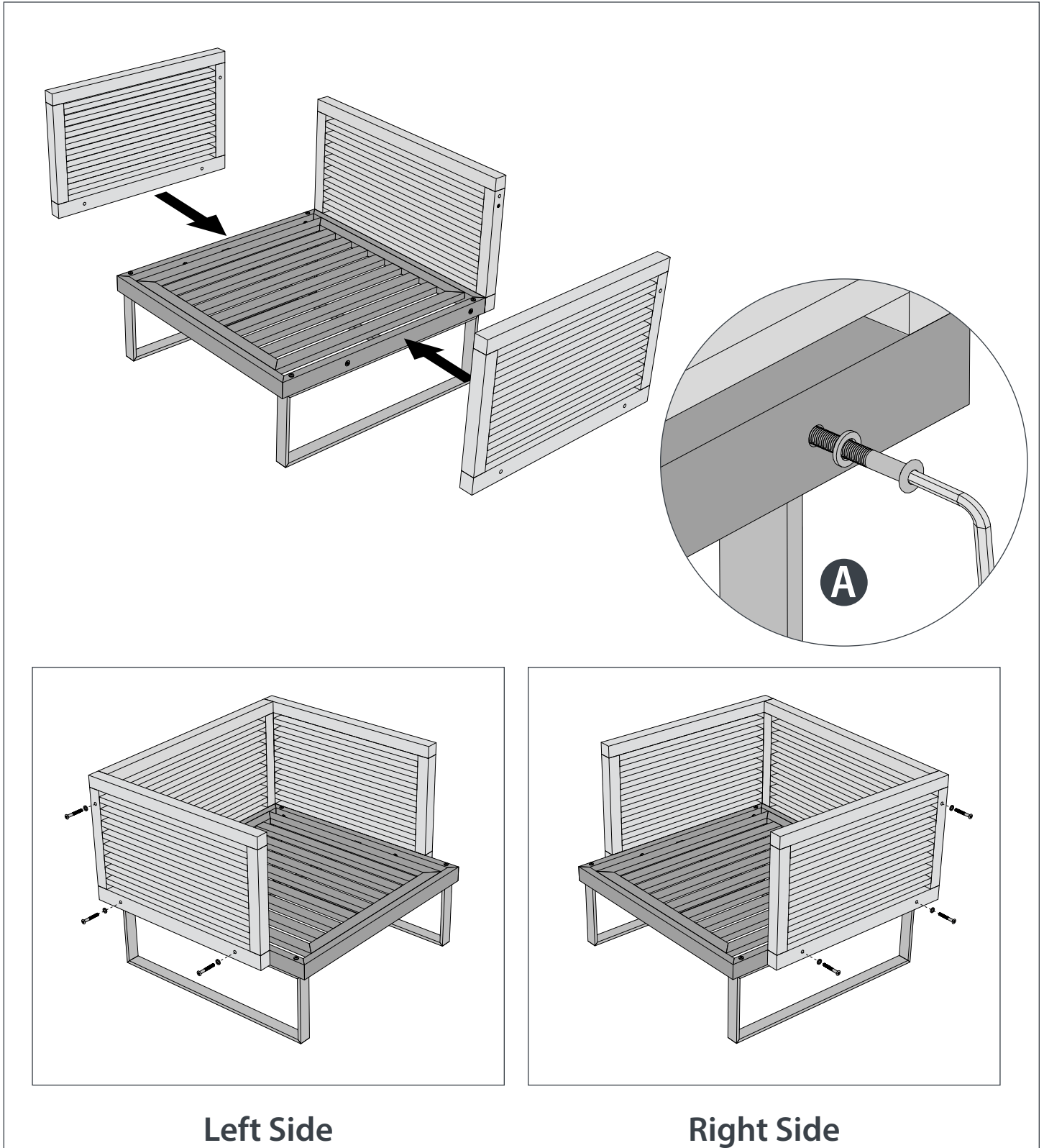
Single Seater Assembly

- 2** Attach the backrest to the assembly using two M8x60mm bolts as shown (A) with an allen key. Add the M8 washers to the bolts.



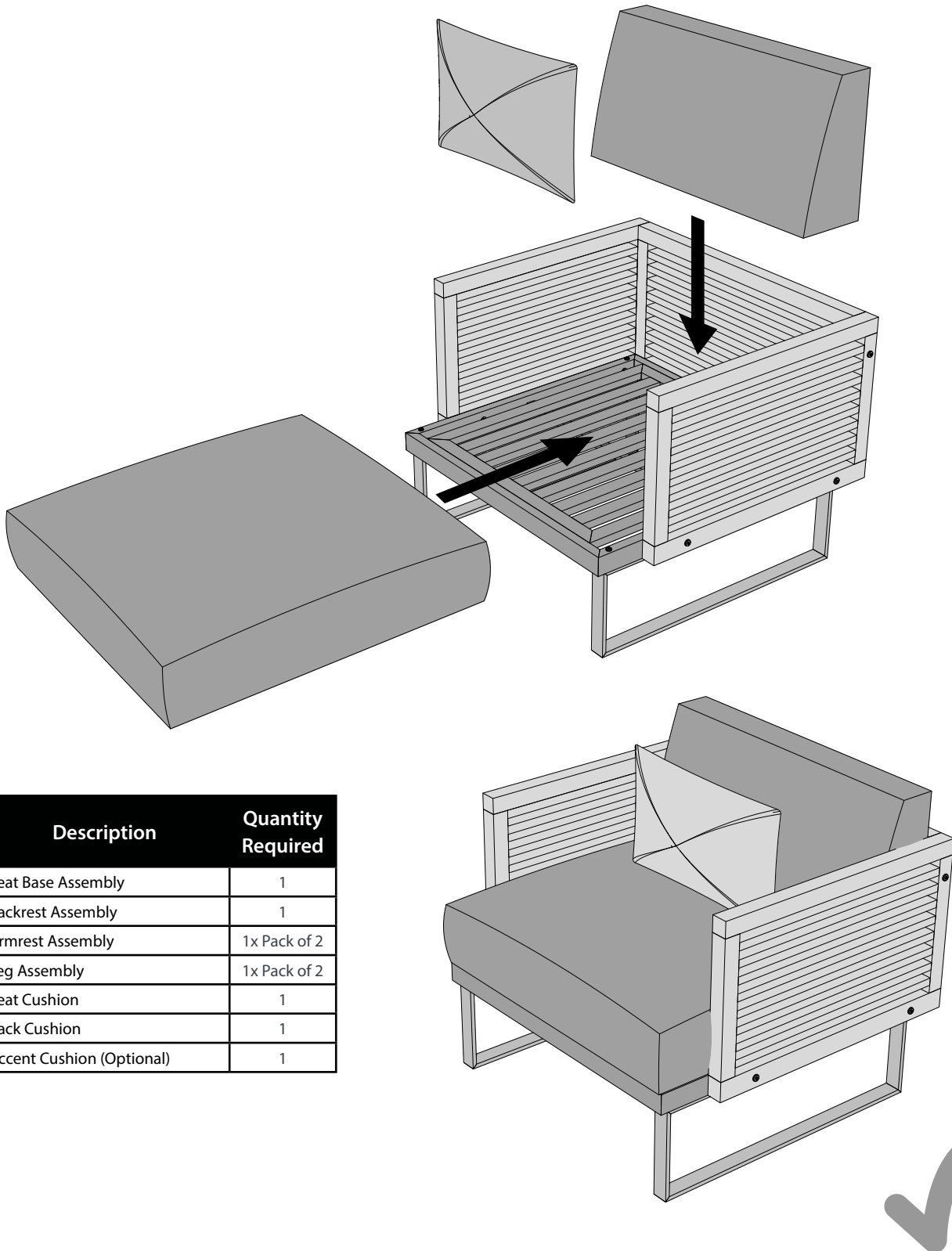
Single Seater Assembly

- 3** Attach side armrests to the assembly using three M8x60mm bolts on each side. Add the M8 washer for all the bolts. Use an allen key to tighten the bolts as shown(A)



Single Seater Assembly

4 Place seat cushion, back cushion and throw pillow(Optional) on the sofa assembly.



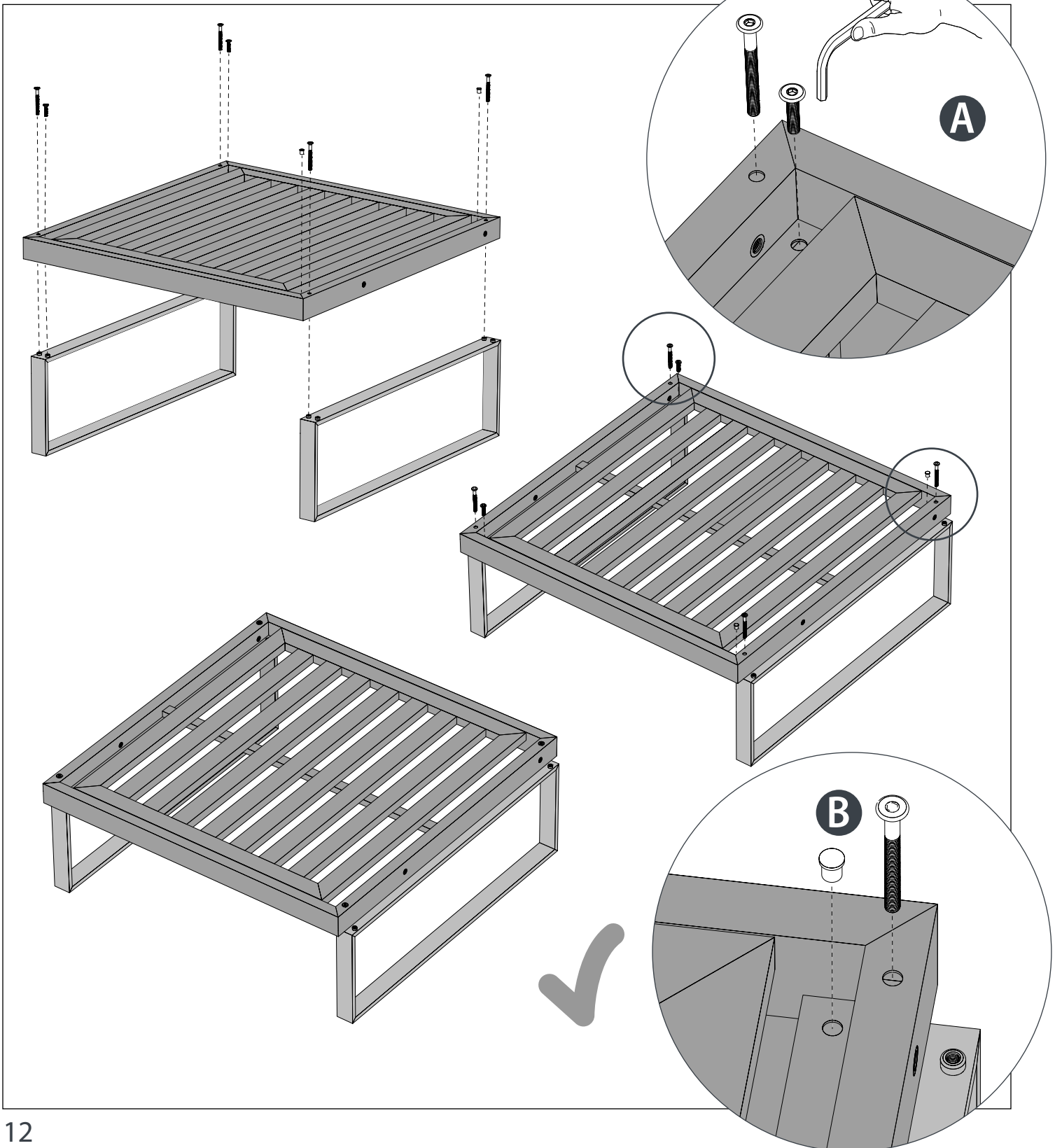
Item No.	Description	Quantity Required
1	Seat Base Assembly	1
2	Backrest Assembly	1
3	Armrest Assembly	1x Pack of 2
4	Leg Assembly	1x Pack of 2
5	Seat Cushion	1
6	Back Cushion	1
7	Accent Cushion (Optional)	1

Multi Seater Assembly

Place the seat base assembly like the single seater on top of the left leg. Assemble the left leg by adding two M6x60 bolts and two M6x25 bolts(A).

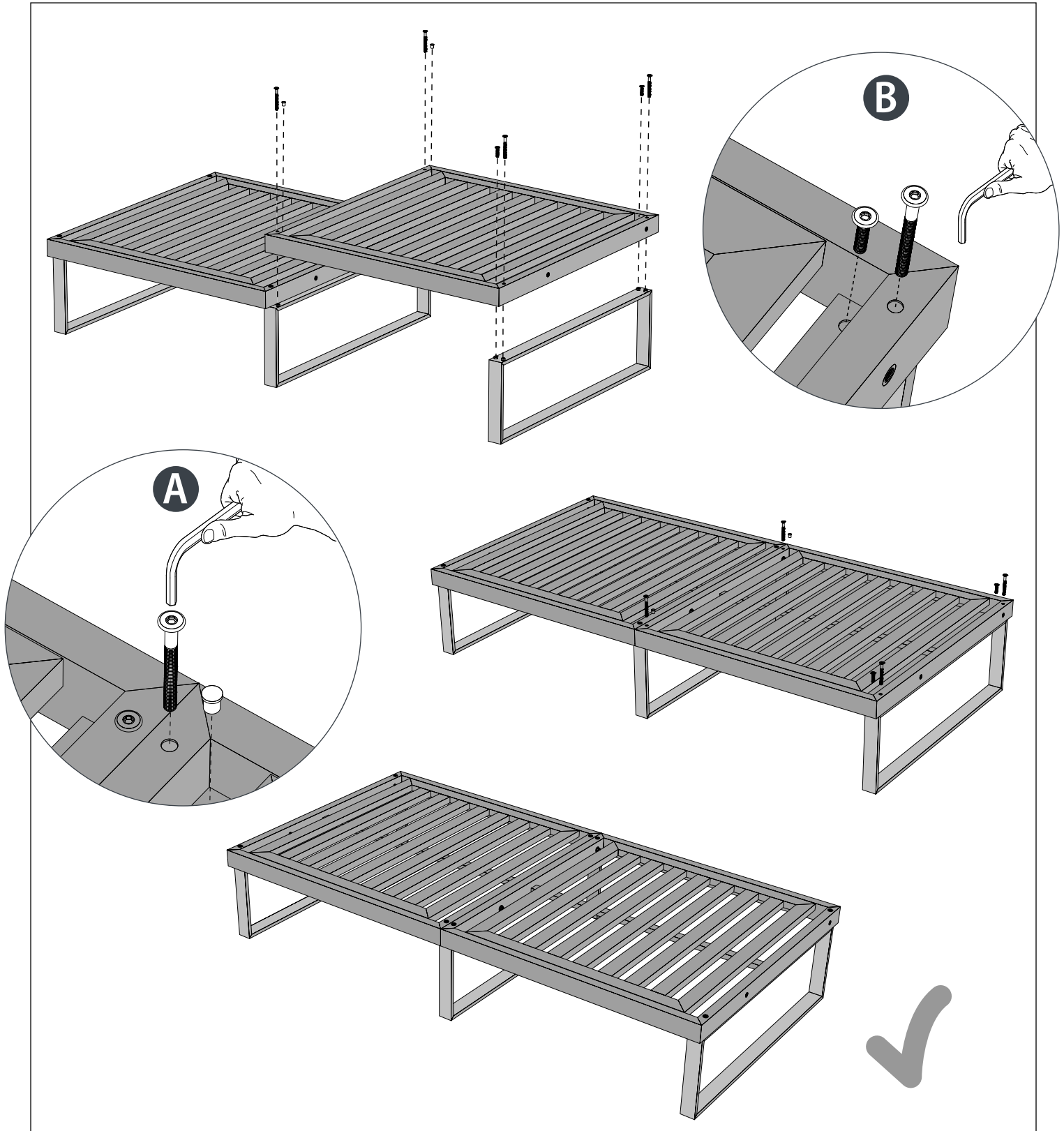
1 Now place the right leg on the outer holes of the seat base by adding two M6x60 bolts as shown in the illustrations.

Add the plastic cap on top of the unused holes of the seat base(B).



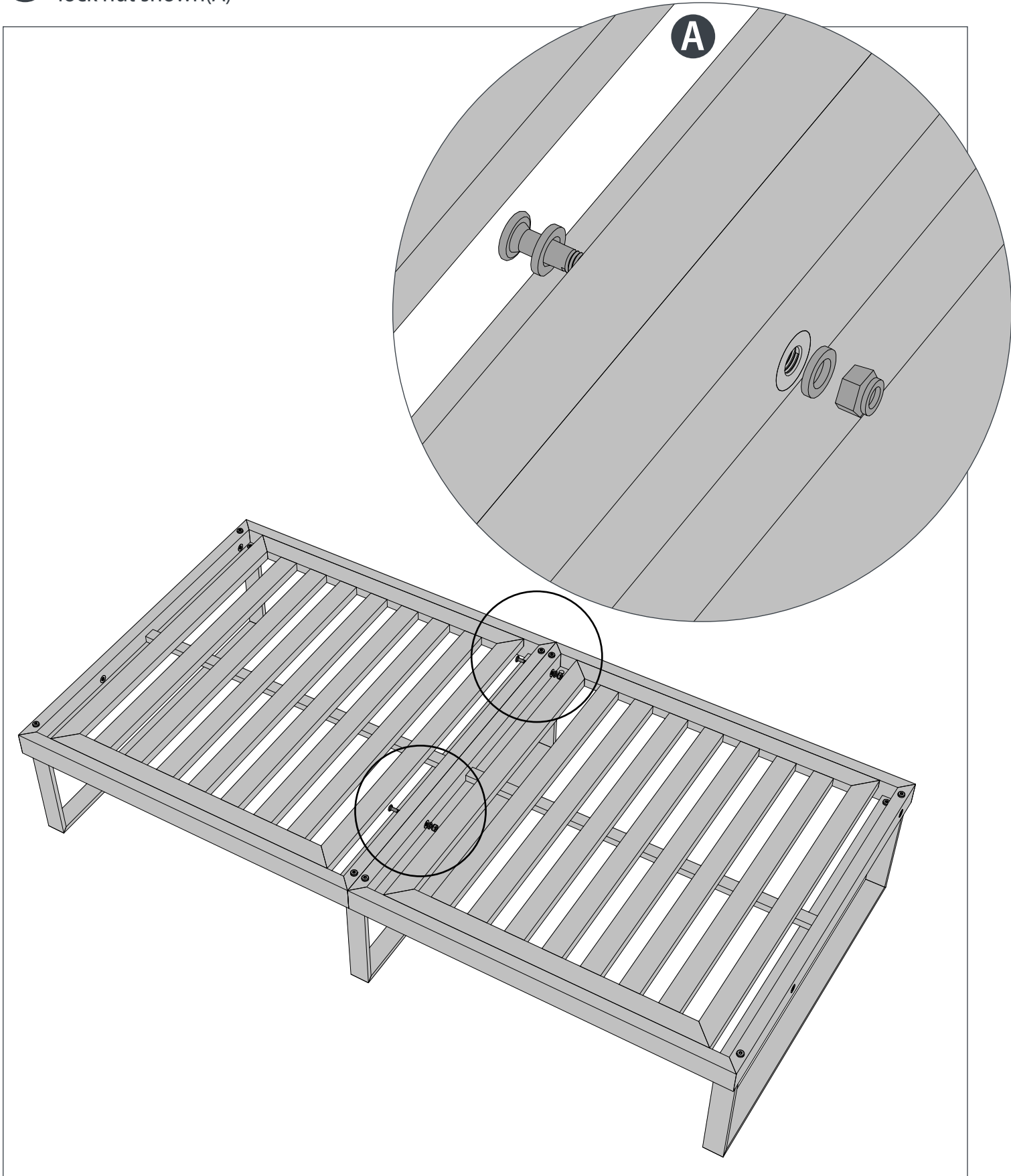
Multi Seater Assembly

- 2** Now add a seatbase to the shared leg and tighten two M6x60 bolts(A). Then attach the last leg to the right side of the assembly by adding two M6x60 bolts and two M6x25 bolts each with an allen key(B).



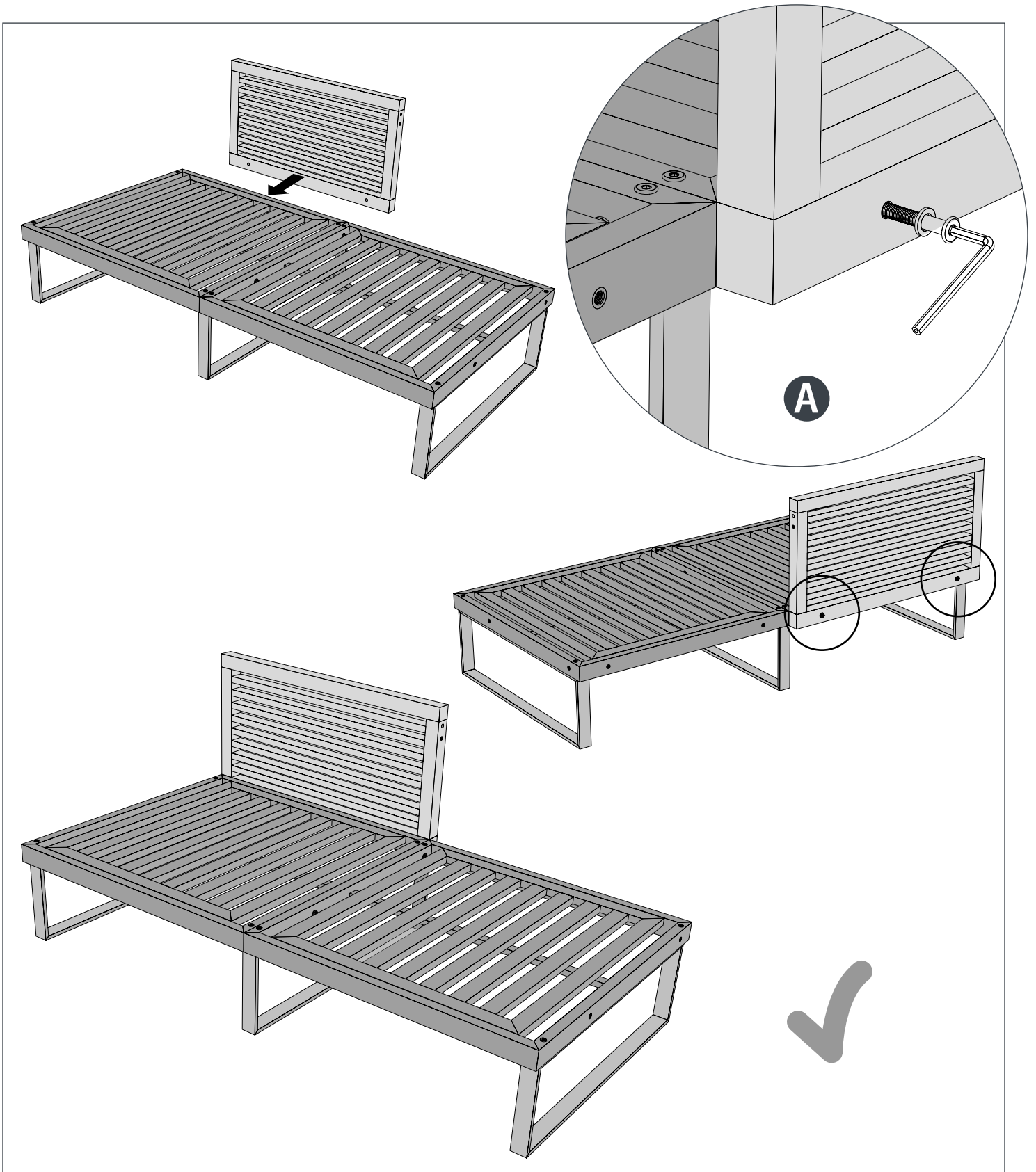
Multi Seater Assembly

- 3** Add two M6x60 bolts to join the two seat basis and secure it with a M8 washer and M6 hex lock nut shown(A)



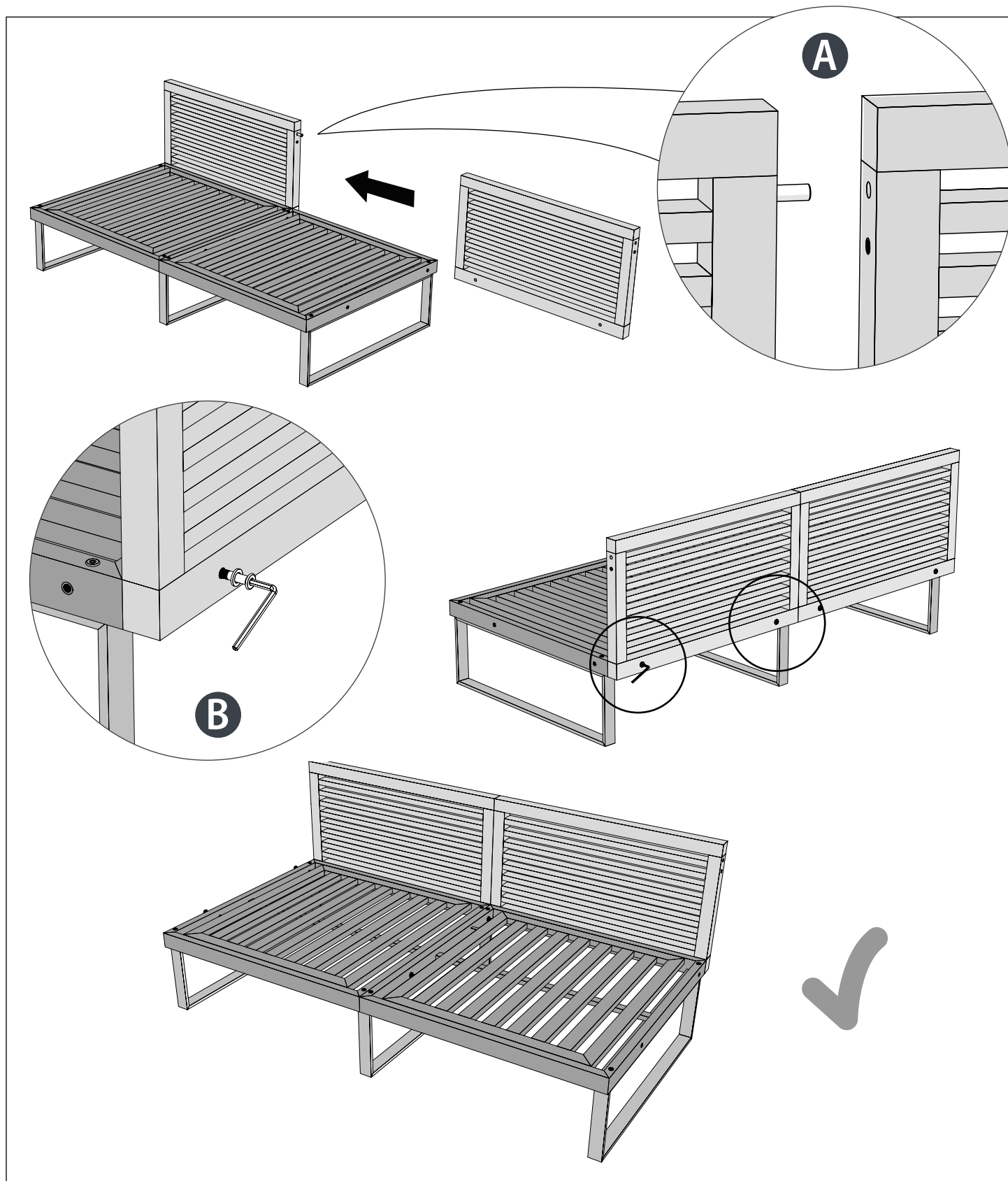
Multi Seater Assembly

- 4** Attach the first backrest with two M8x60 bolts and M8 washers with an allen key(A).



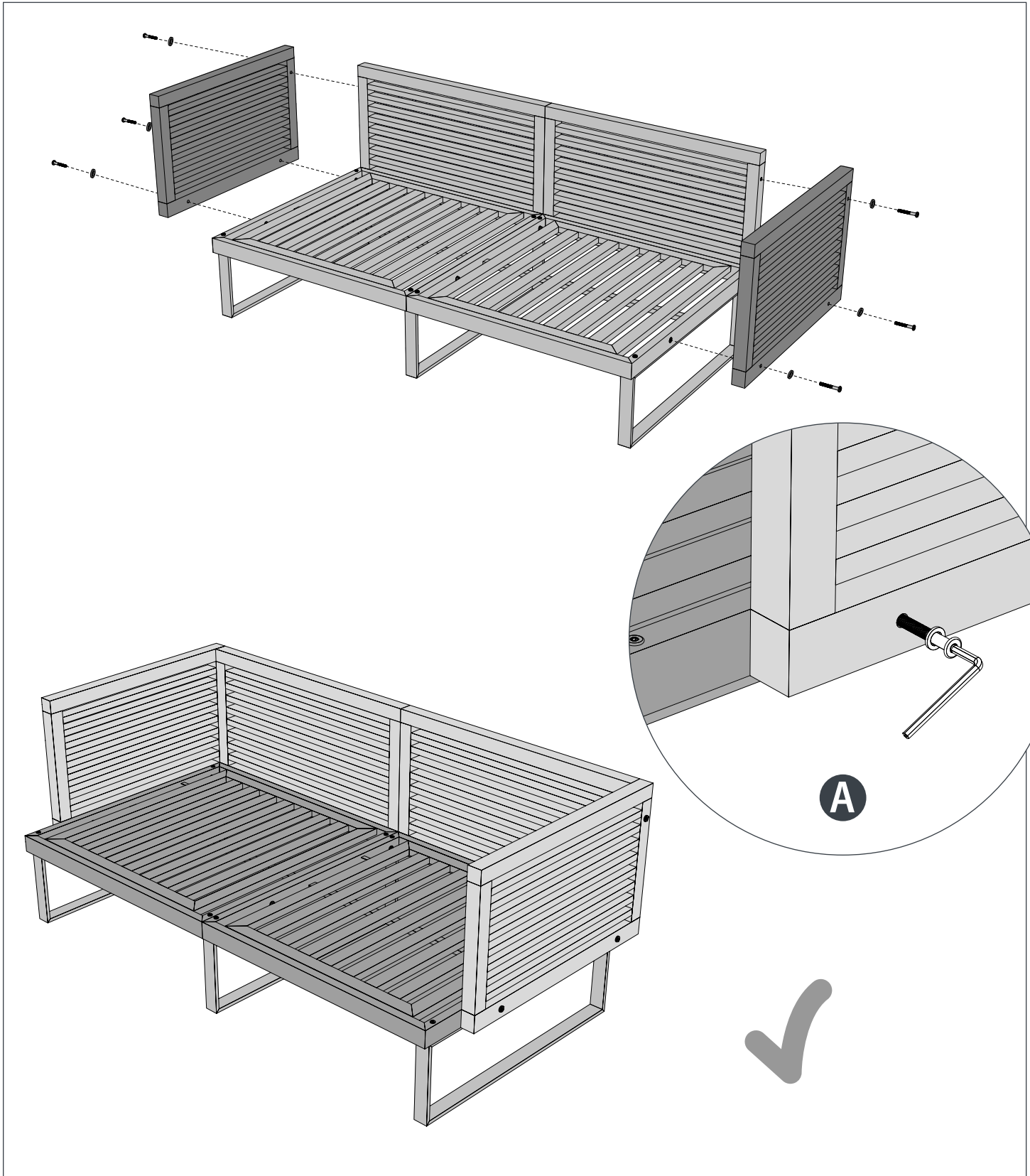
Multi Seater Assembly

- 5** Insert the 50mm Dowell Pin(A) into the first backrest and slide the second backrest from the side and add two M8x60 bolts and M8 washers with an allen key(B).



Multi Seater Assembly

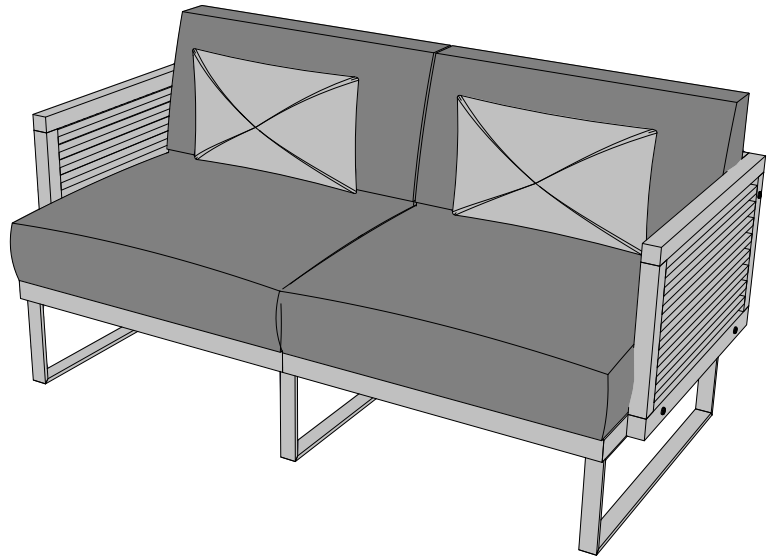
- 6** Now attach the two armrests to the assembly using three M8x60mm bolts with M8 washers on each side as shown in the illustrations using an allen key(A).



Multi Seater Assembly

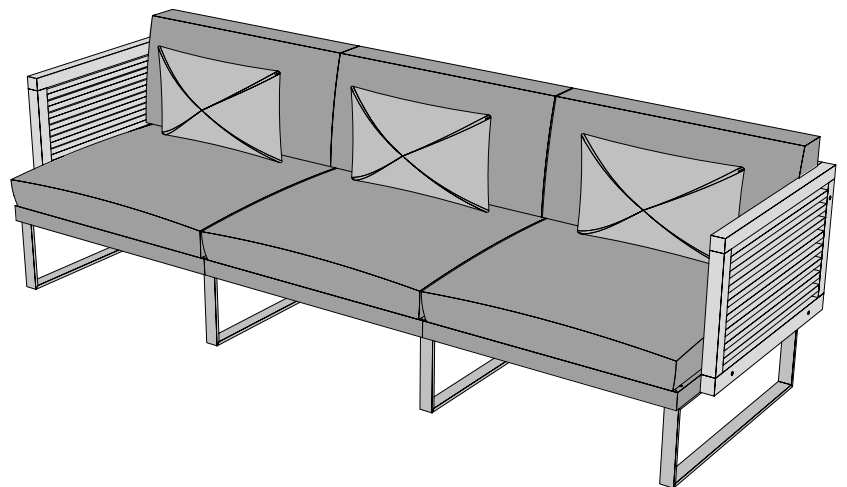
7 Place the seat cushions, back cushions and throw pillows(Optional) on the sofa assembly.

Item No.	Description	Quantity Required
1	Seat Base Assembly	2
2	Backrest Assembly	2
3	Armrest Assembly	1x Pack of 2
4	Leg Assembly	1x Pack of 3
5	Seat Cushion	2
6	Back Cushion	2
7	Accent Cushion (Optional)	2



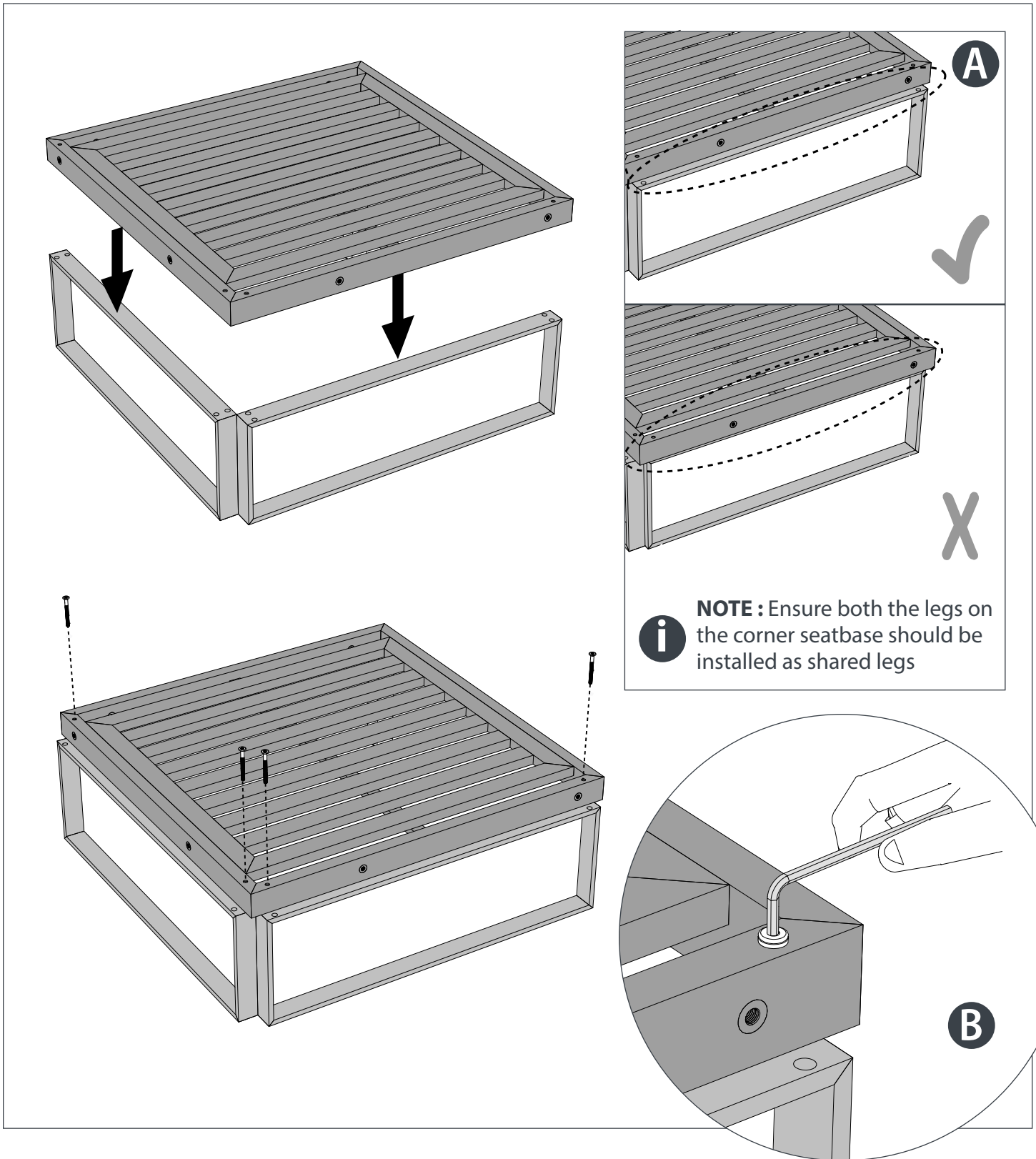
i Similarly by adding another seatbase and backrest with two shared legs, a three seater can be installed.

Item No.	Description	Quantity Required
1	Seat Base Assembly	3
2	Backrest Assembly	3
3	Armrest Assembly	1x Pack of 2
4	Leg Assembly	2x Pack of 2
5	Seat Cushion	3
6	Back Cushion	3
7	Accent Cushion (Optional)	3



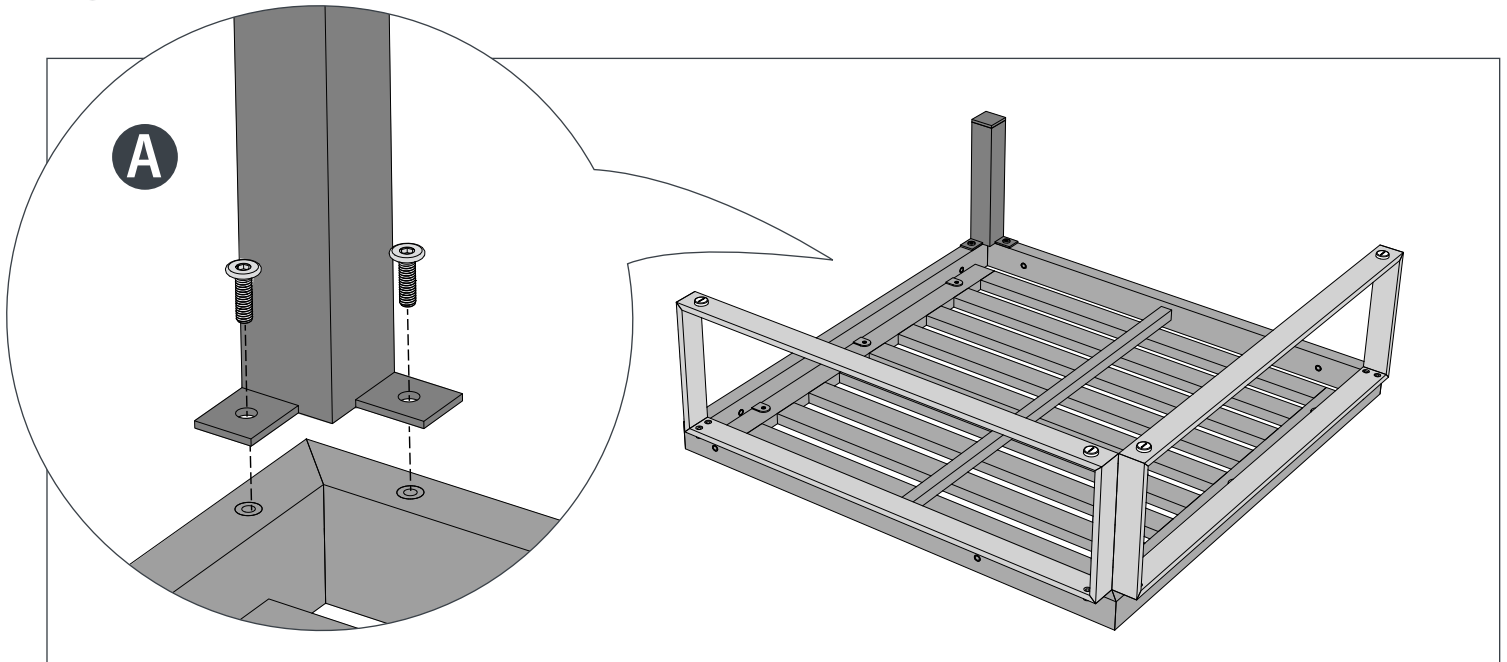
Corner Assembly

- 1** Place the corner seatbase on top of the two legs and tighten four M6x60mm bolts to fix legs by using an allen key as shown in the image. Ensure the location of the tightening the bolts as shown(A)



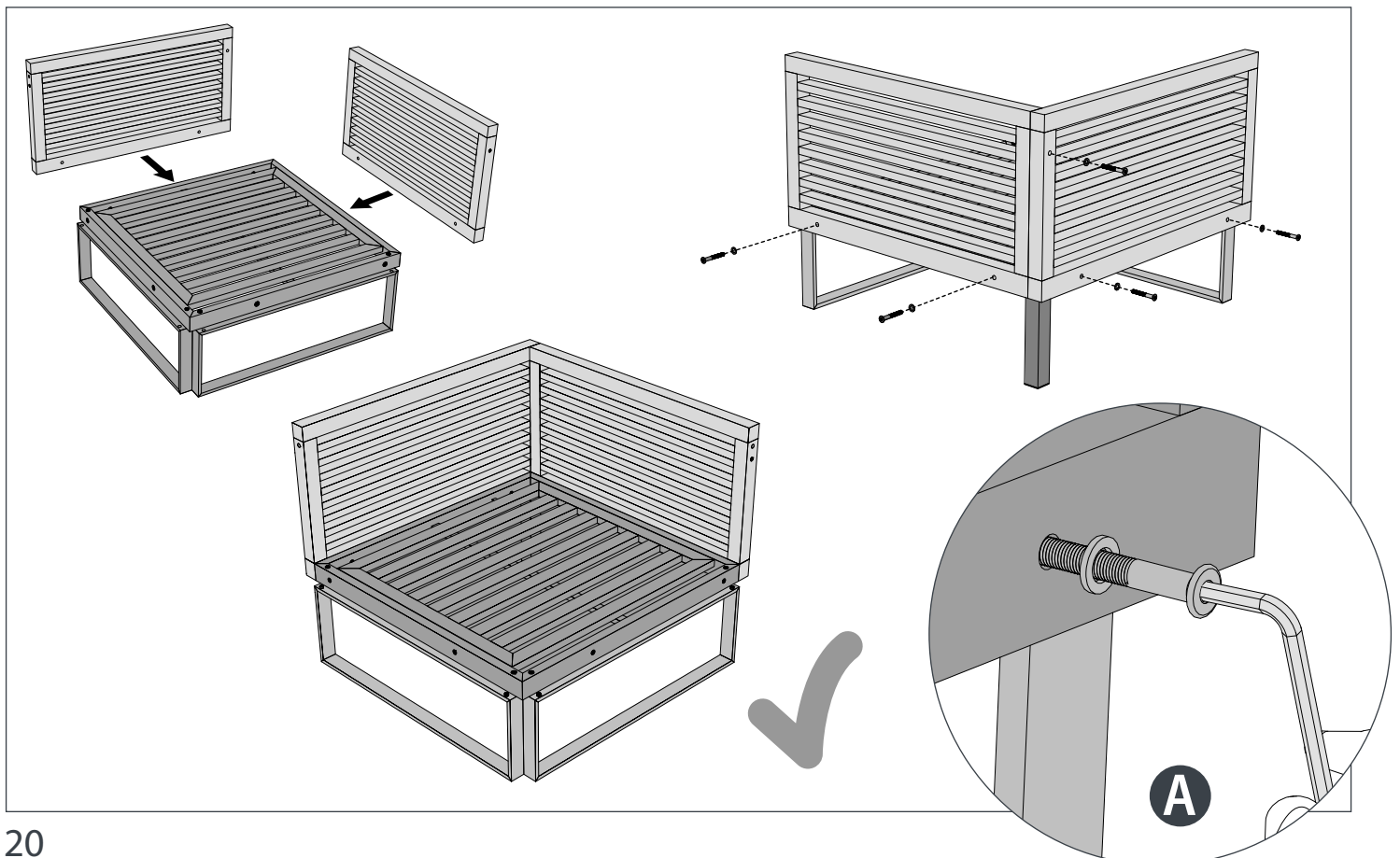
Corner Assembly

- 2** Flip the assembly and install the corner leg using two M6x20mm bolts(A) with an allen key.



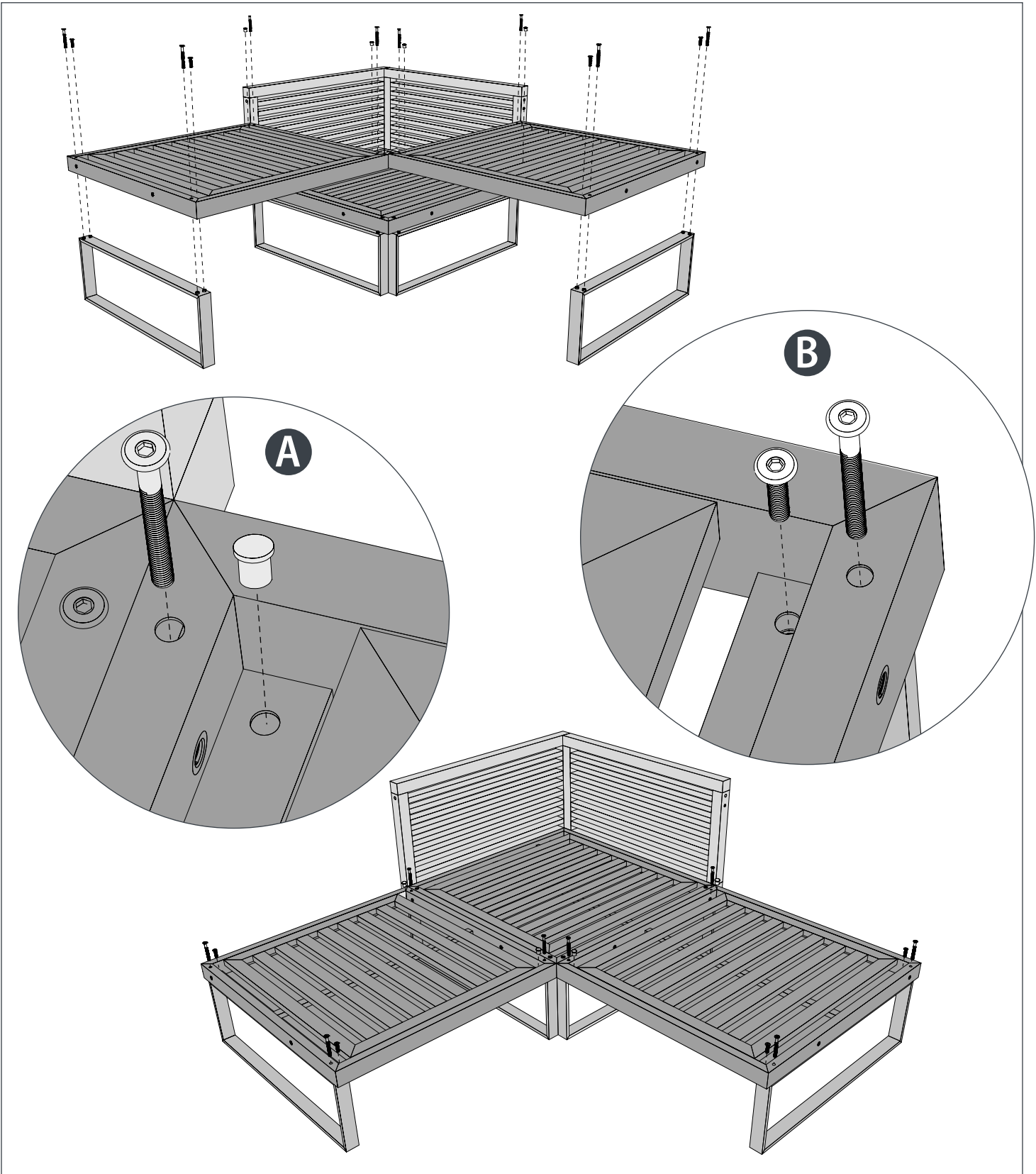
- 3** Attach side arms to the assembly using five M8x60mm bolts and M8 washers as shown in the image below. Tighten the bolts with an allen key(A).

i **NOTE:** For the corner assembly the regular backrest is used with a corner armrest to the left which is only for the corner sofa assembly.



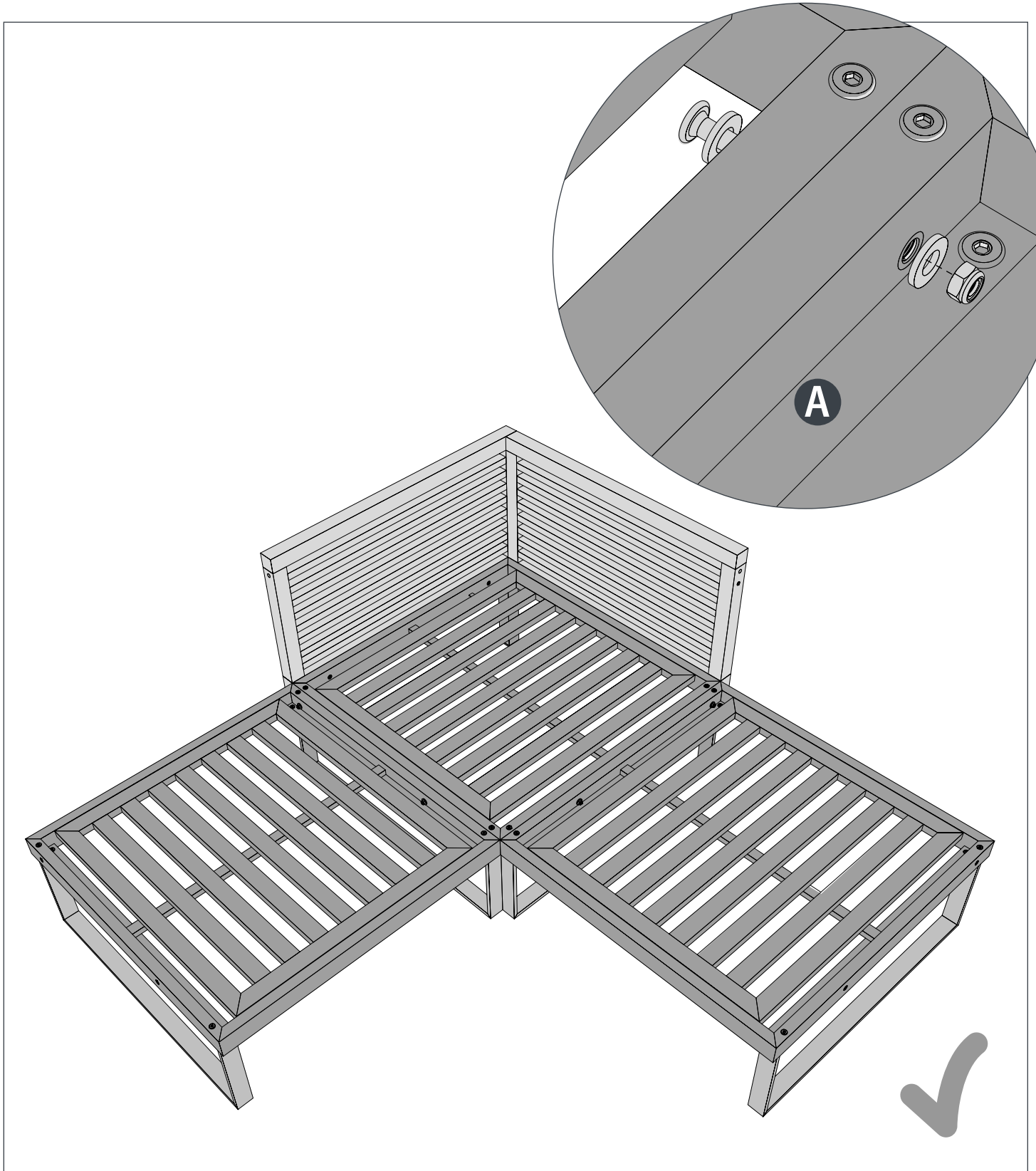
Corner Set Assembly

- 4** Now attach two seatbase on each side of the corner sofa with two M6X60mm bolts on the shared leg(A). Then attach the two outer legs to the assembly by adding two M6x60mm bolts and two M6x25mm bolts on each side with an allen key(B).



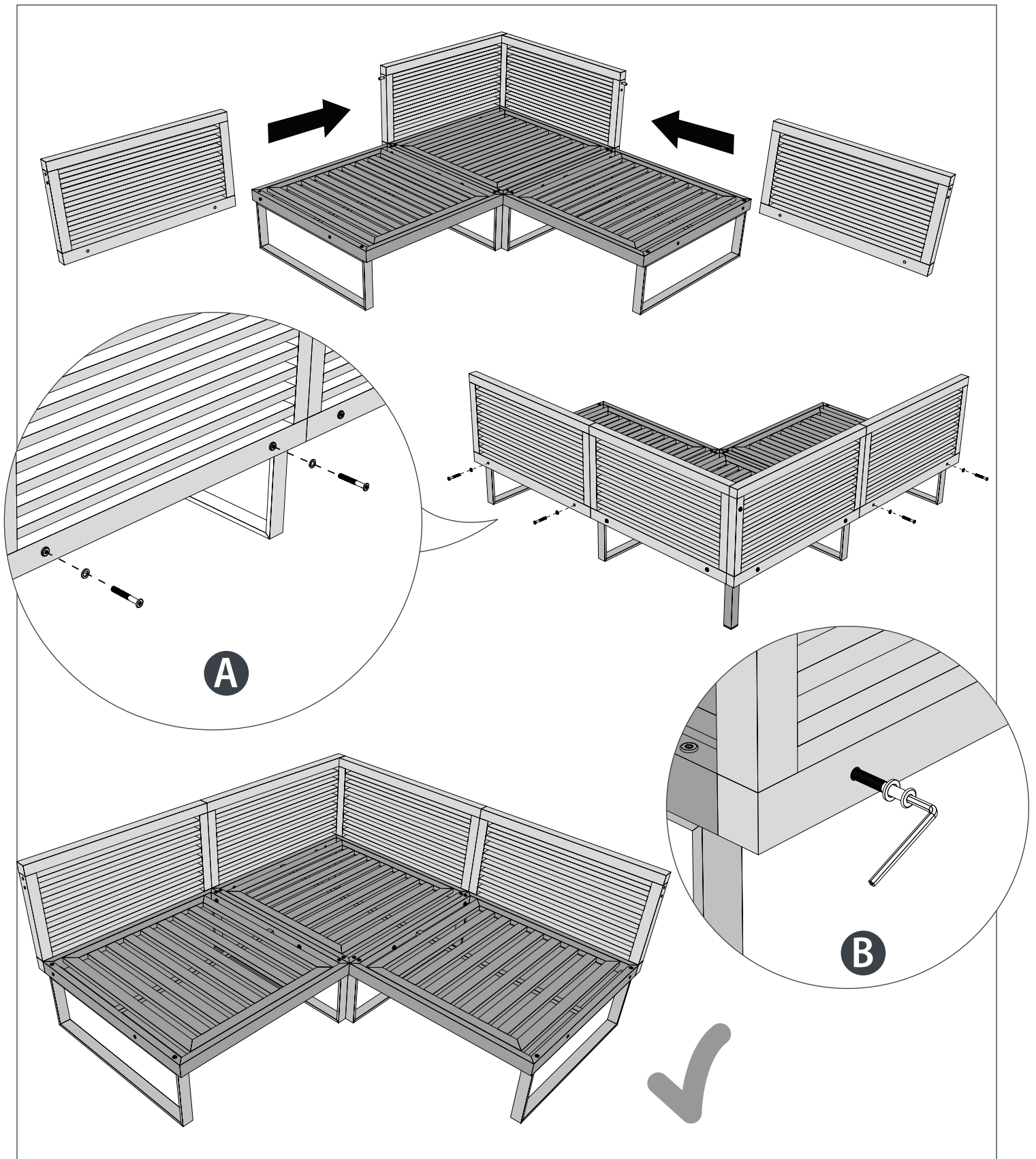
Corner Set Assembly

- 5** Add two M6x60mm bolts on each side to join the two seatbase assemblies and secure it with a M8 washer and M6 hex lock nut shown(A)



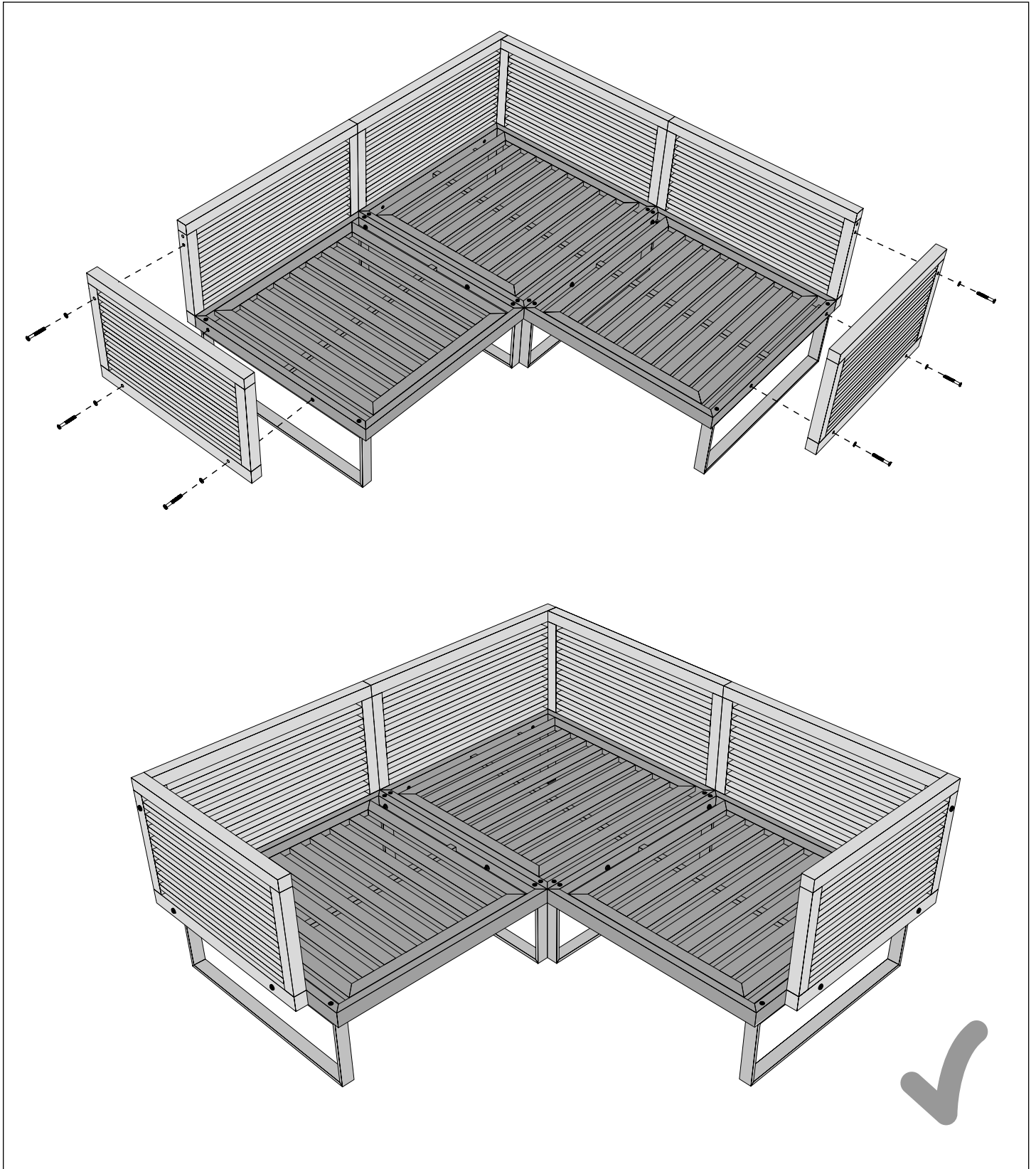
Corner Set Assembly

- 6** Now attach the backrest on both the seatbase assemblies with two M8X60mm bolts and M8 washers(A) for each backrest with an allen key(B).



Corner Set Assembly

- 7** Now attach the two armrests to the assembly using three M8x60mm bolts and M8 Washers on each side as shown in the illustrations.

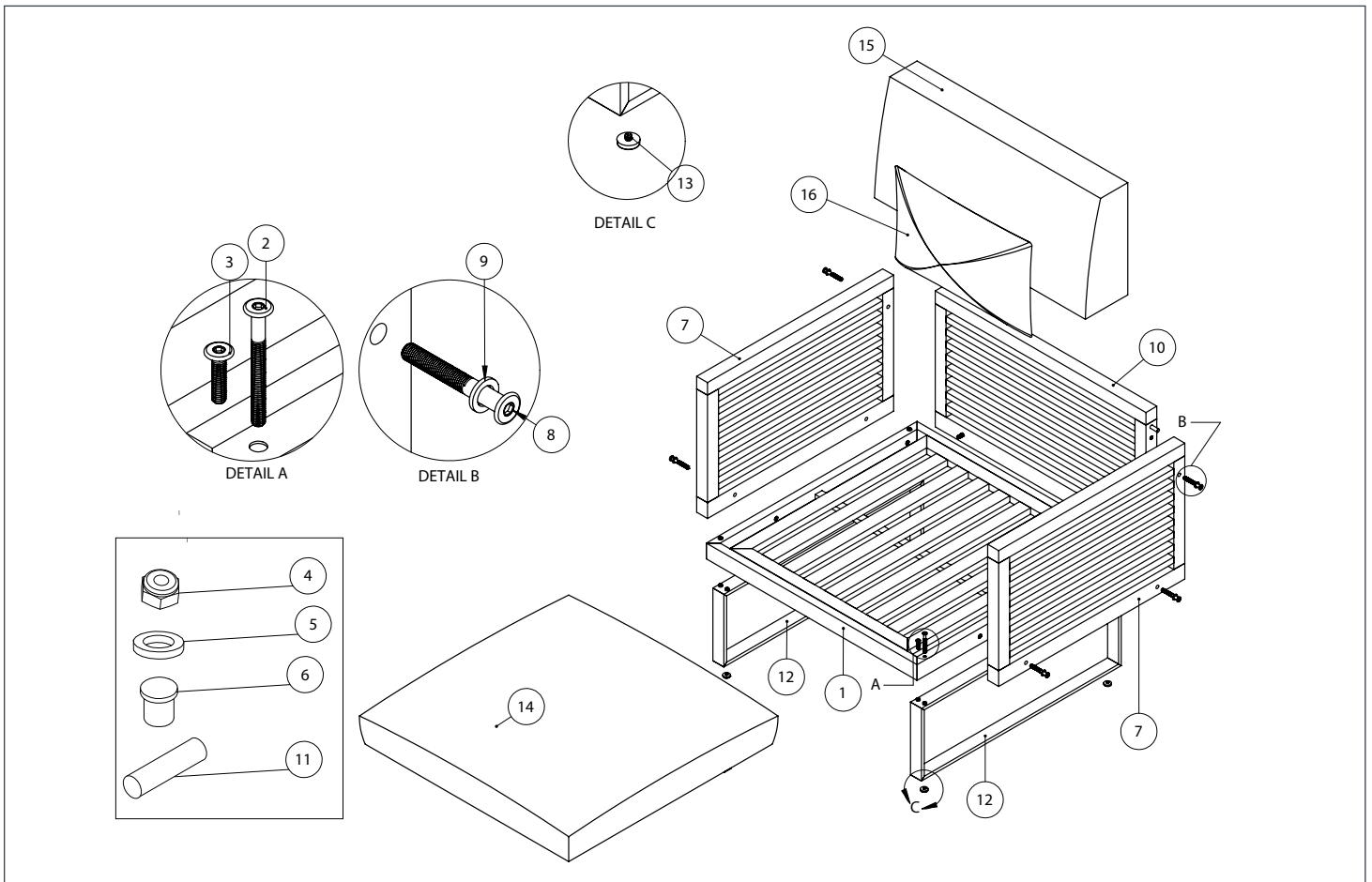


Corner Set Assembly

i NOTE : In a similar way the corner set can be installed with multiple configurations as needed.



Spare Parts - Single Seater



Stainless Steel - Teak Sofa

Item No.	Part No.	Spare Part SKU #	Description	BOM QTY
1	ODF-08.001A-01-XX	NA	Outdoor Furniture Monterey Patio Chair SS-Teak Seat Assy	1
2	H00287A-01	91942	JCBC M6X60(Bolt)	6
3	H00452A-01	91936	JCBC M6X25(Bolt)	4
4	H00317A-01	91971	Hex Lock Nut M6	2
5	H00336A-01	91967	Ring ID8 X OD16 X 2mm(Washer)	4
6	H00381A-01	91981	Plastic Cap Dia. 8mm	4
7	ODF-01.002A-01	NA	Outdoor Furniture Monterey Patio Chair Teak Armrest Assy	1(Pack of 2)
8	H00451A-01	91949	JCBC M8X60	8
9	H00336A-01	91967	Ring ID8 X OD16 X 2mm(Washer)	8
10	ODF-01.003A-01	NA	Outdoor Furniture Monterey Patio Chair Teak Backrest Assy	1
11	ODF-01.006A-01	91986	SS Dowel Pin 50mm	1
12	ODF-08.002A-01-XX	NA	Outdoor Furniture Monterey Patio Chair SS-Teak Leg Assy	1(Pack of 2)
13	H00333A-01	91958	Adjuster Shoe M6X5mm	4
14	ODF-52A-01-XX	NA	Outdoor Furniture Patio Chair Seat Cushion	1
15	ODF-49A-01-XX	NA	Outdoor Furniture Patio Chair Back Cushion	1
16	ODF-58A-01-XX	NA	Outdoor Furniture Patio Chair Accent Cushion	1

Spare Parts - Single Seater

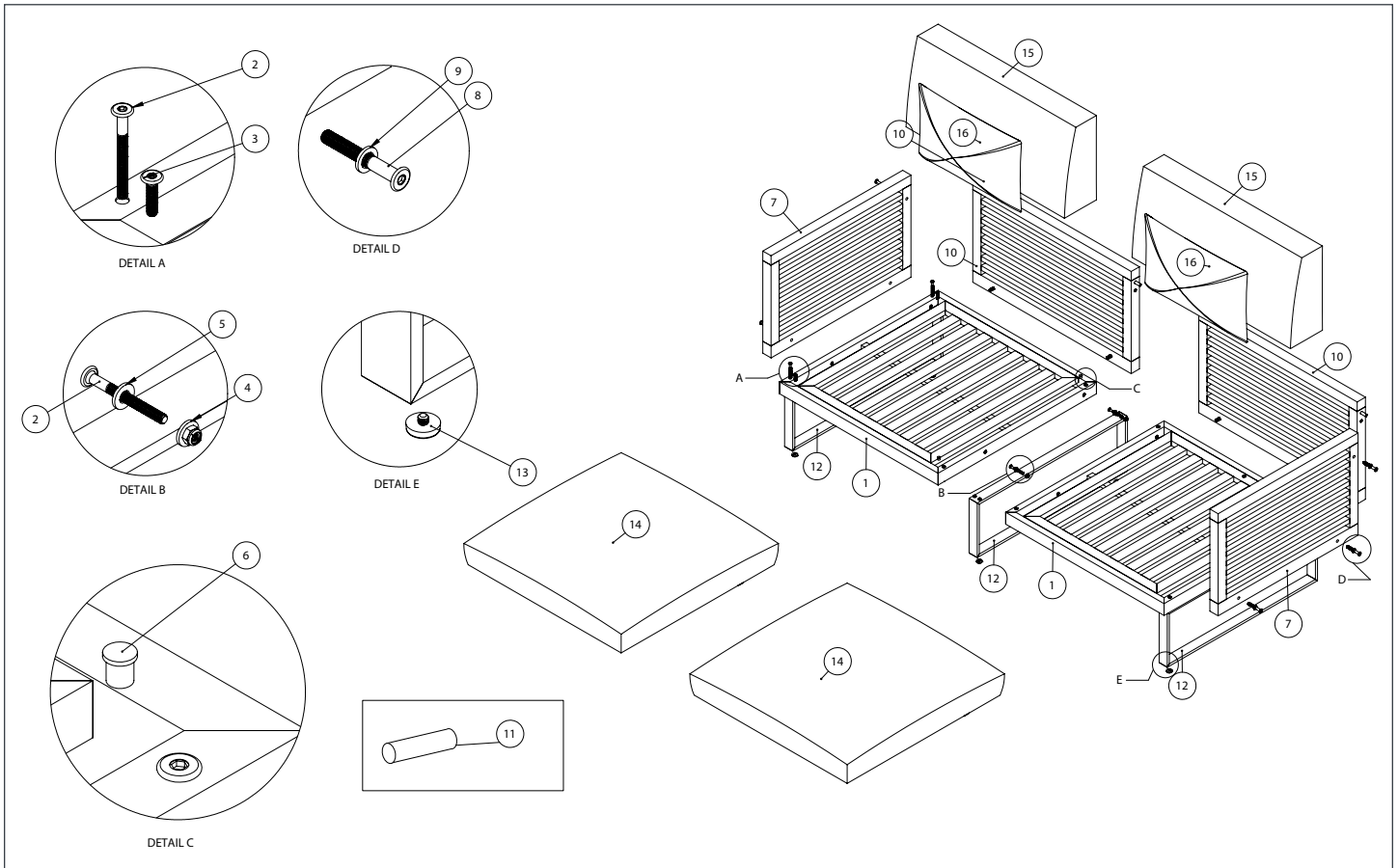
Aluminium - Teak Sofa

Item No.	Part No.	Spare Part SKU #	Description	BOM QTY
1	ODF-01.001A-01-XX	NA	Outdoor Furniture Monterey Patio Chair Alum-Teak Seat Assy	1
2	H00287A-01	91942	JCBC M6X60(Bolt)	6
3	H00452A-01	91936	JCBC M6X25(Bolt)	4
4	H00317A-01	91971	Hex Lock Nut M6	2
5	H00336A-01	91967	Ring ID8 X OD16 X 2mm(Washer)	4
6	ODF-01.005A-01	91980	Plastic Cap Dia. 8mm-Black	4
7	ODF-01.002A-01	NA	Outdoor Furniture Monterey Patio Chair Teak Armrest Assy	1(Pack of 2)
8	H00451A-01	91949	JCBC M8X60	8
9	H00336A-01	91967	Ring ID8X OD16 X 2mm(Washer)	8
10	ODF-01.003A-01	NA	Outdoor Furniture Monterey Patio Chair Teak Backrest Assy	1
11	ODF-01.006A-01	91986	SS Dowel Pin 50mm	1
12	ODF-01.004A-01-XX	NA	Outdoor Furniture Monterey Patio Chair Alum-Teak Leg Assy	1(Pack of 2)
13	H00333A-01	91958	Adjuster Shoe M6X5mm	4
14	ODF-52A-01-XX	NA	Outdoor Furniture Patio Chair Seat Cushion	1
15	ODF-49A-01-XX	NA	Outdoor Furniture Patio Chair Back Cushion	1
16	ODF-58A-01-XX	NA	Outdoor Furniture Patio Chair Accent Cushion	1

Aluminium Sofa

Item No.	Part No.	Spare Part SKU #	Description	BOM QTY
1	ODF-01.001A-01-XX	NA	Outdoor Furniture Monterey Patio Chair Alum-Teak Seat Assy	1
2	H00287A-01	91942	JCBC M6X60(Bolt)	6
3	H00452A-01	91936	JCBC M6X25(Bolt)	4
4	H00317A-01	91971	Hex Lock Nut M6	2
5	H00336A-01	91967	Ring ID8 X OD16 X 2mm(Washer)	4
6	ODF-01.005A-01	91980	Plastic Cap Dia. 8mm-Black	4
7	ODF-04.001A-01-XX	NA	Outdoor Furniture Monterey Patio Chair Alum Armrest Assy	1(Pack of 2)
8	H00451A-01	91949	JCBC M8X60	8
9	H00336A-01	91967	Ring ID8 X OD16 X 2mm(Washer)	8
10	ODF-04.002A-01-XX	NA	Outdoor Furniture Monterey Patio Chair Alum Backrest Assy	1
11	ODF-01.006A-01	91986	SS Dowel Pin 50mm	1
12	ODF-01.004A-01-XX	NA	Outdoor Furniture Monterey Patio Chair Alum-Teak Leg Assy	1(Pack of 2)
13	H00333A-01	91958	Adjuster Shoe M6X5mm	4
14	ODF-52A-01-XX	NA	Outdoor Furniture Patio Chair Seat Cushion	1
15	ODF-49A-01-XX	NA	Outdoor Furniture Patio Chair Back Cushion	1
16	ODF-58A-01-XX	NA	Outdoor Furniture Patio Chair Accent Cushion	1

Spare Parts - Multi Seater



Stainless Steel - Teak Sofa

Item No.	Part No.	Spare Part SKU #	Description	BOM QTY
1	ODF-08.001A-01-XX	NA	Outdoor Furniture Monterey Patio Chair SS-Teak Seat Assy	2
2	H00287A-01	91942	JCBC M6X60(Bolt)	12
3	H00452A-01	91936	JCBC M6X25(Bolt)	8
4	H00317A-01	91971	Hex Lock Nut M6	4
5	H00336A-01	91967	Ring ID8 X OD16 X 2mm(Washer)	8
6	H00381A-01	91981	Plastic Cap Dia. 8mm	8
7	ODF-01.002A-01	NA	Outdoor Furniture Monterey Patio Chair Teak Armrest Assy	1(Pack of 2)
8	H00451A-01	91949	JCBC M8X60(Bolt)	10
9	H00336A-01	91967	Ring ID8 X OD16 X 2mm(Washer)	10
10	ODF-01.003A-01	NA	Outdoor Furniture Monterey Patio Chair Teak Backrest Assy	2
11	ODF-01.006A-01	91986	SS Dowel Pin 50mm	2
12	ODF-08.002A-01-XX	NA	Outdoor Furniture Monterey Patio Chair SS-Teak Leg Assy	1(Pack of 3)
13	H00333A-01	91958	Adjuster Shoe M6X5mm	6
14	ODF-52A-01-XX	NA	Outdoor Furniture Patio Chair Seat Cushion	2
15	ODF-49A-01-XX	NA	Outdoor Furniture Patio Chair Back Cushion	2
16	ODF-58A-01-XX	NA	Outdoor Furniture Patio Chair Accent Cushion	2

Spare Parts - Multi Seater

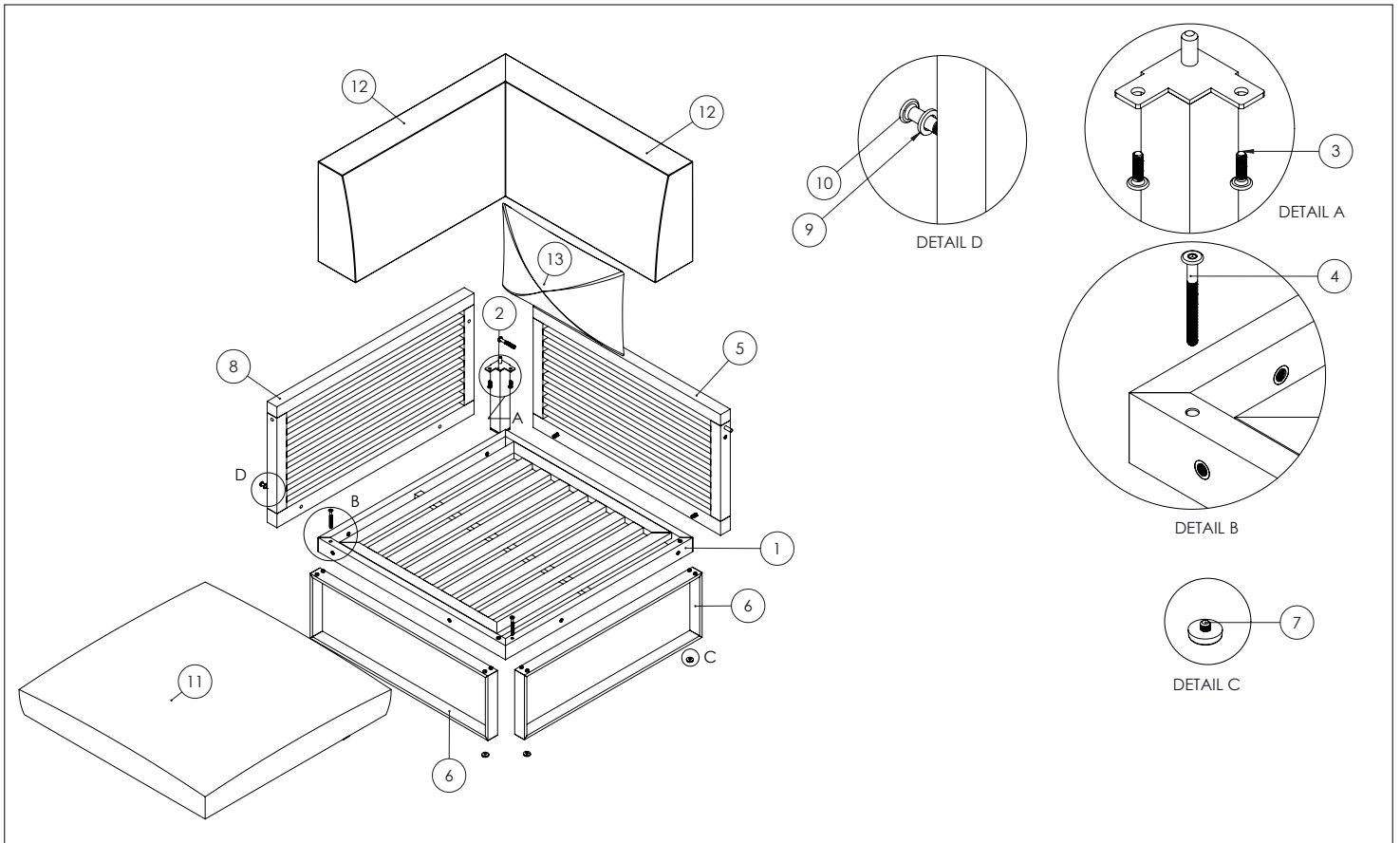
Aluminium - Teak Sofa

Item No.	Part No.	Spare Part SKU #	Description	BOM QTY
1	ODF-01.001A-01-XX	NA	Outdoor Furniture Monterey Patio Chair Alum-Teak Seat Assy	2
2	H00287A-01	91942	JCBC M6X60(Bolt)	12
3	H00452A-01	91936	JCBC M6X25(Bolt)	8
4	H00317A-01	91971	Hex Lock Nut M6	4
5	H00336A-01	91967	Ring ID8 X OD16 X 2mm(Washer)	8
6	ODF-01.005A-01	91980	Plastic Cap Dia. 8mm-Black	8
7	ODF-01.002A-01	NA	Outdoor Furniture Monterey Patio Chair Teak Armrest Assy	1(Pack of 2)
8	H00451A-01	91949	JCBC M8X60	10
9	H00336A-01	91967	Ring ID8 X OD16 X 2mm(Washer)	10
10	ODF-01.003A-01	NA	Outdoor Furniture Monterey Patio Chair Teak Backrest Assy	2
11	ODF-01.006A-01	91986	SS Dowel Pin 50mm	2
12	ODF-01.004A-01-XX	NA	Outdoor Furniture Monterey Patio Chair Alum-Teak Leg Assy	1(Pack of 3)
13	H00333A-01	91958	Adjuster Shoe M6X5mm	6
14	ODF-52A-01-XX	NA	Outdoor Furniture Patio Chair Seat Cushion	2
15	ODF-49A-01-XX	NA	Outdoor Furniture Patio Chair Back Cushion	2
16	ODF-58A-01-XX	NA	Outdoor Furniture Patio Chair Accent Cushion	2

Aluminium Sofa

Item No.	Part No.	Spare Part SKU #	Description	BOM QTY
1	ODF-01.001A-01-XX	NA	Outdoor Furniture Monterey Patio Chair Alum-Teak Seat Assy	2
2	H00287A-01	91942	JCBC M6X60(Bolt)	12
3	H00452A-01	91936	JCBC M6X25(Bolt)	8
4	H00317A-01	91971	Hex Lock Nut M6	4
5	H00336A-01	91967	Ring ID8 X OD16 X 2mm(Washer)	8
6	ODF-01.005A-01	91980	Plastic Cap Dia. 8mm-Black	8
7	ODF-04.001A-01-XX	NA	Outdoor Furniture Monterey Patio Chair Alum Armrest Assy	1(Pack of 2)
8	H00451A-01	91949	JCBC M8X60	10
9	H00336A-01	91967	Ring ID8 X OD16 X 2mm(Washer)	10
10	ODF-04.002A-01-XX	NA	Outdoor Furniture Monterey Patio Chair Alum Backrest Assy	2
11	ODF-01.006A-01	91986	SS Dowel Pin 50mm	2
12	ODF-01.004A-01-XX	NA	Outdoor Furniture Monterey Patio Chair Alum-Teak Leg Assy	1(Pack of 3)
13	H00333A-01	91958	Adjuster Shoe M6X5mm	6
14	ODF-52A-01-XX	NA	Outdoor Furniture Patio Chair Seat Cushion	2
15	ODF-49A-01-XX	NA	Outdoor Furniture Patio Chair Back Cushion	2
16	ODF-58A-01-XX	NA	Outdoor Furniture Patio Chair Accent Cushion	2

Spare Parts - Corner Sofa



Stainless Steel - Teak Corner Sofa

Item No.	Part No.	Spare Part SKU #	Description	BOM QTY
1	ODF-33.001A-01-XX	NA	Outdoor Furniture Monterey Patio Chair Corner SS-Teak Seat Assy	1
2	ODF-33.002A-01-XX	NA	Outdoor Furniture Monterey Patio Chair Corner SS-Teak Leg Assy	1
3	H00311A-01	91935	JCBC M6X20(Bolt)	2
4	H00287A-01	91942	JCBC M6X60(Bolt)	6
5	ODF-01.003A-01	NA	Outdoor Furniture Monterey Patio Chair Teak Backrest Assy	1
6	ODF-01.006A-01	91986	SS Dowel Pin 50mm	1
7	H00451A-01	91949	JCBC M8X60(Bolt)	5
8	H00453A-01	91968	Ring ID8 X OD16 X 2mm(Washer)	13
9	ODF-08.002A-01-XX	NA	Outdoor Furniture Monterey Patio Chair SS-Teak Leg Assy	1(Pack of2)
10	ODF-03.002A-01	NA	Outdoor Furniture Monterey Patio Chair Corner Teak Backrest Assy	1
11	ODF-52A-01-XX	NA	Outdoor Furniture Patio Chair Seat Cushion	1
12	ODF-50A-01-XX	NA	Outdoor Furniture Monterey Patio Chair Corner Back Cushion	1
13	ODF-58A-01-XX	NA	Outdoor Furniture Patio Chair Accent Cushion	1
14	H00381A-01	91981	Plastic Cap Dia. 8mm	4
15	H00317A-01	91971	Hex Lock Nut M6	2

Spare Parts - Corner Sofa

Aluminium - Teak Sofa

Item No.	Part No.	Spare Part SKU #	Description	BOM QTY
1	ODF-03.001A-01-XX	NA	Outdoor Furniture Monterey Patio Chair Corner Alum-Teak Seat Assy	1
2	ODF-03.003A-01-XX	NA	Outdoor Furniture Monterey Patio Chair Corner Alum-Teak Leg Assy	1
3	H00311A-01	91935	JCBC M6X20(Bolt)	2
4	H00287A-01	91942	JCBC M6X60(Bolt)	6
5	ODF-01.003A-01	NA	Outdoor Furniture Monterey Patio Chair Teak Backrest Assy	1
6	ODF-01.006A-01	91986	SS Dowel Pin 50mm	1
7	H00451A-01	91949	JCBC M8X60(Bolt)	5
8	H00453A-01	91968	Ring ID10 X OD16 X 2mm(Washer)	13
9	ODF-01.004A-01-XX	NA	Outdoor Furniture Monterey Patio Chair Alum-Teak Leg Assy	1(Pack of2)
10	ODF-03.002A-01	NA	Outdoor Furniture Monterey Patio Chair Corner Teak Backrest Assy	1
11	ODF-52A-01-XX	NA	Outdoor Furniture Patio Chair Seat Cushion	1
12	ODF-50A-01-XX	NA	Outdoor Furniture Monterey Patio Chair Corner Back Cushion	1
13	ODF-58A-01-XX	NA	Outdoor Furniture Patio Chair Accent Cushion	1
14	ODF-01.005A-01	91980	Plastic Cap Dia. 8mm-Black	4
15	H00317A-01	91971	Hex Lock Nut M6	2

Aluminium Sofa

Item No.	Part No.	Spare Part SKU #	Description	BOM QTY
1	ODF-03.001A-01-XX	NA	Outdoor Furniture Monterey Patio Chair Corner Alum-Teak Seat Assy	1
2	ODF-03.003A-01-XX	NA	Outdoor Furniture Monterey Patio Chair Corner Alum-Teak Leg Assy	1
3	H00311A-01	91935	JCBC M6X20(Bolt)	2
4	H00287A-01	91942	JCBC M6X60(Bolt)	6
5	ODF-04.002A-01-XX	NA	Outdoor Furniture Monterey Patio Chair Alum Backrest Assy	1
6	ODF-01.006A-01	91986	SS Dowel Pin 50mm	1
7	H00451A-01	91949	JCBC M8X60(Bolt)	5
8	H00453A-01	91968	Ring ID10 X OD16 X 2mm(Washer)	13
9	ODF-01.004A-01-XX	NA	Outdoor Furniture Monterey Patio Chair Alum-Teak Leg Assy	1(Pack of2)
10	ODF-05.001A-01-XX	NA	Outdoor Furniture Monterey Patio Chair Corner Alum Backrest Assy	1
11	ODF-52A-01-XX	NA	Outdoor Furniture Patio Chair Seat Cushion	1
12	ODF-50A-01-XX	NA	Outdoor Furniture Monterey Patio Chair Corner Back Cushion	1
13	ODF-58A-01-XX	NA	Outdoor Furniture Patio Chair Accent Cushion	1
14	ODF-01.005A-01	91980	Plastic Cap Dia. 8mm-Black	4
15	H00317A-01	91971	Hex Lock Nut M6	2

Cleaning and Care

Teak Parts

- Remove debris with a soft nylon bristled brush
 - Clean the surface using a sponge or damp cloth with water and mild soap.
 - Soak up any excess water with a microfiber or lint-free cloth
 - Allow the wood to dry naturally
 - To help prevent staining on teak components, NewAge recommends applying Golden Care's Teak Shield on our products. Follow the application instructions provided with Teak Shield.
- **Oiling teak parts regularly can help preserve its original golden brown appearance. Follow the below steps for oiling:**
 1. Place a cloth or newspaper beneath the teak parts to catch spills. Put on gloves to avoid getting oil on your hand, which may cause skin irritation.
 2. Clean the wooden parts with water and mild soap.
 3. Dry the wooden parts after cleaning and leave them for 24–36 hours to remove all moisture before applying the oil.
 4. Apply teak oil by using a paint brush or a piece of cloth.
 5. Wait fifteen minutes, then wipe down with a cloth.
 6. Reapply every 6 months.

Powder Coated Aluminum Parts

- Clean with water and a mild liquid detergent to remove any dirt or splashes.
- A microfibre cloth or sponge should be used to wipe over the surfaces of the furniture.
- Removing surface water with a drying cloth will help avoid water spots.
- Avoid using any abrasive cleaning agents or materials, as these could mark the surface of the powder coat.
- This material is scratchable, do not use steel wool or Scotchbrite on powder coated surfaces.

Stainless Steel Parts

- Wash regularly with clean fresh water, mild detergent and a micro fiber cloth.
 - After washing rinse with clean water and wipe the surface dry with your cloth remembering to go with the grain on brushed stainless steel.
 - Do not use abrasive cleaners or a scouring pad of any type as they will cause excessive wear and dull the finish.
 - We recommend using a multi-surface cleaner or stainless steel cleaner to remove spots.
- If you have oxidation there are a few steps to take to bring your stainless steel parts back to "as new" condition:**
- Apply clean water with a cleaning sponge and rub gently in the direction of the grain.
 - If the mark won't shift, it may be necessary to use a stainless steel cleaner, in which case apply the cleaner and rub gently.
 - After cleaning it is important to rinse the stainless steel with clean fresh water and buff with a soft cloth
 - Remember to always rub with the grain, NEVER across as you will ruin the finish, and the stainless can lose its shine. If you must use a scourer, use a plastic scrub pad with no metal content

NEWAGE PRODUCTS INC. OUTDOOR FURNITURE MANUFACTURER WARRANTY

PROOF OF PURCHASE IS REQUIRED TO OBTAIN WARRANTY SERVICE.

Please have the following information available when you call our customer service team:

- Name, address and telephone number
- Product Name / SKU Number
- A clear, detailed description of the problem
- Proof of purchase including order number

Register your NewAge Products purchase online for quicker customer assistance and access to exclusive benefits

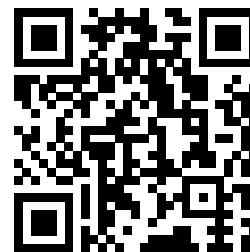
Visit www.newageproducts.com/register/

Warranty Claim

For warranty service please contact NewAge Products at **1-877-306-8930**; or support@newageproducts.com

Please review all warranty details below, prior to contacting NewAge Products for a claim.

Scan the QR code on the right to access our support page or visit www.newageproducts.com/contact-us/



Scan this QR code with the camera on your mobile device to visit the NewAge Products Support Hub

www.newageproducts.com/support-hub/

WHAT IS COVERED

When this product is installed, operated and maintained according to the instructions attached to or furnished with the product, NewAge Products Inc. will replace the defective product or parts if the part fails as a result of defective materials or workmanship for the warranty duration from the purchase date of the product.

WHAT IS NOT COVERED

1. Service calls to correct the installation of any NewAge products or to instruct you how to use or install them.
2. Damage resulting from products caused by accident, misuse, abuse, fire, flood, improper installation, acts of God, neglect, modification or mishandling.
3. Repairs or replacement when your product is used in other than normal, residential use, such as a commercial environment, or handled in anyway inconsistent with the installation instructions included with the product.
4. Sudden variations in temperature or exposure to unusual conditions.
5. Flattening or compression of cushions, swivel mechanisms.
6. Changes in wood color due to natural ageing and minor cracks on wood with time.
7. Variations in surface finishes due to UV exposure or natural ageing and surfaces damaged due to improper use of chemicals, and detergents.
8. Normal fading of fabrics, upholstery or woven materials.
9. Replacement parts for NewAge products outside Canada and the United States.
10. Loss due to theft.
11. Damage resulting from use of the product contrary and not in accordance to the instruction manual.
12. Any labor costs during the warranty period.

NEWAGE PRODUCTS INC. OUTDOOR FURNITURE MANUFACTURER WARRANTY

ONE YEAR LIMITED WARRANTY

WOVEN FRAMES (FLAT ROPE AND WICKER)

NewAge warranty covers Flat rope and Wicker woven on the frames for 1 YEAR. If the hand-woven resin weave breaks or structurally deteriorates, or if the weave excessively fades or becomes discolored within One year from the date of purchase, we will at our option, replace, repair or refinish the product in the original color and style, if available, or in a similar color and style if the original has been discontinued. **THE WEAVE WILL NOT BE WARRANTIED IF DETERIORATION, DISCOLORATION, FADING, ETC. IS DUE TO CHEMICALS, CLEANING PRODUCTS OTHER THAN SPECIFIED, SUN LOTIONS ET AL, USE IN COMMERCIAL SETTINGS, EXTREME HEAT OR SUNLIGHT.**

CUSHIONS AND FABRIC

NewAge warranty covers all cushions and fabrics for 1 YEAR. If your cushion or fabric becomes unserviceable due to color or strength loss from normal usage and exposure conditions, including sunlight, mildew and atmospheric chemicals within 1 year of the date of purchase, NewAge will repair or replace the fabric in the original color and pattern if available, or in a similar color and pattern if the original has been discontinued. Any failures in stitching, cushion foam, Umbrella frame/pole or other areas of workmanship will be warrantied for 1 YEAR. **THIS WARRANTY DOES NOT COVER NORMAL CARE AND CLEANING, DAMAGE FROM MISUSE OR ABUSE, IMPROPER INSTALLATION, OR COSTS ASSOCIATED WITH REPLACEMENT OF THE FABRIC, INCLUDING LABOR AND INSTALLATION. THE FABRIC WILL NOT BE WARRANTIED IF DETERIORATION, DISCOLORATION, FADING, ETC. IS DUE TO CHEMICALS, CLEANING PRODUCTS, SUN LOTIONS ET AL, USE IN COMMERCIAL SETTINGS, EXTREME HEAT OR SUNLIGHT.**

THREE YEARS LIMITED WARRANTY

STAINLESS STEEL AND POWDER COATED ALUMINUM FRAMES

NewAge warranty covers Aluminum and Stainless Steel frames for 3 YEARS. If your NewAge frame fails structurally during the normal usage within three years, NewAge will repair or replace the Outdoor furniture frame at manufacturer's discretion (with same or similar product if discontinued). From time to time there may be minor variations in color and texture of finishes. **THIS WARRANTY SPECIFICALLY DOES NOT COVER SUCH MINOR VARIATIONS IN COLOR AND TEXTURE OF FINISHES.**

TEAK FRAMES

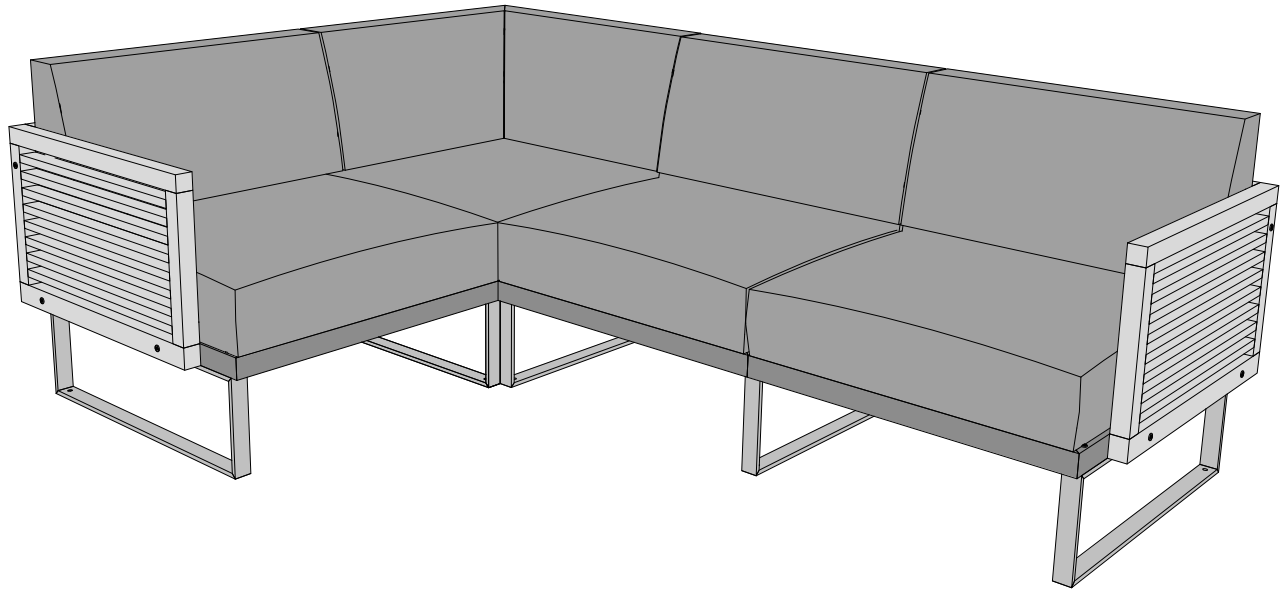
NewAge warranty covers teak furniture frames for 3 YEARS. If your NewAge frame fails structurally during the normal usage within 3 years, NewAge will repair or replace the Outdoor furniture frame at manufacturer's discretion (with same or similar product if discontinued). This warranty is valid only if the teak is maintained properly according to the instructions provided in the install guide. Natural variations occurring in wood shall not be considered. From time to time there may be variations in color and texture of finishes. **WARRANTY SPECIFICALLY DOES NOT COVER SUCH MINOR VARIATIONS IN COLOR AND TEXTURE OF FINISHES. COMPONENTS SUCH AS CHAIR FEET ARE SUBJECT TO WEAR AND TEAR AND ARE NOT CONSIDERED PART OF THE FRAME.**

DISCLAIMER OF IMPLIED WARRANTIES

IMPLIED WARRANTIES, INCLUDING TO THE EXTENT APPLICABLE WARRANTIES OF MERCHANTABILITY OR FITNESS FOR A PARTICULAR PURPOSE, ARE EXCLUDED TO THE EXTENT LEGALLY PERMISSIBLE. ANY IMPLIED WARRANTIES THAT MAY BE IMPOSED BY LAW ARE LIMITED TO ONE YEAR, OR THE SHORTEST PERIOD ALLOWED BY LAW. THIS WARRANTY IS LIMITED TO THE ORIGINAL BUYER. Some states and provinces do not allow limitations on the duration of implied warranties of merchantability or fitness, so this limitation may not apply to you. This warranty gives you specific legal rights, and you also may have other rights that vary from state to state or province to province.

LIMITATION OF REMEDIES; EXCLUSION OF INCIDENTAL AND CONSEQUENTIAL DAMAGES

YOUR SOLE AND EXCLUSIVE REMEDY UNDER THIS LIMITED WARRANTY SHALL BE PRODUCT REPAIR OR REPLACEMENT AT OUR DISCRETION AS PROVIDED HEREIN. NEWAGE SHALL NOT BE LIABLE FOR INCIDENTAL OR CONSEQUENTIAL DAMAGES. Some states and provinces do not allow the exclusion or limitation of incidental or consequential damages, so these limitations and exclusions may not apply to you. This warranty gives you specific legal rights, and you also may have other rights that vary from state to state or province to province.



Monterey - Sofa

Acier inoxydable-Teck / Aluminium-Teck / Aluminium

GUIDE D'INSTALLATION



ATTENTION:

Est votre sofa endommagée?
Avez vous besoin d'aide ou de pièces de rechange? Contactez
NewAge Products a 1-877-306-8930; ou
support@newageproducts.com.
Ne pas retourner au détaillant.

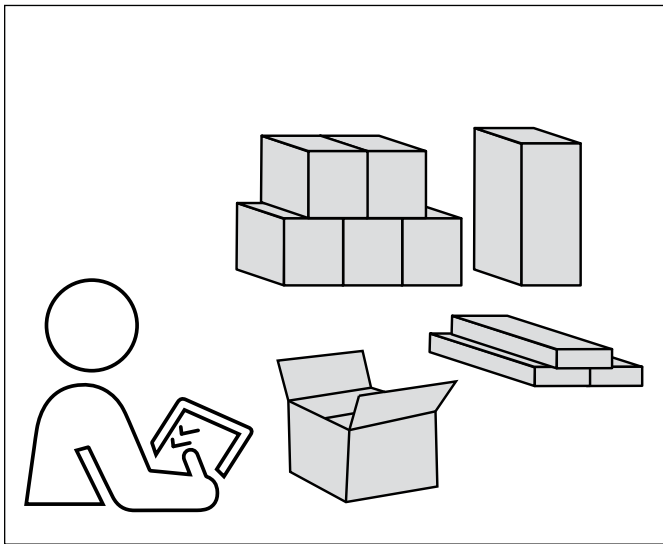
Index

Déballage	3
Inspection du produit	3
Outils requis	3
Collection Monterey-Sofa	4
Visserie	4
Composant pour les ensembles d'UGS	5
Exemples de disposition	7
Assemblage de siège unique	8
Assemblage de plusieurs sièges	12
Assemblage d'angle	19
Assemblage de l'ensemble d'angle	23
Pièces détachées - siège unique	26
Pièces détachées - Plusieurs sièges	28
Nettoyage et soins	32
NEWAGE PRODUCTS INC. GARANTIE DU FABRICANT DE MEUBLES D'EXTÉRIEUR	33

Déballage

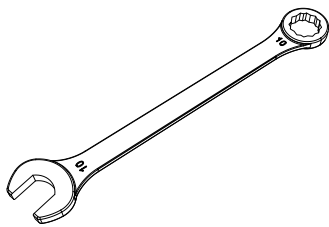
- Commencer par placer le paquet sur une surface plane couverte.
- Enlever les cartons, le matériel d'emballage en mousse et les sacs en plastique transparents.
- Jeter/recycler tous les matériaux d'emballage.
- Vérifier le contenu de la boîte et rassembler les outils requis. Voir « Pièces » et « Outils nécessaires »

Inspection du produit

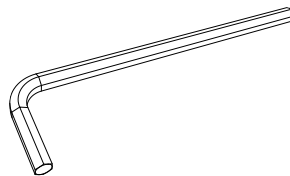


- Assurez-vous d'avoir reçu toutes les pièces conformément à la commande que vous avez passée.
- S'il manque des pièces, contactez NewAge Products au 1 877-306-8930.
- Avant de commencer l'installation, inspectez les produits pour y déceler tout dommage.
- Lisez attentivement les instructions d'installation avant de commencer l'installation.

Outils Requis

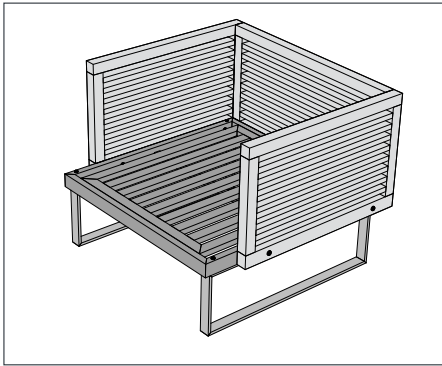


Clé à douille
(10mm)

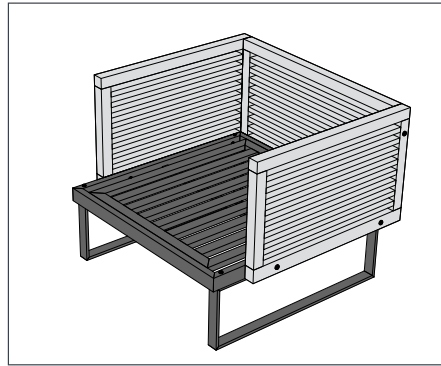


clé Allen
(4mm and 5mm)

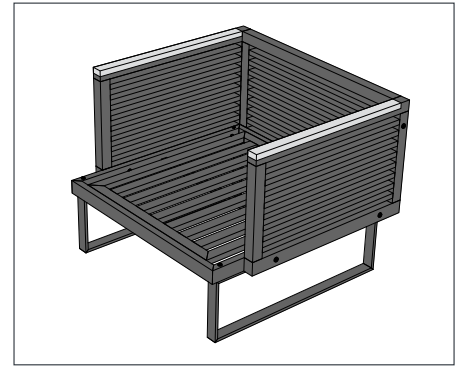
Collection Monterey-Sofa



Acier inoxydable - Sofa en teck



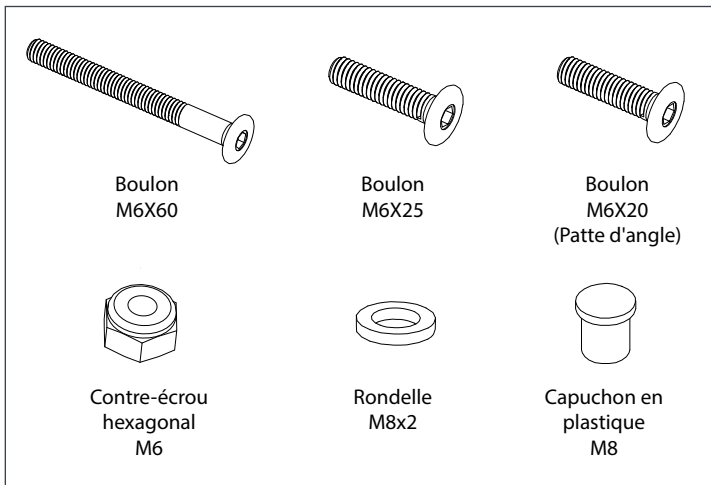
Aluminium - Sofa en teck



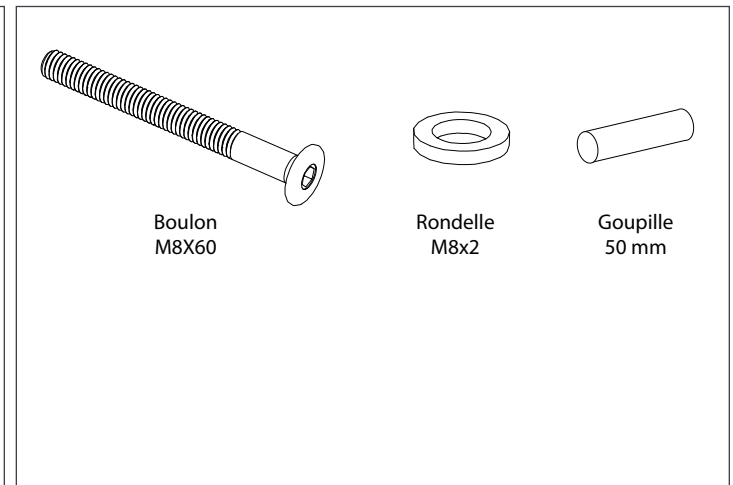
Canapé en aluminium

Visserie

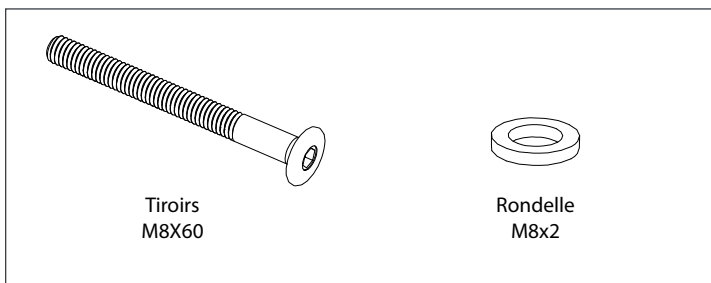
Assemblage des sièges de sofa



Assemblage du dossier

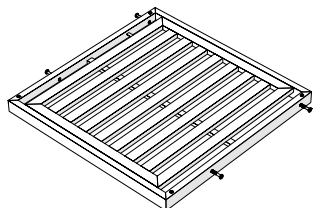


Assemblage de l'accoudoir



Composant pour les ensembles d'UGS

Ensemble de base du siège



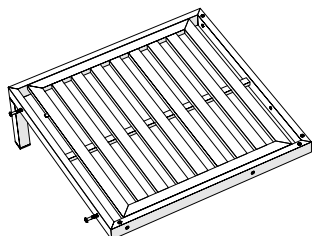
Acier inoxydable-Aluminium

Numéro d'article	Description	Quantité
1	Base du siège (acier inoxydable-aluminium)	1
2	Rondelle (M8x2)	4
3	Boulon M6x25	4
4	Boulon M6x60	6
5	Capuchon en plastique (8 mm)	4
6	Contre-écrou hexagonal M6	2

Aluminium

Numéro d'article	Description	Quantité
1	Base du siège (aluminium)	1
2	Rondelle (M8x2)	4
3	Boulon M6x25	4
4	Boulon M6x60	6
5	Capuchon en plastique (8 mm)	4
6	Contre-écrou hexagonal M6	2

Base de siège d'angle avec patte d'angle



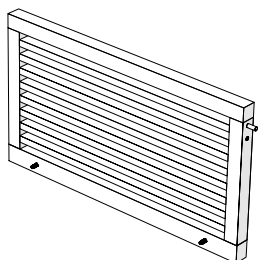
Acier inoxydable-Aluminium

Numéro d'article	Description	Quantité
1	Base du siège d'angle (acier inoxydable-Aluminium)	1
2	Rondelle (M8x2)	8
3	Boulon M6x20	2
4	Boulon M6x60	6
5	Capuchon en plastique (8 mm)	4
6	Patte d'angle	1
7	Contre-écrou hexagonal M6	2

Aluminium

Numéro d'article	Description	Quantité
1	Base de siège d'angle (aluminium)	1
2	Rondelle (M8x2)	8
3	Boulon M6x20	2
4	Boulon M6x60	6
5	Capuchon en plastique (8 mm)	4
6	Patte d'angle	1
7	Contre-écrou hexagonal M6	2

Ensemble de dossier



Teck

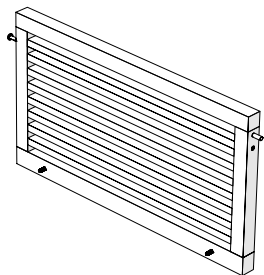
Numéro d'article	Description	Quantité
1	Dossier (Teck)	1
2	Rondelle (M8x2)	2
3	Boulon M8x60	2
4	Goupille de 50 mm	1

Aluminium

Numéro d'article	Description	Quantité
1	Dossier (aluminium)	1
2	Rondelle (M8x2)	2
3	Boulon M8x60	2
4	Goupille de 50 mm	1

Composant pour les ensembles d'UGS

Ensemble de dossier d'angle



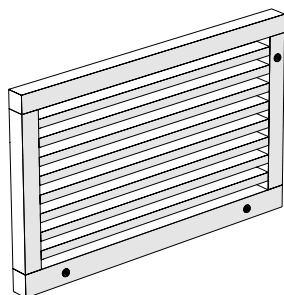
Teck

Numéro d'article	Description	Quantité
1	Dossier d'angle (Teck)	1
2	Rondelle (M8x2)	3
3	Boulon M8x60	3

Aluminium

Numéro d'article	Description	Quantité
1	Dossier d'angle (Aluminium)	1
2	Rondelle (M8x2)	3
3	Boulon M8x60	3

Ensemble d'accoudoir (Ensemble de 2)



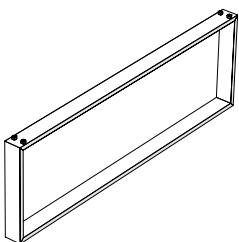
Teck

Numéro d'article	Description	Quantité
1	Accoudoir (Teck)	2
2	Rondelle (M8x2)	6
3	Boulon M8x60	6

Aluminium

Numéro d'article	Description	Quantité
1	Accoudoir (Aluminium)	2
2	Rondelle (M8x2)	6
3	Boulon M8x60	6

Ensemble de pattes



Acier inoxydable

ensemble de 2

Numéro d'article	Description	Quantité
1	Patte en acier inoxydable	2

Aluminium

ensemble de 2

Numéro d'article	Description	Quantité
1	Patte en aluminium	2

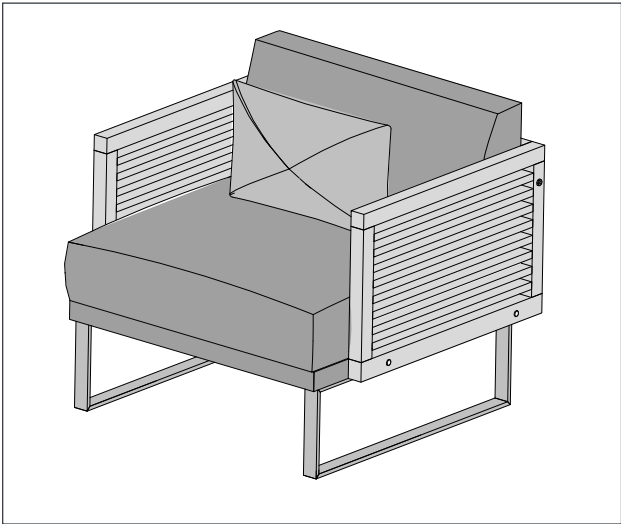
ensemble de 3

Numéro d'article	Description	Quantité
1	Patte en acier inoxydable	3

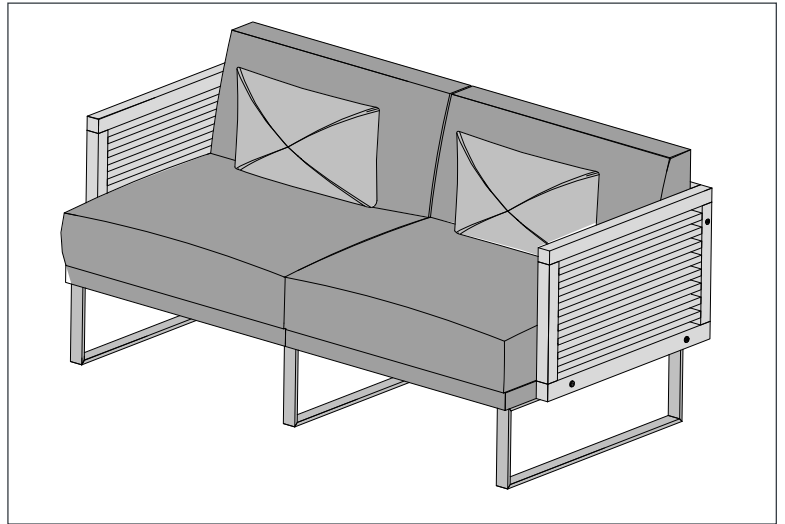
ensemble de 3

Numéro d'article	Description	Quantité
1	Patte en aluminium	3

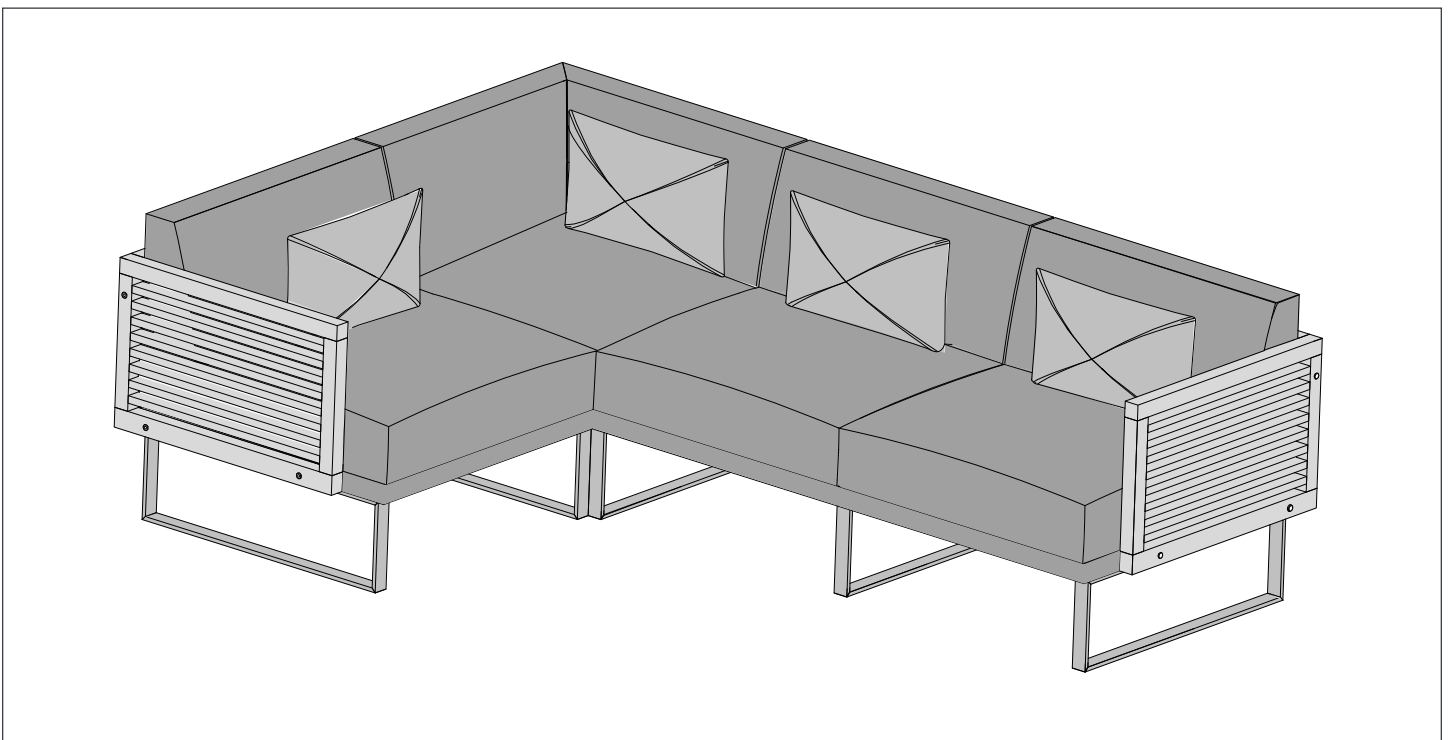
Exemples de disposition



Siège unique



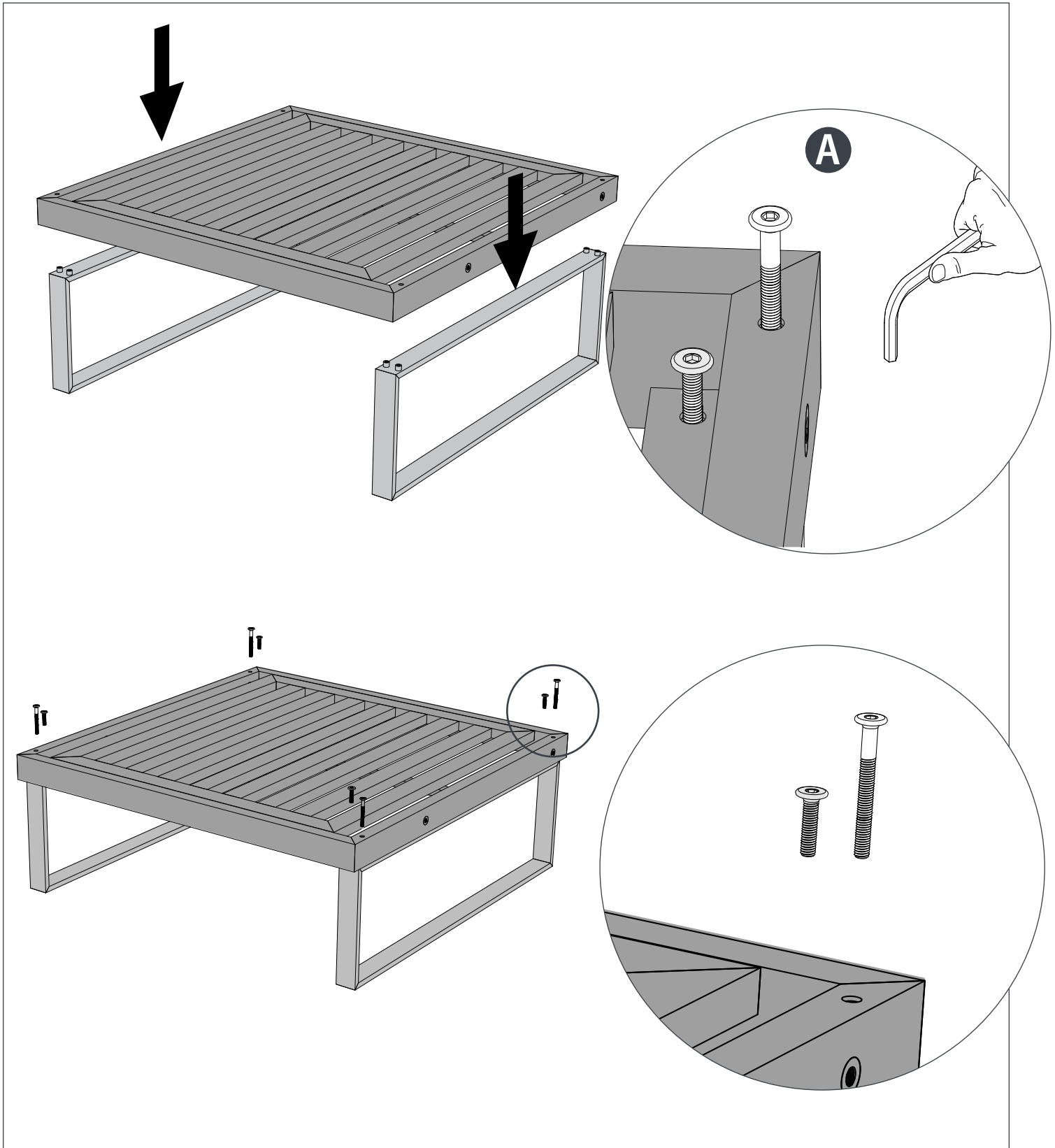
Disposition linéaire



Disposition en angle

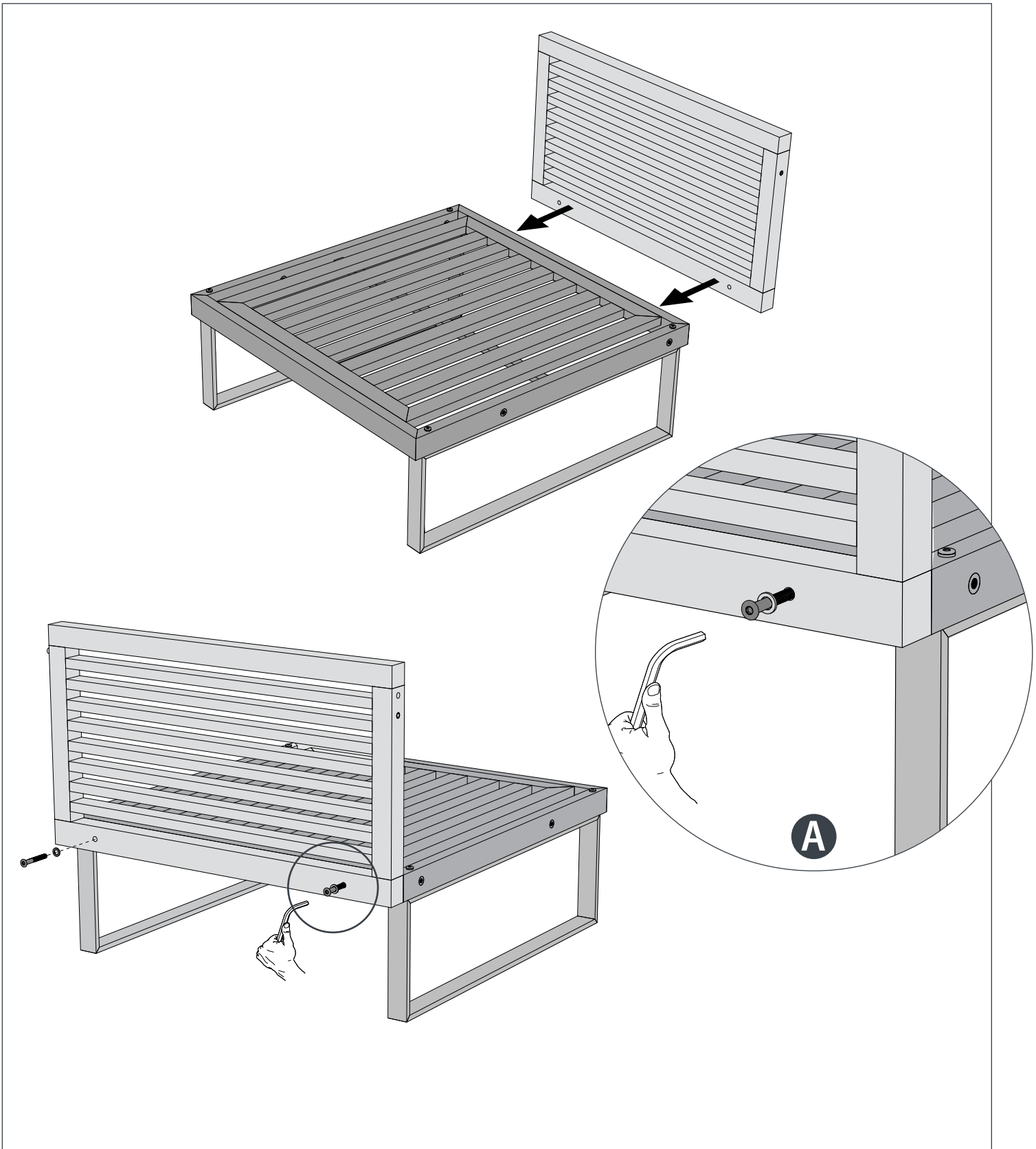
Assemblage de siège unique

- 1 Placez l'ensemble de la base du siège sur les deux pattes et serrez un boulon M6x60 et un boulon M6x25 à chaque coin de l'ensemble de pattes, comme indiqué (A) pour fixer les pattes à l'aide d'une clé hexagonale.



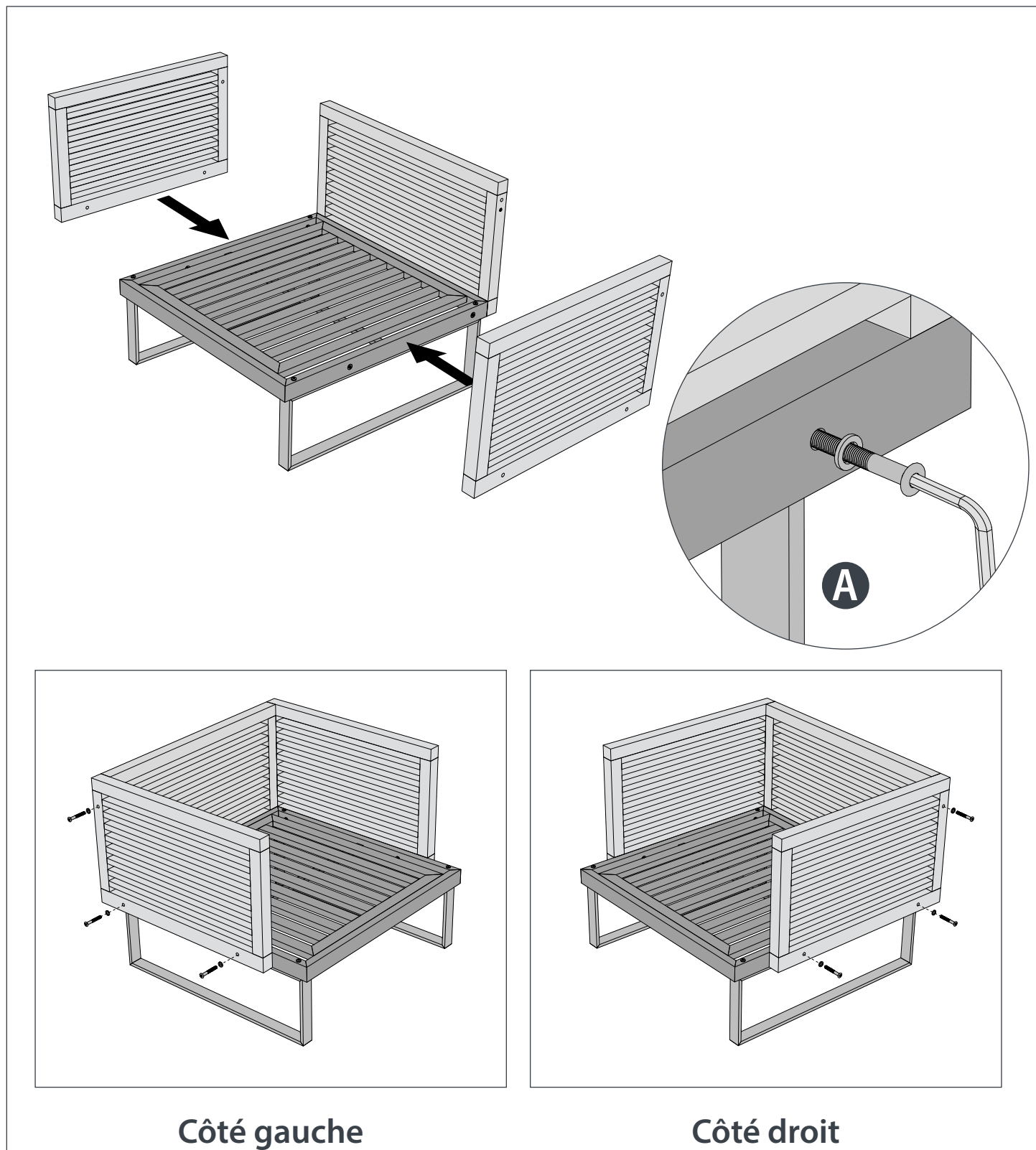
Assemblage de siège unique

- 2** Fixez le dossier à l'ensemble en utilisant deux boulons M8x60 mm, comme indiqué (A) avec une clé hexagonale. Ajoutez les rondelles M8 aux boulons.



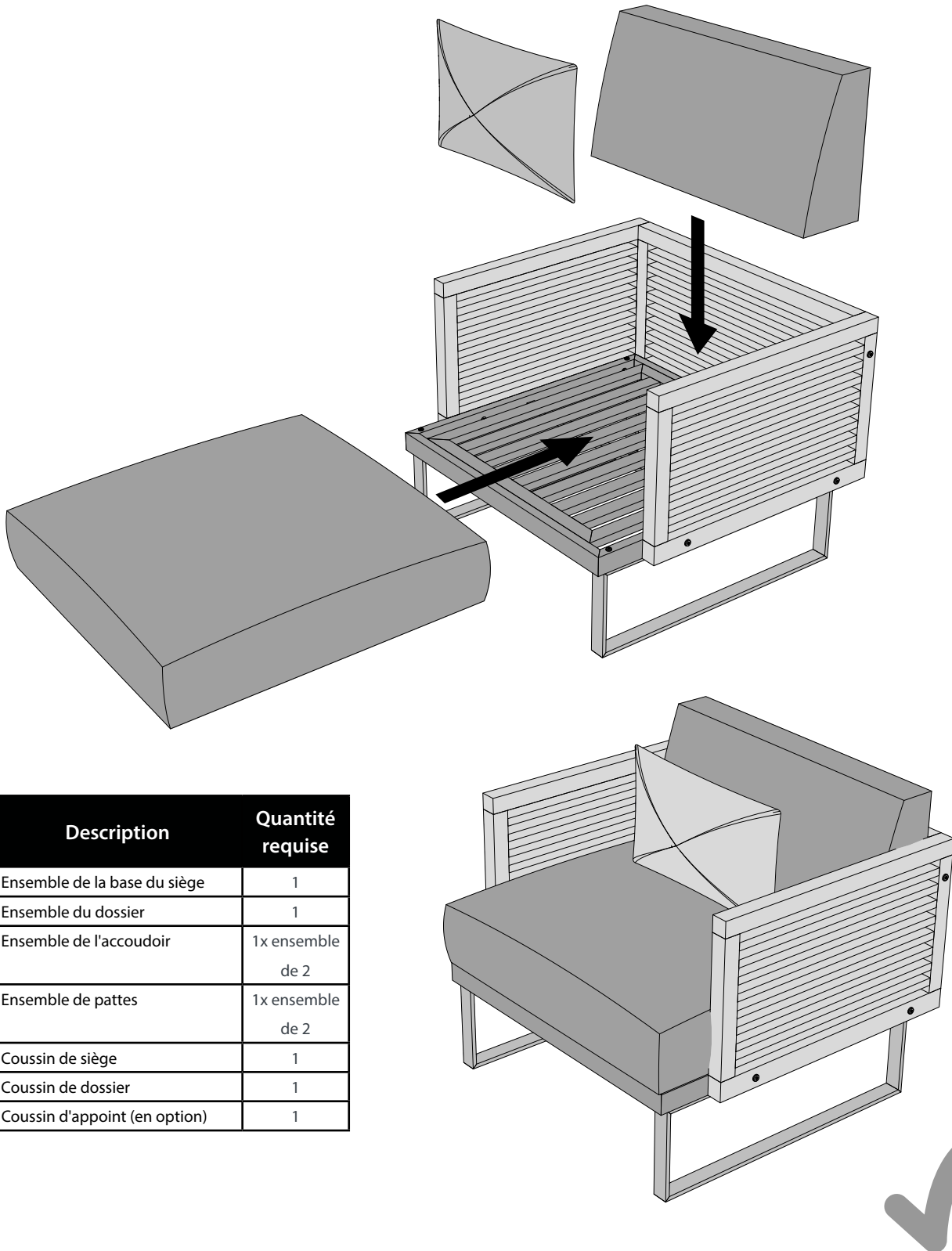
Assemblage de siège unique

- 3** Fixez les accoudoirs latéraux à l'ensemble à l'aide de trois boulons M8x60 mm de chaque côté.
Ajoutez la rondelle M8 pour tous les boulons. Utilisez une clé hexagonale pour serrer les boulons comme indiqué (A)



Assemblage de siège unique

- 4** Placez le coussin du siège, le coussin du dossier et le coussin décoratif (en option) sur l'ensemble de sofa.

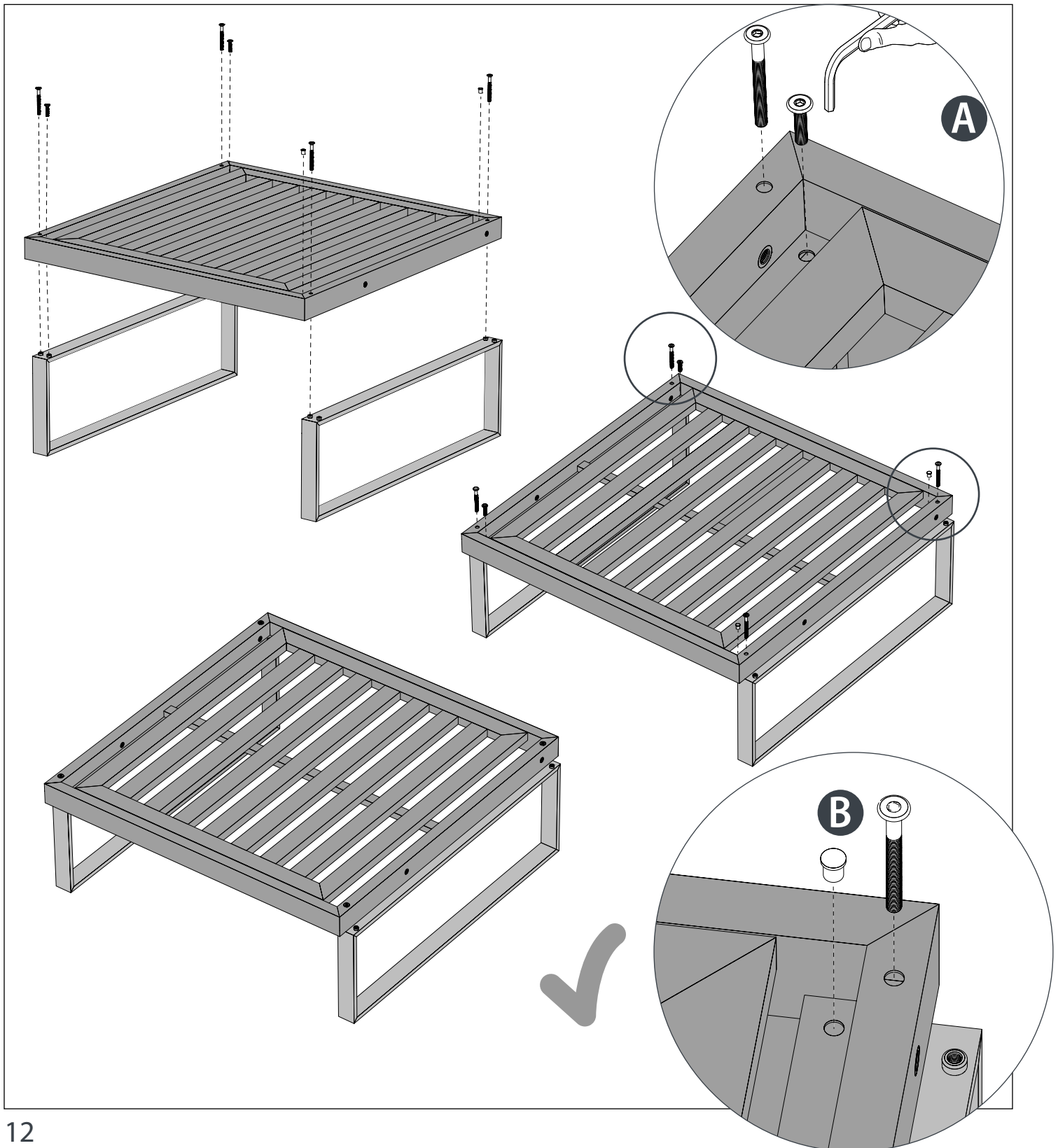


Numéro d'article	Description	Quantité requise
1	Ensemble de la base du siège	1
2	Ensemble du dossier	1
3	Ensemble de l'accoudoir	1x ensemble de 2
4	Ensemble de pattes	1x ensemble de 2
5	Coussin de siège	1
6	Coussin de dossier	1
7	Coussin d'appoint (en option)	1

Assemblage de plusieurs sièges

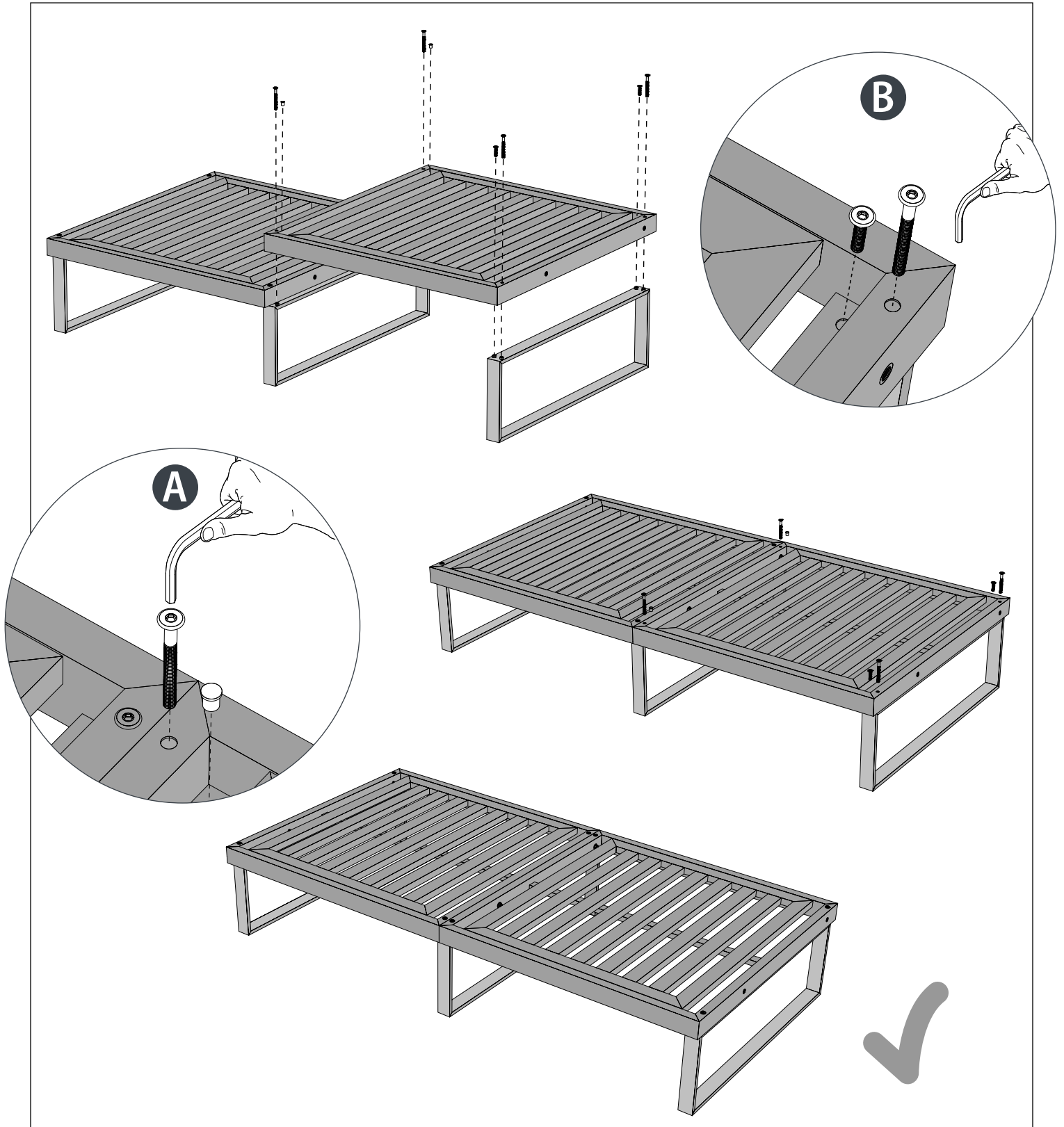
Placez l'ensemble de la base du siège comme celle du siège unique sur le dessus de la patte gauche. Assemblez la patte gauche en ajoutant deux boulons M6x60 et deux boulons (A) M6x25.

- 1** Placez maintenant la patte droite sur les trous extérieurs de la base du siège en ajoutant deux boulons M6x60, comme indiqué sur les illustrations. Ajoutez le capuchon en plastique sur les trous non utilisés de la base du siège (B).



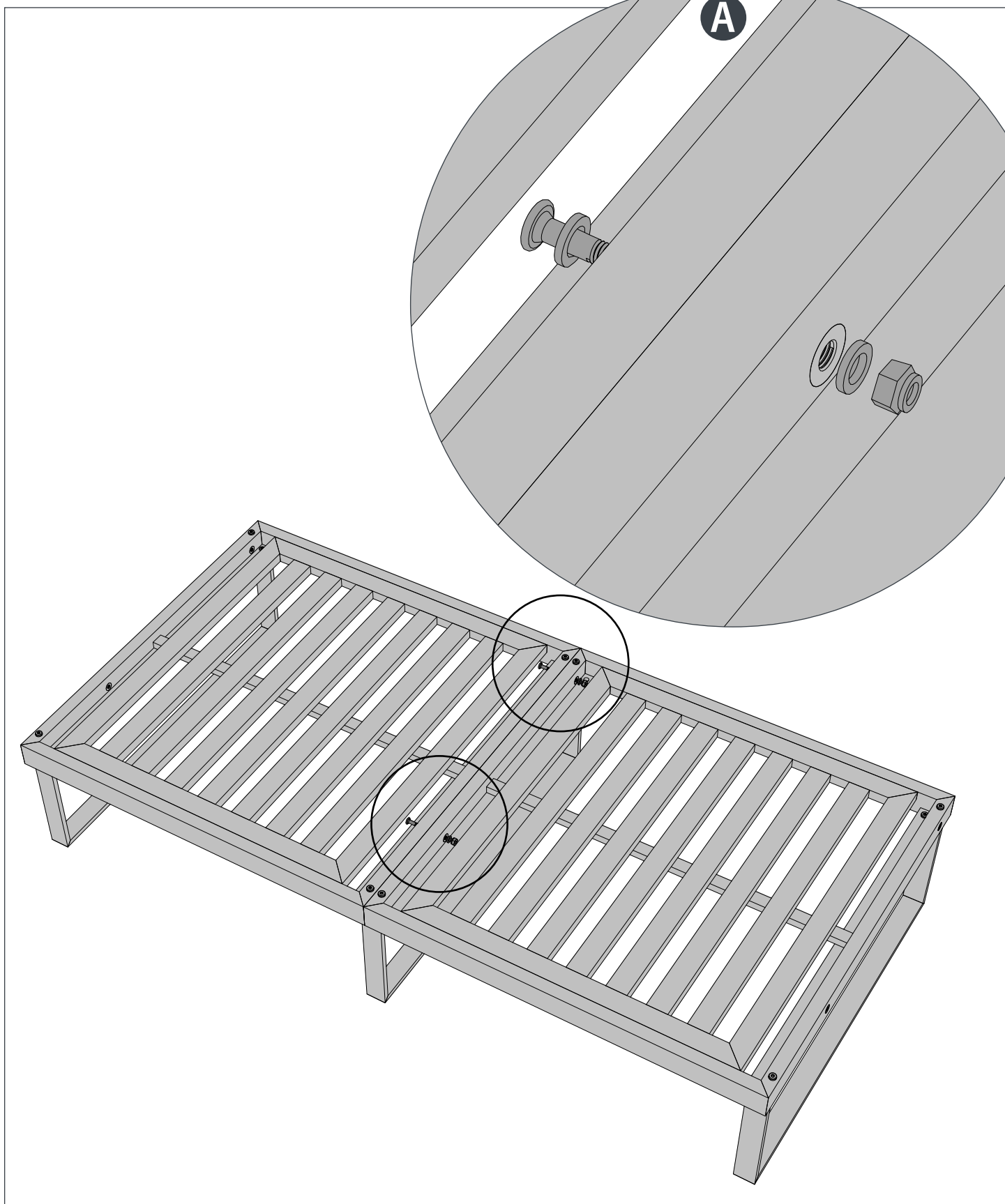
Assemblage de plusieurs sièges

- 2** Ajoutez maintenant une base de siège à la patte commune et serrez deux boulons M6x60 (A). Fixez ensuite la dernière patte au côté droit de l'ensemble en ajoutant pour chacun deux boulons M6x60 et deux boulons M6x25 à l'aide d'une clé hexagonale (B).



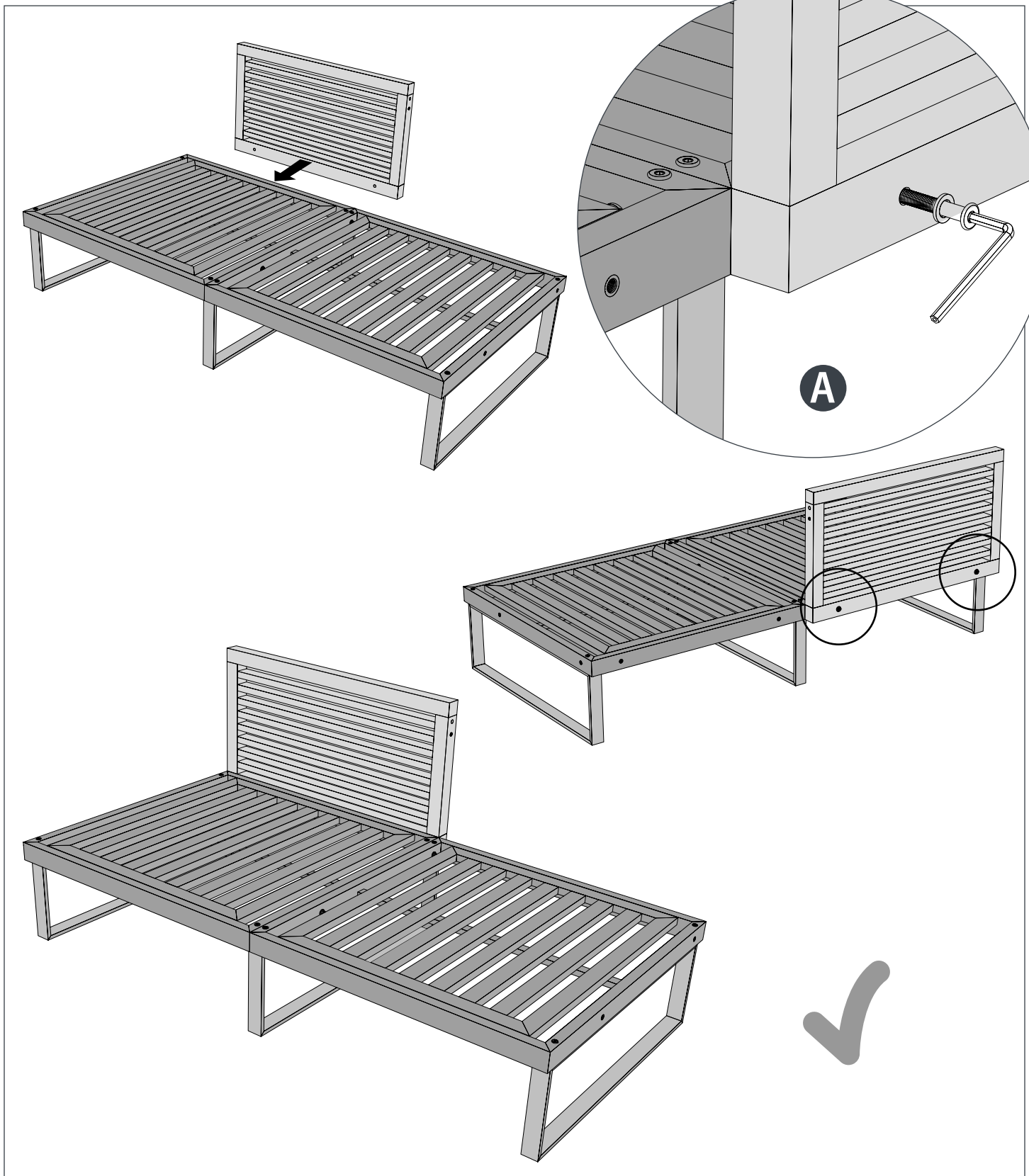
Assemblage de plusieurs sièges

- 3** Ajoutez deux boulons M6x60 pour raccorder les deux bases de siège et fixez-les avec une rondelle M8 et un écrou hexagonal M6; voir illustration (A)



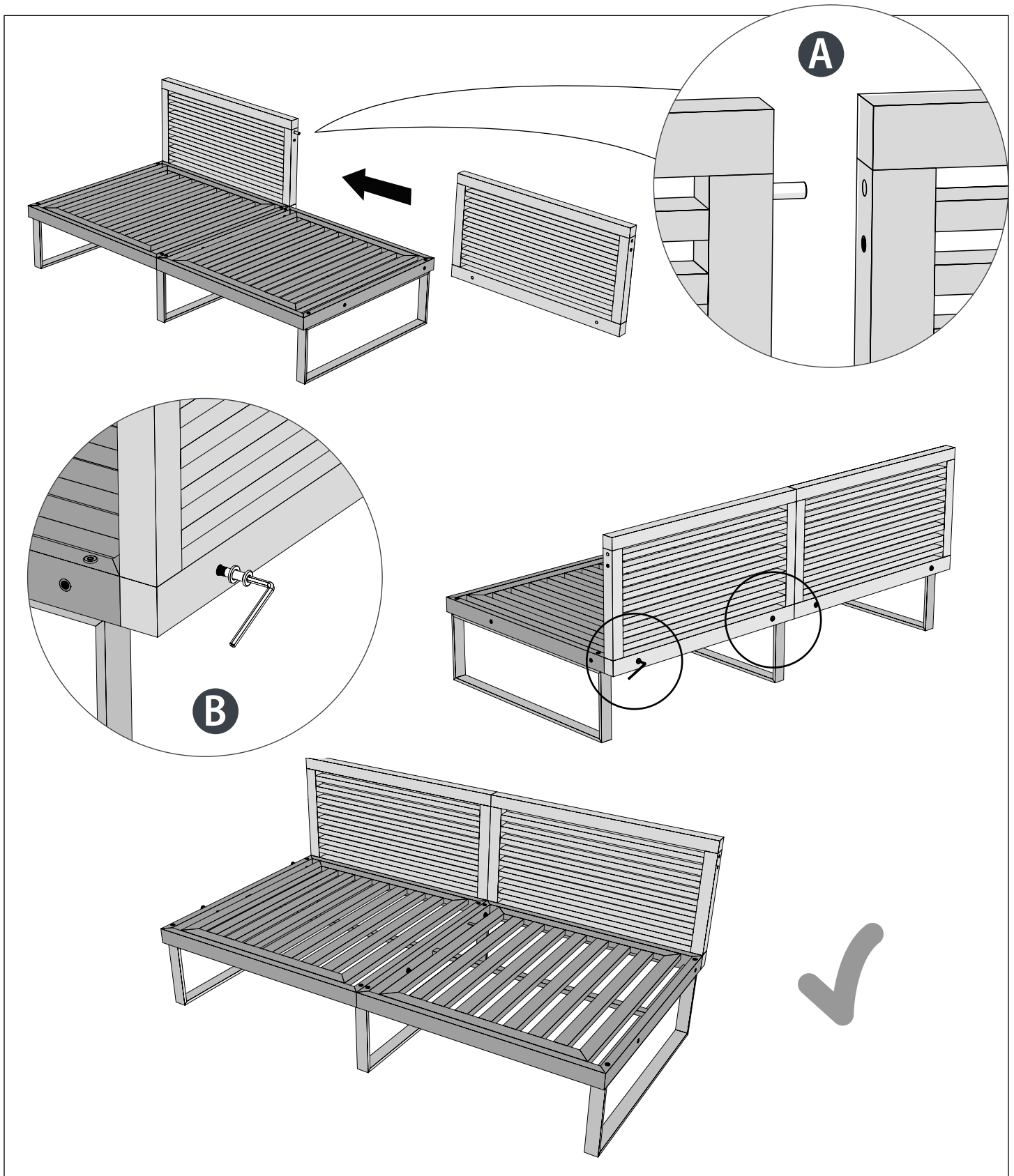
Assemblage de plusieurs sièges

- 4** Fixez le premier dossier à l'aide de deux boulons M8x60 et des rondelles M8 à l'aide d'une clé hexagonale (A).



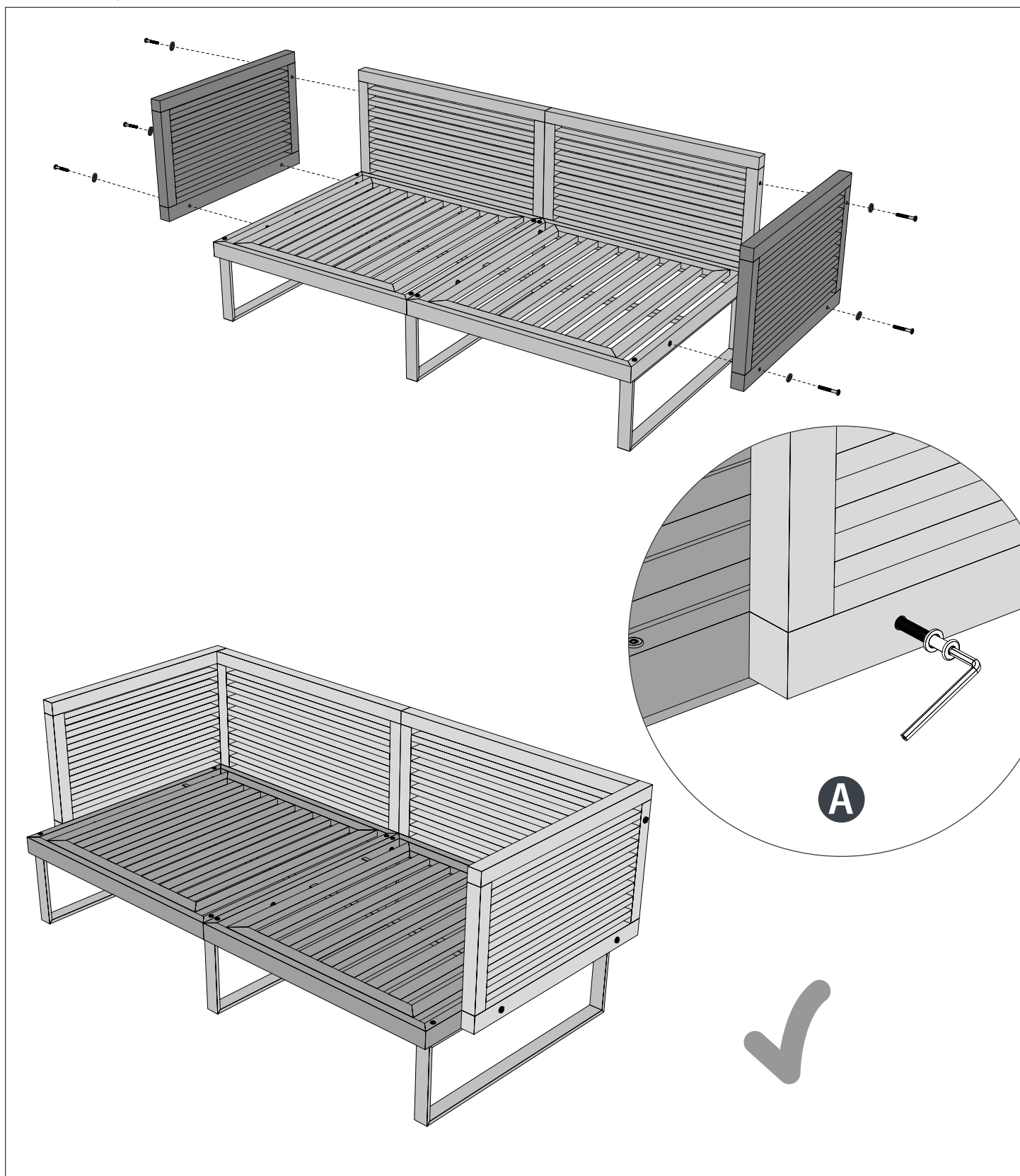
Assemblage de plusieurs sièges

- 5** Insérez le goujon de 50 mm (A) dans le premier dossier et faites glisser le deuxième dossier par le côté et ajoutez deux boulons M8x60 et des rondelles M8 à l'aide d'une clé hexagonale (B).



Assemblage de plusieurs sièges

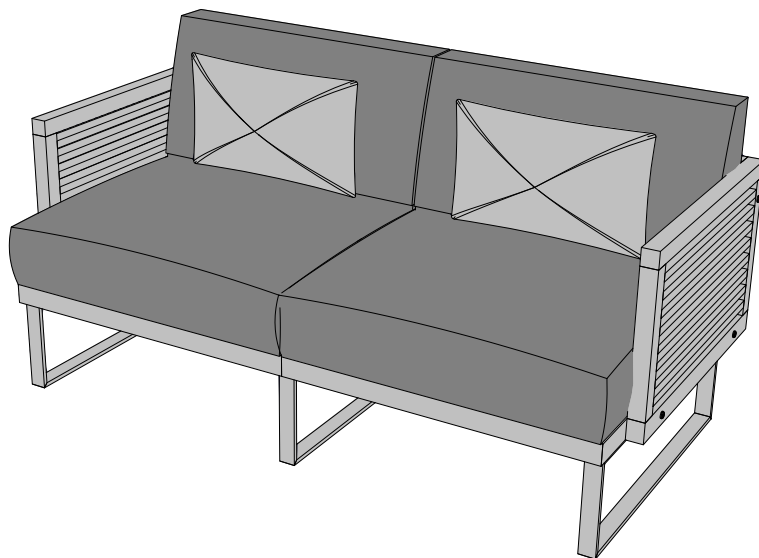
- 6** Fixez maintenant les deux accoudoirs à l'ensemble à l'aide de trois boulons M8x60 mm et de rondelles M8 de chaque côté, comme indiqué sur les illustrations, en utilisant une clé hexagonale (A).



Assemblage de plusieurs sièges

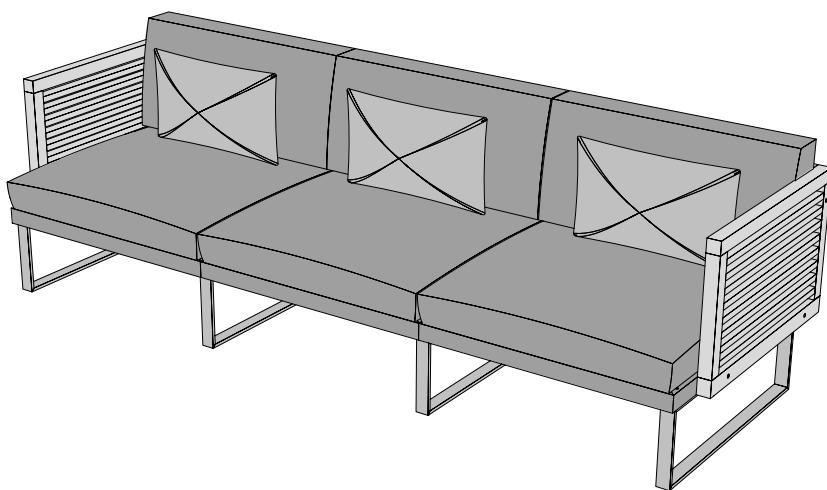
7 Placez les coussins de siège, les coussins de dossier et les coussins décoratifs (en option) sur l'ensemble de sofa.

Numéro d'article	Description	Quantité requise
1	Ensemble de la base du siège	2
2	Ensemble du dossier	2
3	Ensemble de l'accoudoir	1x ensemble de 2
4	Ensemble de pattes	1x ensemble de 3
5	Coussin de siège	2
6	Coussin de dossier	2
7	Coussin d'appoint (en option)	2



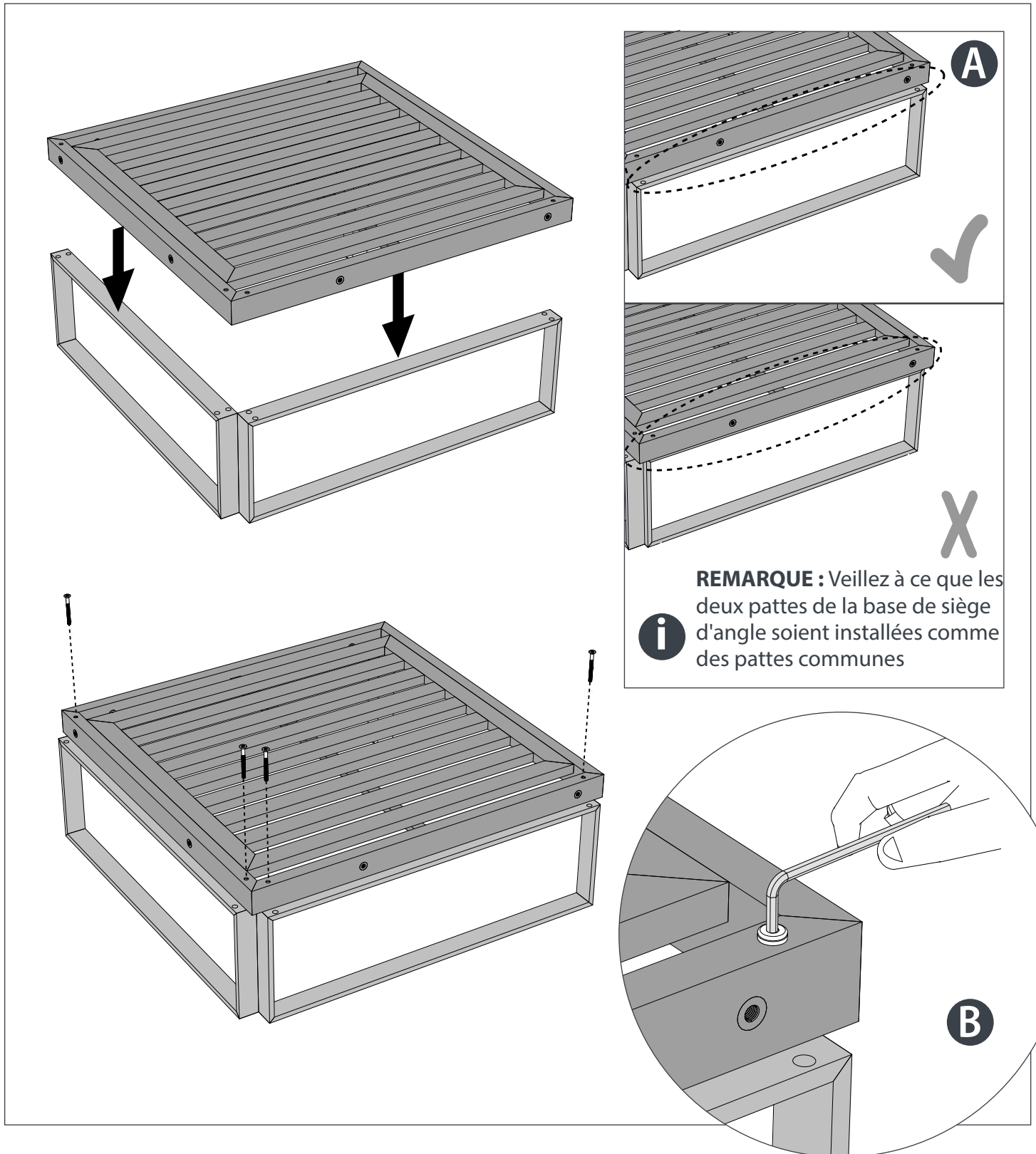
i De même, en ajoutant une autre base de siège et un dossier avec deux pattes communes, on peut installer un siège à trois places.

Numéro d'article	Description	Quantité requise
1	Ensemble de la base du siège	3
2	Ensemble du dossier	3
3	Ensemble de l'accoudoir	1x ensemble de 2
4	Ensemble de pattes	2x ensemble de 2
5	Coussin de siège	3
6	Coussin de dossier	3
7	Coussin d'appoint (en option)	3



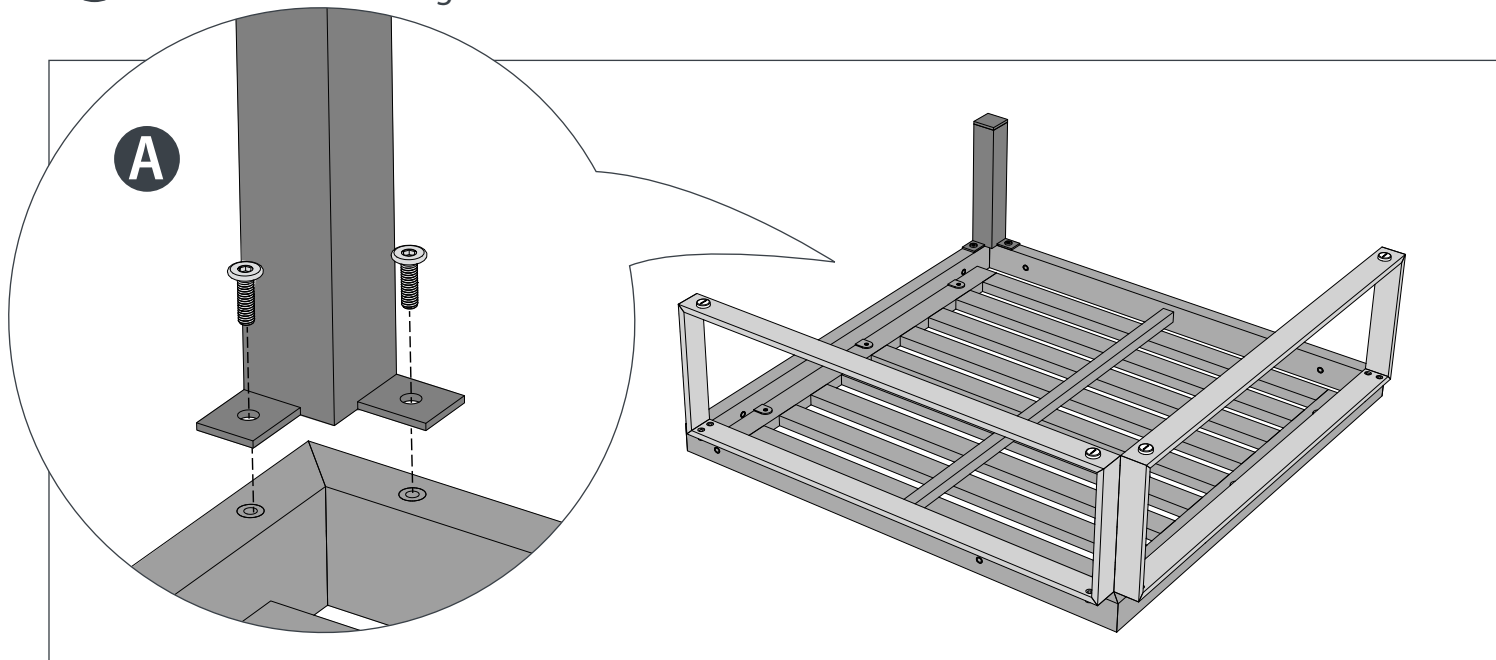
Assemblage d'angle

- 1** Placez la base de siège d'angle sur le dessus des deux pattes et serrez quatre boulons M6x60 mm pour fixer les pattes à l'aide d'une clé hexagonale, comme indiqué sur l'image. Assurez-vous de l'emplacement du serrage des boulons, comme indiqué (A)



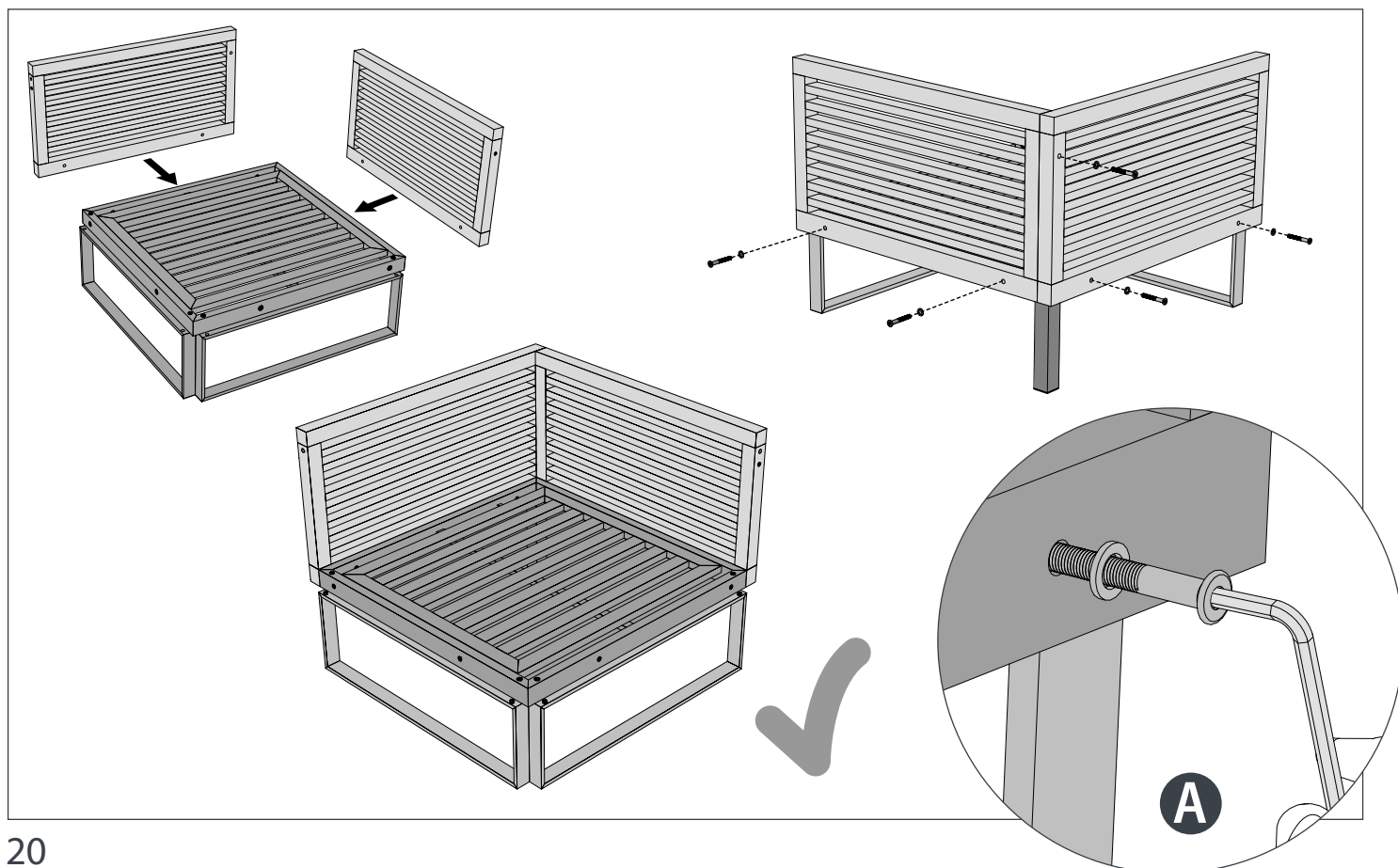
Assemblage d'angle

- 2** Retournez l'ensemble et installez la patte d'angle à l'aide de deux boulons M6x20 mm (A) à l'aide d'une clé hexagonale.



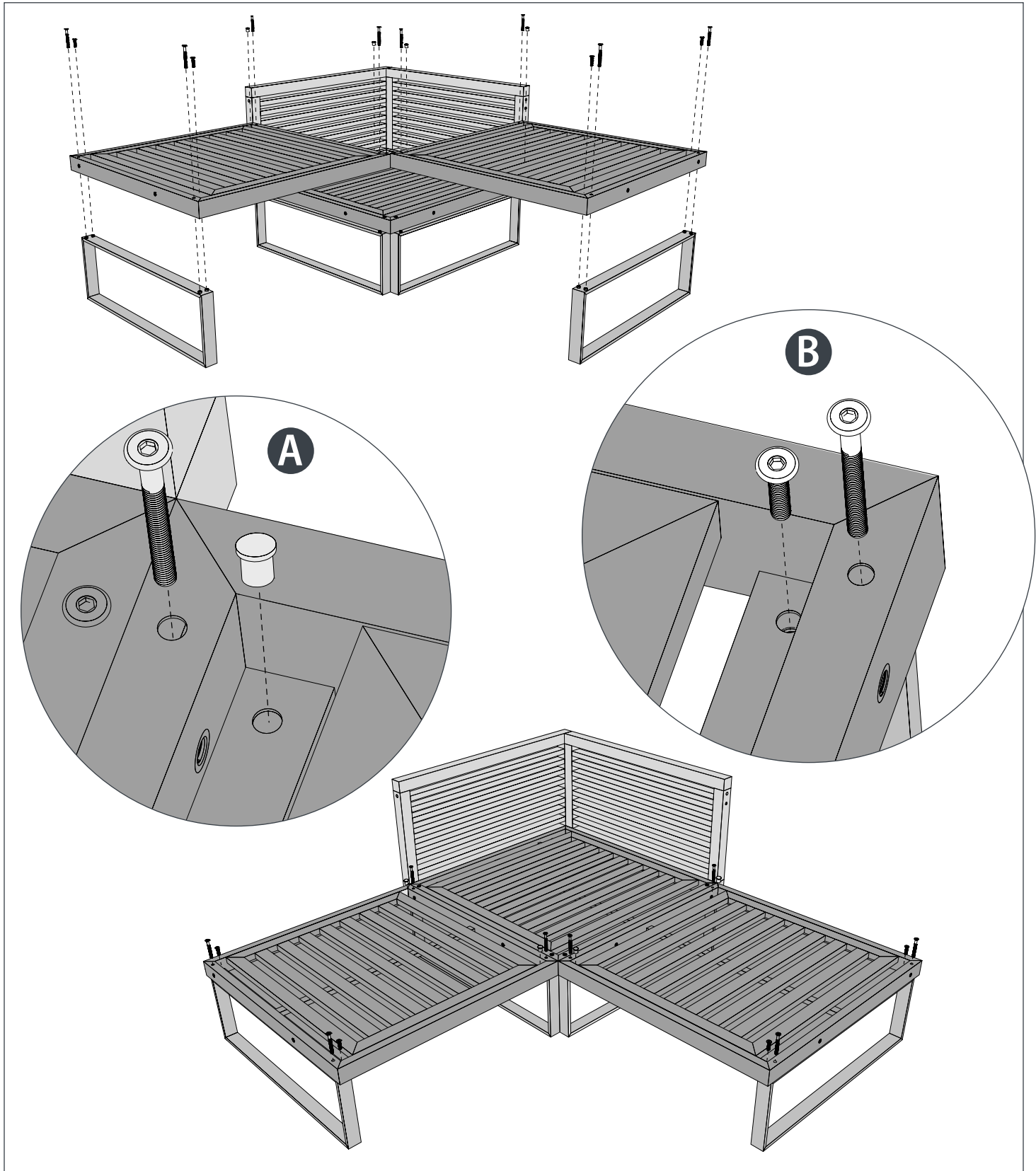
- 3** Fixez les bras latéraux à l'ensemble à l'aide de cinq boulons M8x60 mm et de rondelles M8, comme indiqué sur l'image ci-dessous. Serrez les boulons à l'aide d'une clé hexagonale (A).

i **REMARQUE** : Pour l'ensemble d'angle, le dossier normal est utilisé avec un accoudoir d'angle à gauche qui est seulement pour l'ensemble de sofa d'angle.



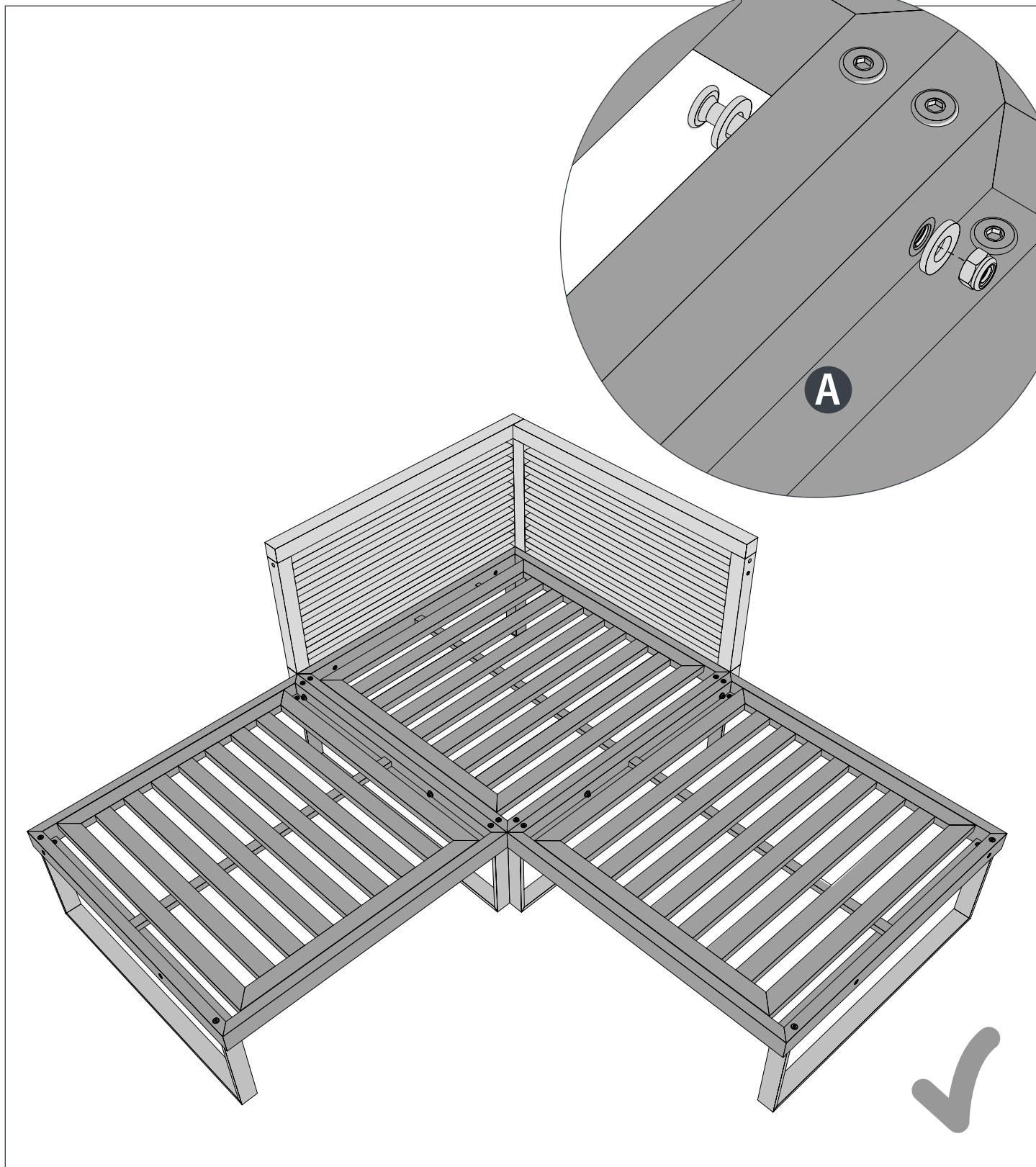
Assemblage de l'ensemble d'angle

- 4** Fixez maintenant deux bases de siège de chaque côté du sofa d'angle avec deux boulons M6X60 mm sur la patte commune (A). Fixez ensuite les deux pattes extérieures à l'ensemble en ajoutant deux boulons M6x60 mm et deux boulons M6x25 mm de chaque côté avec une clé hexagonale (B).



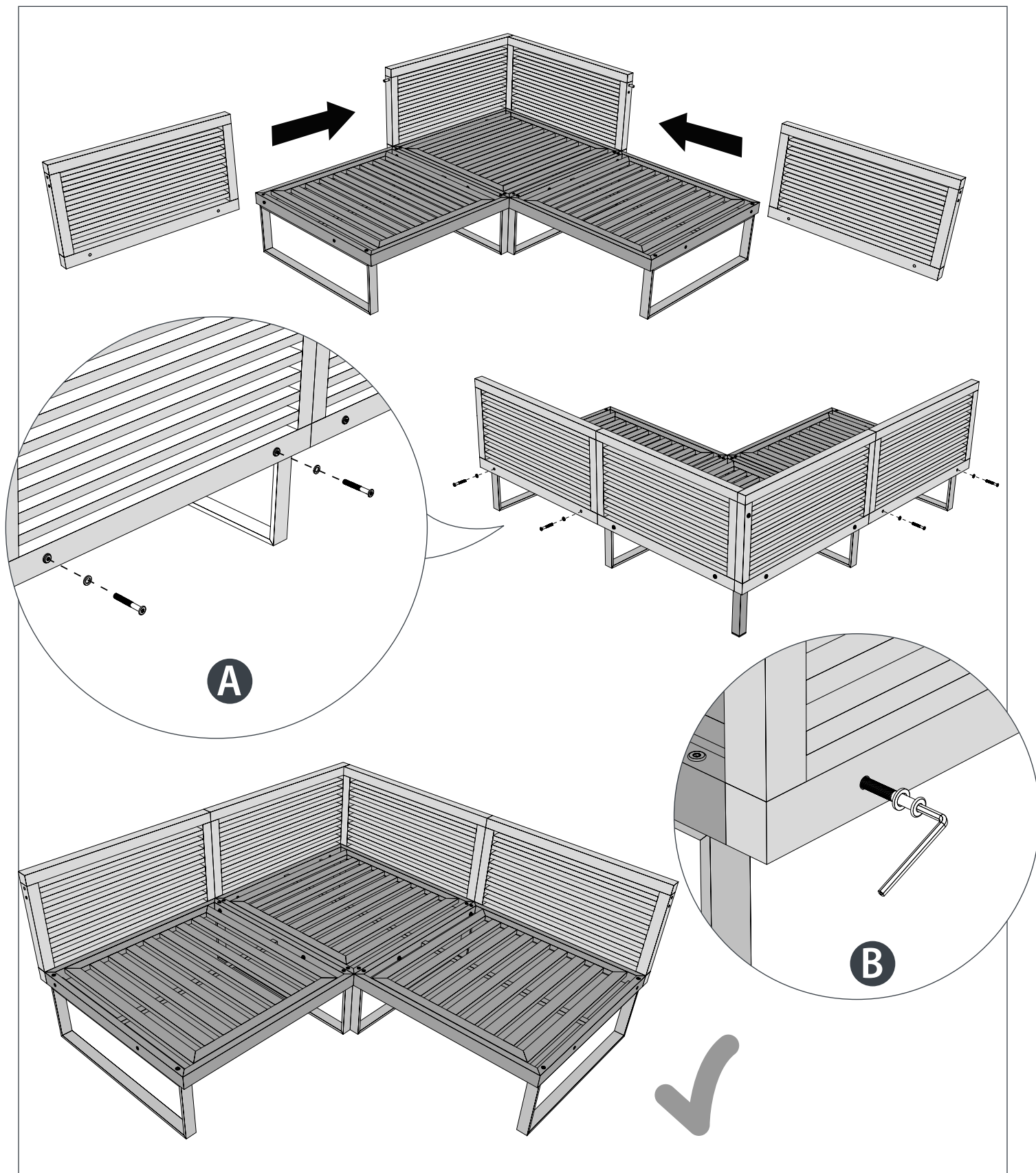
Assemblage de l'ensemble d'angle

- 5** Ajoutez deux boulons M6x60 mm de chaque côté pour joindre les deux ensembles de la base du siège et fixez-les avec une rondelle M8 et un contre-écrou hexagonal M6 illustré (A)



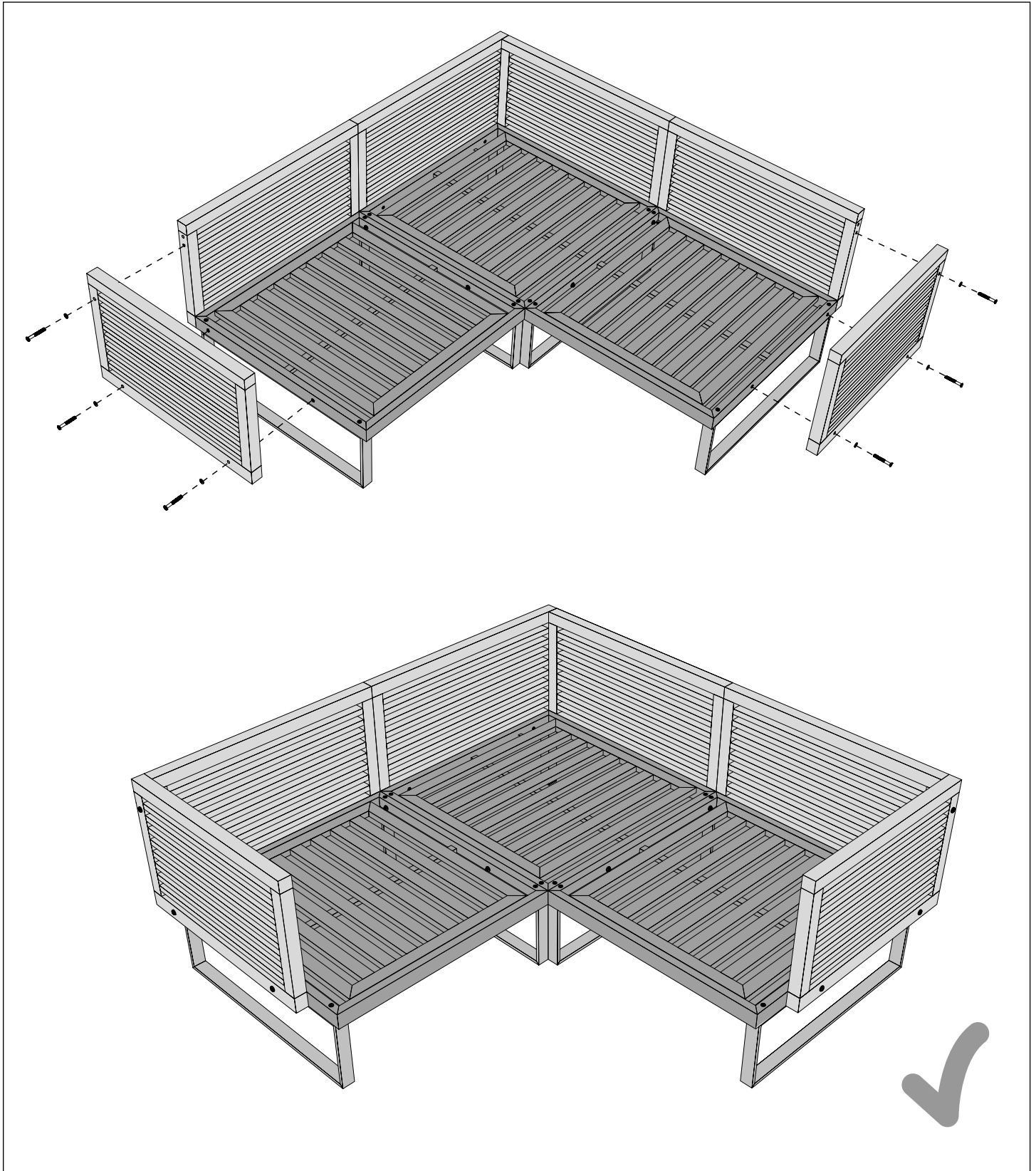
Assemblage de l'ensemble d'angle

- 6** Maintenant, fixez le dossier sur les deux ensembles de base de siège avec deux boulons M8X60 mm et des rondelles M8 (A) pour chaque dossier avec une clé hexagonale (B).



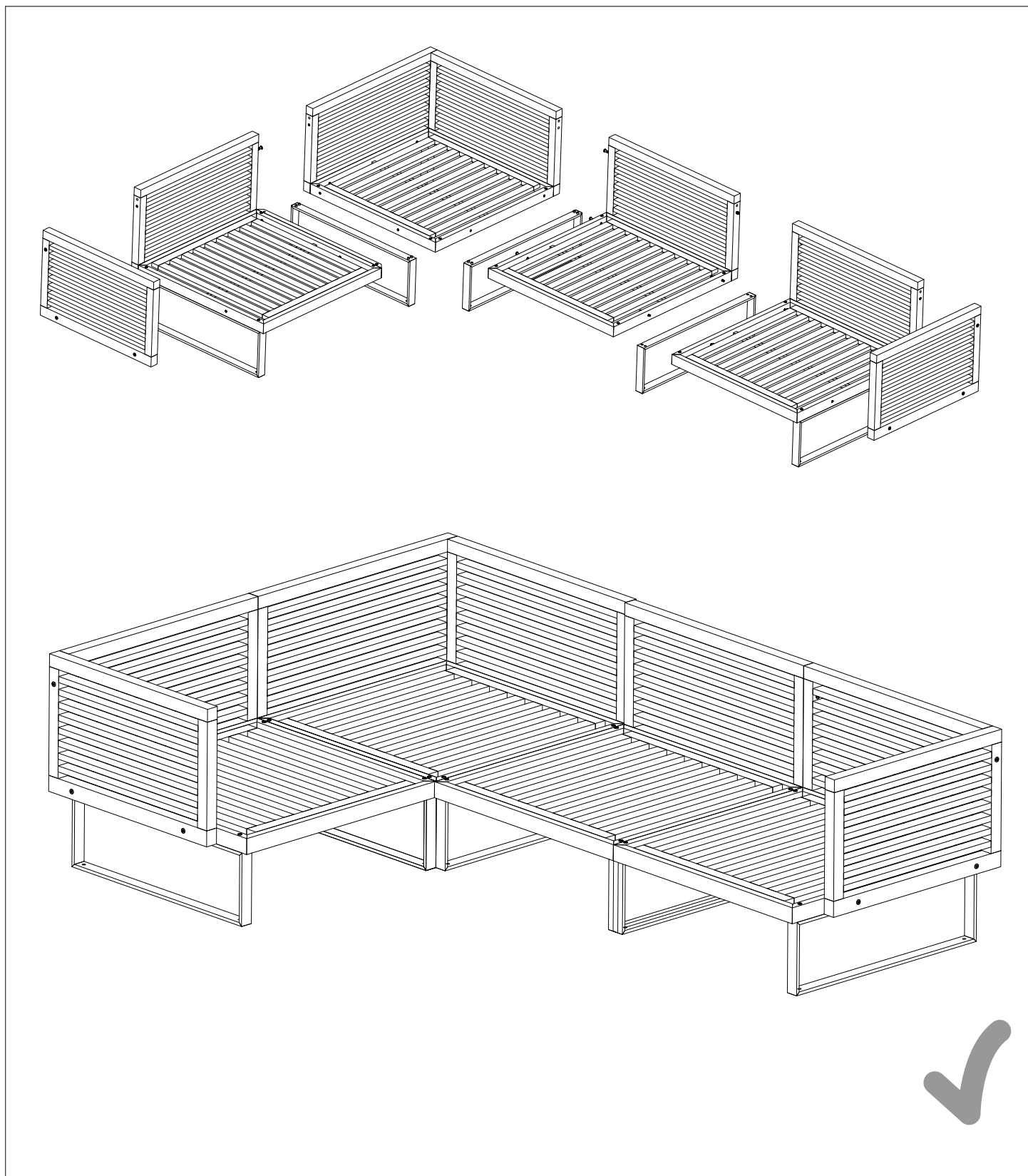
Assemblage de l'ensemble d'angle

- 7** Fixez maintenant les deux accoudoirs à l'ensemble à l'aide de trois boulons M8x60 mm et de rondelles M8 de chaque côté, comme indiqué sur les illustrations.

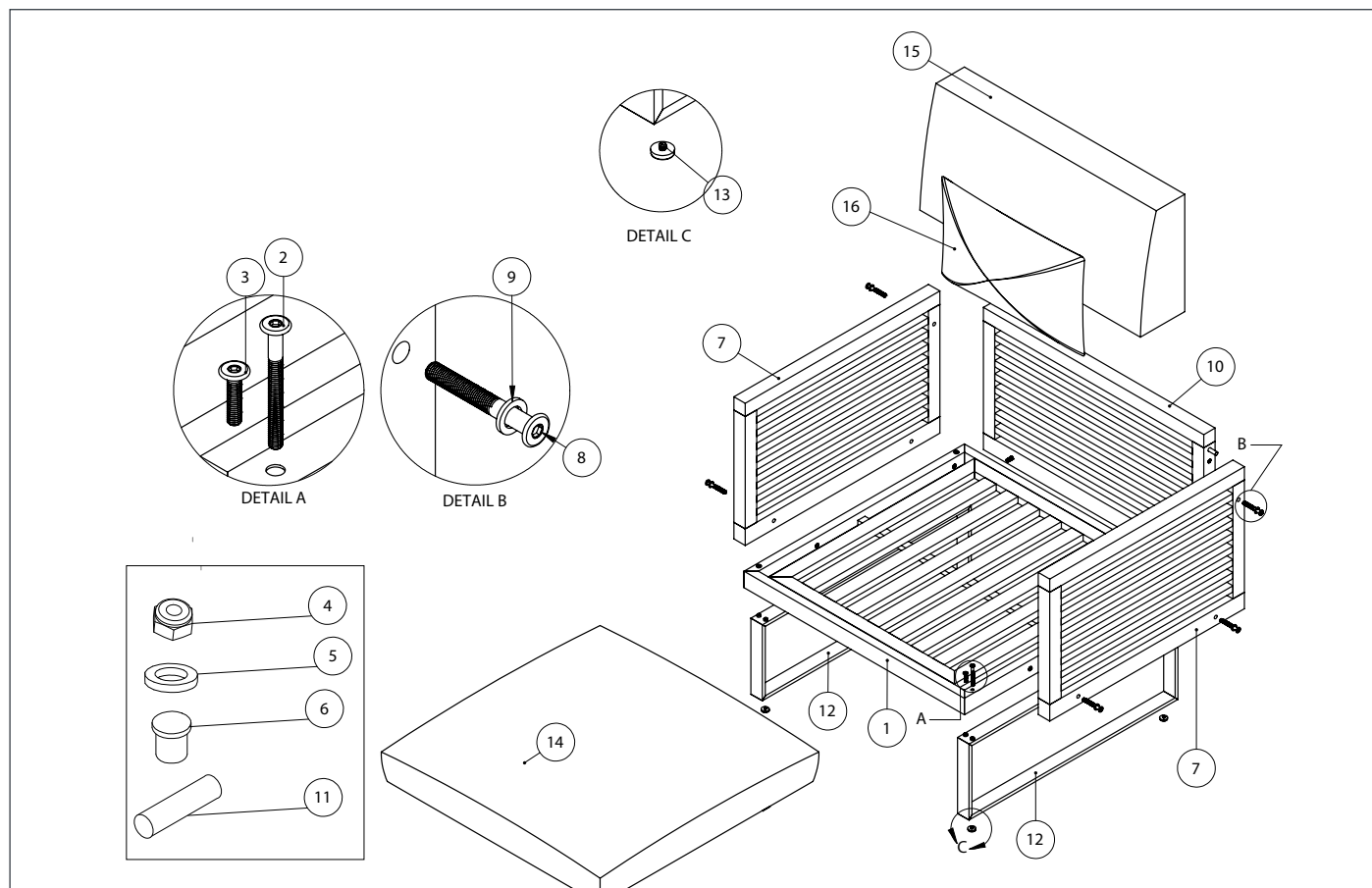


Assemblage de l'ensemble d'angle

i **REMARQUE** : De la même manière, l'ensemble d'angle peut être installé avec plusieurs configurations selon les besoins.



Pièces détachées - siège unique



Acier inoxydable - Sofa en teck

Numéro d'article	N° de pièce	Pièce de rechange N° d'UGS :	Description	NOMENCLATURE QTÉ
1	ODF-08.001A-01-XX	SO	Chaise de patio Monterey de mobilier d'extérieur, acier inoxydable - Ens. de siège en teck	1
2	H00287A-01	91942	JCBC M6X60(boulon)	6
3	H00452A-01	91936	JCBC M6X25(boulon)	4
4	H00317A-01	91971	Contre-écrou hexagonal M6	2
5	H00336A-01	91967	Anneau ID8 X OD16 X 2 mm(Rondelle)	4
6	H00381A-01	91981	Capuchon en plastique dia. 8 mm	4
7	ODF-01.002A-01	SO	Ens. d'accoudoir en teck de chaise de patio Monterey de mobilier d'extérieur	1(Ensemble de 2)
8	H00451A-01	91949	JCBC M8X60	8
9	H00336A-01	91967	Anneau ID8 X OD16 X 2 mm(Rondelle)	8
10	ODF-01.003A-01	SO	Ens. de dossier en teck de chaise de patio Monterey de mobilier d'extérieur	1
11	ODF-01.006A-01	91986	Goupille en acier inoxydable 50 mm	1
12	ODF-08.002A-01-XX	SO	Chaise de patio en acier inoxydable Monterey de mobilier d'extérieur-Ens. de pattes en teck	1(Ensemble de 2)
13	H00333A-01	91958	Patin de réglage M6X5 mm	4
14	ODF-52A-01-XX	SO	Coussin de siège de chaise de patio de mobilier d'extérieur	1
15	ODF-49A-01-XX	SO	Coussin de dossier de chaise de patio de mobilier d'extérieur	1
16	ODF-58A-01-XX	SO	Coussin décoratif de chaise de patio de mobilier d'extérieur	1

Pièces détachées - siège unique

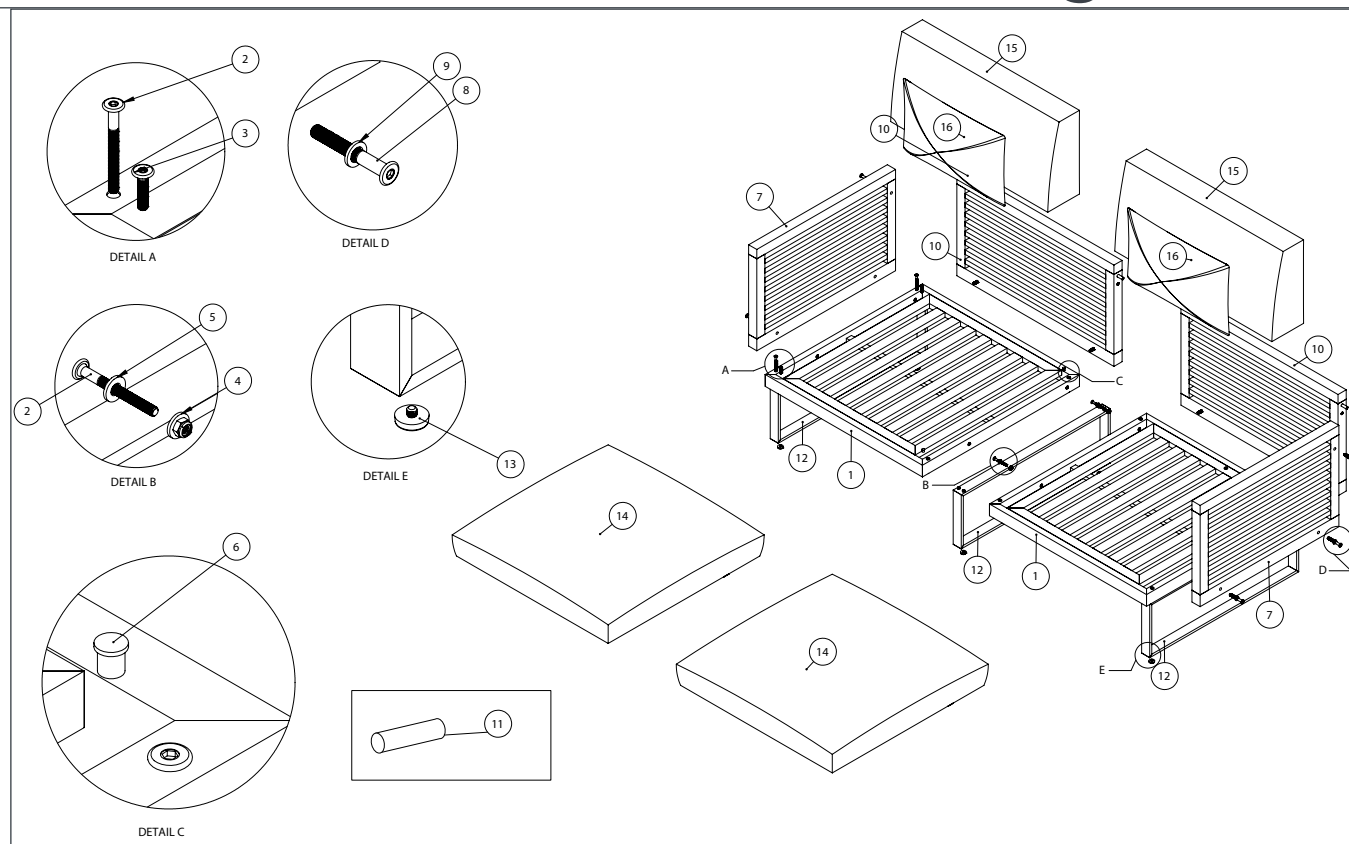
Aluminium - Sofa en teck

Numéro d'article	N° de pièce	Pièce de rechange N° d'UGS :	Description	NOMENCLATURE QTÉ
1	ODF-01.001A-01-XX	SO	Chaise de patio en alum. Monterey de mobilier d'extérieur, ens. de siège en teck	1
2	H00287A-01	91942	JCBC M6X60(boulon)	6
3	H00452A-01	91936	JCBC M6X25(boulon)	4
4	H00317A-01	91971	Contre-écrou hexagonal M6	2
5	H00336A-01	91967	Anneau ID8 X OD16 X 2 mm(Rondelle)	4
6	ODF-01.005A-01	91980	Capuchon en plastique dia. 8 mm-Noir	4
7	ODF-01.002A-01	SO	Ens. d'accoudoir en teck de chaise de patio Monterey de mobilier d'extérieur	1(Ensemble de 2)
8	H00451A-01	91949	JCBC M8X60	8
9	H00336A-01	91967	Anneau ID8X OD16 X 2 mm(Rondelle)	8
10	ODF-01.003A-01	SO	Ens. de dossier en teck de chaise de patio Monterey de mobilier d'extérieur	1
11	ODF-01.006A-01	91986	Goupille en acier inoxydable 50 mm	1
12	ODF-01.004A-01-XX	SO	Chaise de patio en alum. Monterey de mobilier d'extérieur, ens. de pattes en teck	1(Ensemble de 2)
13	H00333A-01	91958	Patin de réglage M6X5 mm	4
14	ODF-52A-01-XX	SO	Coussin de siège de chaise de patio de mobilier d'extérieur	1
15	ODF-49A-01-XX	SO	Coussin de dossier de chaise de patio de mobilier d'extérieur	1
16	ODF-58A-01-XX	SO	Coussin décoratif de chaise de patio de mobilier d'extérieur	1

Sofa en aluminium

Numéro d'article	N° de pièce	Pièce de rechange N° d'UGS :	Description	NOMENCLATURE QTÉ
1	ODF-01.001A-01-XX	SO	Chaise de patio en alum. Monterey de mobilier d'extérieur, ens. de siège en teck	1
2	H00287A-01	91942	JCBC M6X60(boulon)	6
3	H00452A-01	91936	JCBC M6X25(boulon)	4
4	H00317A-01	91971	Contre-écrou hexagonal M6	2
5	H00336A-01	91967	Anneau ID8 X OD16 X 2 mm(Rondelle)	4
6	ODF-01.005A-01	91980	Capuchon en plastique dia. 8 mm-Noir	4
7	ODF-01.002A-01	SO	Ens. d'accoudoir en teck de chaise de patio Monterey de mobilier d'extérieur	1(Ensemble de 2)
8	H00451A-01	91949	JCBC M8X60	8
9	H00336A-01	91967	Anneau ID8X OD16 X 2 mm(Rondelle)	8
10	ODF-01.003A-01	SO	Ens. de dossier en teck de chaise de patio Monterey de mobilier d'extérieur	1
11	ODF-01.006A-01	91986	Goupille en acier inoxydable 50 mm	1
12	ODF-01.004A-01-XX	SO	Chaise de patio en alum. Monterey de mobilier d'extérieur, ens. de pattes en teck	1(Ensemble de 2)
13	H00333A-01	91958	Patin de réglage M6X5 mm	4
14	ODF-52A-01-XX	SO	Coussin de siège de chaise de patio de mobilier d'extérieur	1
15	ODF-49A-01-XX	SO	Coussin de dossier de chaise de patio de mobilier d'extérieur	1
16	ODF-58A-01-XX	SO	Coussin décoratif de chaise de patio de mobilier d'extérieur	1

Pièces détachées - Plusieurs sièges



Acier inoxydable - Sofa en teck

Numéro d'article	N° de pièce	Pièce de rechange N° d'UGS :	Description	NOMENCLATURE QTÉ
1	ODF-01.001A-01-XX	SO	Chaise de patio en alum. Monterey de mobilier d'extérieur, ens. de siège en teck	1
2	H00287A-01	91942	JCBC M6X60(boulon)	6
3	H00452A-01	91936	JCBC M6X25(boulon)	4
4	H00317A-01	91971	Contre-écrou hexagonal M6	2
5	H00336A-01	91967	Anneau ID8 X OD16 X 2 mm(Rondelle)	4
6	ODF-01.005A-01	91980	Capuchon en plastique dia. 8 mm-Noir	4
7	ODF-01.002A-01	SO	Ens. d'accoudoir en teck de chaise de patio Monterey de mobilier d'extérieur	1(Ensemble de 2)
8	H00451A-01	91949	JCBC M8X60	8
9	H00336A-01	91967	Anneau ID8X OD16 X 2 mm(Rondelle)	8
10	ODF-01.003A-01	SO	Ens. de dossier en teck de chaise de patio Monterey de mobilier d'extérieur	1
11	ODF-01.006A-01	91986	Goupille en acier inoxydable 50 mm	1
12	ODF-01.004A-01-XX	SO	Chaise de patio en alum. Monterey de mobilier d'extérieur, ens. de pattes en teck	1(Ensemble de 2)
13	H00333A-01	91958	Patin de réglage M6X5 mm	4
14	ODF-52A-01-XX	SO	Coussin de siège de chaise de patio de mobilier d'extérieur	1
15	ODF-49A-01-XX	SO	Coussin de dossier de chaise de patio de mobilier d'extérieur	1
16	ODF-58A-01-XX	SO	Coussin décoratif de chaise de patio de mobilier d'extérieur	1

Pièces détachées - Plusieurs sièges

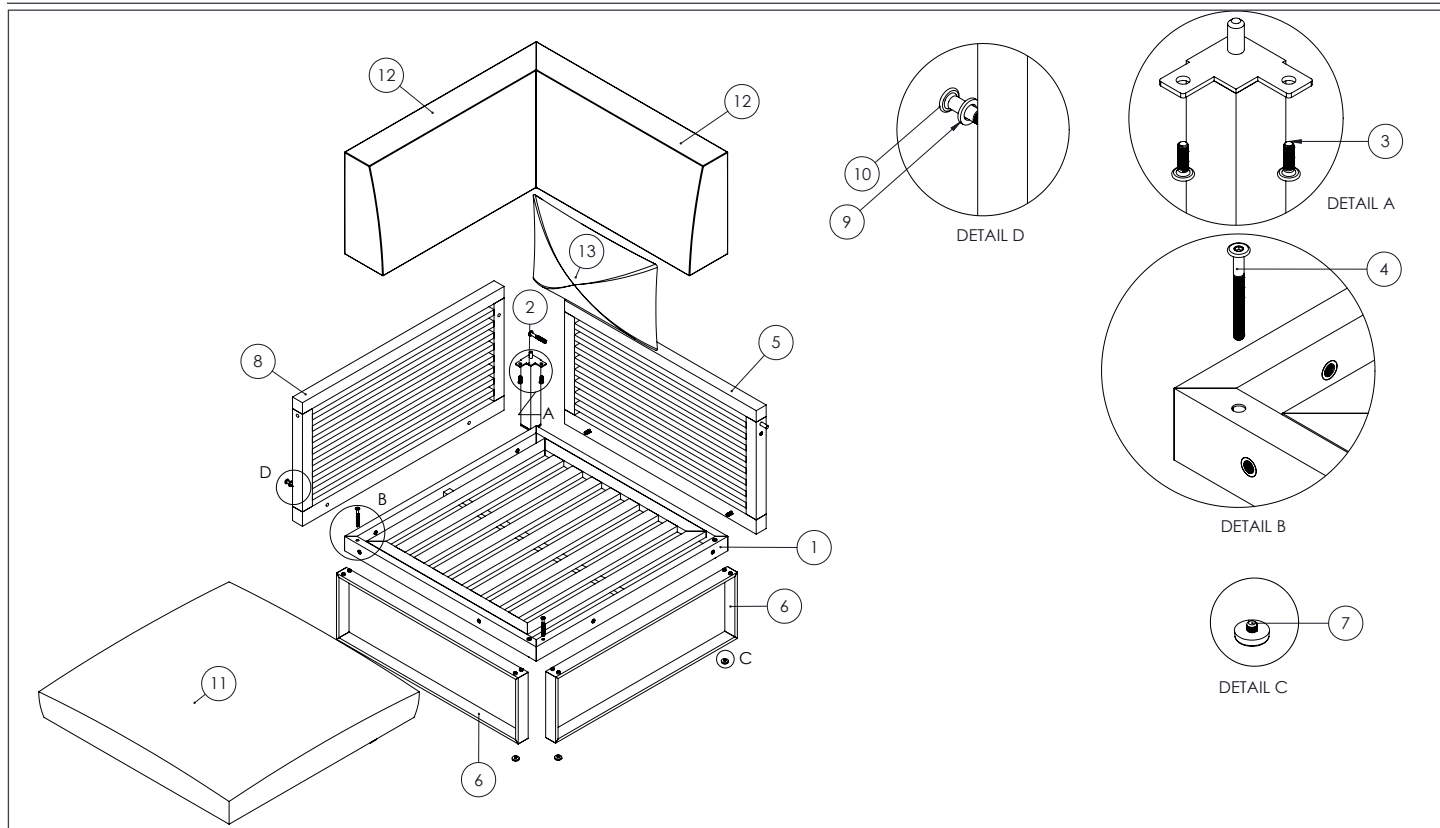
Aluminium - Sofa en teck

Numéro d'article	N° de pièce	Pièce de rechange N° d'UGS :	Description	NOMENCLATURE QTÉ
1	ODF-01.001A-01-XX	SO	Chaise de patio en alum. Monterey de mobilier d'extérieur, ens. de siège en teck	1
2	H00287A-01	91942	JCBC M6X60(boulon)	6
3	H00452A-01	91936	JCBC M6X25(boulon)	4
4	H00317A-01	91971	Contre-écrou hexagonal M6	2
5	H00336A-01	91967	Anneau ID8 X OD16 X 2 mm(Rondelle)	4
6	ODF-01.005A-01	91980	Capuchon en plastique dia. 8 mm-Noir	4
7	ODF-01.002A-01	SO	Ens. d'accoudoir en teck de chaise de patio Monterey de mobilier d'extérieur	1(Ensemble de 2)
8	H00451A-01	91949	JCBC M8X60	8
9	H00336A-01	91967	Anneau ID8X OD16 X 2 mm(Rondelle)	8
10	ODF-01.003A-01	SO	Ens. de dossier en teck de chaise de patio Monterey de mobilier d'extérieur	1
11	ODF-01.006A-01	91986	Goupille en acier inoxydable 50 mm	1
12	ODF-01.004A-01-XX	SO	Chaise de patio en alum. Monterey de mobilier d'extérieur, ens. de pattes en teck	1(Ensemble de 2)
13	H00333A-01	91958	Patin de réglage M6X5 mm	4
14	ODF-52A-01-XX	SO	Coussin de siège de chaise de patio de mobilier d'extérieur	1
15	ODF-49A-01-XX	SO	Coussin de dossier de chaise de patio de mobilier d'extérieur	1
16	ODF-58A-01-XX	SO	Coussin décoratif de chaise de patio de mobilier d'extérieur	1

Sofa en aluminium

Numéro d'article	N° de pièce	Pièce de rechange N° d'UGS :	Description	NOMENCLATURE QTÉ
1	ODF-01.001A-01-XX	SO	Chaise de patio en alum. Monterey de mobilier d'extérieur, ens. de siège en teck	1
2	H00287A-01	91942	JCBC M6X60(boulon)	6
3	H00452A-01	91936	JCBC M6X25(boulon)	4
4	H00317A-01	91971	Contre-écrou hexagonal M6	2
5	H00336A-01	91967	Anneau ID8 X OD16 X 2 mm(Rondelle)	4
6	ODF-01.005A-01	91980	Capuchon en plastique dia. 8 mm-Noir	4
7	ODF-01.002A-01	SO	Ens. d'accoudoir en teck de chaise de patio Monterey de mobilier d'extérieur	1(Ensemble de 2)
8	H00451A-01	91949	JCBC M8X60	8
9	H00336A-01	91967	Anneau ID8X OD16 X 2 mm(Rondelle)	8
10	ODF-01.003A-01	SO	Ens. de dossier en teck de chaise de patio Monterey de mobilier d'extérieur	1
11	ODF-01.006A-01	91986	Goupille en acier inoxydable 50 mm	1
12	ODF-01.004A-01-XX	SO	Chaise de patio en alum. Monterey de mobilier d'extérieur, ens. de pattes en teck	1(Ensemble de 2)
13	H00333A-01	91958	Patin de réglage M6X5 mm	4
14	ODF-52A-01-XX	SO	Coussin de siège de chaise de patio de mobilier d'extérieur	1
15	ODF-49A-01-XX	SO	Coussin de dossier de chaise de patio de mobilier d'extérieur	1
16	ODF-58A-01-XX	SO	Coussin décoratif de chaise de patio de mobilier d'extérieur	1

Pièces de rechange - Sofa d'angle



Acier inoxydable - Sofa d'angle en teck

Article n°	N° de pièce	Pièce de rechange N° d'UGS :	Description	NOMENCLATURE QTÉ
1	ODF-33.001A-01-XX	SO	Chaise de patio d'angle Monterey de mobilier d'extérieur, acier inoxydable - Ens. de siège en teck	1
2	ODF-33.002A-01-XX	SO	Chaise de patio d'angle Monterey de mobilier d'extérieur, acier inoxydable - Ens. de pattes en teck	1
3	H00311A-01	91935	JCBC M6X20(boulon)	2
4	H00287A-01	91942	JCBC M6X60(boulon)	6
5	ODF-01.003A-01	SO	Ens. de dossier en teck de chaise de patio Monterey de mobilier d'extérieur	1
6	ODF-01.006A-01	91986	Goupille en acier inoxydable 50 mm	1
7	H00451A-01	91949	JCBC M8X60(boulon)	5
8	H00453A-01	91968	Anneau ID8 X OD16 X 2 mm(Rondelle)	13
9	ODF-08.002A-01-XX	SO	Chaise de patio en acier inoxydable Monterey de mobilier d'extérieur-Ens. de pattes en teck	1(Ensemble de2)
10	ODF-03.002A-01	SO	Ens. de dossier de chaise de patio d'angle en teck Monterey de mobilier d'extérieur	1
11	ODF-52A-01-XX	SO	Coussin de siège de chaise de patio de mobilier d'extérieur	1
12	ODF-50A-01-XX	SO	Coussin de dossier de chaise de patio d'angle Monterey de mobilier d'extérieur	1
13	ODF-58A-01-XX	SO	Coussin décoratif de chaise de patio de mobilier d'extérieur	1
14	H00381A-01	91981	Capuchon en plastique dia. 8 mm	4
15	H00317A-01	91971	Contre-écrou hexagonal M6	2

Pièces de rechange - Sofa d'angle

Aluminium - Sofa en teck

Article n°	N° de pièce	Pièce de rechange N° d'UGS :	Description	NOMENCLATURE QTÉ
1	ODF-03.001A-01-XX	SO	Chaise de patio d'angle Monterey de mobilier d'extérieur, aluminium - Ens. de siège en teck	1
2	ODF-03.003A-01-XX	SO	Chaise de patio d'angle Monterey de mobilier d'extérieur, aluminium - Ens. de pattes en teck	1
3	H00311A-01	91935	JCBC M6X20(boulon)	2
4	H00287A-01	91942	JCBC M6X60(boulon)	6
5	ODF-01.003A-01	SO	Ens. de dossier en teck de chaise de patio Monterey de mobilier d'extérieur	1
6	ODF-01.006A-01	91986	Goupille en acier inoxydable 50 mm	1
7	H00451A-01	91949	JCBC M8X60(boulon)	5
8	H00453A-01	91968	Anneau ID10 X OD16 X 2 mm(Rondelle)	13
9	ODF-01.004A-01-XX	SO	Chaise de patio en alum. Monterey de mobilier d'extérieur, ens. de pattes en teck	1(Ensemble de2)
10	ODF-03.002A-01	SO	Ens. de dossier de chaise de patio d'angle en teck Monterey de mobilier d'extérieur	1
11	ODF-52A-01-XX	SO	Coussin de siège de chaise de patio de mobilier d'extérieur	1
12	ODF-50A-01-XX	SO	Coussin de dossier de chaise de patio d'angle Monterey de mobilier d'extérieur	1
13	ODF-58A-01-XX	SO	Coussin décoratif de chaise de patio de mobilier d'extérieur	1
14	ODF-01.005A-01	91980	Capuchon en plastique dia. 8 mm-Noir	4
15	H00317A-01	91971	Contre-écrou hexagonal M6	2

Sofa en aluminium

Article n°	N° de pièce	Pièce de rechange N° d'UGS :	Description	NOMENCLATURE QTÉ
1	ODF-03.001A-01-XX	SO	Chaise de patio d'angle Monterey de mobilier d'extérieur, aluminium - Ens. de siège en teck	1
2	ODF-03.003A-01-XX	SO	Chaise de patio d'angle Monterey de mobilier d'extérieur, aluminium - Ens. de pattes en teck	1
3	H00311A-01	91935	JCBC M6X20(boulon)	2
4	H00287A-01	91942	JCBC M6X60(boulon)	6
5	ODF-01.003A-01	SO	Ens. de dossier en teck de chaise de patio Monterey de mobilier d'extérieur	1
6	ODF-01.006A-01	91986	Goupille en acier inoxydable 50 mm	1
7	H00451A-01	91949	JCBC M8X60(boulon)	5
8	H00453A-01	91968	Anneau ID10 X OD16 X 2 mm(Rondelle)	13
9	ODF-01.004A-01-XX	SO	Chaise de patio en alum. Monterey de mobilier d'extérieur, ens. de pattes en teck	1(Ensemble de2)
10	ODF-03.002A-01	SO	Ens. de dossier de chaise de patio d'angle en teck Monterey de mobilier d'extérieur	1
11	ODF-52A-01-XX	SO	Coussin de siège de chaise de patio de mobilier d'extérieur	1
12	ODF-50A-01-XX	SO	Coussin de dossier de chaise de patio d'angle Monterey de mobilier d'extérieur	1
13	ODF-58A-01-XX	SO	Coussin décoratif de chaise de patio de mobilier d'extérieur	1
14	ODF-01.005A-01	91980	Capuchon en plastique dia. 8 mm-Noir	4
15	H00317A-01	91971	Contre-écrou hexagonal M6	2

Nettoyage et soins

Pièces en teck

- Enlevez les débris avec une brosse douce à poils de nylon
 - Nettoyez la surface à l'aide d'une éponge ou d'un chiffon humide avec de l'eau et du savon doux.
 - Absorbent l'excédent d'eau avec un chiffon en microfibre ou non pelucheux
 - Laissez le bois sécher naturellement
 - Pour aider à prévenir les taches sur les composants en teck, NewAge recommande d'appliquer le Teak Shield de Golden Care sur nos produits. Suivez les instructions d'application fournies avec Teak Shield.
- **Huilier régulièrement les pièces en teck peut aider à préserver leur aspect brun doré d'origine. Suivez les étapes ci-dessous avant de huiler :**
1. Mettez un chiffon ou un journal en dessous des pièces en teck pour recueillir les déversements. Mettez des gants pour éviter d'avoir de l'huile sur vos mains, ce qui pourrait irriter la peau.
 2. Nettoyez les pièces en bois avec de l'eau et du savon doux.
 3. Séchez les pièces en bois après les avoir nettoyées et laissez-les reposer de 24 à 36 heures pour qu'il n'y ait aucune humidité avant de procéder à l'application d'huile.
 4. Appliquez de l'huile pour teck à l'aide d'un pinceau ou d'un chiffon.
 5. Attendez quinze minutes, puis essuyez avec un chiffon.
 6. Réappliquez tous les 6 mois.

Pièces en aluminium à revêtement en poudre

- Nettoyez avec de l'eau et un détergent liquide doux pour enlever toute saleté ou éclaboussure.
- Un chiffon ou une éponge en microfibre doit être utilisé(e) pour essuyer les surfaces du meuble.
- L'élimination de l'eau de surface avec un chiffon sec permet d'éviter les taches d'eau.
- Évitez d'utiliser des produits ou des matériaux de nettoyage abrasifs, car ils pourraient marquer la surface de la peinture en poudre.
- Ce matériau peut être rayé, n'utilisez pas de laine d'acier ou de Scotchbrite sur les surfaces revêtues de poudre.

Pièces en acier inoxydable

- Lavez régulièrement l'évier avec de l'eau douce propre, un détergent doux et un chiffon en microfibre.
- Après avoir lavé, rincez avec de l'eau douce et essuyez la surface pour la sécher avec votre chiffon en n'oubliant pas d'aller dans le sens du grain sur l'acier inoxydable brossé.
- N'utilisez pas de nettoyant abrasif ou de tampon à récurer, indifféremment du type, car ils causeront une usure excessive et terniront le fini.
- Nous vous recommandons d'utiliser un nettoyant multi-surfaces ou un nettoyant pour acier inoxydable pour éliminer les taches.

Si vous observez une oxydation, vous devez suivre quelques étapes pour restaurer vos pièces en acier inoxydable à un état « comme neuf » :

- Appliquez de l'eau douce avec une éponge propre et frottez doucement dans la direction du grain.
- Si la marque ne disparaît pas, il pourrait être nécessaire d'utiliser un nettoyant pour acier inoxydable. Il suffit alors d'appliquer le nettoyant et de frotter doucement.
- Après le nettoyage, il est important de rincer l'acier inoxydable avec de l'eau douce propre et de frotter avec un chiffon doux.
- N'oubliez pas de toujours frotter dans le sens du grain, JAMAIS de travers, car cela ruinera le fini et l'acier inoxydable pourrait perdre son lustre. Si vous devez utiliser un tampon à récurer, utilisez-en un en plastique et ne contenant aucun métal.

NEWAGE PRODUCTS INC. GARANTIE DU FABRICANT DE MEUBLES D'EXTÉRIEUR

UNE PREUVE D'ACHAT EST REQUISE

POUR OBTENIR UN SERVICE SOUS GARANTIE.

Veillez avoir les renseignements suivants lorsque vous appelez notre équipe du service à la clientèle :

- Le nom, l'adresse et le numéro de téléphone
- Le nom du produit / numéro d'UGS
- Une description claire et détaillée du problème
- Une preuve d'achat, y compris un numéro de commande

Enregistrez votre achat de produits NewAge en ligne pour obtenir une assistance à la clientèle plus rapide et un accès à des avantages exclusifs

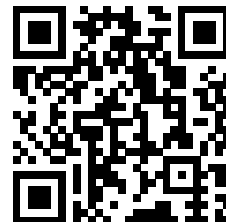
Visitez www.newageproducts.com/register/

Réclamation sous garantie

Pour un service sous garantie, veuillez contacter NewAge Products au **1 877-306-8930**; ou support@newageproducts.com

Veillez examiner tous les détails de la garantie ci-dessous avant de contacter NewAge Products pour une réclamation.

Balayez le code à barres 2D à droite pour accéder à la page d'assistance ou visitez le www.newageproducts.com/contact-us/



Balayez ce code à barres 2D avec la caméra de votre téléphone mobile pour visiter le Centre d'assistance de NewAge Products www.newageproducts.com/support-hub/

CE QUI EST COUVERT

Pendant la durée de la garantie à compter de la date d'achat, lorsque ce produit est installé, utilisé et entretenu conformément aux instructions fournies, NewAge Products Inc. remplacera les pièces ou le produit défectueux, si le bris provient d'un défaut de matériau ou de fabrication.

CE QUI N'EST PAS COUVERT

1. Les appels de service pour corriger l'installation de tout produit NewAge ou pour vous montrer comment l'utiliser ou l'installer.
2. Les dommages causés par une manutention inadéquate du produit, ou des produits endommagés par un accident, une mauvaise utilisation, un abus, un incendie, une inondation, une installation inadéquate, un cas fortuit, une négligence, la corrosion, une modification ou une mauvaise manipulation.
3. Les produits endommagés en raison d'une charge supérieure au poids maximum précisé dans les instructions fournies avec le produit.
4. Les réparations ou le remplacement lorsque votre produit est utilisé pour un autre usage que celui d'un ménage unifamilial normal, comme un milieu commercial, ou portatif d'une manière incohérente avec les instructions d'installation comprises avec le produit.
5. Les dommages cosmétiques, y compris les éraflures, les marques, les entailles ou les fissures dans la peinture qui n'affectent pas la capacité fonctionnelle ou structurelle du produit.
6. Les surfaces endommagées en raison d'une interaction chimique entraînant la corrosion de la peinture ou du métal.
7. Les pièces de rechange pour des produits NewAge à l'extérieur du Canada et des États-Unis.
8. La perte des produits y étant contenue en raison d'un vol, d'un incendie, d'une inondation, d'un accident ou de cas fortuits.
9. Les frais d'expédition ou de transport pour livrer les produits de rechange ou pour retourner des produits défectueux.
10. Tout coût de main-d'œuvre pendant la période de garantie limitée.

NEWAGE PRODUCTS INC. GARANTIE DU FABRICANT DE MEUBLES D'EXTÉRIEUR

GARANTIE LIMITÉE D'UN AN

CADRES TISSÉS (CORDE PLATE ET OSIER)

La garantie NewAge couvre la corde plate et l'osier tressé sur les cadres pendant 1 AN. Si le tissage en résine tissé à la main se brise ou se détériore structurellement, ou si le tissage se décolore excessivement ou se décolore dans un délai d'un an à compter de la date d'achat, nous remplacerons, réparerons ou refinirons, à notre discrétion, le produit dans la couleur et le style originaux, si disponibles, ou dans une couleur et un style similaires, si l'original n'est plus disponible. **LE TISSAGE NE SERA PAS GARANTI SI LA DÉTÉRIORATION, DÉCOLORATION, ETC. EST DUE À DES PRODUITS CHIMIQUES, DES PRODUITS DE NETTOYAGE AUTRES QUE CEUX SPÉCIFIÉS, DES LOTIONS SOLAIRES ET AUTRES, À UNE UTILISATION DANS DES ENVIRONNEMENTS COMMERCIAUX, À UNE CHALEUR EXTRÊME OU AU RAYONNEMENT SOLAIRE.**

COUSSINS ET TISSU

La garantie NewAge couvre tous les coussins et tissus pendant 1 AN. Si votre coussin ou votre tissu devient inutilisable en raison d'une perte de couleur ou de résistance due à une utilisation et à des conditions d'exposition normales, y compris la lumière du soleil, la moisissure et les produits chimiques atmosphériques, dans l'année qui suit la date d'achat, NewAge réparera ou remplacera le tissu dans la couleur et le motif d'origine s'ils sont disponibles, ou dans une couleur et un motif similaires si l'original n'est plus disponible. Toute défaillance au niveau des coutures, de la mousse des coussins, de la monture/du mât du parasol ou de tout autre élément de fabrication sera garantie pendant 1 AN. **CETTE GARANTIE NE COUVRE PAS L'ENTRETIEN ET LE NETTOYAGE NORMAUX, LES DOMMAGES RÉSULTANT D'UNE MAUVAISE UTILISATION OU D'UN ABUS, D'UNE INSTALLATION INCORRECTE, OU LES COÛTS ASSOCIÉS AU REMPLACEMENT DU TISSU, Y COMPRIS LA MAIN-D'ŒUVRE ET L'INSTALLATION. LE TISSU NE SERA PAS GARANTI SI LA DÉTÉRIORATION, DÉCOLORATION, ETC. EST DUE À DES PRODUITS CHIMIQUES, DES PRODUITS DE NETTOYAGE, DES LOTIONS SOLAIRES ET AUTRES, À UNE UTILISATION EN MILIEU COMMERCIAL, À UNE CHALEUR EXTRÊME OU AU RAYONNEMENT SOLAIRE.**

GARANTIE LIMITÉE DE TROIS ANS

CADRES EN ACIER INOXYDABLE ET EN ALUMINIUM THERMOLAQUÉ

La garantie NewAge couvre les cadres en aluminium et en acier inoxydable pendant 3 ANS. Si votre cadre NewAge présente une défaillance structurelle lors d'une utilisation normale dans les trois ans, NewAge réparera ou remplacera le cadre du mobilier d'extérieur. à la discrétion du fabricant (avec le même produit ou un produit similaire s'il est discontinué). De temps en temps, il peut y avoir des variations mineures dans la couleur et la texture des finitions. **LA PRÉSENTE GARANTIE NE COUVRE PAS SPÉCIFIQUEMENT CES VARIATIONS MINEURES DE COULEUR ET DE TEXTURE DES FINITIONS.**

CADRES EN TECK

La garantie NewAge couvre les cadres des meubles en teck pendant 3 ANS. Si votre cadre NewAge présente une défaillance structurelle lors d'une utilisation normale dans les 3 ans, NewAge réparera ou remplacera le cadre du mobilier d'extérieur. à la discrétion du fabricant (avec le même produit ou un produit similaire s'il est discontinué). Cette garantie n'est valable que si le teck est entretenu correctement selon les instructions fournies dans le guide d'installation. Les variations naturelles du bois ne sont pas prises en compte. De temps en temps, il peut y avoir des variations dans la couleur et la texture des finitions. **LA GARANTIE NE COUVRE SPÉCIFIQUEMENT PAS LES VARIATIONS MINEURES DE COULEUR ET DE TEXTURE DES FINITIONS. LES ÉLÉMENTS TELS QUE LES PATTES DE CHAISE SONT SUJETS À L'USURE ET NE SONT PAS CONSIDÉRÉS COMME FAISANT PARTIE DU CADRE.**

EXCLUSION DE GARANTIES IMPLICITES

DANS LA MESURE PERMISE, LES GARANTIES IMPLICITES, Y COMPRIS LES GARANTIES APPLICABLES DE QUALITÉ MARCHANDE OU DE CONFORMITÉ À UN USAGE PARTICULIER, SONT EXCLUES DANS LA LIMITE OÙ LA LOI LE PERMET. TOUTE GARANTIE IMPLICITE QUI POURRAIT ÊTRE IMPOSÉE PAR LA LOI DOIT SE LIMITER À UN AN, OU À LA PÉRIODE LA PLUS COURTE PERMISE PAR LA LOI. CETTE GARANTIE SE LIMITE À L'ACHETEUR D'ORIGINE. Certains États ainsi que certaines provinces ne permettent pas les limitations sur la durée d'une garantie implicite de qualité marchande ou de conformité, il est donc possible que les limitations ci-dessus ne s'appliquent pas à vous. Cette garantie vous donne des droits légaux particuliers et vous pourriez également disposer d'autres droits variant selon l'État ou la province.

LIMITATION DES RECOURS; EXCLUSION DES DOMMAGES ACCESSOIRES ET INDIRECTS

EN VERTU DE CETTE GARANTIE LIMITÉE, VOTRE SEUL ET UNIQUE RECOURS DOIT ÊTRE LA RÉPARATION OU LE REMPLACEMENT DU PRODUIT, À NOTRE DISCRÉTION, COMME INDIQUÉ AUX PRÉSENTES. NEWAGE NE DOIT PAS ÊTRE TENU RESPONSABLE DES DOMMAGES ACCESSOIRES ET INDIRECTS. Certains États ainsi que certaines provinces ne permettent pas l'exclusion ou la limitation des dommages accessoires ou indirects, il est par conséquent possible que ces limitations et exclusions ne s'appliquent pas à vous. Cette garantie vous donne des droits légaux particuliers et vous pourriez également disposer d'autres droits variant selon l'État ou la province.