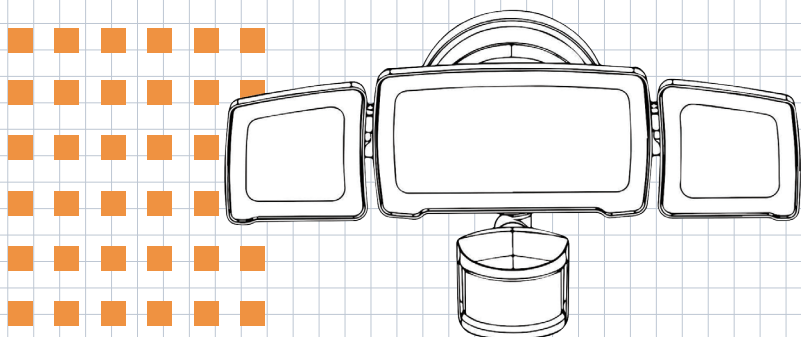




MOTION SECURITY LIGHT

User Manual

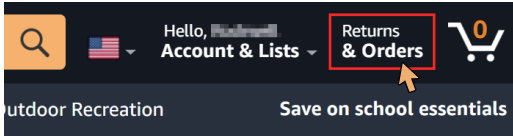


Should you experience any issues while operating any of our products, you can directly reach out to our Customer Support via Amazon Orders. Or you can send your inquiry to our Official Customer Support at:

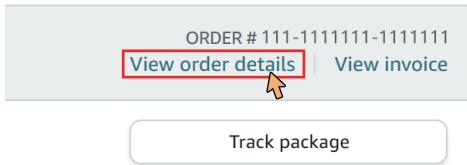
support@amicolight.com

+1(626)313-9318 Monday - Friday from 9:00AM - 5:00PM (PT)

- ① Log into your Amazon.com account, click **"Returns&Orders"** on the top-right corner.



- ② Find your order in the list and click **"View order details"**.



- ③ Click the **"store name"** following the Sold by, below the product title.

Delivered yesterday



Sold by: [blacked out]

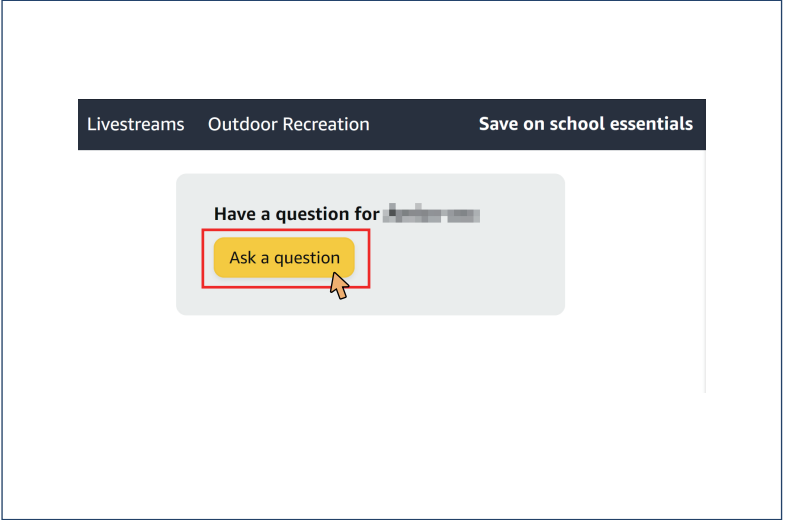
Serial Numbers:

AZ: [blacked out]

Return eligible through Sep 8, 2021

\$49.99

- ④ Click the yellow button "Ask a question", on the top-right corner, to contact the seller.



Should you experience any issues while operating any of our products, you can directly reach out to our Customer Support via Amazon Orders. Or you can send your inquiry to our Official Customer Support at:

Call us:

+1.626-313-9318

Monday - Friday from 9:00AM - 5:00PM (PT)

Contact via Email: support@amicolight.com

01 30-Day Return Policy

If you're not completely satisfied with your purchase, simply return the merchandise via Amazon Orders.

Unused merchandise can be refunded or exchanged within 30 days from the original purchase date.

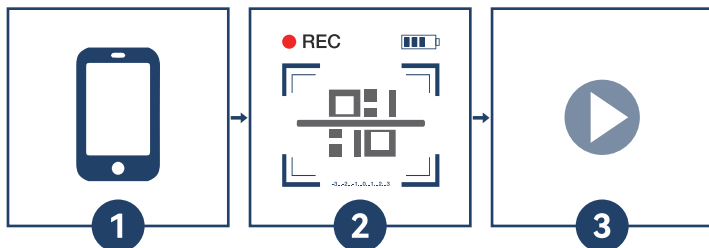
02 5-Year Warranty

We guarantee your product is free from defects in product material and workmanship for five (5) years starting from the date of purchase during normal use of household conditions. If your appliance fails to operate properly within our warranty period, we will arrange a new replacement free of charge and cover all the shipping costs.

03 Quick Response within 12 Hours

If you are still unable to resolve the issue you are experiencing, please contact us immediately at our support email. It doesn't matter if the product has been installed, our customer support team will respond within 12 hours and assist you quickly and efficiently. The most efficient way to confirm your problem to us is to attach a video illustrating your product issue.

INSTALLATION VIDEO



Need a Video Instruction Guide?
Please scan the QR code.

If the QR code is invalid, please contact us for the video.

SAFETY INFORMATION

1. This product must be installed and operated by professional electricians according to the installation instructions.
2. This fixture is designed for using 120VAC, 60Hz . Do not use DC power.
3. Before installing the light fixture, ensure that all parts are present and same as the part list. If any part is missing or damaged, do not attempt to assemble, install, or operate this light fixture.
4. Turn off the power and make sure the power is off before installing the light fixture.
5. This light fixture is a non-dimmable product, do not connect to a dimmer or timer.
6. When using the light fixture, do not cover by any combustible materials to avoid fire.
7. Burn warned. Don't touch the light fixture before cooling.
8. This device complies with the FCC Rules.
9. Install the height of the light fixture not lower than 6.6FT, to avoid disturbance from small animals on the ground within detection range.
10. Try to install this light fixture in the place without metal halide lamp, if can't avoid, install the light fixture 10FT away from the irradiation scope of metal halide lamp.
11. The light fixture should be installed away from the place like air conditioning, refrigerators, furnace, which provided sensitive to air temperature change, as well as windows and other strong hot air flow places, so as not to cause wrong action.
12. When the air temperature is close to a person's body temperature, the detection sensitivity will reduce.

SPECIFICATIONS

Voltage	120V 60Hz
Wattage	40W
Rated Luminous Flux	4000LM
Max Detection Distance	70FT
Max Detection Degree	150°(plane detection degree)
Weight	14.1lbs
Warranty	5 years

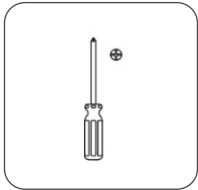
HOW TO INSTALL

MOUNTING LOCATION

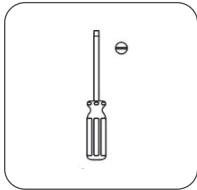


- 1 Mounting location: wall or eave mounted.**
- 2 Mounting Height:** The light fixture should be mounted approximately 8FT (7.2-8.2FT) above the ground. If the light fixture is mounted higher or lower than recommended, the coverage area, distance or sensitivity of the sensor will be changed accordingly.

TOOLS NEEDED FOR INSTALLATION



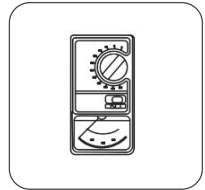
Phillips screwdriver



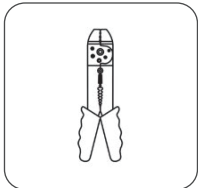
Flathead screwdriver



Safety goggles



Circuit tester



Wire strippers/cutters



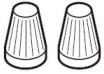
Insulated gloves



Ladder

HOW TO INSTALL

ACCESSORIES



2 Wire
Connectors

A



Ground screw

B



Rubber Plug

C



4 Screws
(2 sizes included)

D



Mounting Bolt

E



EVA Gasket

F

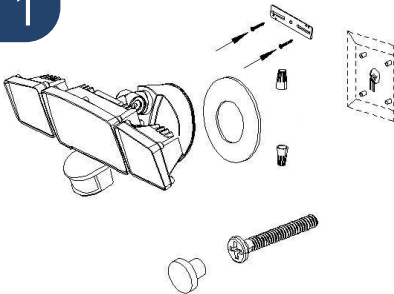


Mounting Strap

G

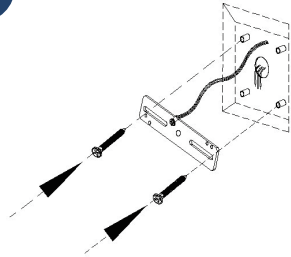
INSTALLATION STEPS

1



1 Installation accessories display.

2

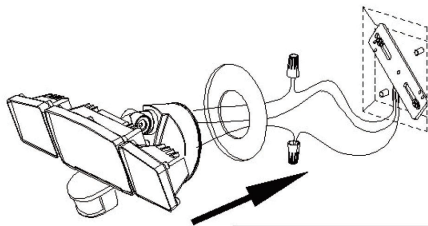


2 Mount the brackets to the wall connection box.

HOW TO INSTALL

INSTALLATION STEPS

3



The sensors is installed below

Black	—	—	L
White	—	—	N
GND	—	—	⊕

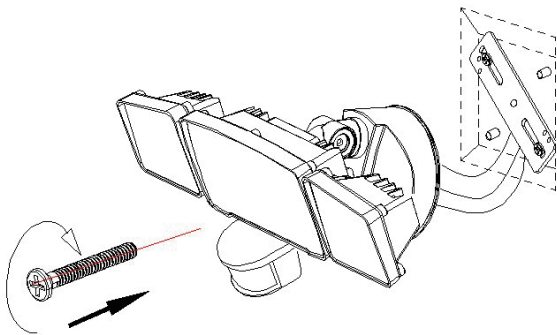
- 3 Insert the wire through EVA pad, and use spiral connector to connect the junction box wire.

Note: Wiring Connection:

1. L connected Black line ;
2. N connected White line ;
3. Ground wire conneted to green ground screw on fixture together with junction box.

Note: Improper wiring or poor grounding may cause the light to be slightly bright.

4

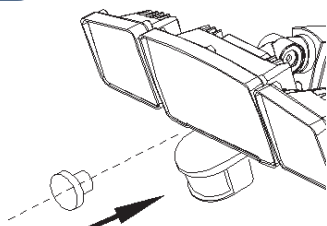


- 4 Align the lamp body with the hole on the bracket of the junction box, then use screw to fix in the middle of the bottom box.

HOW TO INSTALL

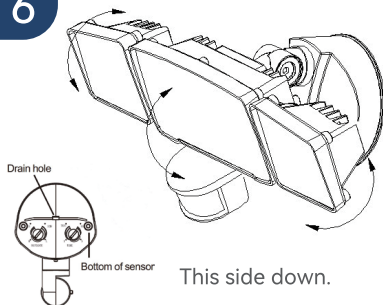
INSTALLATION STEPS

5



- 5 Plug the hole with a rubber plug, waterproof and dustproof.

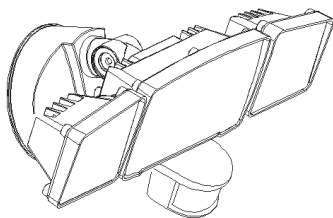
6



- 6 Adjust the lamp holder and the sensor to the right positions. Please note the sensor should be face down.

DIRECTION ADJUSTMENT

Setting for the light coverage area



- Tilt the light head left or right to adjust the light coverage area, see the arrow indication direction 1 and 2 to adjust the light head.
- Tilt the light head up or down to adjust the light coverage area, see the arrow indication direction 3 and 4 to adjust the light head.

SENSOR INSTRUCTIONS

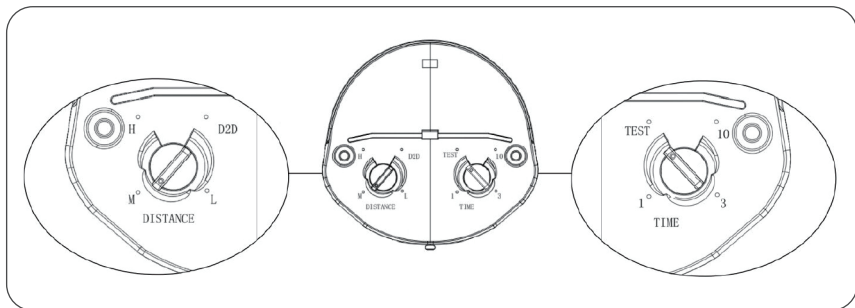
SPECIFICATION

Power Source	AC120V	Rated load	40W LED
Power Frequency	60 Hz	Detection	1>RANGE MIN: Within 3FT
Installation Height	3.3FT-13FT	Distance	2>RANGE MAX: Within 70FT
Detection Range	150°	Time Setting	1>Test mode: 5 sec
Detection Motion Speed	0.6-1.5 m/s		2>Motion mode: On-time(1 min-3 min-10 min)
Working Temperature Power	-14°F~104°F	Working Humidity:	<93%RH

MODE SETTING UP

(Note: It will enter the warm-up time for 15S when the lamp is turned on, then start mode setting.)

- 1>TEST MODE (Light on for 5S for both day and night when sensing a moving object)
Setting Method: Set "TIME" to "TEST", and set "DISTANCE" to any one of "L/M/H".
Adjust the "distance" switch can set the sensitivity of the sensor, means changing the sensor's detection distance, it can be positioned to high, mid and low.



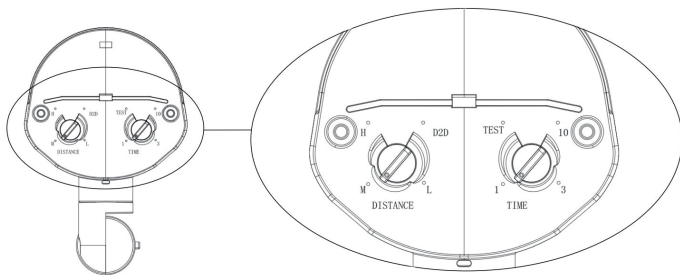
SENSOR INSTRUCTIONS

MODE SETTING UP

- 2** 2>MOTION MODE (When the object moves within the range of induction and the brightness of outside is less than 10Lux, the light will be turned off automatically after light on for 1min/3min/10min. After 3S, its will enter the motion mode again when sensing a moving object. Light off automatically when the brightness of outside is higher 40Lux.)

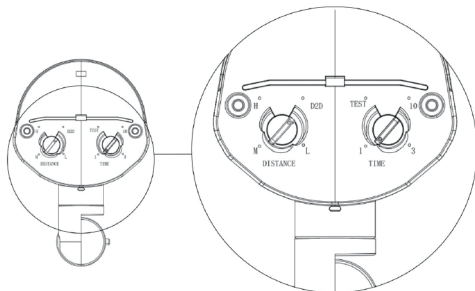
Setting Method:

- Detection Distance: Set "DISTANCE" to any one of "L/M/H" according to your application;
- Lighting up time: Set "TIME" to any one of "1min/3min/10min" according to your application.



- 3** 3> DUSK TO DAWN (Light on automatically when the brightness less than 10Lux outside; Light off automatically when the brightness high than 40Lux outside.)

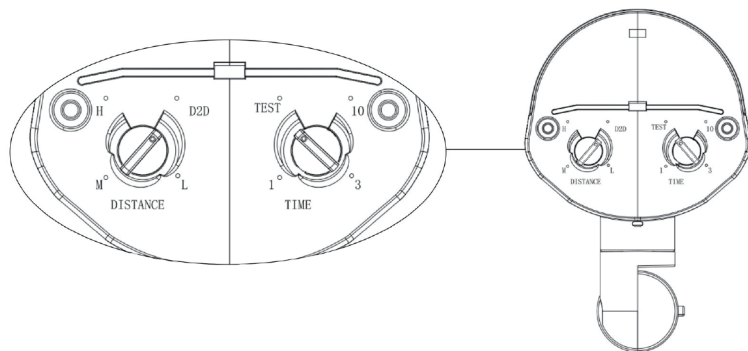
Setting Method: Set "DISTANCE" to "D2D", and set "TIME" to any one of "1min/3min/10min"



SENSOR INSTRUCTIONS

MODE SETTING UP

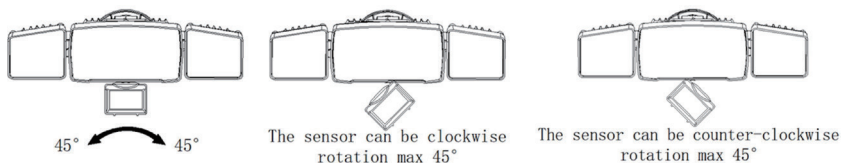
- 4** 4>MANUAL MODE (Light on for both day and night)
Setting Method: Set "DISTANCE" to "D2D", set "TIME" to "TEST".



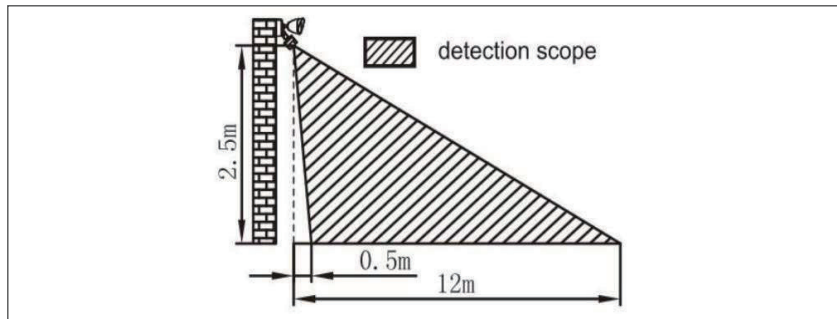
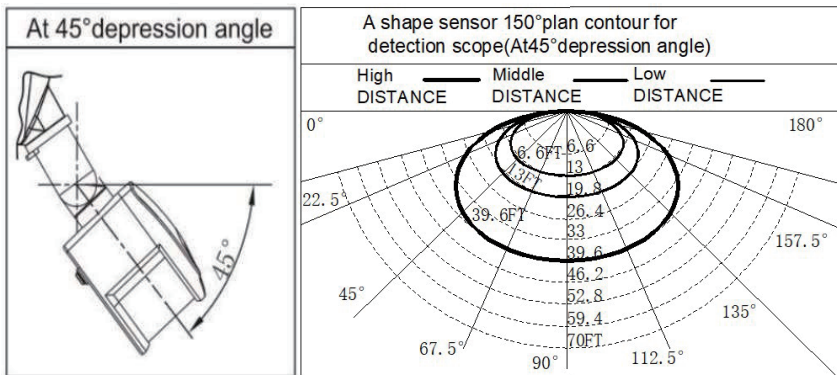
SETTING THE MOTION SENSOR DETECTION RANGE

1. Adjustment for the detection range.

The sensor can be adjusted clockwise or counterclockwise per requirement, the max can be reached 45°, for the purpose of changing the detection range.

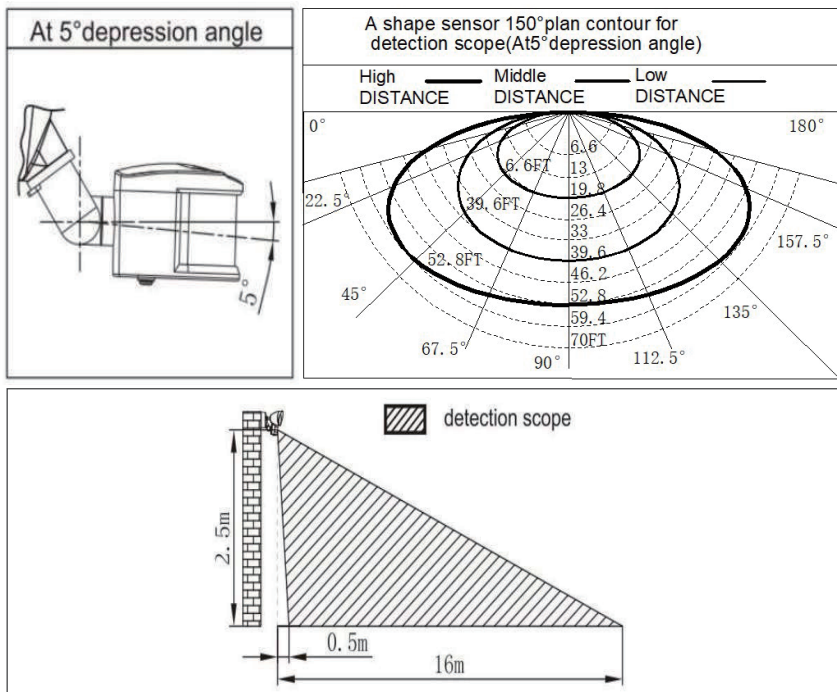


2. When mounting at 45° depression angle will shorten the detection distance, see below picture.



SETTING THE MOTION SENSOR DETECTION RANGE

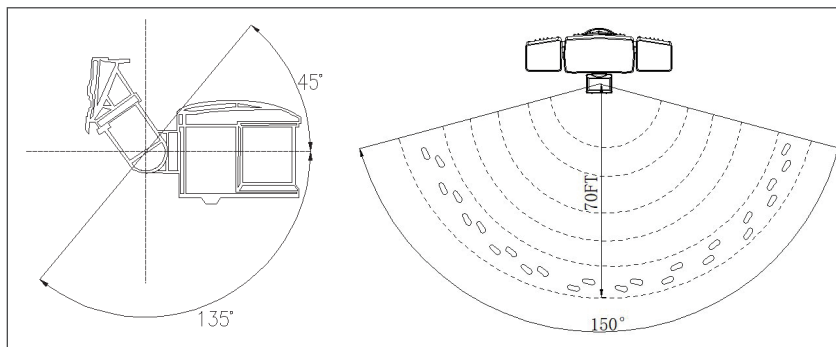
3. When mounting at 5° depression angle will shorten the detection distance, see below picture.



4. Adjustment and setting for the detection distance.

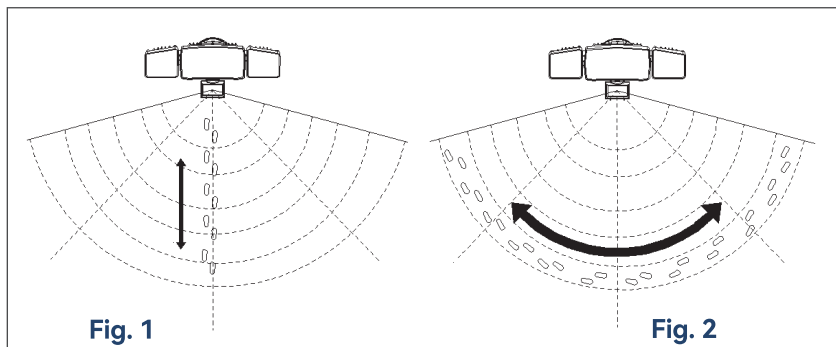
As shown in the picture 1 (schematic diagram of the max detection range). The sensor can be adjusted up 90° or down 100°. When fixture installed on the vertical wall, adjust the sensor to different degree can change the detection distance. Normally, when install the sensor at 5° depression angle, the detection distance is the largest. The detection distance and sensitivity will be changed if mounting height is different.

SETTING THE MOTION SENSOR DETECTION RANGE



5. Instruction for setting motion sensor detection range.

1. To determine the detection range of motion sensor need to perform a simulation test: Walking around the motion sensor, if the light lighted up, that's means motion has been detected and give out lighting signal. Stop walking and wait for the light to turn off, then begin walking again.
2. The motion sensor is less sensitive if in a radial movement, half range of max detection distance, As shown below. (pic 1)
3. The motion sensor is more sensitive if in a lateral movement. As shown below. (pic 2)



After Sales Service

1. Please stop using the product immediately if the product shows any visible defect and contact customer service.
2. If there is any problem with the recessed lighting for non-human reasons, please reach out to customer support. We will send you a brand-new replacement without the need of returning the original product or a full refund.
3. If you are not completely satisfied with the product after installation but prefer not to disassemble, get in touch with our customer support right away and we provide comparable compensations.



GET MORE SUPPORT

Should you experience any issues while operating any of our products, you can directly reach out to our Customer Support via Amazon Orders. Or you can send your inquiry to our Official Customer Support at:

 support@amicolight.com

 +1(626)313-9318 Monday - Friday from 9:00AM - 5:00PM (PT)

MADE IN CHINA