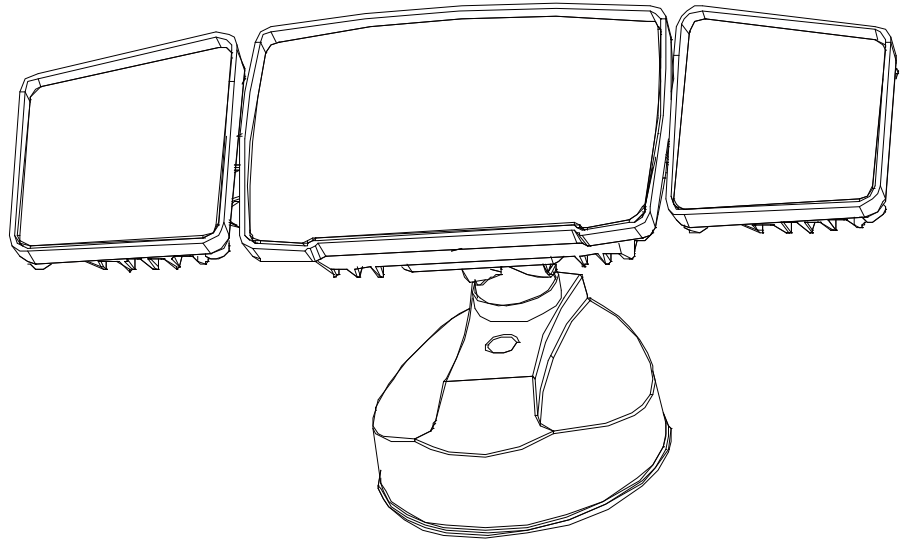


# INSTRUCTION MANUAL

## LED Security Flood Light



### SAFETY INFORMATION

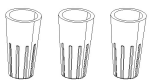
**IMPORTANT:** Read all safety precautions and installation instructions carefully before installing

- ◆ Do not handle any energized fixture or attempt to energize any fixture with wet hand or while standing on a wet or damp surface or in water.
- ◆ The fixture is designed for use in a 120VAC, 60Hz . Do not use DC power.
- ◆ Do not look inside the lights.
- ◆ This product can be used in garages, outdoor wall

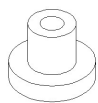
**WARNING:IF NOT FOLLOW THESE INSTRUCTION MAY LEAD TO A POTENTIALLY FATAL ELECTRICAL SHOCK OR PROPERTY DAMAGE**

### PRE-INSTALLATION

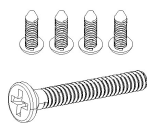
#### HARDWARE INCLUDED



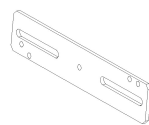
Wire Nut



Rubber



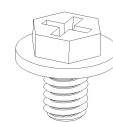
Fix screw



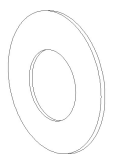
Mounting bracket



Ground wire



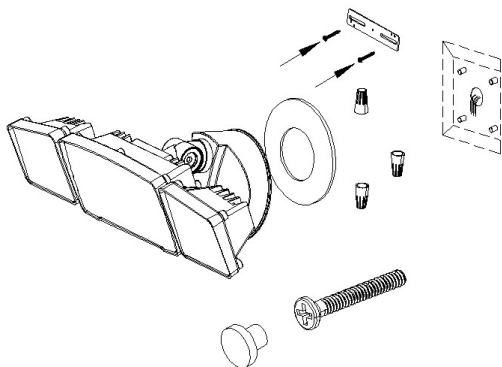
Green Screw



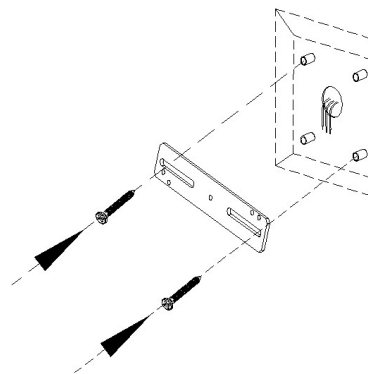
EVA

# INSTALLATION

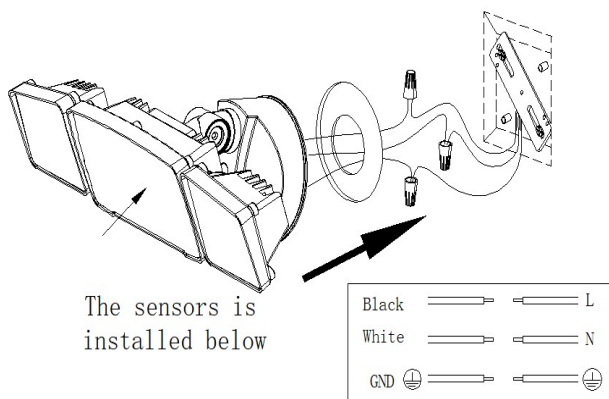
1. Installation parts display.



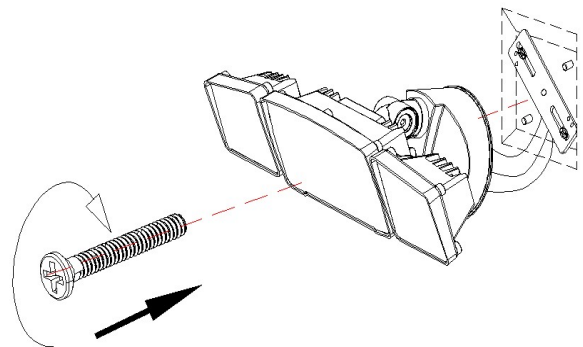
2. Mounting bracket to wall connection box.



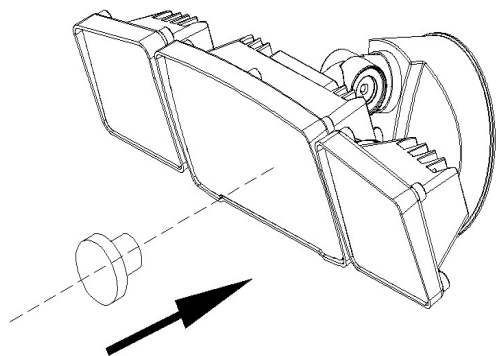
3. The wire pass through EVA pad, and use spiral connector connect the junction box wire.



4. Lamp body is aligned with the hole on the bracket of the junction box, and use screw fixed in the middle of the bottom box.



5. Plug the hole with a rubber plug, waterproof and dust proof.



6. refer to the picture below: relax the screws, Adjust the heads of the lights to the direction you want. and then tight the screws.

