



SPRENGER

**PART
OF YOUR
PASSION.**



Herrn. Sprenger

**HANDCRAFTED FOR BOAT SPORTS
SINCE 1872**



OUR BENEFITS



- Made in Germany – manufactured in the Iserlohn facility
- Wide range of innovative and functional products
- Excellent price-performance ratio
- Product development with professionals from research, design and sport
- Very good results in tests in leading trade magazines
- Constant quality checks before, during and after production
- Tested merchandise for useful additions to the programme
- Advice and service - even after the purchase
- Almost all articles available from stock
- Shipping on the same working day

Herrn. Sprenger

HANDCRAFTED FOR BOAT SPORTS
SINCE 1872



CONTACTS

SVEA HÜLSTEDE
KEY ACCOUNT MANAGER
huelstede@sprenger.de
Phone +49(0) 2371 9559-983
Mobil +49 (0) 173 52 22 212

ANDREAS KRETZ
SALES
kretz@sprenger.de
Phone +49(0) 2371 9559-985

CARSTEN SCHOLZ
SALES MANAGER
carsten.scholz@sprenger.de
Phone+49(0) 2371 9559-980

DAMIAN LELLEK
KEY ACCOUNT MANAGER
lellek@sprenger.de
Phone +49(0) 2371 9559-984
Mobil +49 (0) 178 46 63 153

ANITA VÖLZKE
SALES
voelzke@sprenger.de
Phone +49(0) 2371 9559-981



SET SAILS

WE SET STANDARDS – FOR OVER 150 YEARS ALREADY

The philosophy of Herm. Sprenger Metallwarenfabrik GmbH & Co. KG is and has always been to manufacture products of excellent quality, ensuring the best quality for boat and sailor.

This claim is evident in the selection of our raw materials: We use only high quality materials and components to provide our customers with reliable and highly durable products. This is accomplished through a steady, careful and

professional production process by highly trained staff. As well as a permanent quality and consolidation control after every completed stage of production at our in-house test facility. Quality and material checks are performed regularly with professional athletes and universities to ensure our products are at their optimal performance and to improve them continually. Innovative special orders for new applications are available. Product requirements

are implemented optimally and consistently in agreement with the customer and added with our own ideas.

All products marked with the HS logo are manufactured in Iserlohn at the location of production and stand for quality »Made in Germany«. Today, Herm. Sprenger GmbH has grown into an internationally successful fourth/fifth generation family-run company with about 160 employees.



ADVANTAGES OF THE S-BLOCK-SERIES



MADE IN GERMANY



Optimized rope guidance by curved cheek parts

Cheek of glass fibre reinforced polyamide (UV-resistant)

Continuous strap of stainless steel for more security and stability

Identification of the bearing in the enhancing strap (yellow = sliding bearing)

Marking of the maximum rope \emptyset

Wobble riveting avoids sharp burrs on the rivet head

03 COLOURS FOR DIFFERENT DEMANDS:



SLIDING BEARING

- heavy-duty sliding bearing (yellow)
- breaking load: min. 600 kg
- working load: min. 300 kg
- especially suitable for standing loads



BALL BEARING

- easily running plastic ball bearing (red)
- breaking load: min. 600 kg
- working load: min. 150 kg
- especially suitable for slightly veering



NEEDLE BEARING

- low-friction needle bearing - Stainless steel (blue)
- breaking load: min. 600 kg
- working load: min. 300 kg
- easily running even with high loads

BLOCKS

8 - 71

8 mm S-Blockseries



8 - 11

10 mm S-Blockseries



12 - 14

12 mm S-Blockseries



15 - 18

6-10 mm Ratchet Blocks



19

14 mm Sliding bearing blocks



20 - 21

Ball bearing base



22 - 23

Micro XS blocks



24 - 28

Sliding bearing blocks



29 - 33

Cheek blocks



34 - 35

Mast cheek blocks



36

Foot blocks



37

Upright blocks



38 - 40

Industry blocks



41 - 43

Special blocks



44 - 45

Stanchion blocks



46

Trapeze rings



47

Blocks for wire



48 - 51

High load blocks



52 - 54

Springs



55

Sheaves



56 - 57

Low Friction Ring



58

Rope shackles



59

Tackles



60 - 61

OLD
BLOCK
SERIES

62 - 71

CAM CLEATS

72 - 75

Cam cleats & accessories



72 - 75

TRACKS & SLIDES

76 - 87

20x3



76 - 78

25x4



79 - 80

32x6



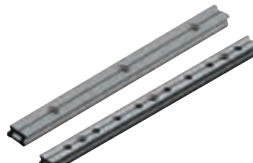
81

Self-tacking-jib-set system



82

Traveller



83

Traveller Boat Runner



84 - 87

TILLER EXTENSION

88 - 91

Tiller extension - fixed joint



88 - 89

Tiller extension - Telescopic



90

Accessories



91

ALONG THE HULL

92 - 95

ANDERSEN Bailer



92 - 93

Buoyancy bag & Bailer balls



94

Course Keeper



95

ON DECK

96 - 101

Fairleads



96 - 97

Eye- & U-Bolts



98

Eye bolts & Ring screws



99

various deck fittings



100 - 101

ANCHORING & DOCKING

102 - 111

Anchor, Anchor Chain Connector & Shock Absorber



102 - 103

Boat hooks & hook holders



104 - 105

Cleats & clamps



106 - 108

MAJONI fenders



109 - 111

MOUNTING

112 - 127

Snap hooks



112 - 113

Shackles



114 - 119

Swivels



120 - 122

Strap hinges



123 - 125

Eye- & u-bolts



126

Hooks & rings



127

AROUND THE RIG

128 - 141

Chain plate



128 - 129

Shroud adjuster



130 - 131

Turnbuckles



132 - 133

Terminals



134

Bow plates



135

Sheet rings



136

Rubber ropes & sail embedders



138 - 140

Wind indicator



141

HOODS

142 - 145

Folding top fittings



142 - 144

Tarpaulin steel



145

ACCES- SORIES

146 - 155

Gloves



146 - 147

Winch Bit



148

Prop Spray



149

FlexDry



150

Jackline



151

WICHARD sailing knives



152

Keel rollers



153

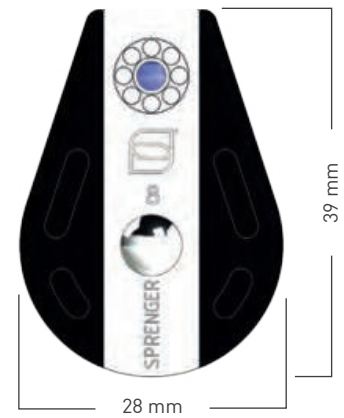
Acces-
sories



154 - 155

S-BLOCK SERIES - for 8 mm rope

- optimal guidance of the dew due to specially shaped side parts
- dimensionally stable, continuous stainless steel tab for more safety and stability
- indication of the max. rope thickness in the reinforcement lug and identification of the bearing type by colored dot
plain bearing (yellow), ball bearing (red), needle bearing (blue)
- wobble riveting prevents sharp burrs on the rivet head
- side parts made of high quality glass fiber reinforced plastic (UV resistant)
- compact design, low overall height
- Made in Germany



Block with through-bow



Amount of sheaves: 1 **B1:** 18 mm
Rope: 8 mm Ø **H1:** 52 mm
360° rotatable: No
Material sheaves: Plastic
Sheave: 27 x 11.5 mm

Article number	Working load [kg]	Breaking load [kg]	Weight [g]	Bearing
35650 100 55	300	600	31	
35650 300 55	300	600	35	
35650 600 55	150	600	27	



Block with swivel



Amount of sheaves: 1 **B1:** 18 mm
Rope: 8 mm Ø **H1:** 65 mm
360° rotatable: Yes
Material sheaves: Plastic
Sheave: 27 x 11.5 mm

Article number	Working load [kg]	Breaking load [kg]	Weight [g]	Bearing
35650 200 00	300	600	37	
35650 400 00	300	600	40	
35650 700 00	150	600	34	



Block with adjustment set



Amount of sheaves: 1 **B1:** 18 mm
Rope: 8 mm Ø **H1:** 65 mm
360° rotatable: Yes
Material sheaves: Plastic
Sheave: 27 x 11.5 mm

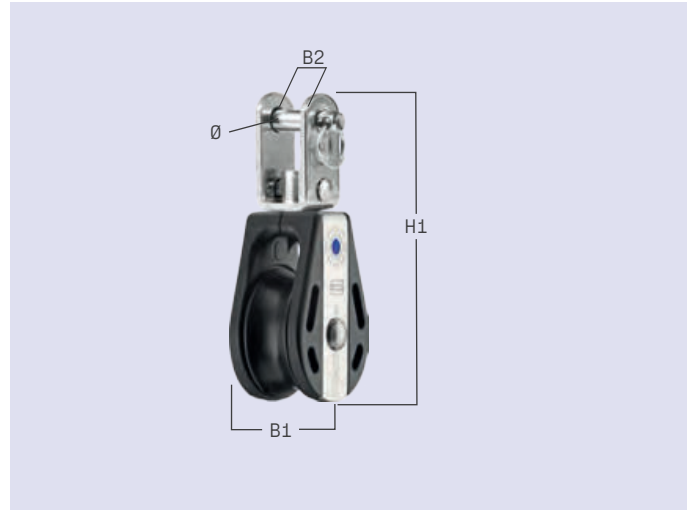
Article number	Working load [kg]	Breaking load [kg]	Weight [g]	Bearing
35657 200 00	300	600	39	
35657 400 00	300	600	44	
35657 700 00	150	600	45	

Block with U-swivel



Amount of sheaves: 1 **B1:** 18 mm
 Rope: 8 mm Ø **B2:** 10 mm
 Sheave: 27 x 11.5 mm **H1:** 66 mm
 Material sheaves: Plastic **Ø:** 5 mm
 360° rotatable: Yes

Article number	Working load [kg]	Breaking load [kg]	Weight [g]	Bearing
35650 450 55	300	600	49	

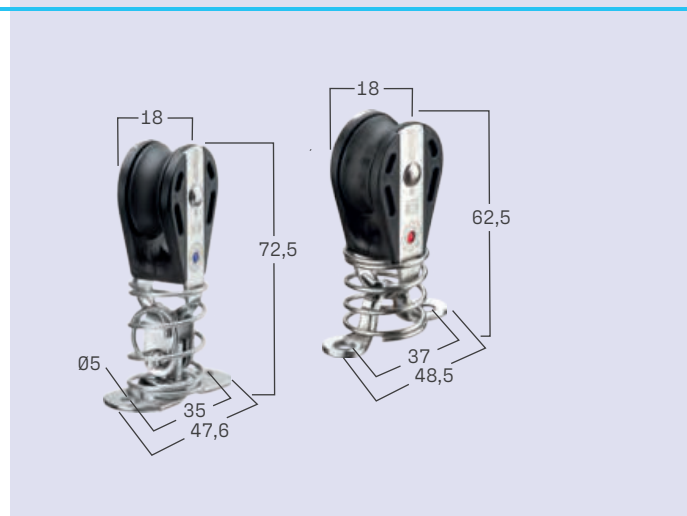


Upright block with spring



Amount of sheaves: 1
 Rope: 8 mm Ø
 Material sheaves: Plastic
 Sheave: 27 x 11.5 mm

Article number	Working load [kg]	Breaking load [kg]	Weight [g]	360° rot.	Feature	Bearing
35680 400 00	300	600	71	Yes	Rotary plate	
35681 000 55	150	600	45	No	Fairlead	

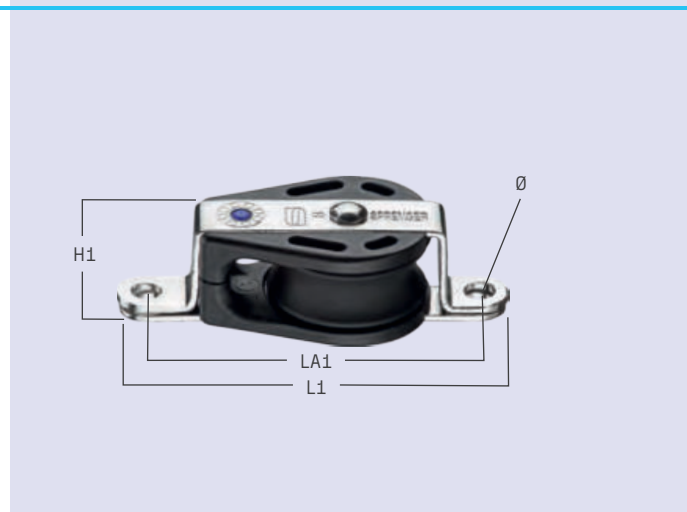


Cheek block



Amount of sheaves: 1 **H1:** 18 mm
 Rope: 8 mm Ø **L1:** 64 mm
 360° rotatable: No **LA1:** 56 mm
 Material sheaves: Plastic **Ø:** 5 mm
 Sheave: 27 x 11.5 mm

Article number	Working load [kg]	Breaking load [kg]	Weight [g]	Bearing
35656 300 55	300	600	40	
35656 600 55	150	600	36	



Block with through-bow, Becket (removable)



Amount of sheaves: 1 **B1:** 18 mm
 Rope: 8 mm Ø **H1:** 68 mm
 360° rotatable: No
 Material sheaves: Plastic
 Sheave: 27 x 11.5 mm

Article number	Working load [kg]	Breaking load [kg]	Weight [g]	Bearing
35653 100 55	300	600	37	
35653 300 55	300	600	41	
35653 600 55	150	600	34	





Block with swivel, Becket (removable)



Amount of sheaves: 1 **B1:** 18 mm
 Rope: 8 mm Ø **H1:** 81 mm
 360° rotatable: Yes
 Material sheaves: Plastic
 Sheave: 27 x 11.5 mm

Article number	Working load [kg]	Breaking load [kg]	Weight [g]	Bearing
35653 200 00	300	600	48	
35653 400 00	300	600	47	
35653 700 00	150	600	40	



Block with bow



Amount of sheaves: 2 **B1:** 18 mm
 Rope: 8 mm Ø **H1:** 100 mm
 Sheave: 27 x 11.5 mm
 Material sheaves: Plastic
 Type of blocks: Traveller block (double block)
 360° rotatable: No

Article number	Working load [kg]	Breaking load [kg]	Weight [g]	Bearing
35675 900 55	150	600	55	



Double block with adjustment set



Amount of sheaves: 2 **B1:** 36 mm
 Rope: 8 mm Ø **H1:** 79 mm
 360° rotatable: Yes
 Material sheaves: Plastic
 Sheave: 27 x 11.5 mm

Article number	Working load [kg]	Breaking load [kg]	Weight [g]	Bearing
35651 200 00	300	600	92	
35651 400 00	300	600	100	
35651 700 00	150	600	84	



Double block with adjustment set, becket (removable)



Amount of sheaves: 2 **B1:** 36 mm
 Rope: 8 mm Ø **H1:** 95 mm
 360° rotatable: Yes
 Material sheaves: Plastic
 Sheave: 27 x 11.5 mm

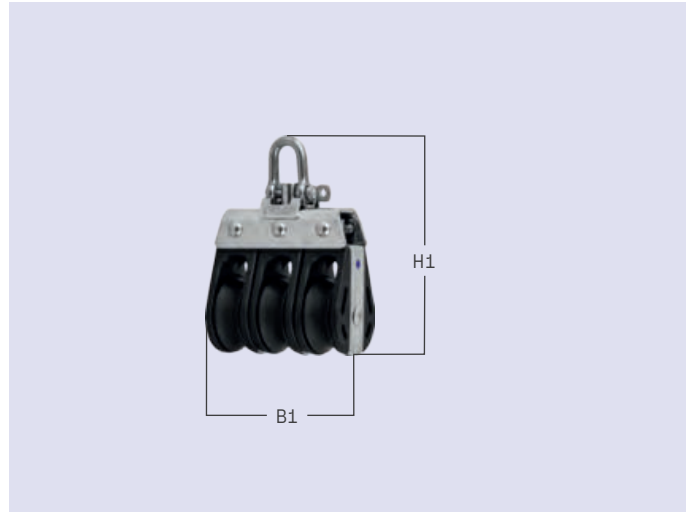
Article number	Working load [kg]	Breaking load [kg]	Weight [g]	Bearing
35654 200 00	300	600	98	
35654 400 00	300	600	106	
35654 700 00	150	600	91	

Triple block with adjustment set



Amount of sheaves: 3 **B1:** 54 mm
 Rope: 8 mm Ø **H1:** 78 mm
 360° rotatable: Yes
 Material sheaves: Plastic
 Sheave: 27 x 11.5 mm

Article number	Working load [kg]	Breaking load [kg]	Weight [g]	Bearing
35652 200 00	300	600	131	
35652 400 00	300	600	140	
35652 700 00	150	600	119	



Triple block with adjustment set, becket (removable)



Amount of sheaves: 3 **B1:** 54 mm
 Rope: 8 mm Ø **H1:** 94 mm
 360° rotatable: Yes
 Material sheaves: Plastic
 Sheave: 27 x 11.5 mm

Article number	Working load [kg]	Breaking load [kg]	Weight [g]	Bearing
35655 200 00	300	600	137	
35655 400 00	300	600	148	
35655 700 00	150	600	125	

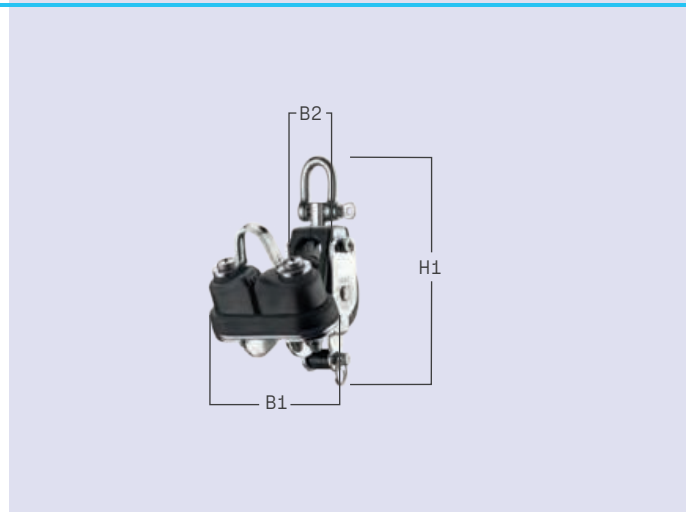


Mainsheet block with becket (removable), cam cleat, swivel



Amount of sheaves: 1 **B1:** 52 mm
 Rope: 8 mm Ø **B2:** 18 mm
 360° rotatable: Yes **H1:** 81 mm
 Material sheaves: Plastic
 Sheave: 27 x 11.5 mm

Article number	Working load [kg]	Breaking load [kg]	Weight [g]	Bearing
35670 290 00	300	600	120	
35670 490 00	300	600	122	
35670 790 00	150	600	116	

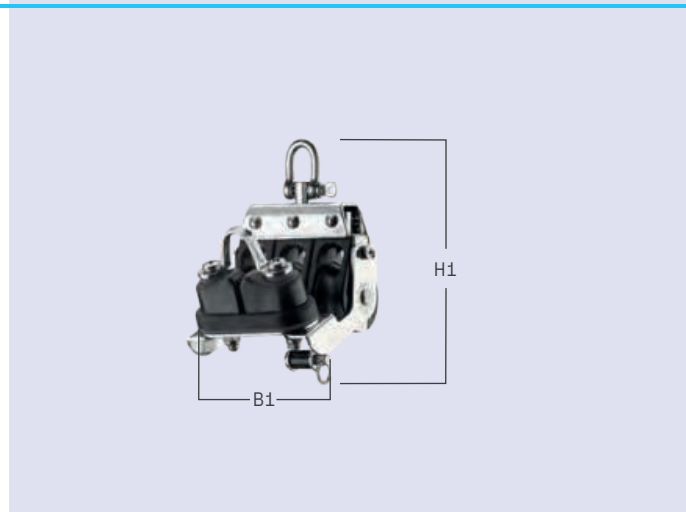


Mainsheet block with becket (removable), cam cleat



Amount of sheaves: 3 **B1:** 57 mm
 Rope: 8 mm Ø **H1:** 94 mm
 360° rotatable: Yes
 Material sheaves: Plastic
 Sheave: 27 x 11.5 mm

Article number	Working load [kg]	Breaking load [kg]	Weight [g]	Bearing
35671 290 00	300	600	214	
35671 490 00	300	600	223	
35671 790 00	150	600	202	



S-BLOCK SERIES - for 10 mm rope

- optimal guidance of the dew due to specially shaped side parts
- dimensionally stable, continuous stainless steel tab for more safety and stability
- indication of the max. rope thickness in the reinforcement lug and identification of the bearing type by colored dot
plain bearing (yellow) and needle bearing (blue)
- wobble riveting prevents sharp burrs on the rivet head
- side parts made of high quality glass fiber reinforced plastic (UV resistant)
- compact design, low overall height
- made in Germany



Block with through-bow



Amount of sheaves: 1 **B1:** 21.5 mm
 Rope: 10 mm Ø **H1:** 78 mm
 360° rotatable: No
 Material sheaves: Plastic
 Sheave: 40 x 14.2 mm

Article number	Working load [kg]	Breaking load [kg]	Weight [g]	Bearing
35650 101 55	360	900	62	
35650 301 55	360	900	68	



Block with swivel (lockable)



Amount of sheaves: 1 **B1:** 21.5 mm
 Rope: 10 mm Ø **L1:** 93 mm
 360° rotatable: Yes
 Material sheaves: Plastic
 Sheave: 40 x 14.2 mm

Article number	Working load [kg]	Breaking load [kg]	Weight [g]	Bearing
35650 201 00	360	900	85	
35650 401 00	360	900	91	



Block with through-bow, becket (removable)



Amount of sheaves: 1 **B1:** 21.5 mm
 Rope: 10 mm Ø **H1:** 100 mm
 360° rotatable: No
 Material sheaves: Plastic
 Sheave: 40 x 14.2 mm

Article number	Working load [kg]	Breaking load [kg]	Weight [g]	Bearing
35653 101 55	360	900	73	
35653 301 55	360	900	78	

Block with swivel (lockable), becket (removable)



Amount of sheaves: 1 **B1:** 21.5 mm
 Rope: 10 mm Ø **H1:** 115 mm
 360° rotatable: Yes
 Material sheaves: Plastic
 Sheave: 40 x 14.2 mm

Article number	Working load [kg]	Breaking load [kg]	Weight [g]	Bearing
35653 201 00	360	900	97	
35653 401 00	360	900	102	

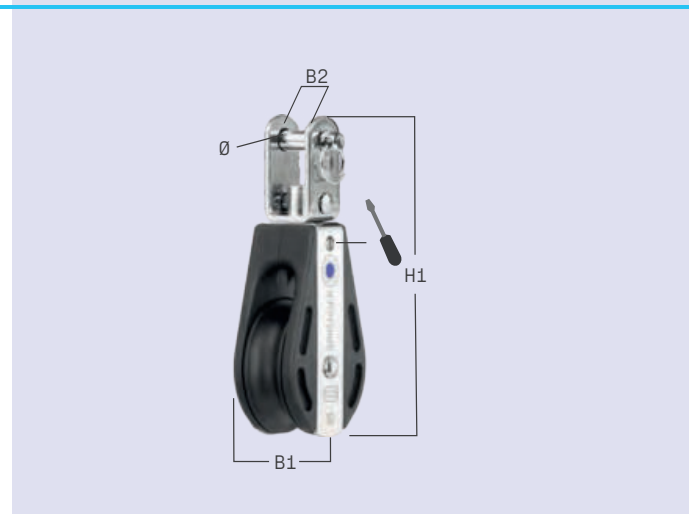


Block with u-swivel (lockable)



Amount of sheaves: 1 **B1:** 21.5 mm
 Rope: 10 mm Ø **B2:** 13 mm
 Sheave: 40 x 14.2 mm **H1:** 93 mm
 Material sheaves: Plastic **Ø:** 5 mm
 360° rotatable: Yes
 Feature: U-swivel (lockable)

Article number	Working load [kg]	Breaking load [kg]	Weight [g]	Bearing
35650 451 55	360	900	98	



Double block with bow



Amount of sheaves: 2 **B1:** 43 mm
 Rope: 10 mm Ø **H1:** 93.5 mm
 360° rotatable: No
 Material sheaves: Plastic
 Sheave: 40 x 14.2 mm

Article number	Working load [kg]	Breaking load [kg]	Weight [g]	Bearing
35651 101 55	440	1,100	180	
35651 301 55	440	1,100	191	



Double block with bow, becket (removable)



Amount of sheaves: 2 **B1:** 43 mm
 Rope: 10 mm Ø **H1:** 116 mm
 360° rotatable: No
 Material sheaves: Plastic
 Sheave: 40 x 14.2 mm

Article number	Working load [kg]	Breaking load [kg]	Weight [g]	Bearing
35654 101 55	440	1,100	191	
35654 301 55	440	1,100	202	





Triple block with bow



Amount of sheaves: 3 **B1:** 64.5 mm
 Rope: 10 mm Ø **H1:** 93.5 mm
 360° rotatable: No
 Material sheaves: Plastic
 Sheave: 40 x 14.2 mm

Article number	Working load [kg]	Breaking load [kg]	Weight [g]	Bearing
35652 101 55	500	1,250	262	
35652 301 55	500	1,250	280	



Triple block with bow, becket (removable)



Amount of sheaves: 3 **B1:** 64.5 mm
 Rope: 10 mm Ø **H1:** 116 mm
 360° rotatable: No
 Material sheaves: Plastic
 Sheave: 40 x 14.2 mm

Article number	Working load [kg]	Breaking load [kg]	Weight [g]	Bearing
35655 101 55	500	1,250	274	
35655 301 55	500	1,250	292	



Mainsheet block with becket (removable), cam cleat, swivel



Amount of sheaves: 1 **B1:** 21.5 mm
 Rope: 10 mm Ø **H1:** 115 mm
 360° rotatable: Yes
 Material sheaves: Plastic
 Sheave: 40 x 14.2 mm

Article number	Working load [kg]	Breaking load [kg]	Weight [g]	Bearing
35670 291 00	360	900	220	
35670 491 00	360	900	226	



Mainsheet block with becket (removable), cam cleat, swivel

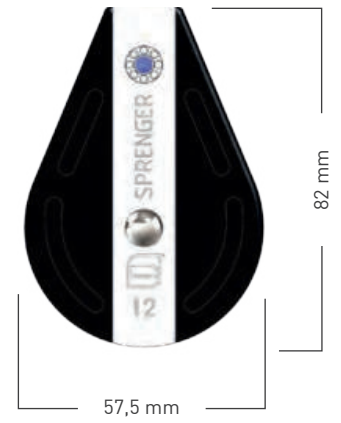


Amount of sheaves: 3 **B1:** 64.5 mm
 Rope: 10 mm Ø **H1:** 115 mm
 360° rotatable: Yes
 Material sheaves: Plastic
 Sheave: 40 x 14.2 mm

Article number	Working load [kg]	Breaking load [kg]	Weight [g]	Bearing
35671 291 00	500	1,250	413	
35671 491 00	500	1,250	429	

S-BLOCK SERIES - for 12 mm rope

- optimal guidance of the dew due to specially shaped side parts
- dimensionally stable, continuous stainless steel tab for more safety and stability
- indication of the max. rope thickness in the reinforcement lug and identification of the bearing type by colored dot plain bearing (yellow) and needle bearing (blue)
- wobble riveting prevents sharp burrs on the rivet head
- side parts made of high quality glass fiber reinforced plastic (UV resistant)
- compact design, low overall height
- Made in Germany



Block with through-bow



Amount of sheaves: 1 B1: 26 mm
 Rope: 12 mm Ø H1: 101 mm
 360° rotatable: No
 Material sheaves: Plastic
 Sheave: 57 x 16.2 mm

Article number	Working load [kg]	Breaking load [kg]	Weight [g]	Bearing
35650 102 55	460	1,200	113	
35650 302 55	460	1,200	121	



Block with swivel (lockable)



Amount of sheaves: 1 B1: 26 mm
 Rope: 12 mm Ø H1: 113 mm
 360° rotatable: Yes
 Material sheaves: Plastic
 Sheave: 57 x 16.2 mm

Article number	Working load [kg]	Breaking load [kg]	Weight [g]	Bearing
35650 202 00	460	1,200	141	
35650 402 00	460	1,200	148	



Block with through-bow, becket (removable)



Amount of sheaves: 1 B1: 26 mm
 Rope: 12 mm Ø H1: 127 mm
 360° rotatable: No
 Material sheaves: Plastic
 Sheave: 57 x 16.2 mm

Article number	Working load [kg]	Breaking load [kg]	Weight [g]	Bearing
35653 102 55	460	1,200	129	
35653 302 55	460	1,200	137	





Block with swivel (lockable), becket (removable)



Amount of sheaves: 1 B1: 26 mm
 Rope: 12 mm Ø H1: 139 mm
 360° rotatable: Yes
 Material sheaves: Plastic
 Sheave: 57 x 16.2 mm

Article number	Working load [kg]	Breaking load [kg]	Weight [g]	Bearing
35653 202 00	460	1,200	156	
35653 402 00	460	1,200	163	



Block with u-swivel (lockable)



Amount of sheaves: 1 B1: 26 mm
 Rope: 12 mm Ø B2: 14 mm
 Sheave: 57 x 16.2 mm H1: 114 mm
 Material sheaves: Plastic Ø: 6 mm
 360° rotatable: Yes

Article number	Working load [kg]	Breaking load [kg]	Weight [g]	Bearing
35650 452 55	460	1,200	159	



Fiddle block through-bow



Amount of sheaves: 2 B1: 26 mm
 Rope: 12 mm Ø H1: 141 mm
 360° rotatable: No
 Material sheaves: Plastic
 Sheave: 29 x 16.2 mm
 57 x 16.2 mm

Article number	Working load [kg]	Breaking load [kg]	Weight [g]	Bearing
35656 102 55	560	1,400	168	
35656 302 55	560	1,400	181	



Fiddle block through-bow, becket (removable)



Amount of sheaves: 2 B1: 26 mm
 Rope: 12 mm Ø H1: 167 mm
 360° rotatable: No
 Material sheaves: Plastic
 Sheave: 29 x 16.2 mm
 57 x 16.2 mm

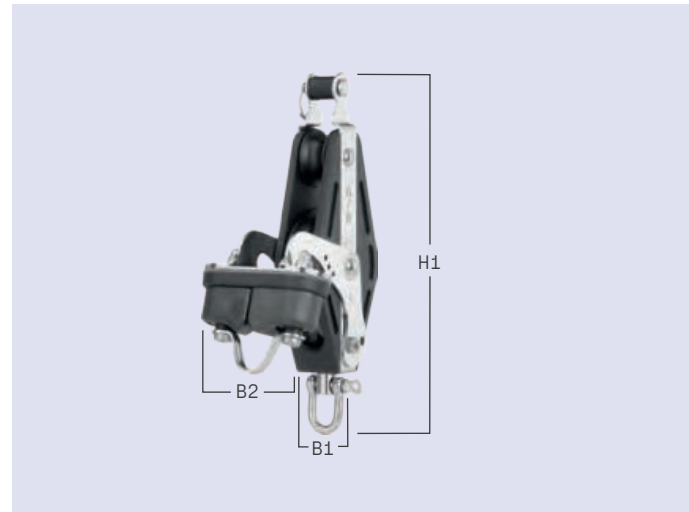
Article number	Working load [kg]	Breaking load [kg]	Weight [g]	Bearing
35656 112 55	560	1,400	183	
35656 312 55	560	1,400	197	

Mainsheet block fiddle block, becket (removable), swivel



Amount of sheaves: 2 **B1:** 26 mm
 Rope: 12 mm Ø **B2:** 69 mm
 360° rotatable: Yes **H1:** 181 mm
 Material sheaves: Plastic
 Sheave: 29 x 16.2 mm
 57 x 16.2 mm

Article number	Working load [kg]	Breaking load [kg]	Weight [g]	Bearing
35657 292 00	560	1,400	345	
35657 492 00	560	1,400	360	

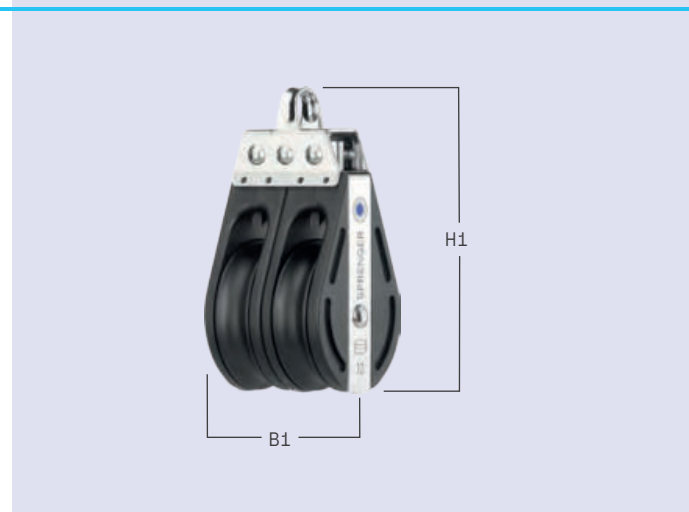


Double block with bow



Amount of sheaves: 2 **B1:** 52 mm
 Rope: 12 mm Ø **H1:** 113 mm
 360° rotatable: No
 Material sheaves: Plastic
 Sheave: 57 x 16.2 mm

Article number	Working load [kg]	Breaking load [kg]	Weight [kg]	Bearing
35651 102 55	510	1,300	296	
35651 302 55	510	1,300	309	

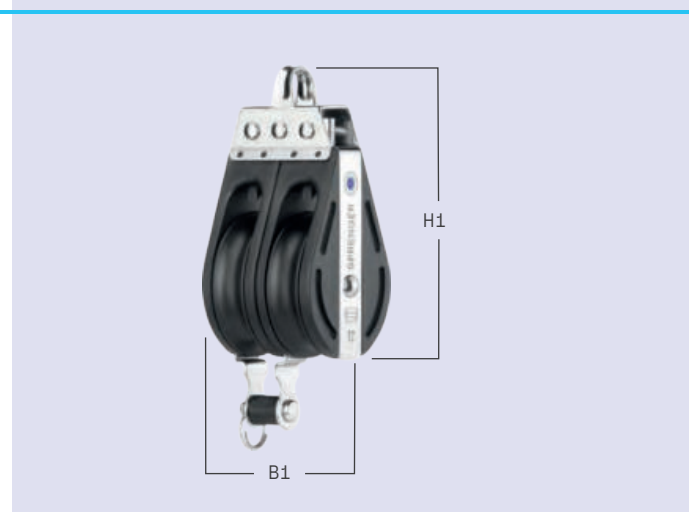


Double block with bow, becket (removable)



Amount of sheaves: 2 **B1:** 52 mm
 Rope: 12 mm Ø **H1:** 140 mm
 360° rotatable: No
 Material sheaves: Plastic
 Sheave: 57 x 16.2 mm

Article number	Working load [kg]	Breaking load [kg]	Weight [g]	Bearing
35654 102 55	510	1,300	319	
35654 302 55	510	1,300	325	

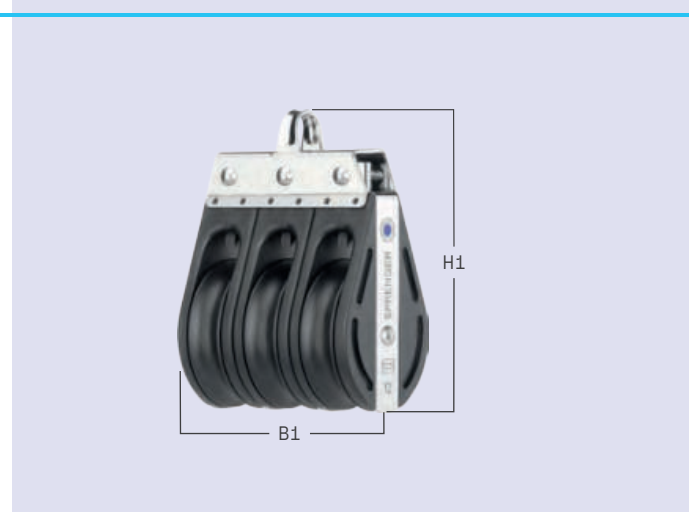


Triple block with bow



Amount of sheaves: 3 **B1:** 78 mm
 Rope: 12 mm Ø **H1:** 113 mm
 360° rotatable: No
 Material sheaves: Plastic
 Sheave: 57 x 16.2 mm

Article number	Working load [kg]	Breaking load [kg]	Weight [kg]	Bearing
35652 102 55	560	1,400	436	
35652 302 55	560	1,400	456	



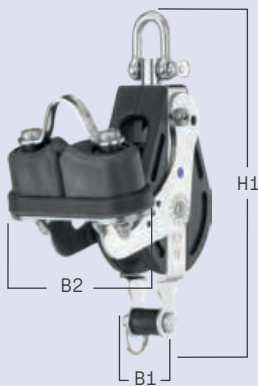


Triple block with bow, becket (removable)



Amount of sheaves: 3 **B1:** 78 mm
 Rope: 12 mm Ø **H1:** 140 mm
 360° rotatable: No
 Material sheaves: Plastic
 Sheave: 57 x 16.2 mm

Article number	Working load [kg]	Breaking load [kg]	Weight [g]	Bearing
35655 102 55	560	1,400	453	
35655 302 55	560	1,400	471	

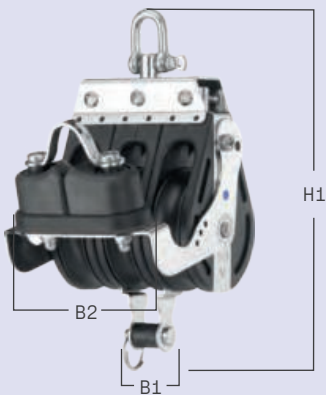


Main sheet block with becket (removable), cam cleat, swivel



Amount of sheaves: 1 **B1:** 26 mm
 Rope: 12 mm Ø **B2:** 69 mm
 360° rotatable: Yes **H1:** 139 mm
 Material sheaves: Plastic
 Sheave: 57 x 16.2 mm

Article number	Working load [kg]	Breaking load [kg]	Weight [g]	Bearing
35670 292 00	460	1,200	294	
35670 492 00	460	1,200	300	



Main sheet block with becket (removable), cam cleat, swivel



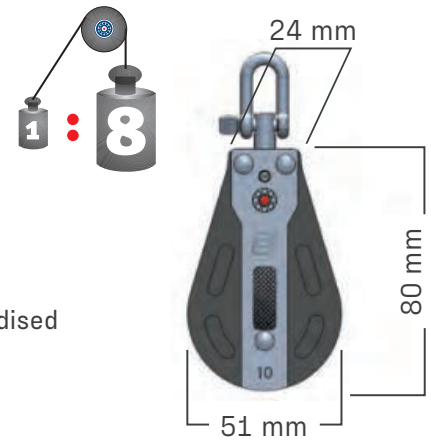
Amount of sheaves: 3 **B1:** 78 mm
 Rope: 12 mm Ø **B2:** 81 mm
 360° rotatable: Yes **H1:** 154 mm
 Material sheaves: Plastic
 Sheave: 57 x 16.2 mm

Article number	Working load [kg]	Breaking load [kg]	Weight [g]	Bearing
35671 292 00	560	1,400	598	
35671 492 00	560	1,400	614	



RATCHET BLOCKS - for 6-10 mm rope

- smooth-running Delrin ball bearing (red point = ball bearing) in the outer collar and enhancing strap of stainless steel
- Function: free-running or ratcheting
- marking of the maximum rope Ø in the enhancing strap
- wobble riveting avoids sharp burrs at the rivet head
- cheek parts of high quality UV-resistant plastic and sheaves made of hard anodised aluminum
- sheaves of specially coated aluminum and Shackle swiveling or fixable
- low weight and excellent price/performance ratio



Ratchet block right ratcheting, swivel



Amount of sheaves: 1
 Rope: 6 - 10 mm Ø
 Sheave: 51 x 13 mm
 Working load: 225 kg
 Breaking load: 900 kg
 Material sheaves: Aluminum
 360° rotatable: Yes

Article number	Weight [g]	Bearing	B1 [mm]	H1 [mm]
35360 710 55	133		22	114

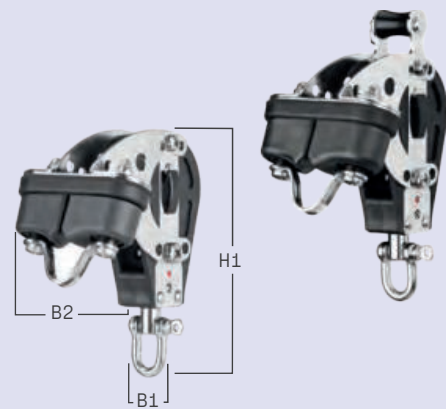


Ratchet block swivel, cam cleat



Amount of sheaves: 1
 Rope: 6 - 10 mm Ø
 360° rotatable: Yes
 Material sheaves: Aluminum
 Sheave: 51 x 13 mm
 Working load: 225 kg
 Breaking load: 900 kg

Article number	Weight [g]	Feature	Bearing	B1 [mm]	B2 [mm]	H1 [mm]
35370 710 55	284	-		22	69	117
35371 710 55	287	Becket (removable)		22	69	138

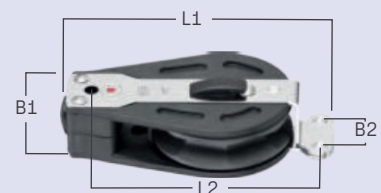


Cheek block



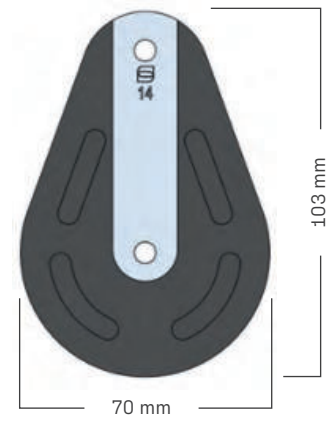
Amount of sheaves: 1
 Rope: 6 - 10 mm Ø
 360° rotatable: No
 Material sheaves: Aluminum
 Sheave: 51 x 13 mm
 Working load: 225 kg
 Breaking load: 900 kg

Article number	Weight [g]	Addition	Bearing	B1 [mm]	B2 [mm]	L1 [mm]	L2 [mm]	Ø [mm]
35380 710 55	110	portside		22	16	98	81	5
35381 710 55	110	starboard		22	16	98	81	5



SLIDING BEARING BLOCKS - for 14 mm rope

- strongly loadable full plastic sliding bearing with enhancing strap made of stainless steel and additional bearing bush to avoid corrosion
- marking of the maximum rope \varnothing in the enhancing strap
- wobble riveting avoids sharp burrs at the rivet head
- cheek parts and sheaves of high quality UV-resistant plastic
- u-bolt/swivel riveted for strength reasons
- low weight and excellent price/performance ratio
- made in Germany



Block with bow / swivel



Amount of sheaves: 1 B1: 30 mm
 Rope: 14 mm \varnothing
 Sheave: 70 x 18 mm
 Working load: 625 kg
 Breaking load: 2,500 kg

Article number	Weight [g]	Material sheaves	360° rotatable	Feature	Bearing	H1 [mm]
35250 104 55	207	Plastic	No	Bow		122
35250 114 55	294	Aluminum	No	Bow		122
35250 204 55	301	Plastic	Yes	Swivel		159
35250 214 55	392	Aluminum	Yes	Swivel		159



Fiddle block with becket



Amount of sheaves: 1 B1: 30 mm
 Rope: 14 mm \varnothing
 Sheave: 70 x 18 mm
 Working load: 625 kg
 Breaking load: 2,500 kg

Article number	Weight [g]	Material sheaves	360° rotatable	Feature	Bearing	H1 [mm]
35253 104 55	277	Plastic	No	Becket Bow		155
35253 204 55	374	Plastic	Yes	Becket Swivel		191



Fiddle block with bow / swivel



Amount of sheaves: 2 B1: 31.5 mm
 Rope: 14 mm \varnothing
 Sheave: 70 x 18 mm
 36 x 18 mm
 Working load: 625 kg
 Breaking load: 2,500 kg

Article number	Weight [g]	Material sheaves	360° rotatable	Feature	Bearing	H1 [mm]
35256 104 55	356	Plastic	No	Bow		186
35256 204 55	459	Plastic	Yes	Swivel		221

Double block with bow / swivel

Amount of sheaves: 2 **B1: 60 mm**
 Rope: 14 mm Ø
 Sheave: 70 x 18 mm
 Working load: 625 kg
 Breaking load: 2,500 kg



Article number	Weight [g]	Material sheaves	360° rotatable	Feature	Bearing	H1 [mm]
35251 104 55	337	Plastic	No	Bow		122
35251 204 55	432	Plastic	Yes	Swivel		159



Double block becket with bow / swivel

Amount of sheaves: 2 **B1: 60 mm**
 Rope: 14 mm Ø
 Sheave: 70 x 18 mm
 Working load: 625 kg
 Breaking load: 2,500 kg



Article number	Weight [g]	Material sheaves	360° rotatable	Feature	Bearing	H1 [mm]
35254 104 55	414	Plastic	No	Becket Bow		155
35254 204 55	504	Plastic	Yes	Becket Swivel		191

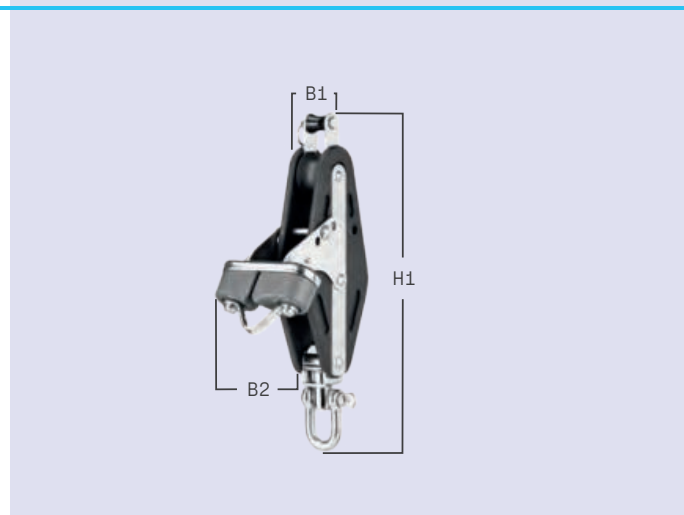


Mainsheet block fiddle block, cam cleat, becket (removable), swivel

Amount of sheaves: 2 **B1: 31 mm**
 Rope: 14 mm Ø **B2: 83 mm**
 Sheave: 70 x 18 mm **H1: 247 mm**
 36 x 18 mm
 Working load: 625 kg
 Breaking load: 2,500 kg



Article number	Weight [g]	Material sheaves	360° rotatable	Bearing
35257 204 55	706	Plastic	Yes	

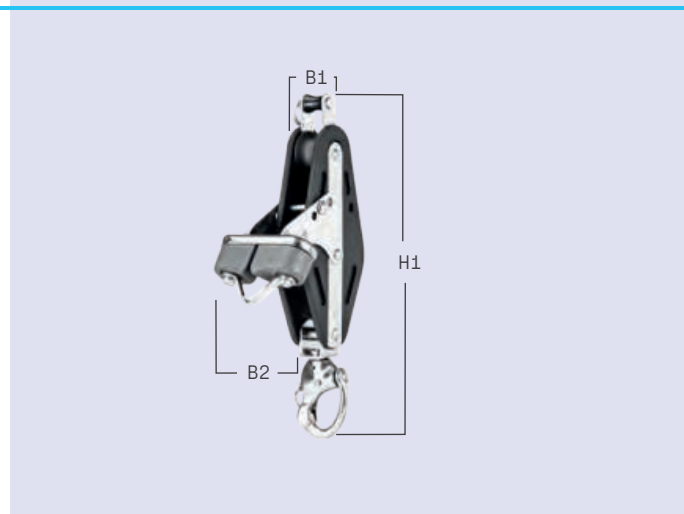


Mainsheet block fiddle block, cam cleat, snap shackle, becket (removable)

Amount of sheaves: 2 **B1: 31 mm**
 Rope: 14 mm Ø **B2: 83 mm**
 Sheave: 70 x 18 mm **H1: 259 mm**
 Working load: 625 kg
 Breaking load: 2,500 kg



Article number	Weight [g]	Material sheaves	360° rotatable	Bearing
35268 294 55	726	Plastic	Yes	



BALL BEARING BASE

- base with adjustable ratching effect
- base-plate with 4 integrated water-outlets
- arm made of high quality black anodised aluminum
- Extension arm limitation prevents over-rotation of the arm if required
2 screws mounted on the outside: 180° limitation, 1 screw mounted in the middle: 210° limitation, without screws: free movement
- mounted u-adapter suitable for a variety of blocks
- the fixing of the spring prevents a spreading of the spring over the block
- 2 rows of Delrin balls ensure easy rotation and free, unobstructed movement - even under load



Ball bearing base Long arm



Amount of sheaves: 1 H1: 14 cm
 Rope: 10 mm Ø
 360° rotatable: Yes
 Material sheaves: Plastic
 Sheave: 51 x 13 mm

Article number	Working load [kg]	Breaking load [kg]	Weight [g]	Feature	Bearing
35390 000 00	300	1,200	370	-	
35391 000 00	300	1,200	501	with ratchet blocks	



Ball bearing base Short arm



Amount of sheaves: 1 H1: 12 cm
 Rope: 10 mm Ø
 360° rotatable: Yes
 Material sheaves: Plastic
 Sheave: 51 x 13 mm

Article number	Working load [kg]	Breaking load [kg]	Weight [g]	Feature	Bearing
35400 000 00	300	1,200	350	-	
35401 000 00	300	1,200	456	with ratchet blocks	



Basis Cam cleat, mounting with 3 x M5 countersunk screws



Amount of sheaves: 2 B1: 69 mm
 Rope: 10 mm Ø L1: 103 mm
 Sheave: 29 mm Ø: 60 mm
 Material sheaves: Plastic
 360° rotatable: Yes
 Height: 67 mm

Article number	Working load [kg]	Breaking load [kg]	Weight [g]	Bearing
35402 000 00	300	1,200	456	

Swivel base with lead eye, cam cleat



- strongly loadable sliding bearing through application of high quality material: stainless steel and high quality UV-resistant plastic
- versatile application fields and excellent price/performance ratio

Rope: 12 mm Ø
Weight: 234 g
Material: Camlan®
 Stainless steel

360° rotatable: Yes
Addition: with guide eye and sheet clamp HT13

Article number	Ø Hole [mm]	Bearing
37438 000 00	5	



Swivel base with cam cleat, groundplate



- strongly loadable sliding bearing through application of high quality material: stainless steel and high quality UV-resistant plastic
- sheaves of high quality UV-resistant plastic
- versatile application fields and excellent price/performance ratio

Amount of sheaves: 2
Rope: 8 mm Ø
Sheave: 27 x 11 mm
Weight: 227 g
Material: Camlan®
 Stainless steel

Material sheaves: Plastic
360° rotatable: Yes
Addition: with sheet clamp HT13 on stainless steel base plate

Article number	Ø Hole [mm]	Bearing
37440 000 55	6.5	



Mast block sliding bearing with cam cleat



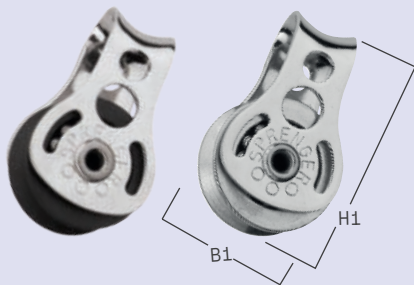
Amount of sheaves: 1
Rope: 4 - 6 mm Ø
Sheave: 27 x 11 mm
Weight: 150 g
Material: Camlan®
 Stainless steel
Material sheaves: Plastic
Type of blocks: swivelling mastblock
Addition: with HT08 sheet clamp and removable roll

Article number	Ø Hole [mm]	Bearing
37439 000 55	5	



MICRO XS BLOCKS

- smooth-running ball bearing, bearing body and balls made of stainless steel
- wobble riveting avoids sharp burrs at the rivet head
- cheek parts made of stainless steel
- very low weight and extremely small and lightweight blocks of compact shape
- many versions and fields of application, especially suitable for kicking strap, jigger or trimming lines
- Made in Germany

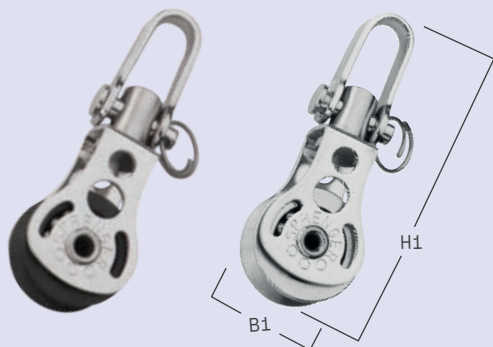


Block with through-bow



Amount of sheaves: 1 B1: 11.5 mm
 Sheave: 19 x 8.3 mm H1: 34 mm
 Working load: 112 kg
 Breaking load: 450 kg

Article number	Rope [mm Ø]	max. Wire [mm Ø]	Weight [g]	Material sheaves	Bearing
35320 600 55	6	-	10	Plastic	
35320 650 55	-	4	17	Stainless steel	

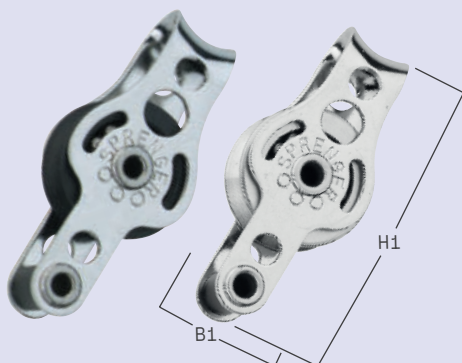


Block with swivel



Amount of sheaves: 1 B1: 11.5 mm
 360° rotatable: Yes H1: 55 mm
 Sheave: 19 x 8.3 mm
 Working load: 112 kg
 Breaking load: 450 kg

Article number	Rope [mm Ø]	max. Wire [mm Ø]	Weight [g]	Material sheaves	Bearing
35320 700 55	6	-	17	Plastic	
35320 750 55	-	4	25	Stainless steel	



Block with becket, through-bow



Amount of sheaves: 1 B1: 11.5 mm
 Sheave: 19 x 8.3 mm H1: 46 mm
 Working load: 112 kg
 Breaking load: 450 kg

Article number	Rope [mm Ø]	max. Wire [mm Ø]	Weight [g]	Material sheaves	Bearing
35321 600 55	6	-	14	Plastic	
35321 650 55	-	4	19	Stainless steel	

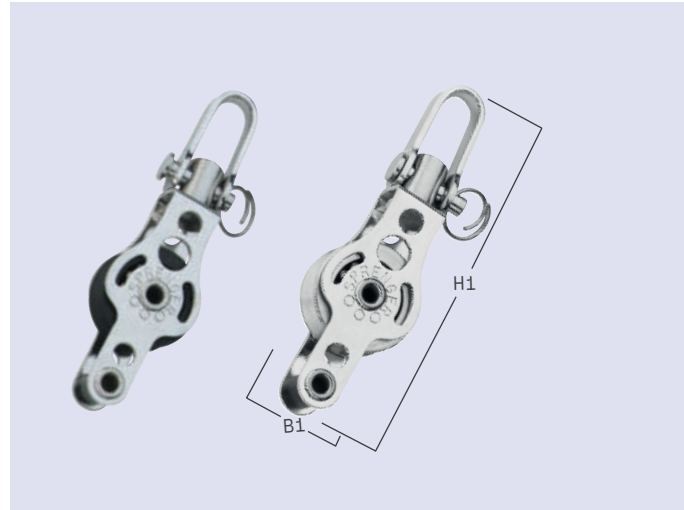
Block with becket, swivel



Amount of sheaves: 1
 360° rotatable: Yes
 Sheave: 19 x 8.3 mm
 Working load: 112 kg
 Breaking load: 450 kg

B1: 11.5 mm
 H1: 69 mm

Article number	Rope [mm Ø]	max. Wire [mm Ø]	Weight [g]	Material sheaves	Bearing
35321 700 55	6	-	21	Plastic	
35321 750 55	-	4	28	Stainless steel	



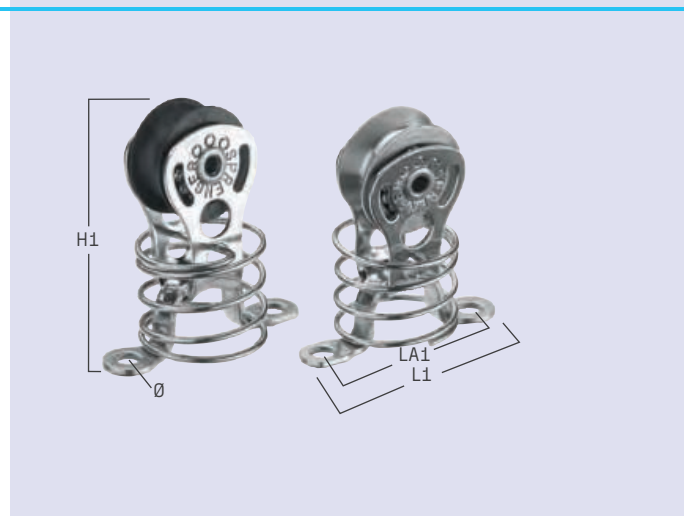
Block with through-bow, fairlead, spring



Amount of sheaves: 1
 Sheave: 19 x 8.3 mm
 Working load: 112 kg
 Breaking load: 450 kg

H1: 39 mm
 L1: 39 mm
 LA1: 30 mm
 Ø: 4 mm

Article number	Rope [mm Ø]	max. Wire [mm Ø]	Weight [g]	Material sheaves	Bearing
35318 600 55	6	-	16	Plastic	
35318 650 55	-	4	24	Stainless steel	



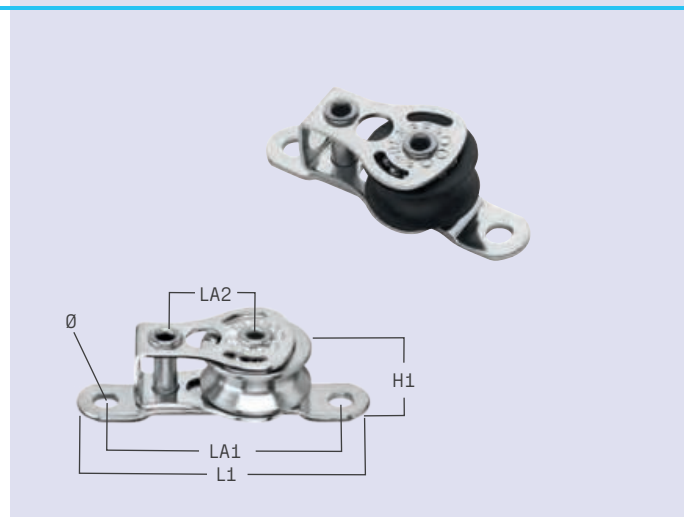
Cheek block with 2 hollow axles



Amount of sheaves: 1
 Sheave: 19 x 8.3 mm
 Type of blocks: Cheek block
 Working load: 112 kg
 Breaking load: 450 kg

H1: 15 mm
 L1: 50 mm
 LA1: 40 mm
 LA2: 15 mm
 Ø: 4 mm

Article number	Rope [mm Ø]	max. Wire [mm Ø]	Weight [g]	Material sheaves	Type of blocks	Bearing
35328 600 55	6	-	16	Plastic	Cheek block	
35328 650 55	-	4	23	Stainless steel	Cheek block	



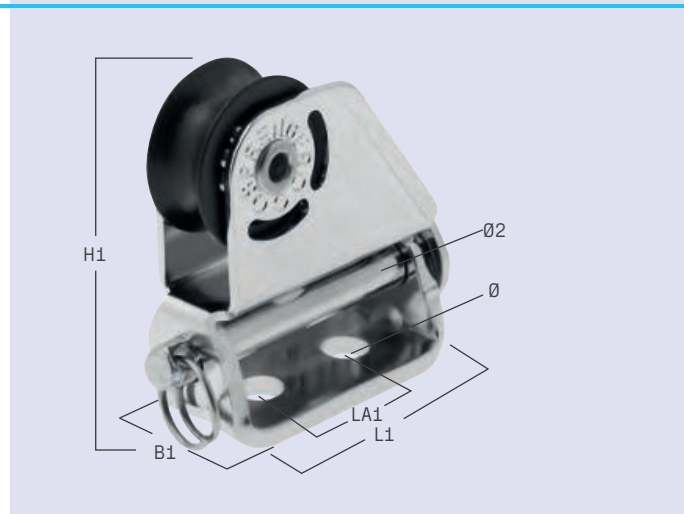
Upright block, tilltable

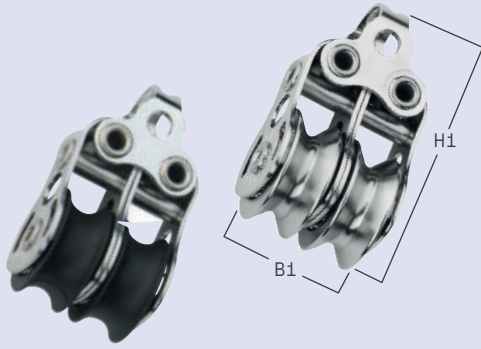


Amount of sheaves: 1
 Sheave: 19 x 8.3 mm
 Working load: 112 kg
 Breaking load: 450 kg

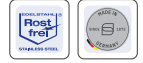
B1: 15 mm
 H1: 40 mm
 L1: 32 mm
 LA1: 13 mm
 Ø: 5 mm
 Ø2: 5 mm

Article number	Rope [mm Ø]	Weight [g]	Material sheaves	Bearing
35149 000 55	6	35	Plastic	



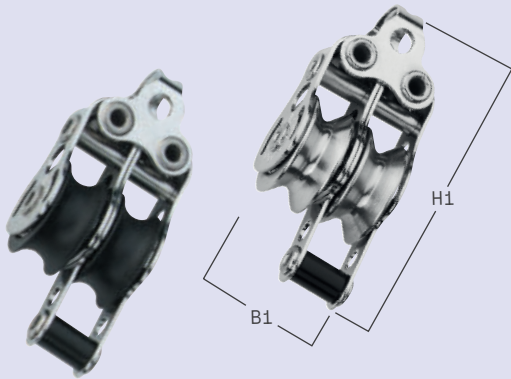


Double block with bow



Amount of sheaves: 2 **B1:** 23 mm
 Sheave: 19 x 8.3 mm **H1:** 42 mm
 Working load: 112 kg
 Breaking load: 450 kg

Article number	Rope [mm Ø]	max. Wire [mm Ø]	Weight [g]	Material sheaves	Bearing
35322 600 55	6	-	27	Plastic	
35322 650 55	-	4	41	Stainless steel	

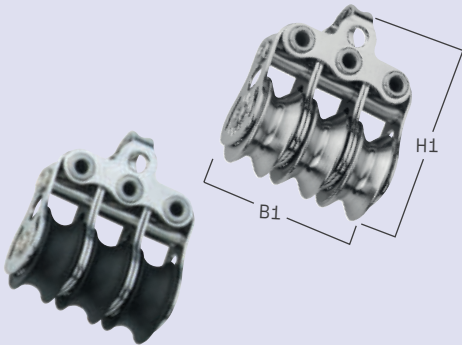


Double block with becket, bow



Amount of sheaves: 2 **B1:** 23 mm
 Sheave: 19 x 8.3 mm **H1:** 56 mm
 Working load: 112 kg
 Breaking load: 450 kg

Article number	Rope [mm Ø]	max. Wire [mm Ø]	Weight [g]	Material sheaves	Bearing
35323 600 55	6	-	29	Plastic	
35323 650 55	-	4	43	Stainless steel	

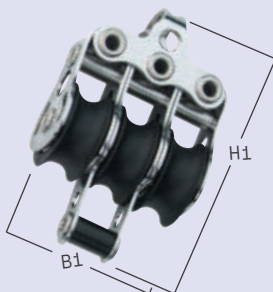


Triple block with bow



Amount of sheaves: 3 **B1:** 35 mm
 Sheave: 19 x 8.3 mm **H1:** 50 mm
 Working load: 112 kg
 Breaking load: 450 kg

Article number	Rope [mm Ø]	max. Wire [mm Ø]	Weight [g]	Material sheaves	Bearing
35324 600 55	6	-	37	Plastic	
35324 650 55	-	4	64	Stainless steel	



Triple block with becket, bow



Amount of sheaves: 3 **B1:** 35 mm
 Sheave: 19 x 8.3 mm **H1:** 63 mm
 Working load: 112 kg
 Breaking load: 450 kg

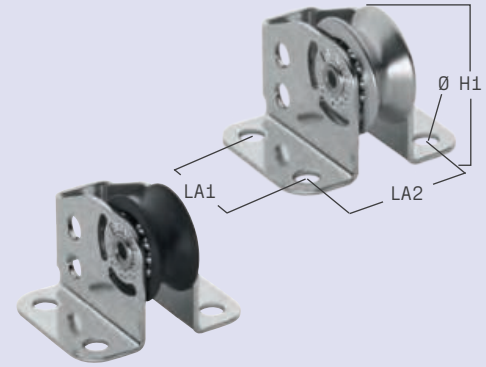
Article number	Rope [mm Ø]	Weight [g]	Material sheaves	Bearing
35325 600 55	6	41	Plastic	

Upright block with hollow axles



Amount of sheaves: 1 H1: 26 mm
 Sheave: 19 x 8.3 mm LA1: 17 mm
 Working load: 112 kg LA2: 24 mm
 Breaking load: 450 kg Ø: 4 mm

Article number	Rope [mm Ø]	max. Wire [mm Ø]	Weight [g]	Material sheaves	Type of blocks	Bearing
35331 600 55	6	-	21	Plastic	-	
35331 650 55	-	4	28	Stainless steel	Upright block	

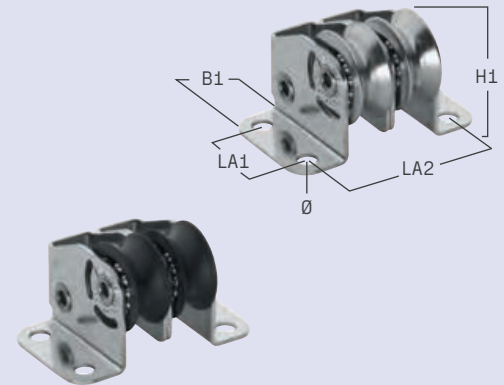


Upright block with 2 hollow axles



Amount of sheaves: 2 B1: 10 mm
 Sheave: 19 x 8.3 mm H1: 26 mm
 Working load: 112 kg LA1: 17 mm
 Breaking load: 450 kg LA2: 35 mm
 Ø: 4 mm

Article number	Rope [mm Ø]	max. Wire [mm Ø]	Weight [g]	Material sheaves	Bearing
35332 600 55	6	-	39	Plastic	
35332 650 55	-	4	51	Stainless steel	

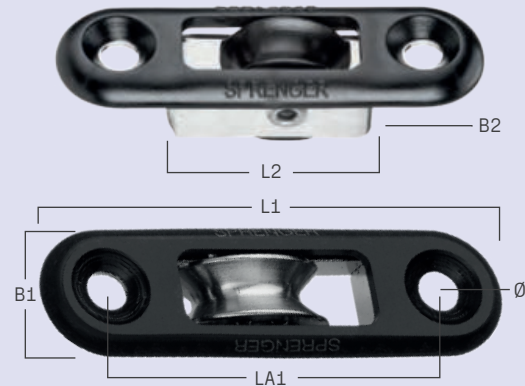


Cheek block with plastic cover plate



Amount of sheaves: 1 B1: 17 mm
 Sheave: 19 x 8.3 mm B2: 12 mm
 Working load: 112 kg L1: 61 mm
 Breaking load: 450 kg L2: 25 mm
 LA1: 45 mm
 Ø: 5 mm

Article number	Rope [mm Ø]	max. Wire [mm Ø]	Weight [g]	Material sheaves	Bearing
35329 010 55	6	-	18	Plastic	
35329 610 55	-	4	24	Stainless steel	

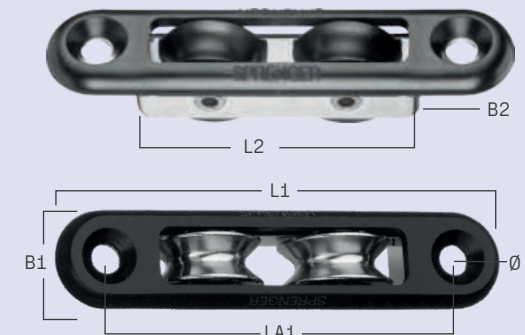


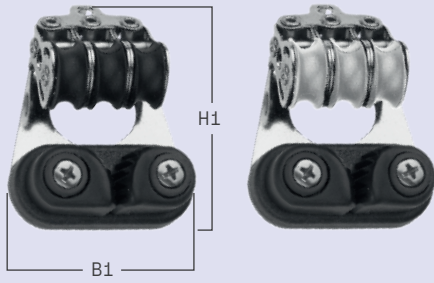
Cheek block with plastic cover plate



Amount of sheaves: 2 B1: 17 mm
 Sheave: 19 x 8.3 mm B2: 12 mm
 Feature: Plastic cover plate L1: 80 mm
 Working load: 112 kg L2: 44 mm
 Breaking load: 450 kg LA1: 64 mm
 Ø: 5 mm

Article number	Rope [mm Ø]	max. Wire [mm Ø]	Weight [g]	Material sheaves	Bearing
35329 020 55	6	-	28	Plastic	
35329 650 55	-	4	41	Stainless steel	



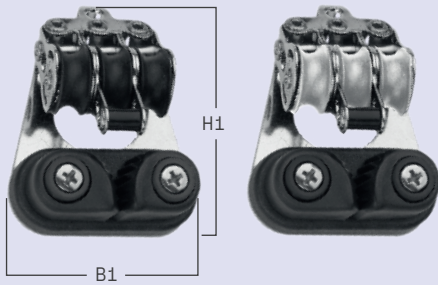


Tripe block with cam cleat, bow



Amount of sheaves: 3 **B1:** 35 mm
 Sheave: 19 x 8.3 mm **H1:** 50 mm
 Working load: 112 kg
 Breaking load: 450 kg

Article number	Rope [mm Ø]	max. Wire [mm Ø]	Weight [g]	Material sheaves	Bearing
35326 600 55	6	-	87	Plastic	
35326 650 55	-	4	111	Stainless steel	



Tripe block with becket, cam cleat, bow



Amount of sheaves: 3 **B1:** 35 mm
 Sheave: 19 x 8.3 mm **H1:** 63 mm
 Working load: 112 kg
 Breaking load: 450 kg

Article number	Rope [mm Ø]	max. Wire [mm Ø]	Weight [g]	Material sheaves	Bearing
35327 600 55	6	-	90	Plastic	
35327 650 55	-	4	113	Stainless steel	

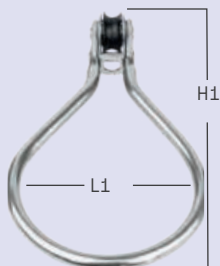


Fiddle block V-cleat

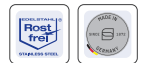


Amount of sheaves: 2 **B1:** 11 mm
 Rope: 6 mm Ø
 Material sheaves: Plastic
 Sheave: 19 x 8.3 mm
 32 x 8.3 mm
 Working load: 112 kg
 Breaking load: 450 kg

Article number	Weight [g]	Feature	Bearing	H1 [mm]
35315 600 55	53	-		88
35317 600 55	58	becket		100



Trapeze ring with Micro XS block

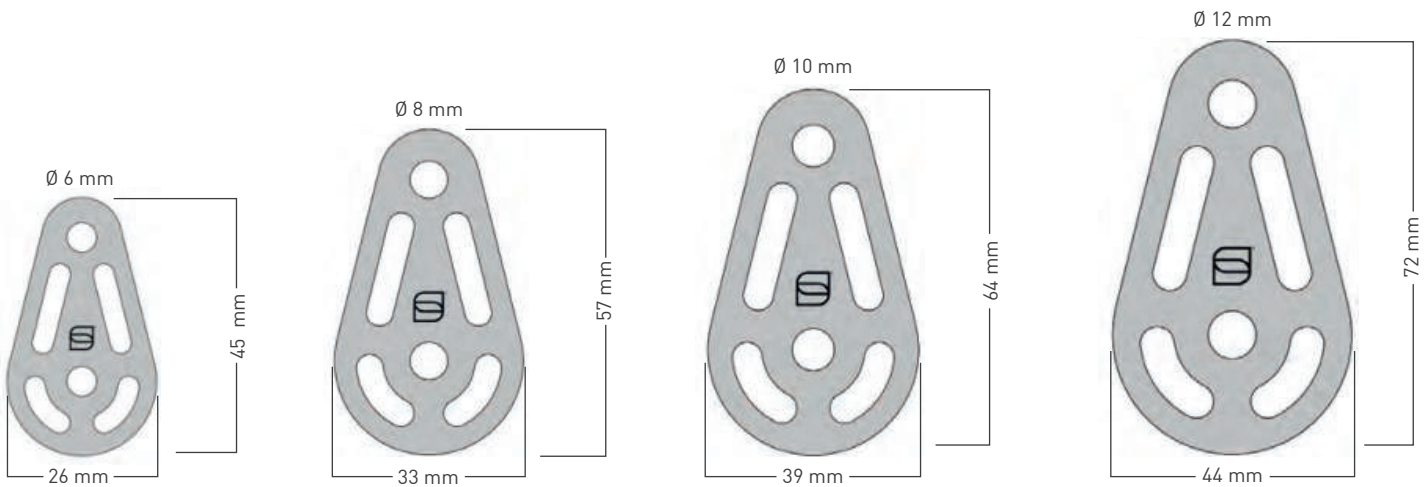


Amount of sheaves: 1 **H1:** 135 mm
 Rope: 6 mm Ø **L1:** 65 mm
 Sheave: 19 x 8.3 mm
 Weight: 57 g
 Material sheaves: Plastic

Article number	Working load [kg]	Breaking load [kg]	Bearing
38074 000 55	112	450	

SLIDING BEARING BLOCKS - for 6-12 mm rope

- sliding bearing strongly loadable
- cheek parts made of stainless steel and sheaves of high quality UV-resistant plastic
- wobble riveting avoids sharp burrs at the rivet head
- easy fixing of bows and swivels by means of bolts and rings
- low weight and excellent price/performance ratio
- Made in Germany



Block with bow (removable)



Amount of sheaves: 1
 360° rotatable: No
 Material sheaves: Plastic

Article number	Rope [mm Ø]	Sheave [mm]	Working load [kg]	Breaking load [kg]	Weight [g]	Bearing	H1 [mm]
35065 010 55	6	25 x 9.2	175	700	27		56
35001 000 55	8	30 x 10	200	800	41		70
35001 001 55	10	35 x 11	212	850	49		77
35001 002 55	12	42 x 13	225	900	66		88



Block without bow



Amount of sheaves: 1
 Material sheaves: Plastic
 360° rotatable: No

Article number	Rope [mm Ø]	Sheave [mm]	Working load [kg]	Breaking load [kg]	Weight [g]	Bearing	H1 [mm]
35000 000 55	8	30 x 10	200	800	35		57



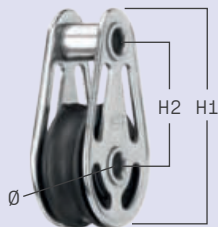


Block with swivel (removable)

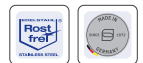


Amount of sheaves: 1 H1: 75 mm
 Material sheaves: Plastic
 360° rotatable: Yes

Article number	Rope [mm Ø]	Sheave [mm]	Working load [kg]	Breaking load [kg]	Weight [g]	Bearing
35065 020 55	6	25 x 9.2	175	700	36	

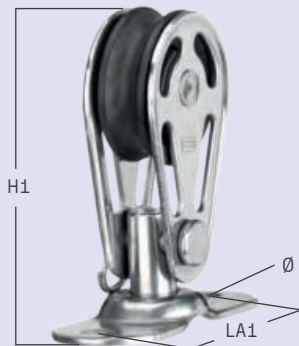


Block with hollow axles



Amount of sheaves: 1 H1: 45 mm
 Material sheaves: Plastic H2: 25 mm
 360° rotatable: No Ø: 5 mm

Article number	Rope [mm Ø]	Sheave [mm]	Working load [kg]	Breaking load [kg]	Weight [g]	Bearing
35065 100 55	6	25 x 9.2	175	700	20	



Block with rotary plate (removable), bolt



Amount of sheaves: 1 H1: 52 mm
 Material sheaves: Plastic LA1: 35 mm
 360° rotatable: Yes Ø: 5 mm

Article number	Rope [mm Ø]	Sheave [mm]	Working load [kg]	Breaking load [kg]	Weight [g]	Bearing
35065 850 55	6	25 x 9.2	175	700	39	



Fiddle block with becket, bow (removable)



Amount of sheaves: 1
 360° rotatable: No
 Material sheaves: Plastic

Article number	Rope [mm Ø]	Sheave [mm]	Working load [kg]	Breaking load [kg]	Weight [g]	Bearing	H1 [mm]
35068 010 55	6	25 x 9.2	175	700	36		75
35021 000 55	8	30 x 10	200	800	53		95
35021 001 55	10	35 x 11	212	850	63		102
35021 002 55	12	42 x 13	225	900	86		115

Double block with bow (removable)



Amount of sheaves: 2
 360° rotatable: No
 Material sheaves: Plastic

Article number	Rope [mm Ø]	Sheave [mm]	Working load [kg]	Breaking load [kg]	Weight [g]	Bearing	H1 [mm]
35067 010 55	6	25 x 9.2	175	700	42		56
35011 000 55	8	30 x 10	200	800	63		70
35011 001 55	10	35 x 11	212	850	77		77
35011 002 55	12	42 x 13	225	900	107		88



Double block with swivel (removable)



Amount of sheaves: 2 H1: 75 mm
 Material sheaves: Plastic
 360° rotatable: Yes

Article number	Rope [mm Ø]	Sheave [mm]	Working load [kg]	Breaking load [kg]	Weight [g]	Bearing
35067 020 55	6	25 x 9.2	175	700	52	

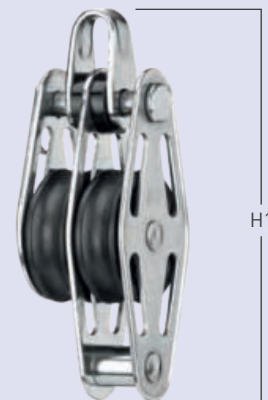


Double block becket, bow (removable)



Amount of sheaves: 2
 360° rotatable: No
 Material sheaves: Plastic

Article number	Rope [mm Ø]	Sheave [mm]	Working load [kg]	Breaking load [kg]	Weight [g]	Bearing	H1 [mm]
35069 010 55	6	25 x 9.2	175	700	52		75
35031 000 55	8	30 x 10	200	800	76		95
35031 001 55	10	35 x 11	212	850	94		102



Triple block with bow (removable)



Amount of sheaves: 3
 360° rotatable: No
 Material sheaves: Plastic

Article number	Rope [mm Ø]	Sheave [mm]	Working load [kg]	Breaking load [kg]	Weight [g]	Bearing	H1 [mm]
35070 010 55	6	25 x 9.2	175	700	59		56
35014 001 55	10	35 x 11	212	850	106		77





Triple block with becket, bow (removable)



Amount of sheaves: 3
 360° rotatable: No
 Material sheaves: Plastic

Article number	Rope [mm Ø]	Sheave [mm]	Working load [kg]	Breaking load [kg]	Weight [g]	Bearing	H1 [mm]
35071 010 55	6	25 x 9.2	175	700	70		75
35034 001 55	10	35 x 11	212	850	121		102



Fiddle block with bow (removable)



Amount of sheaves: 2 H1: 136 mm
 360° rotatable: No
 Material sheaves: Plastic

Article number	Rope [mm Ø]	Sheave [mm]	Working load [kg]	Breaking load [kg]	Weight [g]	Bearing
35041 001 55	10	46 x 11 26 x 11	212	850	130	
35041 002 55	12	50 x 13 29 x 13	225	900	148	



Fiddle block with cam cleat, swivel



Amount of sheaves: 2 H1: 160 mm
 Material sheaves: Plastic
 360° rotatable: Yes

Article number	Rope [mm Ø]	Sheave [mm]	Working load [kg]	Breaking load [kg]	Weight [g]	Bearing
35052 192 55	12	29 x 13 50 x 13	225	900	315	



Fiddle block, cam cleat, bow (removable)



Amount of sheaves: 2 B1: 14.6 mm
 Material sheaves: Plastic B2: 52 mm
 360° rotatable: No

Article number	Rope [mm Ø]	Sheave [mm]	Working load [kg]	Breaking load [kg]	Weight [g]	Bearing	H1 [mm]
35123 001 55	6	22 x 11 35 x 11	225	900	115		103

V-Cleat block with becket, bow (removable)



Amount of sheaves: 1 **H1:** 75 mm
 Material sheaves: Plastic
 360° rotatable: No

Article number	Rope [mm Ø]	Sheave [mm]	Working load [kg]	Breaking load [kg]	Weight [g]	Bearing
35120 001 55	6	25 x 9.2	175	700	49	

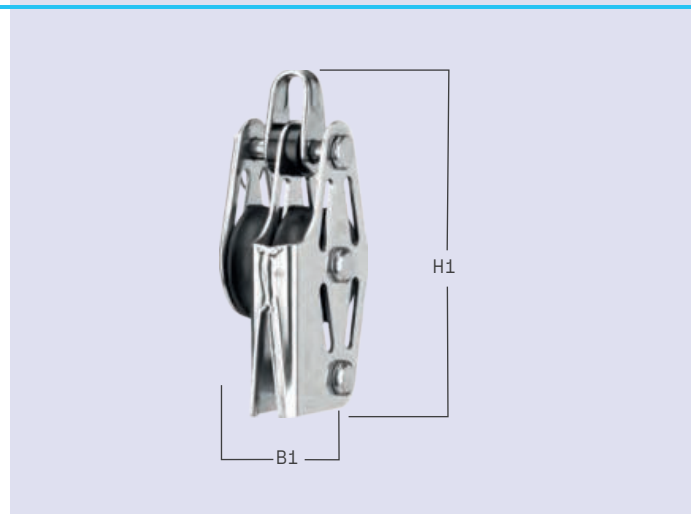


V-Cleat block with becket, bow (removable)



Amount of sheaves: 2 **B1:** 24 mm **H1:** 75 mm
 Material sheaves: Plastic
 360° rotatable: No

Article number	Rope [mm Ø]	Sheave [mm]	Working load [kg]	Breaking load [kg]	Weight [g]	Bearing
35120 002 55	6	25 x 9.2	175	700	64	

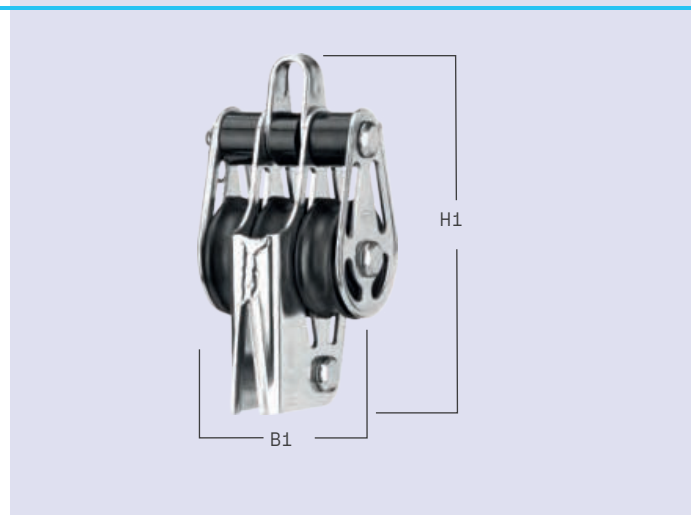


V-Cleat block becket, bow (removable)



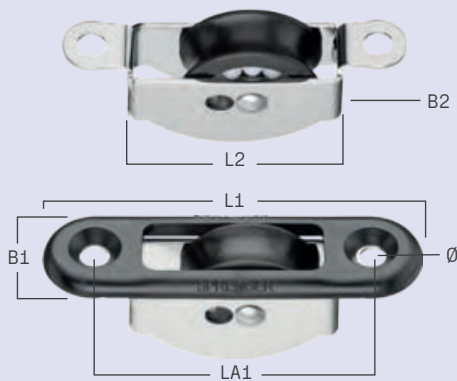
Amount of sheaves: 3 **B1:** 35 mm **H1:** 75 mm
 Material sheaves: Plastic
 360° rotatable: No

Article number	Rope [mm Ø]	Sheave [mm]	Working load [kg]	Breaking load [kg]	Weight [g]	Bearing
35120 003 55	6	25 x 9.2	175	700	81	



CHEEK BLOCKS

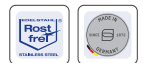
- smooth-running ball bearing made of stainless steel or plastic ball bearing
- cage and bearing shell made of stainless steel and cover plates made of stainless steel or of high quality UV-resistant plastic
- sheaves of high quality UV-resistant plastic or stainless steel
- wobble riveting avoids sharp burrs at the rivet head
- low weight and excellent price/performance ratio
- Made in Germany



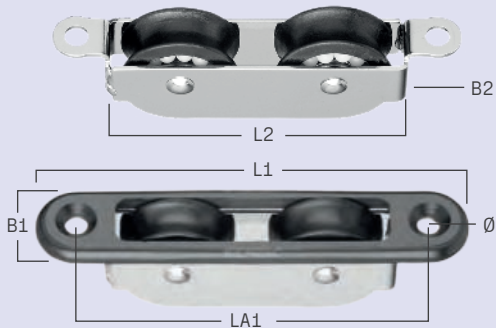
Cheek block

Amount of sheaves: 1
 Sheave: 27 x 11 mm

B1: 20 mm
 B2: 15 mm
 L1: 73 mm
 L2: 35 mm
 LA1: 55 mm
 Ø: 5 mm



Article number	Rope [mm Ø]	Weight [g]	Material sheaves	Bearing
35215 010 55	8	20	Plastic	



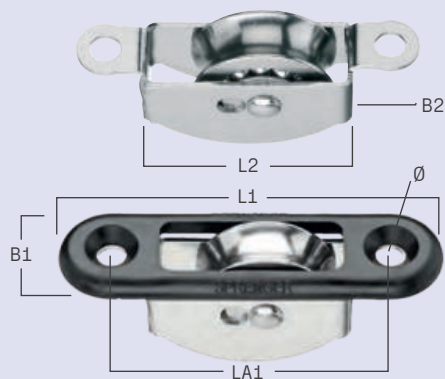
Cheek block

Amount of sheaves: 2
 Sheave: 27 x 11 mm

B1: 20 mm
 B2: 15 mm
 L1: 102 mm
 L2: 73 mm
 LA1: 82 mm
 Ø: 5 mm



Article number	Rope [mm Ø]	Weight [g]	Material sheaves	Bearing
35215 020 55	8	40	Plastic	



Cheek block

Amount of sheaves: 1
 Sheave: 27 x 11 mm

B1: 20 mm
 B2: 15 mm
 L1: 73 mm
 L2: 35 mm
 LA1: 55 mm
 Ø: 5 mm



Article number	Rope [mm Ø]	Weight [g]	Material sheaves	Bearing
35215 610 55	8	55	Stainless steel	

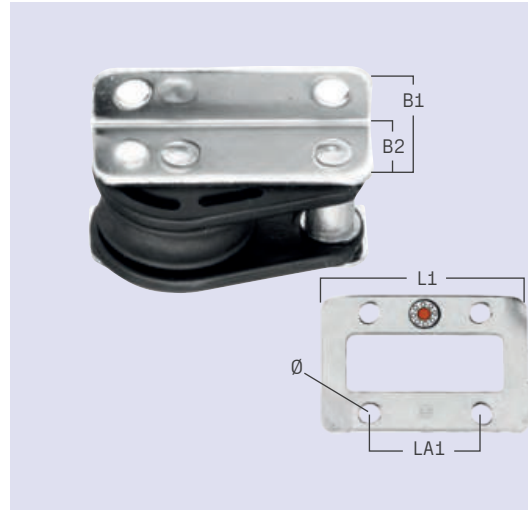
Cheek block

Amount of sheaves: 1
 Sheave: 50 x 14 mm

B1: 53 mm
 B2: 38 mm
 L1: 88 mm
 LA1: 63 mm
 Ø: 5 mm



Article number	Rope [mm Ø]	Weight [g]	Material sheaves	Bearing
35265 502 00	12	178	Plastic	



Cheek block with plastic cover plate

Amount of sheaves: 1
 Sheave: 19 x 8.3 mm
 Working load: 112 kg
 Breaking load: 450 kg

B1: 17 mm
 B2: 12 mm
 L1: 61 mm
 L2: 25 mm
 LA1: 45 mm
 Ø: 5 mm



Article number	Rope [mm Ø]	max. Wire [mm Ø]	Weight [g]	Material sheaves	Bearing
35329 010 55	6	-	18	Plastic	
35329 610 55	-	4	24	Stainless steel	



Cheek block with plastic cover plate

Amount of sheaves: 2
 Sheave: 19 x 8.3 mm
 Feature: Plastic cover plate
 Working load: 112 kg
 Breaking load: 450 kg

B1: 17 mm
 B2: 12 mm
 L1: 80 mm
 L2: 44 mm
 LA1: 64 mm
 Ø: 5 mm

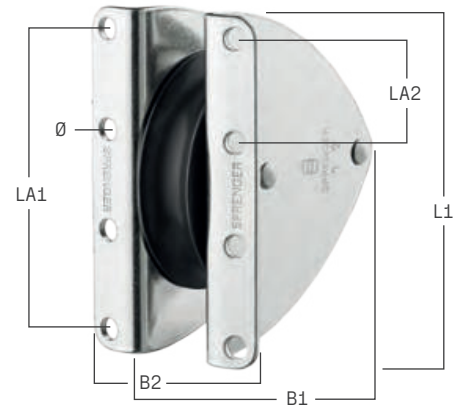


Article number	Rope [mm Ø]	max. Wire [mm Ø]	Weight [g]	Material sheaves	Bearing
35329 020 55	6	-	28	Plastic	
35329 650 55	-	4	41	Stainless steel	



MAST CHEEK BLOCKS

- sliding bearing strongly loadable with cage made of stainless steel
- wobble riveting prevents sharp rivet head burrs
- sheaves of high quality UV-resistant plastic or aluminum
- excellent price/performance ratio
- Made in Germany



Mast cheek block



Amount of sheaves: 1
 Rope: 8 mm Ø
 Sheave: 30 x 12 mm
 Weight: 78 g
 Material sheaves: Plastic

Article number	Bearing	B1 [mm]	B2 [mm]	L1 [mm]	LA1 [mm]	Ø [mm]
35086 008 55		40	19	50	40	5



Mast cheek block



Amount of sheaves: 1
 Rope: 10 mm Ø
 Sheave: 44 x 14 mm
 Weight: 187 g
 Material sheaves: Aluminum

Article number	Bearing	B1 [mm]	B2 [mm]	L1 [mm]	LA1 [mm]	LA2 [mm]	Ø [mm]
35086 010 55		47	23	80	68	34	5



FOOT BLOCKS

- sliding bearing strongly loadable with sheaves made of high quality UV-resistant plastic
- application made of high quality material: stainless steel and high quality UV-resistant plastic
- wobble riveting avoids sharp burrs at the rivet head
- easy fixing of bows and swivels by means of bolts and rings
- low weight and excellent price/performance ratio
- Made in Germany

Mast foot block with bow



Amount of sheaves: 1
 Material sheaves: Plastic
 Type of blocks: Mast foot block

Article number	Rope [mm Ø]	Sheave [mm]	Weight [g]	Bearing
35263 002 55	12	50 x 14	91	
35263 003 55	14	70 x 18	235	



Bolt



Material: Stainless steel

Article number	Weight [g]	Ø Stud [mm]	Ø Hole [mm]	H1 [mm]
33730 102 55	38	12	6	45
33730 103 55	58	14	8	50

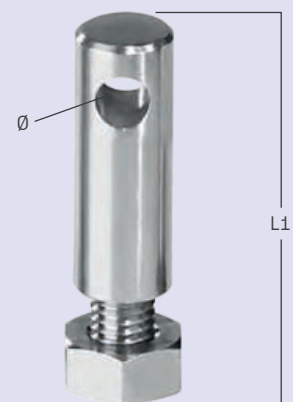


Bolt



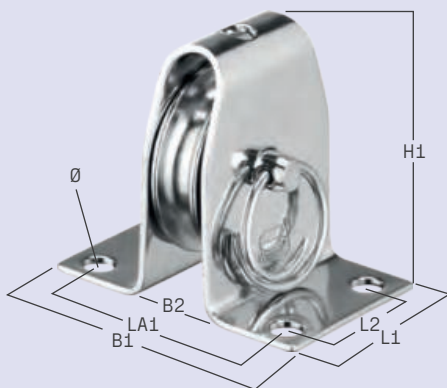
Material: Stainless steel
 Thread: M 8

Article number	Weight [g]	Ø Stud [mm]	Ø Hole [mm]	L1 [mm]
33730 202 55	34	12	6	40
33730 203 55	48	14	8	50

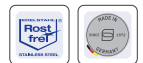


UPRIGHT BLOCK

- strongly loadable sliding bearing and smooth-running ball bearing
- application of highly quality material: stainless steel and high quality UV-resistant plastic
- wobble riveting avoids sharp burrs at the rivet head
- sheaves of high quality UV-resistant plastic, stainless steel or brass nickeled
- easy fixing by means of bolts and rings
- low weight and excellent price/performance ratio
- Made in Germany

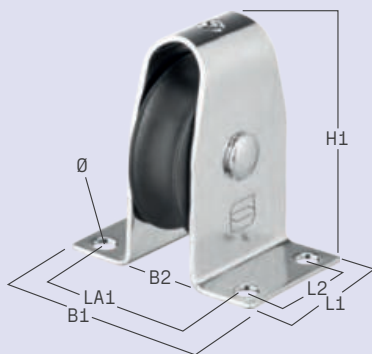


Upright block (removable)



Amount of sheaves: 1 **B1:** 38 mm
Sheave: 25 x 7 mm **B2:** 8 mm
Weight: 44 g **H1:** 34 mm
Material sheaves: brass, nickel-plated **L1:** 25 mm
L2: 17 mm
LA1: 27 mm
Ø: 4 mm

Article number	max. Wire [mm Ø]	Working load [kg]	Breaking load [kg]	Bearing
35111 000 55	4	250	1,000	

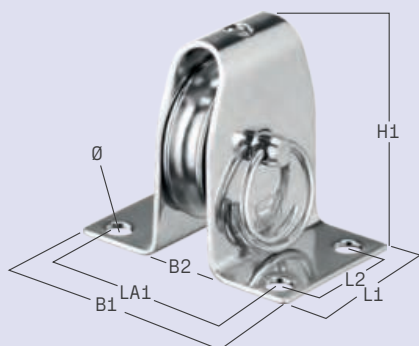


Upright block riveted



Amount of sheaves: 1 **B1:** 38 mm
Sheave: 30 x 10 mm **B2:** 12 mm
Weight: 36 g **H1:** 42 mm
Material sheaves: Plastic **L1:** 25 mm
Type of blocks: Upright block **L2:** 17 mm
LA1: 27 mm
Ø: 4 mm

Article number	Rope [mm Ø]	Working load [kg]	Breaking load [kg]	Bearing
35111 002 55	6	300	1,200	



Upright block (removable)



Amount of sheaves: 1 **B1:** 38 mm
Sheave: 30 x 10 mm **B2:** 12 mm
Weight: 61 g **H1:** 42 mm
Material sheaves: brass, nickel-plated **L1:** 25 mm
L2: 16.5 mm
LA1: 28 mm
Ø: 4 mm

Article number	max. Wire [mm Ø]	Working load [kg]	Breaking load [kg]	Bearing
35111 001 55	6	250	1,000	

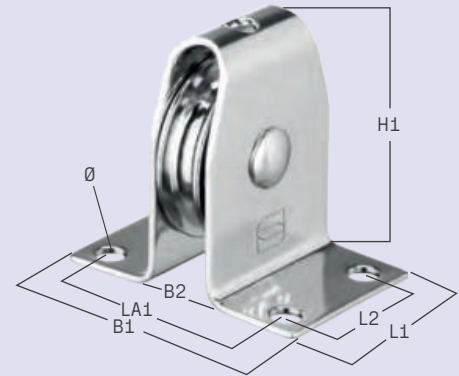
Upright block

Amount of sheaves: 1
 Sheave: 25 x 7 mm
 Weight: 43 g
 Material sheaves: brass, nickel-plated

B1: 38 mm
B2: 12 mm
H1: 34 mm
L1: 25 mm
L2: 16.5 mm
LA1: 28.8 mm
Ø: 4 mm



Article number	max. Wire [mm Ø]	Working load [kg]	Breaking load [kg]	Bearing
35111 003 55	4	250	1,000	



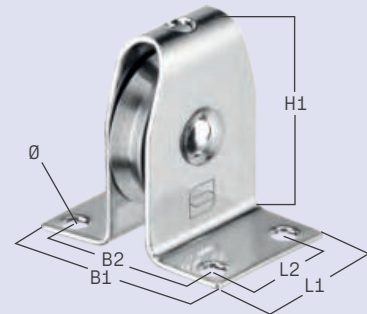
High Load upright block

Amount of sheaves: 1
 Rope: 5 mm Ø
 max. Wire: 3 mm Ø
 Sheave: 25 x 6 mm
 Weight: 38 g
 Material sheaves: Stainless steel

B1: 36 mm
B2: 27 mm
H1: 34 mm
L1: 25 mm
L2: 13 mm
Ø: 4 mm



Article number	Working load [kg]	Breaking load [kg]	Bearing
35309 650 55	187	750	



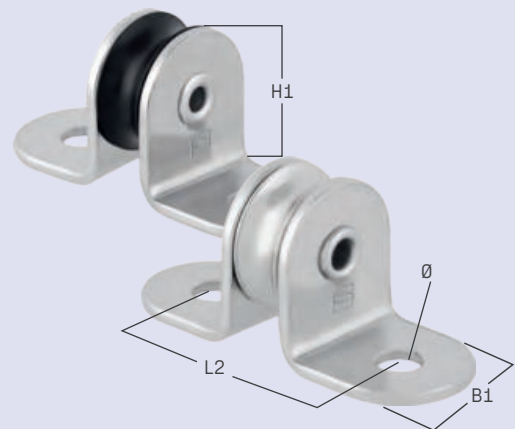
Check block sliding bearing

Amount of sheaves: 1
 Rope: 6 mm
 Sheave: 16 x 6.3 mm

B1: 16 mm
H1: 19 mm
L2: 23.6 mm
Ø: 5 mm



Article number	Working load [kg]	Breaking load [kg]	Material sheaves	Bearing
35111 004 55	100	400	Plastic	
35111 005 55	100	400	brass	



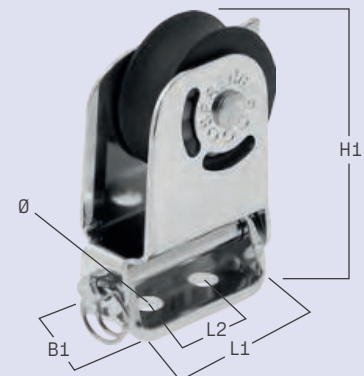
Upright block, tiltable

Amount of sheaves: 1
 Rope: 8 mm Ø
 Sheave: 27 x 11 mm
 Weight: 45 g
 Material sheaves: Plastic

B1: 15 mm
H1: 50 mm
L1: 32 mm
L2: 15 mm
Ø: 5 mm

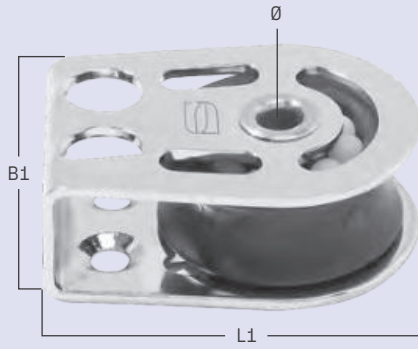


Article number	Working load [kg]	Breaking load [kg]	Bearing
35148 000 55	75	300	





Check block sliding bearing



Weight: 29 g
Amount of sheaves: 1
Rope: 8 mm
Material sheaves: Plastic
Sheave: 27 x 11 mm
Feature: Hollow axles
B1: 30 mm
L1: 41 mm
L2: 12 mm
Ø: 5 mm

Article number	Working load [kg]	Breaking load [kg]	Feature	Bearing
35135 500 55	75	300	Hollow axles	

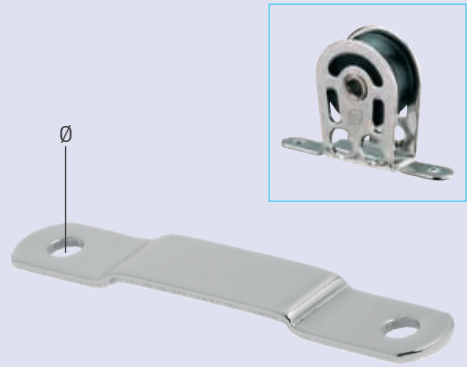
Cheek block sliding Bearing



Rope: 8 mm Ø
Sheave: 27 x 11 mm
Weight: 31 g
Material sheaves: Plastic
B1: 30 mm
L1: 41 mm
L2: 12 mm
Ø: 5 mm

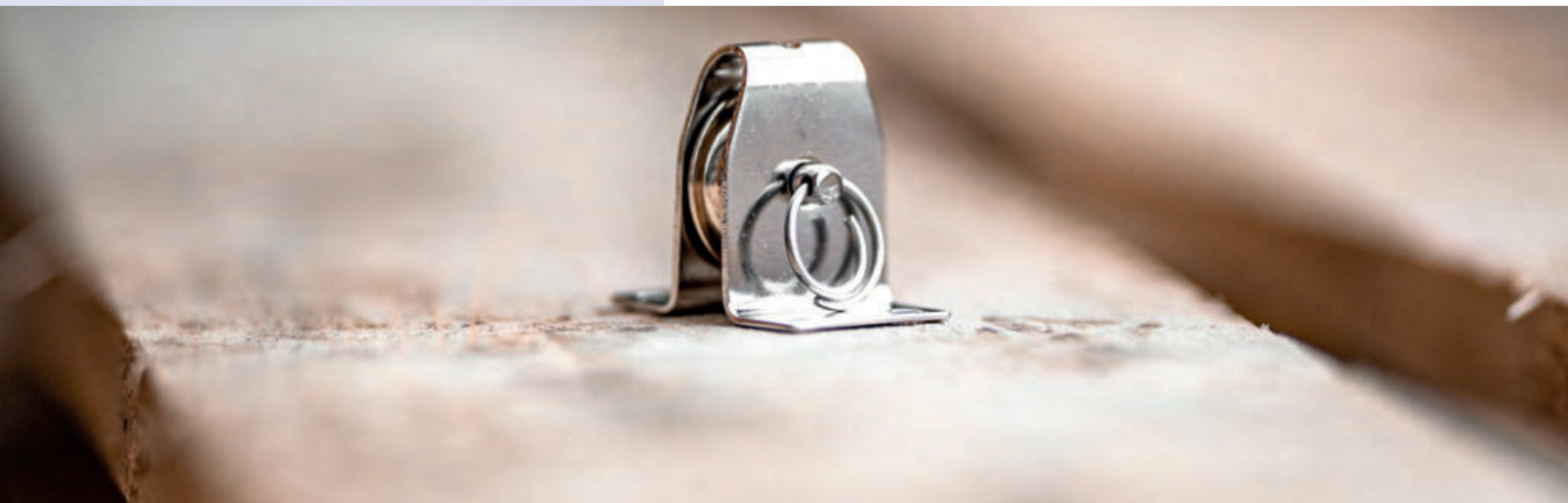
Article number	Working load [kg]	Breaking load [kg]	Bearing
35135 000 55	75	300	

Strap for cheek block 35135



Weight: 7 g
Ø Hole: 4 mm

Article number	Working load [kg]	Breaking load [kg]
35136 000 55	75	300



INDUSTRY BLOCKS

- heavy duty plain bearing
- side parts made of high-quality materials: stainless steel and high-quality UV-resistant plastic
- wobble riveting prevents sharp burrs on the rivet head
- rope rolls made of high quality UV-resistant plastic
- high working and breaking loads
- excellent price/performance ratio
- Made in Germany

Super mini block



Amount of sheaves: 1 H1: 28.5 mm
 Rope: 6 mm Ø
 Sheave: 16 x 6 mm
 Weight: 7 g
 Material: Stainless steel
 Material sheaves: Plastic

Article number	Working load [kg]	Breaking load [kg]	Bearing
35225 001 55	112	450	



Super mini block with bow nickel plated



Amount of sheaves: 1 H1: 28.5 mm
 Sheave: 16 x 6 mm
 Weight: 12 g
 Material: Stainless steel
 Material sheaves: brass, nickel-plated

Article number	max. Wire [mm]	Working load [kg]	Breaking load [kg]	Bearing
35225 000 55	4	120	480	



Super mini block



Amount of sheaves: 2 H1: 28.5 mm
 Rope: 6 mm Ø
 Sheave: 16 x 6 mm
 Weight: 15 g
 Material: Stainless steel
 Material sheaves: Plastic

Article number	Working load [kg]	Breaking load [kg]	Bearing
35226 001 55	235	940	





Super mini block with bow

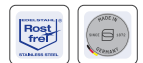


Amount of sheaves: 2 H1: 28.5 mm
 Sheave: 16 x 6 mm
 Weight: 26 g
 Material: Stainless steel
 Material sheaves: brass, nickel-plated

Article number	max. Wire [mm]	Working load [kg]	Breaking load [kg]	Bearing
35226 000 55	4	235	940	



Mini block



Amount of sheaves: 1 H1: 38 mm
 Rope: 10 mm Ø
 Sheave: 20 x 10 mm
 Weight: 18 g
 Material: Stainless steel
 Material sheaves: Plastic

Article number	Working load [kg]	Breaking load [kg]	Bearing
35230 000 55	125	500	



Mini block with wire-swivel



Amount of sheaves: 1 H1: 55 mm
 Rope: 10 mm Ø
 Sheave: 20 x 10 mm
 Weight: 19 g
 Material: Stainless steel
 Material sheaves: Plastic
 360° rotatable: Yes

Article number	Working load [kg]	Breaking load [kg]	Length [mm]	Bearing
35231 000 55	37	150	55	



Mini block with tin-swivel



Amount of sheaves: 1 H1: 59 mm
 Rope: 10 mm Ø
 Sheave: 20 x 10 mm
 Weight: 27 g
 Material: Stainless steel
 Material sheaves: Plastic
 360° rotatable: Yes

Article number	Working load [kg]	Breaking load [kg]	Length [mm]	Bearing
35232 000 55	112	450	59	

Mini block with bow

Amount of sheaves: 1 H1: 53 mm
 Rope: 10 mm
 Sheave: 20 x 10 mm
 Weight: 26 g
 Material: Stainless steel
 Material sheaves: Plastic



Article number	Working load [kg]	Breaking load [kg]	Bearing
35233 000 55	125	500	



Super mini block with wire-swivel, fairlead

Amount of sheaves: 1 H1: 64 mm
 Rope: 10 mm Ø
 Sheave: 20 x 10 mm
 Weight: 26 g
 Material: Stainless steel
 Material sheaves: Plastic
 360° rotatable: Yes



Article number	Working load [kg]	Breaking load [kg]	Bearing
35234 001 55	37	150	



Kite block

Material: Plastic ■ Stainless steel rivet
 Amount of sheaves: 1
 Rope: 4 mm
 Sheave: 16 x 5 mm



Article number	Working load [kg]	Breaking load [kg]	Material sheaves	Bearing	H1 [mm]
35420 000 00	55	220	brass		30
35420 016 A0	47	190	Plastic		30



Kite block 2 pcs set

Amount of sheaves: 1 H1: 30 mm
 Rope: 4 mm
 Sheave: 16 x 5 mm
 Material sheaves: Plastic



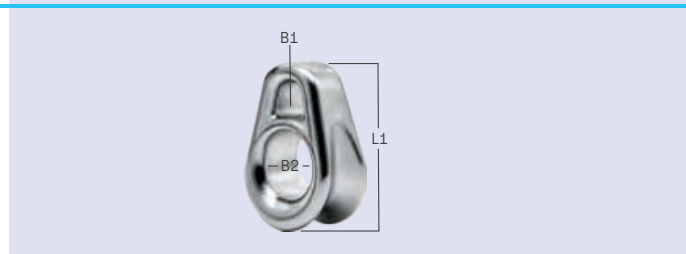
Article number	Working load [kg]	Breaking load [kg]	Width [mm]	Height [mm]	Bearing
35420 916 00	47	190	16	30	



Kite mount fairlead

Material: Stainless steel

Article number	B1 [mm]	B2 [mm]	L1 [mm]
35421 000 56	5	8.8	22



SPECIAL BLOCKS

- heavy duty plain bearing
- rope pulleys made of high quality UV-resistant plastic
- excellent price/performance ratio
- Made in Germany



Maxi block with swivel



Amount of sheaves: 1 **B1:** 25 mm
Rope: 16 mm Ø **H1:** 215 mm
Sheave: 85 x 17 mm
Weight: 746 g
Material sheaves: Plastic
Type of blocks: Block MAXI
360° rotatable: Yes
Width: 86 mm
Height: 218 mm

Article number	Working load [kg]	Breaking load [kg]	Bearing
35001 008 00	1,250	3,000	



Block with swivel, roller



Amount of sheaves: 1 **B1:** 22 mm
Rope: 14 mm Ø **H1:** 129 mm
Sheave: 58 x 14 mm
Weight: 159 g
Material: Stainless steel
Material sheaves: Plastic
360° rotatable: Yes

Article number	Working load [kg]	Breaking load [kg]	Bearing
35002 003 55	350	1,400	

Steering cable block with mounting cramp



Amount of sheaves: 1
 Rope: 12 mm Ø
 Sheave: 65 x 12 mm
 Weight: 66 g
 Material sheaves: Plastic
 360° rotatable: Yes

Article number	Ø Hole [mm]	Bearing
35190 000 55	5	



Steering cable block with open mounting cramp



Amount of sheaves: 1
 Rope: 12 mm Ø
 Sheave: 65 x 12 mm
 Weight: 65 g
 Material sheaves: Plastic
 360° rotatable: Yes

Article number	Ø Hole [mm]	Bearing
35191 000 55	5	



Mast block sliding bearing with cam cleat



Amount of sheaves: 1
 Rope: 4 - 6 mm Ø
 Sheave: 27 x 11 mm
 Weight: 150 g
 Material: Camlan®
 Stainless steel
 Material sheaves: Plastic
 Type of blocks: swivelling mastblock
 Addition: with HT08 sheet clamp and removable roll

Article number	Ø Hole [mm]	Bearing
37439 000 55	5	



STANCHION- & TRAPEZE BLOCKS

- strongly loadable sliding bearing or optionally needle bearing
- application of high quality material: stainless steel and high quality UV-resistant plastic
- wobble riveting avoids sharp burrs at the rivet head
- sheaves of high quality UV-resistant plastic
- easy fixing by means of bolts and rings
- for stanchion \varnothing 25mm
- Made in Germany



S-Block Stanchion block, rotatable and tiltable



Amount of sheaves: 1
 Type of blocks: Stanchion block
 \varnothing Tube: 25 mm

Article number	Rope [mm]	Sheave [mm]	Working load [kg]	Breaking load [kg]	Bearing
35650 110 55	8	27 x 11.5	300	600	
35650 111 55	10	40 x 14.2	360	900	
35650 310 55	8	27 x 11.5	300	600	
35650 311 55	10	40 x 14.2	360	900	



Railing lead



Material: Stainless steel
 \varnothing Tube: 25 mm

- ideal for guiding control and setting lines

Article number	Weight [g]
35166 000 55	39



Swivel with snap



Material: Stainless steel
 \varnothing Tube: 25 mm

Article number	Weight [kg]
35167 000 55	34

Trapeze ring



Material: Stainless steel
Material thickness: 6 mm

- extra strong version
- bulbous design for easy hooking

Article number

38074 001 56



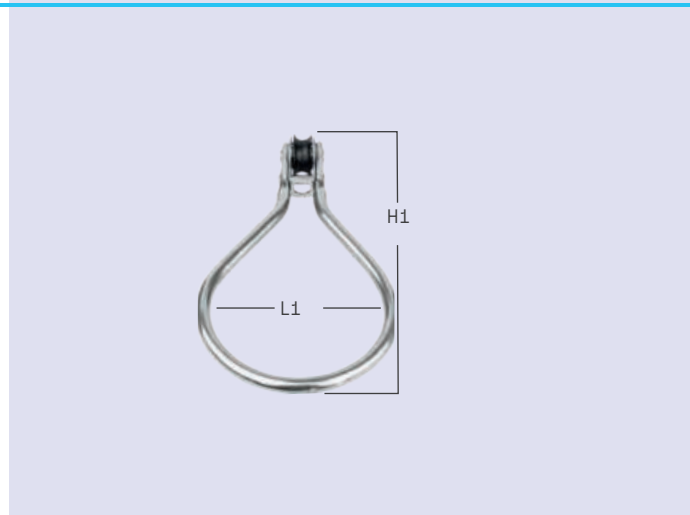
Trapeze ring with Micro XS block



Amount of sheaves: 1
Rope: 6 mm Ø
Sheave: 19 x 8.3 mm
Weight: 57 g
Material sheaves: Plastic

H1: 135 mm
L1: 65 mm

Article number	Working load [kg]	Breaking load [kg]	Bearing
38074 000 55	112	450	



Trapeze ring



Rope: 6 mm
Sheave: 25 x 9.2 mm
Weight: 57 g
Feature: with welded block

Article number	Bearing
38073 001 55	



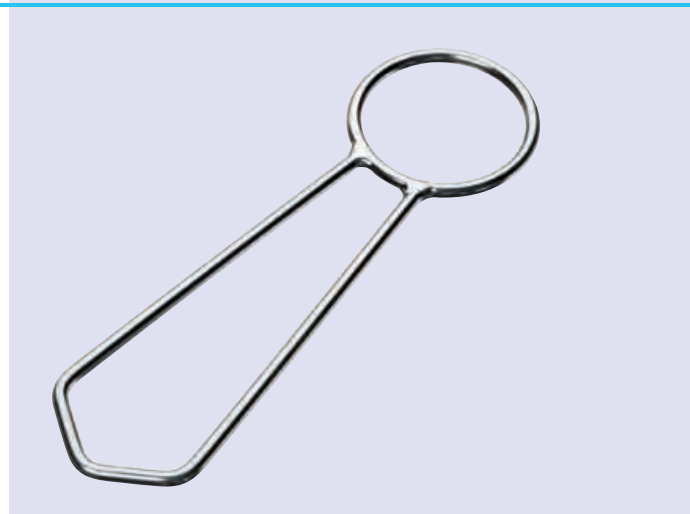
Trapeze ring



Weight: 12 g
Feature: with straight set ring

Article number

38071 000 56



BLOCKS FOR WIRE

- heavy duty slide bearing
- wobble riveting prevents sharp rivet head burrs
- high quality stainless steel sides and housing
- nickel-plated brass sheaves for use with wire and Dyneema
- compact design
- bolt and split ring allow easy mounting and dismounting of bracket and roller
- many variations and applications in the watersports, industrial and DIY sectors
- Made in Germany



H1



35945 000 56

Block with bow (removable)



Amount of sheaves: 1 H1: 70 mm
 Sheave: 30 x 10 mm
 Weight: 69 g
 Material: Stainless steel
 Material sheaves: brass, nickel-plated

Article number	max. Wire [mm Ø]	Working load [kg]	Breaking load [kg]	Bearing
35103 000 55	6	225	900	



H1

Block with shackle



Amount of sheaves: 1 H1: 70 mm
 Sheave: 30 x 7 mm
 Weight: 63 g
 Material: Stainless steel
 Material sheaves: brass, nickel-plated

Article number	max. Wire [mm Ø]	Working load [kg]	Breaking load [kg]	Bearing
35105 000 55	6	162	650	



H2 H1

Block with 2 hollow axes



Amount of sheaves: 1 H1: 64 mm
 Sheave: 35 x 5 mm H2: 36 mm
 Weight: 61 g Ø: 5 mm
 Material: Stainless steel
 Material sheaves: brass, nickel-plated

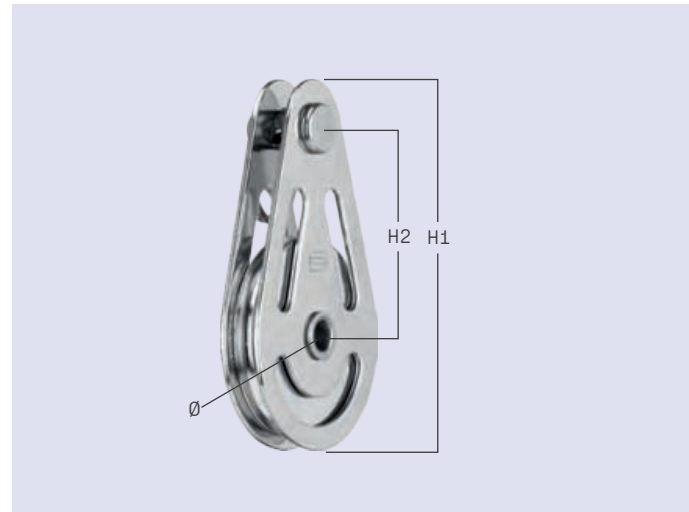
Article number	max. Wire [mm Ø]	Working load [kg]	Breaking load [kg]	Bearing
35108 000 55	4	275	1,100	

Block with hollow axles, bolt, spline ring



Amount of sheaves: 1 **H1:** 64 mm
 Sheave: 35 x 5 mm **H2:** 36 mm
 Weight: 64 g **Ø:** 5 mm
 Material: Stainless steel
 Material sheaves: brass, nickel-plated

Article number	max. Wire [mm Ø]	Working load [kg]	Breaking load [kg]	Bearing
35108 001 55	4	275	1,100	



Super mini block with bow nickel plated



Amount of sheaves: 1 **H1:** 28.5 mm
 Sheave: 16 x 6 mm
 Weight: 12 g
 Material: Stainless steel
 Material sheaves: brass, nickel-plated

Article number	max. Wire [mm]	Working load [kg]	Breaking load [kg]	Bearing
35225 000 55	4	120	480	



Super mini block with bow



Amount of sheaves: 2 **H1:** 28.5 mm
 Sheave: 16 x 6 mm
 Weight: 26 g
 Material: Stainless steel
 Material sheaves: brass, nickel-plated

Article number	max. Wire [mm]	Working load [kg]	Breaking load [kg]	Bearing
35226 000 55	4	235	940	

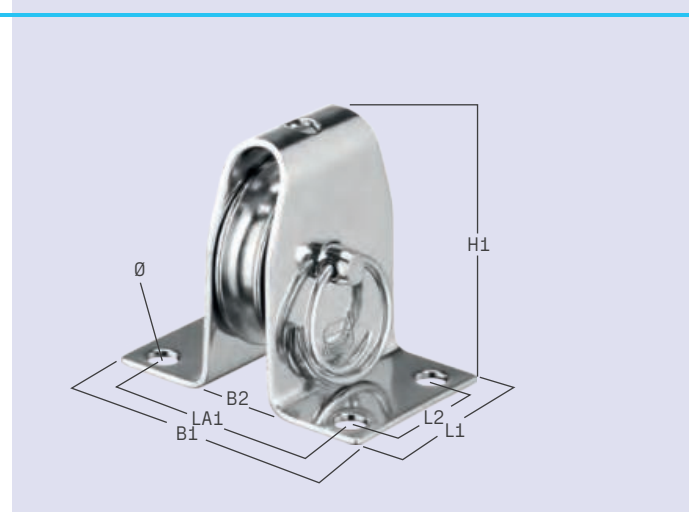


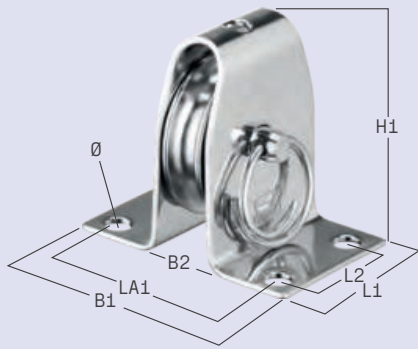
Upright block (removable)



Amount of sheaves: 1 **B1:** 38 mm
 Sheave: 25 x 7 mm **B2:** 8 mm
 Weight: 44 g **H1:** 34 mm
 Material sheaves: brass, nickel-plated **L1:** 25 mm
L2: 17 mm
LA1: 27 mm
Ø: 4 mm

Article number	max. Wire [mm Ø]	Working load [kg]	Breaking load [kg]	Bearing
35111 000 55	4	250	1,000	



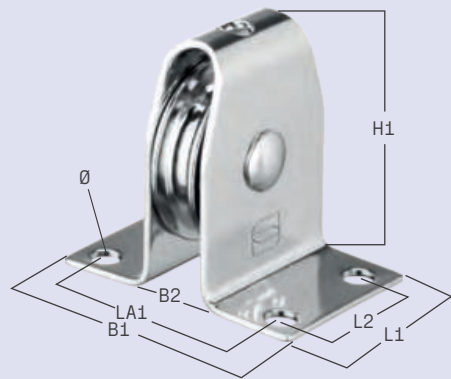


Upright block (removable)

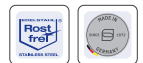


Amount of sheaves: 1 **B1:** 38 mm
Sheave: 30 x 10 mm **B2:** 12 mm
Weight: 61 g **H1:** 42 mm
Material sheaves: brass, nickel-plated **L1:** 25 mm
L2: 16.5 mm
LA1: 28 mm
Ø: 4 mm

Article number	max. Wire [mm Ø]	Working load [kg]	Breaking load [kg]	Bearing
35111 001 55	6	250	1,000	

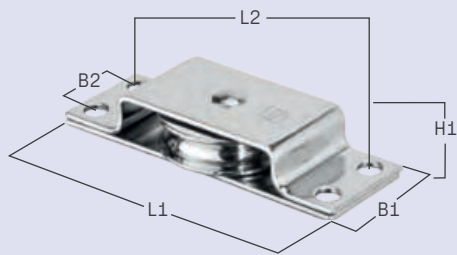


Upright block



Amount of sheaves: 1 **B1:** 38 mm
Sheave: 25 x 7 mm **B2:** 12 mm
Weight: 43 g **H1:** 34 mm
Material sheaves: brass, nickel-plated **L1:** 25 mm
L2: 16.5 mm
LA1: 28.8 mm
Ø: 4 mm

Article number	max. Wire [mm Ø]	Working load [kg]	Breaking load [kg]	Bearing
35111 003 55	4	250	1,000	

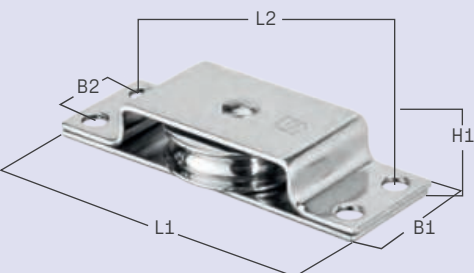


Cheek block for wire



Amount of sheaves: 1 **B1:** 20 mm
Sheave: 25 x 7 mm **B2:** 11.6 mm
Weight: 45 g **H1:** 10 mm
Material sheaves: brass, nickel-plated **L1:** 60 mm
L2: 51 mm
Ø: 4 mm

Article number	max. Wire [mm Ø]	Working load [kg]	Breaking load [kg]	Bearing
35131 000 55	4	225	900	



Cheek block for wire



Amount of sheaves: 1 **B1:** 20 mm
Sheave: 30 x 10 mm **B2:** 11.6 mm
Weight: 66 g **H1:** 13 mm
Material sheaves: brass, nickel-plated **L1:** 68 mm
L2: 59.4 mm
Ø: 4 mm

Article number	max. Wire [mm Ø]	Working load [kg]	Breaking load [kg]	Bearing
35131 001 55	6	225	900	

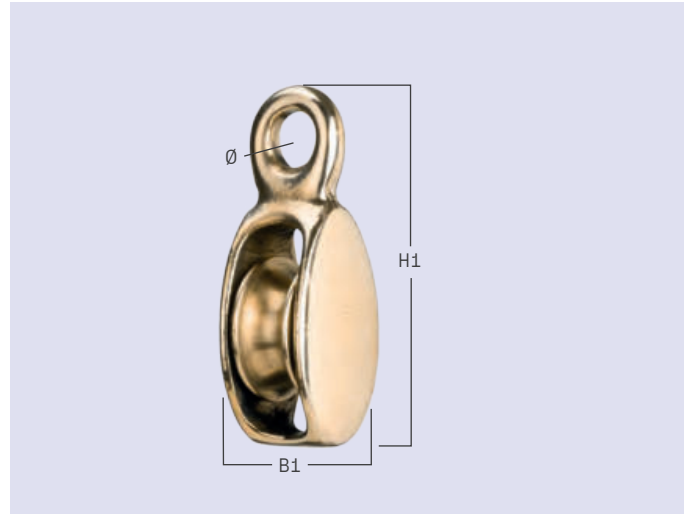
Brass block

Amount of sheaves: 1
 Sheave: 20 x 9 mm
 Weight: 43 g
 Material sheaves: brass

B1: 17 mm
H1: 49 mm
Ø: 7 mm



Article number	max. Wire [mm Ø]	Bearing
35170 050 A0	6	



Block with sheave

Amount of sheaves: 1
 Sheave: 50 x 8 mm
 Weight: 93 g
 Material: Plastic
 Material sheaves: Aluminum

B1: 16 mm
H1: 89 mm



Article number	max. Wire [mm Ø]	Working load [kg]	Breaking load [kg]	Bearing
35258 005 55	6	250	1,000	



HIGH LOAD BLOCKS

- smooth-running ball bearing made of stainless steel
- wooble riveting avoids sharp burrs at the rivet head
- extremely compact shape and low weight
- for wire and Dyneema
- easy fixing by means of bolts and rings
- especially suitable for kicking strap, jigger or trimming lines
- Made in Germany



Block with bow (removable)



Amount of sheaves: 1 **B1:** 26 mm
Rope: 5 mm Ø **H1:** 56 mm
max. Wire: 3 mm Ø
Sheave: 25 x 6 mm
Weight: 37 g
Material: Stainless steel
Material sheaves: Stainless steel

Article number	Working load [kg]	Breaking load [kg]	Bearing
35300 650 55	187	750	

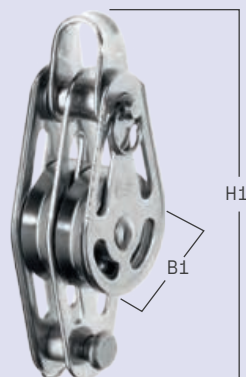


Double block with bow (removable)



Amount of sheaves: 2 **B1:** 26 mm
Rope: 5 mm Ø **H1:** 56 mm
max. Wire: 3 mm Ø
Sheave: 25 x 6 mm
Weight: 62 g
Material: Stainless steel
Material sheaves: Stainless steel

Article number	Working load [kg]	Breaking load [kg]	Bearing
35302 650 55	187	750	



Double block with bow, becket (removable)



Amount of sheaves: 2 **B1:** 26 mm
Rope: 5 mm Ø **H1:** 74 mm
max. Wire: 3 mm Ø
Sheave: 25 x 6 mm
Weight: 71 g
Material: Stainless steel
Material sheaves: Stainless steel

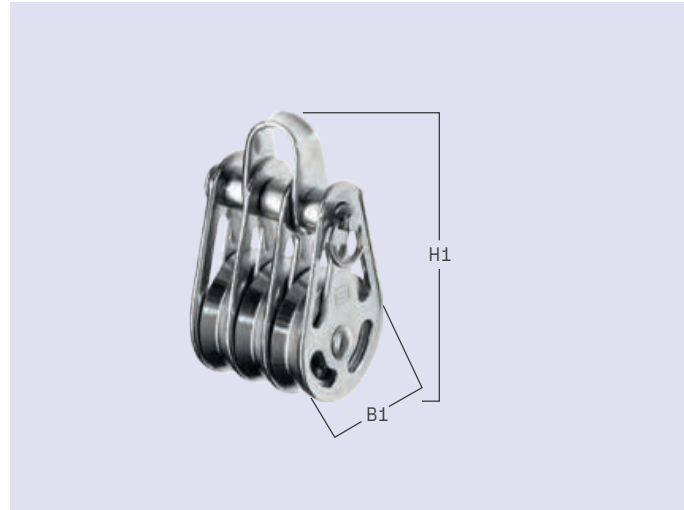
Article number	Working load [kg]	Breaking load [kg]	Bearing
35303 650 55	187	750	

Triple block with bow (removable)



Amount of sheaves: 3 **B1:** 26 mm
 Rope: 5 mm Ø **H1:** 56 mm
 max. Wire: 3 mm Ø
 Sheave: 25 x 6 mm
 Weight: 87 g
 Material: Stainless steel
 Material sheaves: Stainless steel

Article number	Working load [kg]	Breaking load [kg]	Bearing
35304 650 55	187	750	

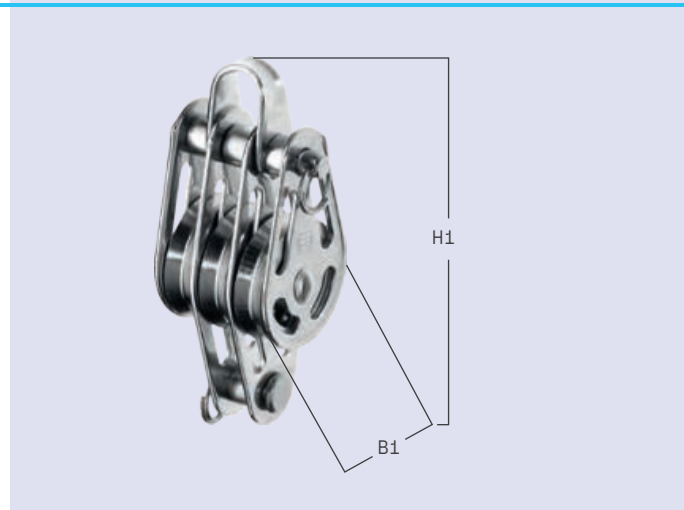


Triple block with bow, becket (removable)



Amount of sheaves: 3 **B1:** 26 mm
 Rope: 5 mm Ø **H1:** 74 mm
 max. Wire: 3 mm Ø
 Sheave: 25 x 6 mm
 Weight: 95 g
 Material: Stainless steel
 Material sheaves: Stainless steel

Article number	Working load [kg]	Breaking load [kg]	Bearing
35305 650 55	187	750	

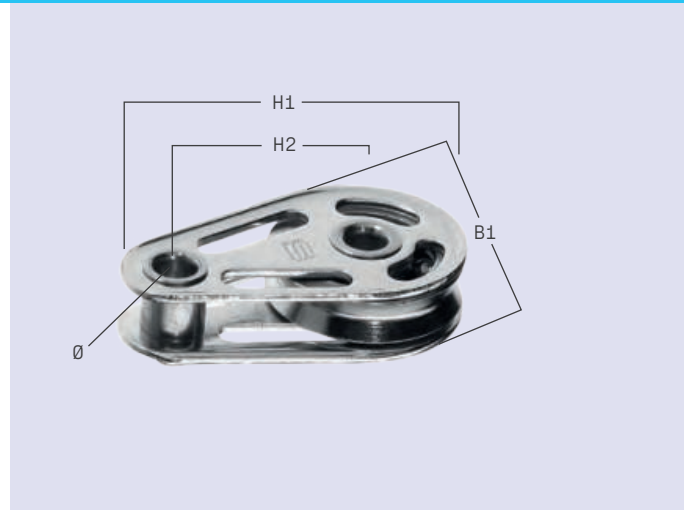


High load cheek block with 2 hollow axles



Amount of sheaves: 1 **B1:** 26 mm
 Rope: 5 mm Ø **H1:** 45 mm
 max. Wire: 3 mm Ø **H2:** 25 mm
 Sheave: 25 x 6 mm **Ø:** 5 mm
 Weight: 29 g
 Material: Stainless steel
 Material sheaves: Stainless steel

Article number	Working load [kg]	Breaking load [kg]	Bearing
35308 650 55	187	750	

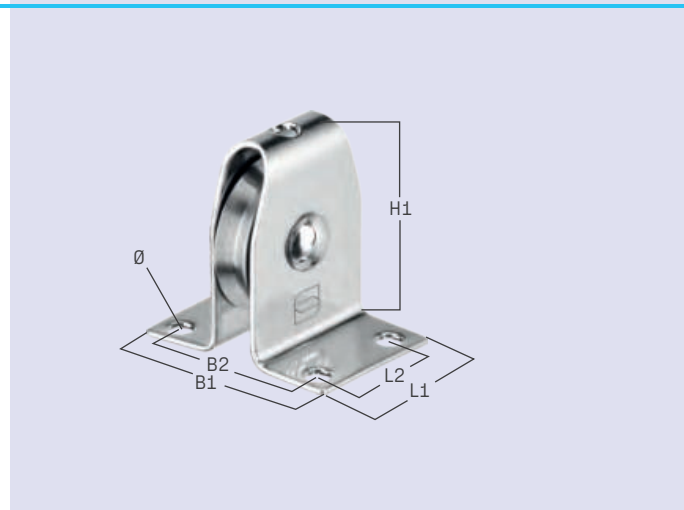


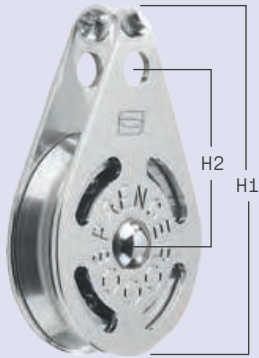
High Load upright block



Amount of sheaves: 1 **B1:** 36 mm
 Rope: 5 mm Ø **B2:** 27 mm
 max. Wire: 3 mm Ø **H1:** 34 mm
 Sheave: 25 x 6 mm **L1:** 25 mm
 Weight: 38 g **L2:** 13 mm
 Material sheaves: Stainless steel **Ø:** 4 mm

Article number	Working load [kg]	Breaking load [kg]	Bearing
35309 650 55	187	750	





Block with bow



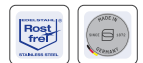
Amount of sheaves: 1
 Rope: 6 mm Ø
 max. Wire: 4 mm Ø
 Sheave: 38 x 8 mm
 Material: Stainless steel
 Material sheaves: Stainless steel

B1: 38 mm
 H1: 61 mm
 H2: 31 mm

Article number	Working load [kg]	Breaking load [kg]	Weight [g]	Bearing
35340 650 55	250	1,000	84	



Cheek block with 2 hollow axles



Amount of sheaves: 1
 Rope: 6 mm Ø
 max. Wire: 4 mm Ø
 Sheave: 38 x 8 mm
 Material: Stainless steel
 Material sheaves: Stainless steel

B1: 38 mm
 H1: 61 mm
 H2: 30 mm

Article number	Working load [kg]	Breaking load [kg]	Weight [g]	Bearing
35341 650 55	250	1,000	115	

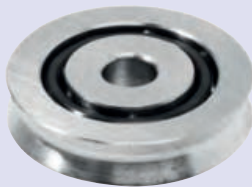


Suiting swivel for High Load Blocks 25 mm



Material: Stainless steel
 360° rotatable: Yes

Article number	Weight [g]
35985 010 55	11

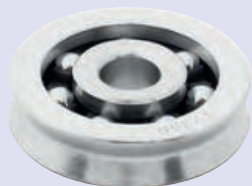


Sheave ball



Material: Stainless steel
 Feature: for High Load Blocks 38 mm

Article number	Rope [mm Ø]	max. Wire [mm Ø]	Sheave [mm]	Weight [g]	Ø Hole [mm]	Bearing
30946 000 55	6	4	38 x 8	50	8	



Sheave ball



Material: Stainless steel
 Feature: for High Load Blocks 25 mm

Article number	Rope [mm Ø]	max. Wire [mm Ø]	Sheave [mm]	Weight [g]	Ø Hole [mm]	Bearing
30945 000 55	5	3	25 x 6.6	14	6	



Spring



Suitable for: all 10 mm plastic blocks
 all 8 mm blocks (stainless steel)
 Feature: for High Load Blocks 25 mm
 Length: 43 mm
 Ø Inside: 23.5 mm

Article number	Weight [g]
34995 004 55	10

SPRINGS

- application made of high quality material: stainless steel
- optimized spring programme, by less thread turns we reach a larger stability
- springs are matched with the SPRENGER block programme
- low weight and excellent price/performance ratio
- Made in Germany

for Micro XS



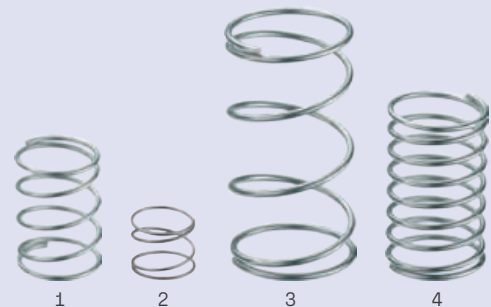
Article number	Weight [g]	Length [mm]	Suitable for	Ø Inside [mm]
34995 007 55	3	20.5	Micro XS	20.5



Straight



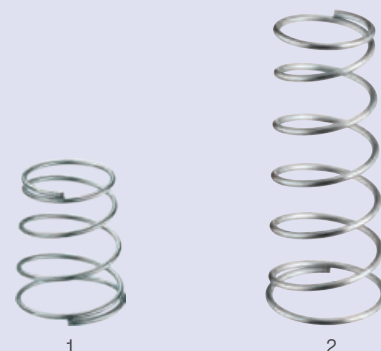
Article number	Weight [g]	Feature	Length [mm]	Suitable for	Ø Inside [mm]
34995 000 55	7	-	33	all 8 mm plastic blocks all 6 mm blocks (stainless steel sides)	20
34995 001 55	3	-	17	various	14.5
34995 003 55	7	-	62	all 12 mm plastic blocks	28
34995 004 55	10	for High Load Blocks 25 mm	43	all 10 mm plastic blocks all 8 mm blocks (stainless steel)	23.5



Tapered

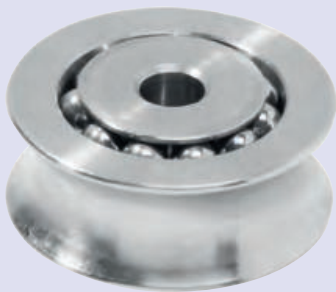
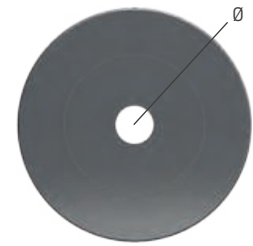


Article number	Weight [g]	Length [mm]	Suitable for	Ø Outside [mm]	Ø Inside [mm]
34995 002 55	7	40	all 8 mm plastic blocks	29	24
34995 005 55	14	76	Ratchet blocks	28	22



SHEAVES

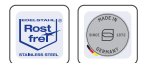
- available with smooth running ball bearing or heavy duty plain bearing
- models of quality 00 and 63 made of high quality UV-resistant plastic
- quality 55 stainless steel models
- excellent price/performance ratio
- Made in Germany



Sheave ball

Material: Stainless steel

- for swiveling mast block
- usable as halyard block



Article number	Rope [mm Ø]	Sheave [mm]	Ø Hole [mm]	Bearing
30940 008 55	8	27 x 10.5	5	



Sheave ball

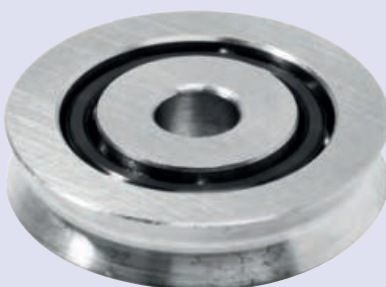
Material: Stainless steel

Feature: for High Load Blocks 25 mm

- ball bearing cage of high quality plastic



Article number	Rope [mm Ø]	max. Wire [mm Ø]	Sheave [mm]	Weight [g]	Ø Hole [mm]	Bearing
30945 000 55	5	3	25 x 6.6	14	6	



Sheave ball

Material: Stainless steel

Feature: for High Load Blocks 38 mm






- ball bearing cage of high quality plastic

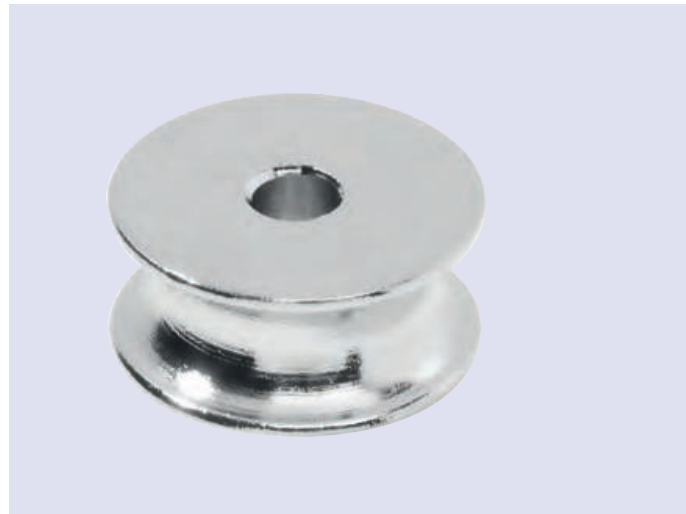


Article number	Rope [mm Ø]	max. Wire [mm Ø]	Sheave [mm]	Weight [g]	Ø Hole [mm]	Bearing
30946 000 55	6	4	38 x 8	50	8	

Sheave ball



Material: Brass II. nickel plated

Article number	Rope [mm Ø]	max. Wire [mm Ø]	Sheave [mm]	Ø Hole [mm]	Bearing
30950 001 34	4.5	4.5	13 x 6	4.3	
30950 002 34	6	6	17 x 8	4.3	
30950 004 34	8	8	20 x 9	4.6	
30950 005 34	8	8	25 x 10	5.3	
30950 006 34	8	8	30 x 10	6.2	



Sheave



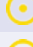
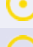
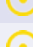
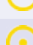




Material: Plastic

Article number	Rope [mm Ø]	Sheave [mm]	Ø Hole [mm]	Bearing
30960 005 00	8	27 x 11	5	
30960 006 00	8	27 x 11	6	



Sliding bearing Hostaform C®

Material: Plastic

Article number	Rope [mm Ø]	Sheave [mm]	Ø Hole [mm]	Bearing
30970 001 63	8	22 x 10.5	5.2	
30970 002 63	8	22 x 10.5	8.2	
30970 026 63	10	26 x 11.5	8.2	
30970 029 63	12	29 x 13.5	8.2	
30970 030 63	8	30 x 10.8	8.2	
30970 035 63	10	35 x 11.5	8.2	
30970 042 63	12	42 x 13.5	8.2	
30970 046 63	10	46 x 11.5	8.2	
30970 050 63	12	50 x 13.8	8.2	
30980 063 63	6	63 x 12	6.1	



LOW FRICTION RINGS - Aluminium hard anodised

- quick to install
- high workloads
- low weight
- resistible

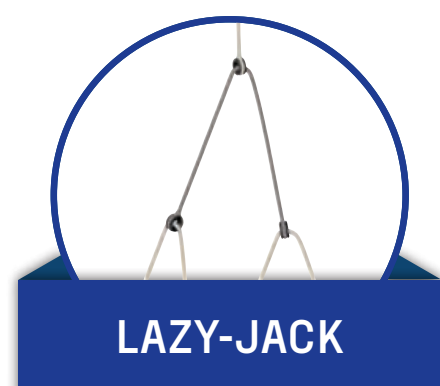


Low Friction ring

Material: Aluminium, hard anodised

Article number	Working load [kg]	Breaking load [kg]	Rope [mm]	Width [mm]	Ø Outside [mm]	Ø Hole [mm]
30000 007 52	280	500	5	9	18	7
30000 010 52	640	1100	7	11	24.5	10
30000 014 52	1015	1750	10	15.7	34	14
30000 020 52	3000	5100	14	22	49.5	20
30000 028 52	4500	7400	20	30.7	69.5	28

LOW FRICTION RING IN ACTION



ROPE SHACKLE WITH DYNEEMA® SK78

The high-tech rope Dyneema® SK78, from which the rope shackles are made, has a very high breaking load and very low elongation values - due to the heat-stretch system. The fibre rope made of high-strength Dyneema® SK78 has a working elongation of less than 1%, a very low weight and a high UV stability as well as abrasion resistance. This makes Dyneema® the ideal material for use on board. In the form of a cordage shackle, Dyneema® is versatile.

The properties of Dyneema® SK78:

- extremely light and resistant
- floatable
- high to very high breaking strength
- good abrasion resistance
- high UV resistance



ROPE SHACKLE WITH ROUND THIMBLE

Order number	Versions	Length [mm]	B/L [daN]	SWL [daN]
34010 112 00	Rope shackle dop. black 2,5mm with round thimble			
34010 114 00	Rope shackle dop. black 4mm with round thimble	100	1200	400
34010 115 00	Rope shackle dop. black 5mm with round thimble	130	2300	750

ROPE SHACKLE SINGLE

Order number	Versions	Length [mm]	B/L [daN]	SWL [daN]
34011 104 00	Rope shackle black 4 mm	200	900	300
34011 106 00	Rope shackle black 6 mm	230	1500	500
34011 108 00	Rope shackle black 8 mm	270	2875	960
34011 110 00	Rope shackle black 10 mm	300	3250	1080
34011 112 00	Rope shackle black 12 mm	350	5500	1800
34010 104 00	Rope shackle double black 4 mm	170	1500	500
34010 105 00	Rope shackle double black 5 mm	180	2800	930
34010 106 00	Rope shackle double black 6 mm	210	3250	1050
34010 108 00	Rope shackle double black 8 mm	250	5750	1900

COMPLETE TACKLES

- with high-quality components “Made in Germany”
- optionally with needle bearing, plain bearing or ball bearing
- wobble riveting prevents sharp burrs on the rivet head
- sides in high quality UV resistant plastic, stainless steel or seawater resistant aluminium Aluminium (anodised)
- rope pulley made of high-quality UV-resistant plastic
- German quality rope
- professionally spliced
- supplied in a practical resealable storage bag



Main sheet tackle



Weight: 1500 g Rope length: 15 m
 Material: Stainless steel
 Rope: 10 mm Ø
 Material sheaves: Plastic

Article number	Working load [kg]	Breaking load [kg]	Article no. blocks	Bearing
35180 415 00	560	1,400	35657 492 00 35656 302 55	
35181 215 00	560	1,400	35657 292 00 35656 102 55	



Main sheet tackle



Weight: 2550 g Rope length: 20 m
 Material: Stainless steel
 Rope: 12 mm Ø
 Material sheaves: Plastic

Article number	Working load [kg]	Breaking load [kg]	Article no. blocks	Bearing
35182 420 00	560	1,400	35657 492 00 35656 302 55	
35183 220 00	560	1,400	35657 292 00 35656 102 55	

Assembly example:
Ratio 2:1



Assembly example:
Ratio 6:1



Downhaul tackle

Rope: 6 mm Ø Rope length: 5 m
 Weight: 274 g
 Material: Aluminum
 Material sheaves: Plastic



Article number	Working load [kg]	Breaking load [kg]	Article no. blocks	Bearing
35184 005 54	112	450	35121 001 54 35122 001 54	



Downhaul tackle

Rope: 6 mm Ø Rope length: 5 m
 Weight: 351 g
 Material: Stainless steel
 Material sheaves: Plastic



Article number	Working load [kg]	Breaking load [kg]	Article no. blocks	Bearing
35185 005 55	200	800	35123 001 55 35021 001 55	



Downhaul tackle

Rope: 6 mm Ø Rope length: 5 m
 Weight: 267 g
 Material: Stainless steel
 Material sheaves: Plastic



Article number	Working load [kg]	Breaking load [kg]	Article no. blocks	Bearing
35186 005 55	175	700	35120 001 55 35065 010 55	



Downhaul tackle

Rope: 6 mm Ø Rope length: 5 m
 Weight: 276 g
 Material: Stainless steel
 Material sheaves: Plastic









Article number	Working load [kg]	Breaking load [kg]	Article no. blocks	Bearing
35187 005 55	112	450	35317 600 55 35322 600 55	



BALL BEARING BLOCKS FOR 8 MM ROPE

Article	Article No.	Feature	Working load [kg]	Break Load [kg]	Roll size [mm]	Weight [g]
	35250 600 00	1 sheave, bow	150	600	27 x 11,5	40
	35250 700 00	1 sheave, swivel	150	600	27 x 11,5	37
	35250 800 55	1 sheave, hollow axles	150	600	27 x 11,5	21
	35250 750 55	1 sheave, u-swivel	150	600	27 x 11,5	44
	35250 900 55	1 sheave, through-bow	150	600	27 x 11,5	28
	35253 600 00	1 sheave, becket, bow	150	600	27 x 11,5	44
	35251 600 00	2 sheaves, bow	150	600	27 x 11,5	48
	35254 600 00	2 sheaves, becket, bow	150	600	27 x 11,5	60

Article	Article No.	Feature	Working load [kg]	Break Load [kg]	Roll size [mm]	Weight [g]
	35252 600 55 35252 700 55	3 sheaves, becket, bow 3 sheaves, swivel riveted	150	600	27 x 11,5 27 x 11,5	67 77
	35255 600 55 35255 700 55	3 sheaves, becket, bow 3 sheaves, becket, swivel riveted	150	600	27 x 11,5 27 x 11,5	80 89
	35270 790 55	Mainsheet block, 1 sheave, becket, cam cleat, swivel	150	600	27 x 11,5	125
	35271 790 55	Mainsheet block, 3 sheaves, becket, cam cleat, swivel	150	600	27 x 11,5	146
	34995 002 55	Suitable spring	150	600	-	7
	35985 001 55	Suitable swivel	150	600	-	11
	37921 010 55	Suitable fairlead	150	600	-	5

SLIDING BEARING BLOCKS FOR 8 MM ROPE

Article	Article No.	Feature	Working load [kg]	Break Load [kg]	Roll size [mm]	Weight [g]
	35250 100 00	1 sheave, bow	150	600	27 x 11,5	33
	35250 200 00	1 sheave, swivel	150	600	27 x 11,5	40
	35250 400 55	1 sheave, through bow	150	600	27 x 11,5	31
	35253 100 00	1 sheave, bow, becket	150	600	27 x 11,5	45
	35162 100 55	Stanchion block for 25 mm Ø, rotatable and tiltable	150	600	27 x 11,5	59
	35251 100 00	2 sheaves, bow	150	600	27 x 11,5	53
	35254 100 00	2 sheaves, bow, becket	150	600	27 x 11,5	66
	34995 002 55	Suitable spring	150	600	27 x 11,5	7
	35985 001 55	Suitable swivel	150	600	27 x 11,5	11
	37921 010 55	Suitable fairlead	150	600	-	5



SPRENGER

**TRUST IN WHAT
IS TO COME,
HAS TRADITION.**



VISIT [SPRENGER.DE](https://www.sprenger.de)

Herrn. Sprenger

HANDCRAFTED FOR BOAT SPORTS
SINCE 1872

BALL BEARING BLOCKS FOR 10 MM ROPE

Article	Article No.	Feature	Working load [kg]	Break Load [kg]	Roll size [mm]	Weight [g]
	35250 601 00	1 sheave, bow	212	850	35 x 12	53
	35250 701 00	1 sheave, swivel	212	850	35 x 12	70
	35250 751 55	1 sheave, u-swivel	212	850	35 x 12	58
	35162 601 55	Block with mounted fender cleat and spring	212	850	35 x 12	78
	35253 601 00	Stanchion block for 25 mm Ø rotatable and tiltable	212	850	35 x 12	69
	35251 601 00 35251 701 00	1 sheave, bow, becket 1 sheave, swivel, becket	212	850	35 x 12 35 x 12	85 102
	35254 601 00	2 sheaves, bow, becket	212	850	35 x 12	100
	35252 601 55 35252 701 55	3 sheaves, bow, riveted 3 sheaves, swivel, riveted	212	850	35 x 12 35 x 12	123 135

Article	Article No.	Feature	Working load [kg]	Break Load [kg]	Roll size [mm]	Weight [g]
	35255 601 55	3 sheaves, becket, bow, riveted	212	850	35 x 12	130
	35256 601 00 35256 701 00	Fiddle block, 2 sheaves, bow Fiddle block, 2 sheaves, swivel	212	850	46 x 12 26 x 12	126 197
	35270 791 55	Mainsheet block 1 sheave, becket, cam cleat HT13, swivel	212	850	35 x 12	212
	35271 791 55	Mainsheet block 3 sheaves, becket, cam cleat HT13, swivel	212	850	35 x 12	276
	35257 791 55	Mainsheet block 2 sheaves, fiddle block, cam cleat HT13, swivel	212	850	46 x 12 26 x 12	270
	34995 004 55	Suitable spring	212	850	-	10
	35985 002 55	Suitable swivel	212	850	-	20
	37921 010 55	Suitable fender cleat	212	850	-	5

SLIDING BEARING BLOCKS FOR 10 MM ROPE

Article	Article No.	Feature	Working load [kg]	Break Load [kg]	Roll size [mm]	Weight [g]
	35250 101 00 35250 201 00	1 sheave, bow 1 sheave, swivel	212	850	35 x 12 35 x 12	47 65
	35253 101 00	1 sheave, bow, becket	212	850	35 x 12	61
	35251 101 00	2 sheaves, bow	212	850	35 x 12	75
	35254 101 00	2 sheaves, bow, becket	212	850	35 x 12	92
	35256 211 55	Fiddle block with becket 2 sheaves, swivel	212	850	46 x 12 26 x 12	148
	35256 101 00 35256 201 00	Fiddle block, 2 sheaves, bow Fiddle block, 2 sheaves, swivel	212	850	46 x 12 26 x 12	116 136
	35257 291 55	Mainsheet block 2 sheaves, fiddle block, cam cleat HT13, swivel	212	850	46 x 12 26 x 12	260
	35270 291 55	Mainsheet block 1 sheave, fiddle block, becket, cam cleat HT13, swivel	212	850	35 x 12	209
	34995 004 55	Suitable spring	212	850	-	7
	35985 002 55	Suitable swivel	212	850	-	20

SLIDING BEARING BLOCKS FOR 12 MM ROPE

Article	Article No.	Feature	Working load [kg]	Break Load [kg]	Roll size [mm]	Weight [g]
	35250 102 00 35250 202 00	1 sheave, bow 1 sheave, swivel	250	1.000	50 x 14 50 x 14	83 109
	35253 102 00	1 sheave, bow, becket	250	1.000	50 x 14	107
	35251 102 00 35251 202 00	2 sheaves, bow 2 sheaves, swivel	250	1.000	50 x 14 50 x 14	152 163
	35254 102 00	2 sheaves, bow, becket	250	1.000	50 x 14	160
	35252 102 55	3 sheaves, bow	250	1.000	50 x 14	193
	35256 102 00 35256 202 00	Fiddle block, 2 sheaves, bow Fiddle block, 2 sheaves, swivel	250	1.000	50 x 14, 29 x 14	185 210
	35256 212 55	Fiddle block with becket 2 sheaves, swivel	250	1.000	50 x 14 29 x 14	227
	35257 292 55	Mainsheet block 2 sheaves, fiddle block, becket, cam cleat HT13, swivel	250	1.000	50 x 14 29 x 14	335
	34995 003 55	Suitable spring	250	1.000	-	7
	35985 003 55	Suitable swivel	250	1.000	-	11

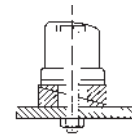
BALL BEARING BLOCKS FOR 12 MM ROPE

Article	Article No.	Feature	Working load [kg]	Break Load [kg]	Roll size [mm]	Weight [g]
	35250 602 00	1 sheave, bow	250	1.000	50 x 14	89
	35250 702 00	1 sheave, swivel	250	1.000	50 x 14	113
	35250 752 55	1 sheave, u-swivel	250	1.000	50 x 14	116
	35269 602 55	1 sheave, snap shackle	250	1.000	50 x 14	138
	35253 602 00	1 sheave bow, becket	250	1.000	50 x 14	115
	35251 602 00 35251 702 00	2 sheaves, bow 2 sheaves, swivel	250	1.000	50 x 14 50 x 14	146 172
	35254 602 00 35254 702 00	2 sheaves, bow, becket 2 sheaves, swivel, becket	250	1.000	50 x 14 50 x 14	172 197
	35252 602 55 35252 702 55	3 sheaves, bow 3 sheaves, swivel	250	1.000	50 x 14 50 x 14	200 228
	35255 602 55	3 sheaves, becket, bow	250	1.000	50 x 14	231
	35270 792 55	Mainsheet block, 1 sheave, swivel, becket, cam cleat HT13	250	1.000	50 x 14	276

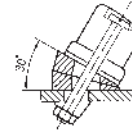
Article	Article No.	Feature	Working load [kg]	Break Load [kg]	Roll size [mm]	Weight [g]
	35256 712 55	Fiddle block 2 sheaves, swivel, becket	250	1.000	50 x 14 29 x 14	222
	35256 602 00 35256 702 00	Fiddle block, 2 sheaves, bow Fiddle block, 2 sheaves, swivel	250	1.000	50 x 14 29 x 14	195 197
	35267 602 55	Fiddle block 2 sheaves, snap shackle	250	1.000	50 x 14 29 x 14	245
	35271 792 55	Mainsheet block 3 sheaves, swivel, becket, cam cleat HT13	250	1.000	50 x 14	391
	35257 792 55	Mainsheet block 2 sheaves, fiddle block, swivel, cam cleat HT13	250	1.000	50 x 14 29 x 14	347
	35268 692 55	Mainsheet block 2 sheaves, fiddle block, snap shackle, cam cleat HT13	250	1.000	50 x 14 29 x 14	376
	34995 003 55	Suitable spring	250	1.000	-	-
	35985 003 55	Suitable swivel	250	1.000	-	-
	37921 016 55	Suitable fender cleat	250	1.000	-	9

CAMLAN® CAM CLEAT

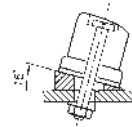
- abrasion and wear resistant
- temperature and salt water resistant
- easy sheet insertion and removal
- springs: Stainless steel
- extensive accessories



2 bases against each other = straight plinth



on top of each other = 30°



1 base 15°



Camlan® cam cleat sliding bearing



Material: Camlan®
Material groundplate: Polyamide

Article number	Rope [mm]	Weight [g]	Ø Hole [mm]	Bearing	LA1 [mm]
36695 008 63	3 - 6	21	4		29
36695 013 63	8 - 13	43	5		40



Camlan® cam cleat sliding bearing Lead in front of the cleat



Material: Camlan®
Material groundplate: Polyamide

Article number	Rope [mm]	Weight [g]	Ø Hole [mm]	Bearing	LA1 [mm]
36696 008 63	3 - 6	29	4		29
36696 013 63	8 - 13	69	5		40



Camlan® cam cleat sliding bearing Special lead



Material: Camlan®
Material groundplate: Polyamide

Article number	Rope [mm]	Weight [g]	Ø Hole [mm]	Bearing	LA1 [mm]
36698 008 63	3 - 6	37	4		29
36698 013 63	8 - 13	83	5		40

Camlan® cam cleat sliding bearing with stainless steel groundplate and rope lead



Material: Camlan®
Material groundplate: Stainless steel

Article number	Rope [mm]	Weight [g]	Ø Hole [mm]	Bearing	LA1 [mm]
36695 908 63	3 - 6	43	4		29
36695 913 63	8 - 13	85	5		40



Cam cleat needle bearing



Material: Camlan®
Aluminum
Material groundplate: Stainless steel

Article number	Rope [mm]	Weight [g]	Ø Hole [mm]	Bearing	LA1 [mm]
36685 008 54	3 - 6	49	4		29
36685 013 54	8 - 13	98	5		40



Top bow for Camlan® cam cleat



Material: Stainless steel
Feature: 1 set = 2 pcs on card

Article number	Rope [mm]	Weight [g]	Ø Hole [mm]	LA1 [mm]
36681 008 55	3 - 6	14	5	29
36681 013 55	8 - 13	16	5	40
36681 016 55	13 - 16	25	5	51

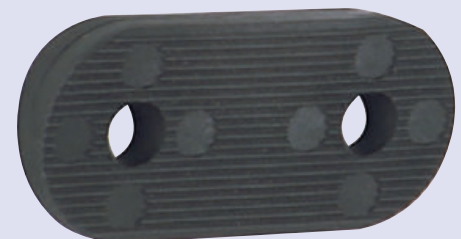


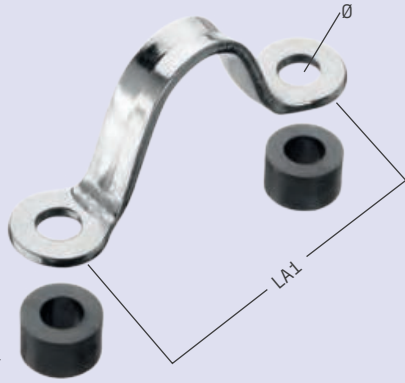
Wedge 15°



Material: Polyamide
Feature: 1 set = 2 pcs on card

Article number	Rope [mm]	Weight [g]	Ø Hole [mm]	LA1 [mm]
36683 008 00	3 - 6	15	6	29
36683 013 00	8 - 13	23	6	40
36683 016 00	13 - 16	38	6	51





Top bow for Camlan® Cam cleat



Material: Stainless steel
Material groundplate: Polyamide
Feature: 1 set = 2 pcs on card with washers

Article number	Rope [mm]	Weight [g]	Ø Hole [mm]	LA1 [mm]
36684 013 55	8 - 13	18	5	40



Special rope lead for Camlan® Cam cleat



Material: Stainless steel
Material groundplate: Polyamide
Feature: Ground plate and washers

Article number	Rope [mm]	Weight [g]	Ø Hole [mm]	LA1 [mm]
36687 008 63	3 - 6	20	4	29
36687 013 63	8 - 13	42	5	40



Rope lead for Camlan® Cam cleat



Material: Stainless steel
 Polyamide
Feature: Ground plate, rope lead in front of the cleat

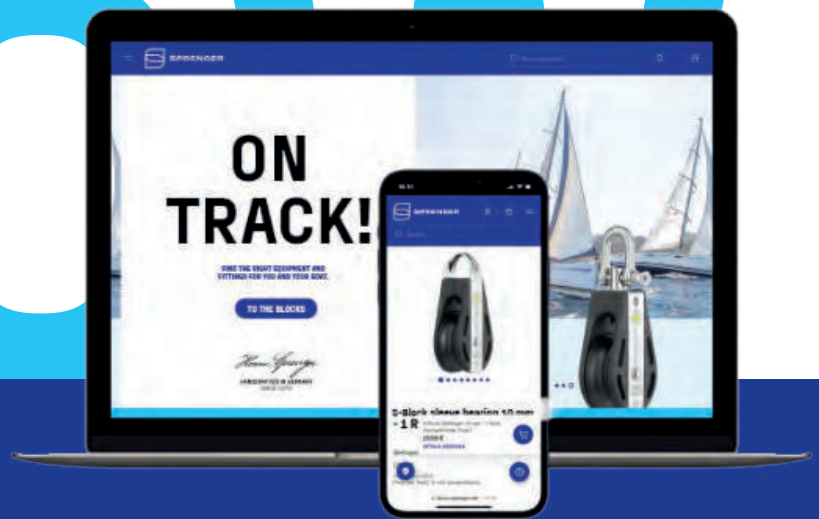
Article number	Rope [mm]	Weight [g]	Ø Hole [mm]	LA1 [mm]
36688 008 63	3 - 6	13	4	29
36688 013 63	8 - 13	28	5	40



SHOP

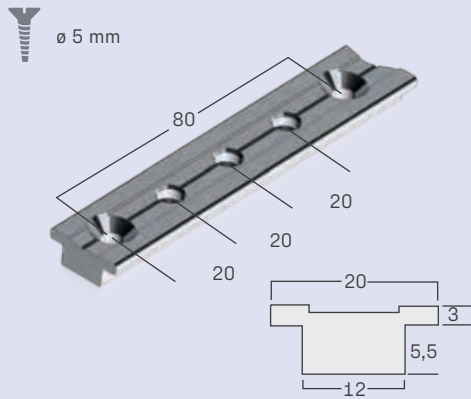


VISIT [SPRENGER.DE](https://www.sprengrer.de)



QUICK AND EASY TO YOUR PRODUCT OF CHOICE:

- over 1,500 products related to boating
- dealer search – very simple by place or postcode
- compile your own wish list and direct transmission to the dealer of your choice
- browse and discover our digital catalogue of our world products
- you will also find current information on the trade fairs – such as the Boot Düsseldorf



T-track 20 x 3 mm

Material: seawater-resistant Aluminum, anodised
Color: silver
max. boat length: 7 m
Ø Hole: 5 mm

- special lengths are possible up to 3 m on request
- special delivery from a track length of 120 cm

Article number	Length [cm]
35455 ___ 54	030 / 040 / 050 / 100 / 150 / 200



Genua slide



Material: seawater-resistant Aluminum, anodised
Material sheaves: Plastic
Color: silver
max. boat length: 7 m

- loose sheave no. 17328
- genua slides manufactured of an extruded section, i.e. high accuracy grade, high consistency, no air inclusions

Article number	Length [mm]	Bearing
35458 200 54	65	



Genua slide



Material: seawater-resistant Aluminum, anodised
Material sheaves: Plastic
Color: black
max. boat length: 7 m

- loose sheave no. 17328
- genua slides manufactured of an extruded section, i.e. high accuracy grade, high consistency, no air inclusions

Article number	Length [mm]	Bearing
35458 200 53	65	



End piece, 1 pair



Material: Plastic
Color: black
max. boat length: 7 m
Addition: for sliding on

Article number	Material	Color	max. boat length [m]	Ø Diameter [mm]	Ø Hole [mm]
35471 020 63	-	-	-	5	-
35459 020 63	Plastic	black	7	-	5

Slide with bow



Material: Stainless steel
max. boat length: 7 m
Addition: Bow longitudinal

Article number	Length [mm]
35522 020 55	65



Slide with bow across



Material: Stainless steel
max. boat length: 7 m

Article number	Working load [kg]	Breaking load [kg]	Length [mm]
35531 020 55	125	500	65



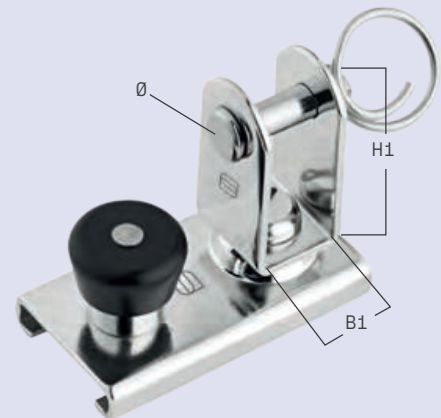
Genoa slide with u-swivel



Material: Stainless steel
max. boat length: 7 m

B1: 11 mm
H1: 12 mm
Ø: 5 mm

Article number	Length [mm]
35558 020 55	65



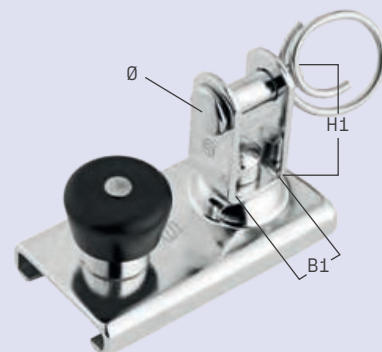
Genoa slide with u-swivel

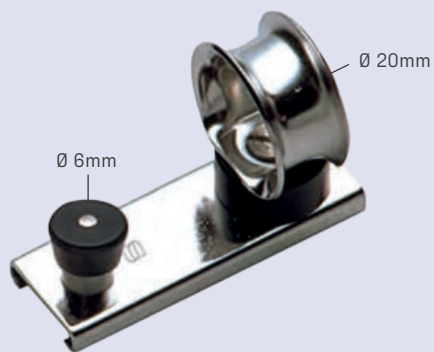


Material: Stainless steel
Type: Slide for 20 x 4 track
max. boat length: 7 m

B1: 8 mm
H1: 7 mm
Ø: 5 mm

Article number	Length [mm]
35560 020 55	45





Slide with rotatable rope guide

Material: Stainless steel
360° rotatable: Yes
max. boat length: 7 m



Article number	Length [mm]
35565 020 55	65



Slide with block

Material: Stainless steel
max. boat length: 7 m
Addition: welded strap, with mounted spring

■ for 12 mm rope



Article number	Length [mm]	Bearing
35570 020 55	65	



Slide with block

Material: Stainless steel
Material sheaves: Plastic
max. boat length: 7 m
Addition: welded strap, with mounted spring

■ for 12 mm rope
 ■ block with strap no. 16816, loose slide no. 17810



Article number	Length [mm]	Bearing
35571 020 55	65	



Slide with block

Material: Stainless steel
Material sheaves: Plastic
360° rotatable: Yes
max. boat length: 7 m
Addition: with mounted spring

■ for 12 mm rope
 ■ loose slide no. 17816

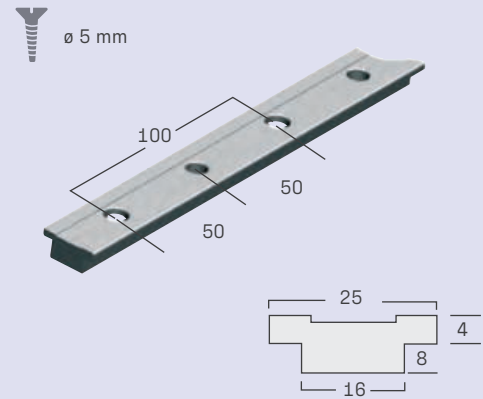


Article number	Length [mm]	Bearing
35575 020 55	65	

T-track 25 x 4 mm

- Material:** seawater-resistant Aluminum, anodised
- Color:** silver
- max. boat length:** 9 m
- Ø Hole:** 5 mm
- special lengths are possible up to 3 m on request
 - special delivery from a track length of 120 cm

Article number	Length [cm]
35457 ___ 54	100 / 150 / 200 / 250



Genua slide



- Material:** seawater-resistant Aluminum, anodised
- Material sheaves:** Aluminum
- Color:** silver
- max. boat length:** 9 m
- Addition:** with sliding shoe
- loose sheave no. 17062
 - sliding block 2x 14809
 - genua slides manufactured of an extruded section, i.e. high accuracy grade, high consistency, no air inclusions

Article number	Length [mm]	Ø Stud [mm]	Bearing
35458 250 54	88	8	



Genua slide



- Material:** seawater-resistant Aluminum, anodised
- Material sheaves:** Aluminum
- Color:** black
- max. boat length:** 9 m
- Addition:** with sliding shoe
- loose sheave no. 17062
 - sliding block 2x 14809
 - genua slides manufactured of an extruded section, i.e. high accuracy grade, high consistency, no air inclusions

Article number	Length [mm]	Ø Stud [mm]	Bearing
35458 250 53	88	8	



Genua slide cockpit adjustment



- Sheave:** 40 x 25 mm 8 mm
- Material:** seawater-resistant Aluminum, anodised
- Color:** silver
- max. boat length:** 9 m
- Addition:** with sliding shoe, mounted shackle, pivoting sheave
- preserved of pitching on deck
 - genua slides manufactured of an extruded section, i.e. high accuracy grade, high consistency, no air inclusions

Article number	Length [mm]	Bearing
35460 025 54	88	





End piece for genua slide cockpit adjustment



Material:	seawater-resistant Aluminum, anodised	■ mountable with allen wrench without drilling
Color:	silver	■ genua slides manufactured of an extruded section, i.e. high accuracy grade, high consistency, no air inclusions
max. boat length:	9 m	
Addition:	with mounted midi-block with sliding bearing	


Article number	Length [mm]	Thread
35461 025 54	90	M 8



Slide with ball bearing block



Rope:	12 mm
Material:	Stainless steel
Type:	Slide for 25 x 4 track
360° rotatable:	Yes
max. boat length:	9 m
Addition:	welded strap with mounted spring

Article number	Length [mm]	Bearing
35570 025 55	65	

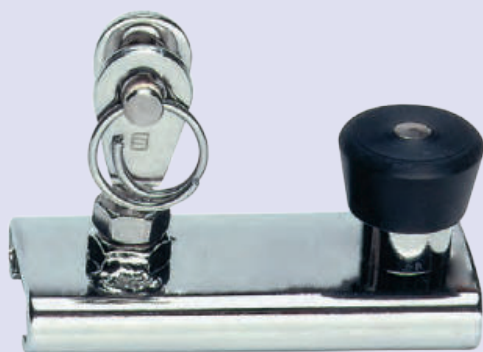


Slide with bow



Material:	Stainless steel	■ bow longitudinal
max. boat length:	9 m	■ suitable for T-profile 25 x 4 35458
Addition:	Diameter bow W: 26 x H: 13 mm	

Article number	Length [mm]	Ø Stud [mm]
35522 025 55	65	8

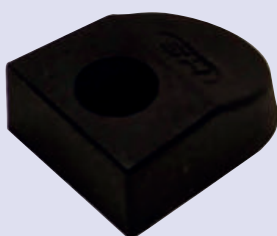


Slide for folding tops



Material:	Stainless steel
Type:	Slide for 25 x 4 track
max. boat length:	9 m
Addition:	welded on nut M8 and lock nut, fork part

Article number	Length [mm]	Ø Stud [mm]
35528 025 55	65	8



End piece, 1 pair

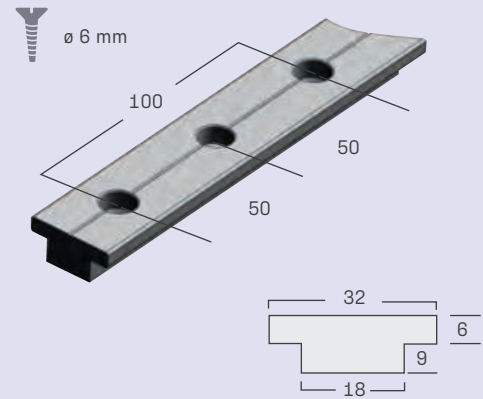
Material:	Plastic
Color:	black
Addition:	for mounting in front of the track
Ø Hole:	5 mm

Article number	Length [mm]	Width [mm]
35459 025 63	25	4

T-track 32 x 6 mm

- Material:** seawater-resistant Aluminum, anodised
- Color:** silver
- max. boat length:** 12 m
- Ø Hole:** 6 mm
- special lengths up to max 6 m on request possible
 - special shipping

Article number	Length [cm]
35452 ___ 54	100 / 150 / 200



Genua slide



- Sheave:** 55 x 39 mm
- Material:** Anodised aluminium
- Material sheaves:** Aluminum
- Color:** silver
- max. boat length:** 12 m
- Addition:** with sliding shoe
- loose sheave no. 17090
 - sliding block 2x 14809
 - manufactured from a bar-pressed profile, i.e. high dimensional accuracy, high strength and no air pockets

Article number	Length [mm]	Ø Stud [mm]	Bearing
35458 320 54	110	10	



Genua slide



- Sheave:** 55 x 39 mm
- Material:** Anodised aluminium
- Material sheaves:** Aluminum
- Color:** black
- max. boat length:** 12 m
- Addition:** with sliding shoe
- loose sheave 17090
 - Sliding block 2x 14809
 - manufactured from a bar-pressed profile, i.e. high dimensional accuracy, high strength and no air pockets

Article number	Length [mm]	Ø Stud [mm]	Bearing
35458 320 53	110	10	



End piece, 1 pair



- Material:** Plastic
- Color:** black
- Addition:** for mounting in front of the track
- Ø Hole:** 5 mm
- mounting in front of the track

Article number	Length [mm]	Width [mm]
35459 032 63	32	6



SELF-TACKING-JIB-SET

- curved travel rail, approx. 120 cm long
- incl. 4 feet (2 short, 2 long) made of aluminium (anodised)
- 1 pair of rubber end caps 38268 000 63
- 1 Traveller 38250 002 52
- 4 flathead screws M5x16
- 4 countersunk screws DIN 965 M5x35



SYSTEM F

- flat profile
- track 38260



SYSTEM H

- high profile
- track 38290



Self-tacking-jib-set

Material: Aluminium, hard anodised
Suitable for: F 18
 Hobie Tiger
Length: 120 cm
Working load: 175 kg
Breaking load: 700 kg



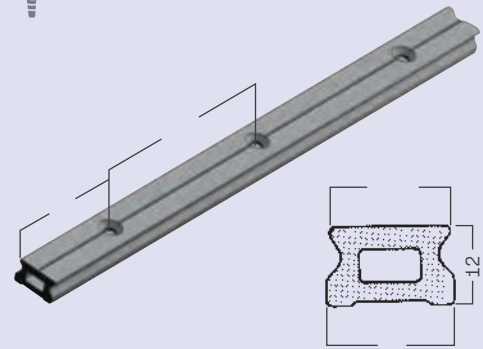
Article number	Type	max. Sail area [m ²]
38275 001 00	flat profile	4.5
38275 002 00	high profile	6.5

Traveller track flat

Weight: 0.45 kg/m
Material: Aluminium, hard anodised
Color: black
Ø Hole: 5 mm

- installation on deck or underlaid
- special shipping from a length of 120 cm

Article number	Length [cm]
38260 ___ 52	100 / 110 / 120 / 132 / 150 / 180

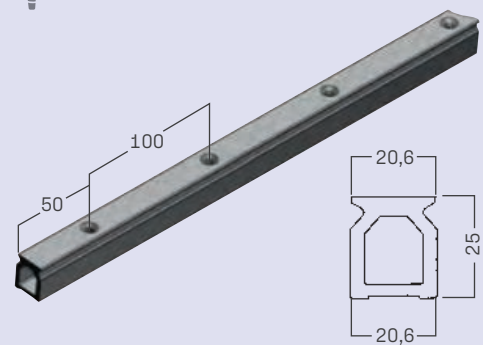


Traveller track high

Weight: 0.47 kg/m
Material: Aluminium, hard anodised
Color: black
Ø Hole: 5 mm

- installation on deck or underlaid
- special shipping from a length of 120 cm

Article number	Length [cm]
38290 ___ 52	120 / 132 / 150 / 180

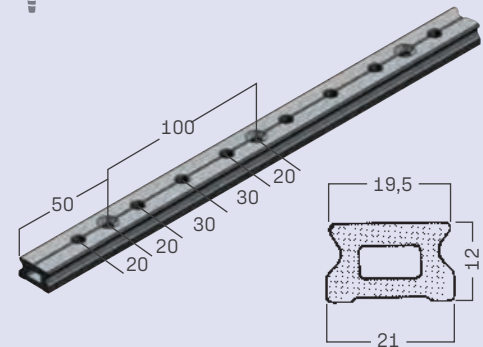


Traveller track flat, additional holes

Material: Aluminium, hard anodised
Color: black
Ø Hole: 5 mm

- installation on deck or underlaid
- special shipping from a length of 120 cm

Article number	Length [cm]
38270 ___ 52	100 / 120 / 132 / 150 / 180



End piece (1 pair)

Material: black plastic

Article number
38268 000 63



Stop with pull button

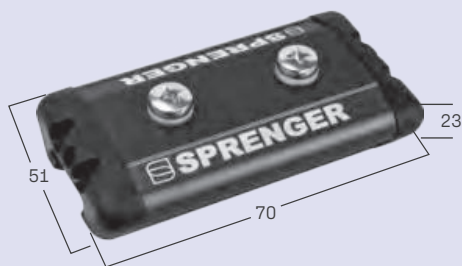
Material: Aluminium, hard anodised

Article number
38259 000 52



TRAVELLER BOAT RUNNER

- Traveller: aluminum, hard coated
- Ball bearing: balls made of Torlon, abrasion and wear resistant, temperature resistant
- End caps: high quality plastic
- Metal parts: stainless steel
- with parking track



Traveller boat runner S



Material: Aluminium, hard anodised

Article number	Working load [kg]	Breaking load [kg]	max. Sail area [m ²]	Bearing
38250 000 52	175	700	12 - 15	



Traveller boat runner S with 2 pulleys and fixed bracket



Material: Aluminium, hard anodised

Article number	Working load [kg]	Breaking load [kg]	max. Sail area [m ²]	Bearing
38250 001 52	175	700	12 - 15	



Traveller boat runner S with moveable bracket



Material: Aluminium, hard anodised

Article number	Working load [kg]	Breaking load [kg]	max. Sail area [m ²]	Bearing
38250 002 52	175	700	12 - 15	

Traveller boat runner S
with U-Part, bolt and splirting



Material: Aluminium, hard anodised

Article number	Working load [kg]	Breaking load [kg]	max. Sail area [m ²]	Bearing
38250 003 52	175	700	12 - 15	

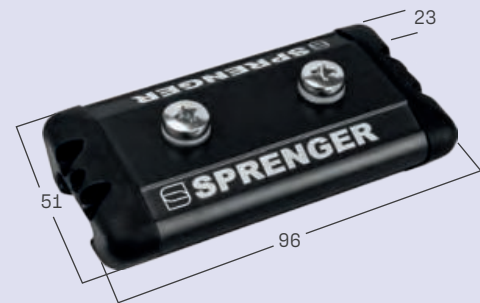


Traveller boat runner L



Material: Aluminium, hard anodised

Article number	Working load [kg]	Breaking load [kg]	max. Sail area [m ²]	Bearing
38255 000 52	300	1,200	15 - 18	



Traveller boat runner L
with 2 pulleys and fixed bracket



Material: Aluminium, hard anodised

Article number	Working load [kg]	Breaking load [kg]	max. Sail area [m ²]	Bearing
38255 001 52	300	1,200	15 - 18	



Traveller boat runner L
with moveable bracket



Material: Aluminium, hard anodised

Article number	Working load [kg]	Breaking load [kg]	max. Sail area [m ²]	Bearing
38255 002 52	300	1,200	15 - 18	





Traveller boat runner L
with U-Part, bolt and splitting



Material: Aluminium, hard anodised

Article number	Working load [kg]	Breaking load [kg]	max. Sail area [m ²]	Bearing
38255 003 52	300	1,200	15 - 18	



Traveller boat runner L
with reclining block and sheet clamp



Material: Aluminium, hard anodised

Article number	Working load [kg]	Breaking load [kg]	max. Sail area [m ²]	Bearing
38255 005 52	300	1,200	15 - 18	



Traveller boat runner L
with two mounted blocks



Material: Aluminium, hard anodised

Article number	Working load [kg]	Breaking load [kg]	max. Sail area [m ²]	Bearing
38255 009 52	300	1,200	15 - 18	



Traveller control system (pair)
with deflection block (ball bearing) and sheet clamp



Material: Aluminium, hard anodised

Article number	Working load [kg]	Breaking load [kg]	Bearing
38271 000 52	300	1,200	

Traveller control system (pair)
with deflection block (ball bearing)



Material: Aluminium, hard anodised

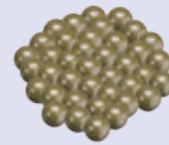
Article number	Working load [kg]	Breaking load [kg]	Bearing
38272 000 52	175	700	



Torlon replacement balls for traveller slide

Ø Diameter: 6.35 mm

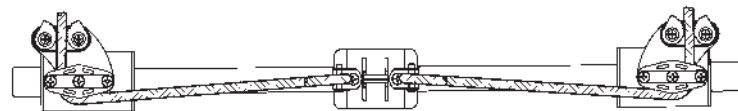
Article number
17501



Replacement cap fo traveller slide

Suitable for: Traveller slide 38250 / 38255

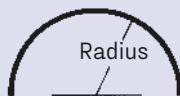
Article number
14743



38271

38250 003 52

38271



Traveller S, short (70 mm)

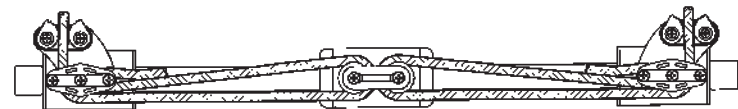
Minimum bending radiuses:

horizontal: radius minimum = 1,650 mm

vertical, ends high: radius minimum = 1,300 mm

vertical, ends low: radius minimum = 1,800 mm

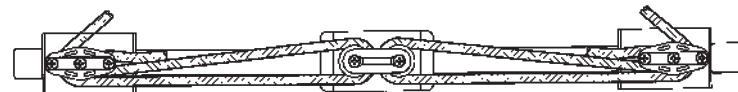
Assembly example:
Ratio 2:1



38271

38255 009 52

38271



38272 000 52



Traveller L, long (96 mm)

minimum bending radiuses:

horizontal: radius minimum = 2,000 mm

vertical, ends high: radius minimum = 3,700 mm

vertical, ends low: radius minimum = 3,200 mm

TILLER EXTENSION - FIXED JOINT

- fixed length from 60 cm to 140 cm
- made of high-quality materials, such as stainless steel, seawater-resistant aluminum or carbon
- low weight but still high strength
- handle made of soft and lightweight cellular rubber
- special shipping from a length of 120 cm
- Made in Germany



Tiller extension Stainless steel joint (fix) cell caoutchouk handle

Material: seawater-resistant Aluminum, anodised
Color: silver
Ø Tube: 16 mm



Article number	Length [cm]
38860 060 54	60
38860 075 54	75
38860 090 54	90
38860 100 54	100
38860 110 54	110



Tiller extension Rubber joint with rope inlay (detachable) cell caoutchouk handle

Material: seawater-resistant Aluminum, anodised
Color: silver
Ø Tube: 16 mm



Article number	Length [cm]
38883 060 54	60
38883 075 54	75
38883 090 54	90
38883 100 54	100
38883 110 54	110
38883 120 54	120



Tiller extension Rubber joint with rope inlay (detachable) cell caoutchouk handle

Material: seawater-resistant Aluminum, plastic coated
Color: black
Ø Tube: 16 mm



Article number	Length [cm]
38884 060 59	60
38884 075 59	75
38884 090 59	90
38884 100 59	100
38884 110 59	110
38884 125 59	125
38884 140 59	140



Article number	Length [cm]
38884 069 59	60
38884 089 59	80



Tiller extension
 Rubber joint with rope inlay (detachable)
 cell caoutchouk handle

Material: seawater-resistant Aluminum, plastic coated
Color: black
Ø Tube: 16 mm



Article number	Length [cm]
38880 060 00	60
38880 075 00	75
38880 090 00	90
38880 100 00	100
38880 110 00	110
38880 125 00	125
38880 140 00	140



Tiller extension
 Rubber joint with rope inlay (detachable)
 cell caoutchouk handle

Material: Carbon
Color: black
Ø Tube: 16 mm



TILLER EXTENSION - TELESCOPIC

- telescopic lengths from 60 cm to 230 cm
- made of high-quality materials, such as stainless steel, seawater-resistant aluminum
- low weight but still high strength
- handle made of soft and lightweight cellular rubber
- special shipping from a length of 120 cm
- Made in Germany



Telescopic tiller extension Stainless steel joint (fix) silver, cell caoutchouk handle

Material: Sea-water resistant aluminium, bright anodised
Ø Tube: 19 mm



Article number	Length [cm]
38865 070 54	70 - 100
38865 090 54	90 - 140
38865 110 54	110 - 180
38865 150 54	150 - 230



Telescopic tiller extension Rubber joint with rope inlay (detachable) silver, cell caoutchouk handle

Material: Sea-water resistant aluminium, bright anodised
Ø Tube: 19 mm



Article number	Length [cm]
38867 070 54	70 - 100
38867 090 54	90 - 140
38867 110 54	110 - 180
38867 150 54	150 - 230



Telescopic tiller extension, lockable Stainless steel joint (fix) silver

Material: Sea-water resistant aluminium, bright anodised
Ø Tube: 19 mm



Article number	Length [cm]
38868 060 54	60 - 90
38868 075 54	75 - 125
38868 100 54	100 - 170

- lockable in any position

Cell caoutchouk handle
1 set = 2 pcs

Material: Plastic
Color: black

\varnothing : 4 mm



Article number	\varnothing Tube [mm]	LA1 [mm]
38855 016 63	16	-
38855 018 63	19	20

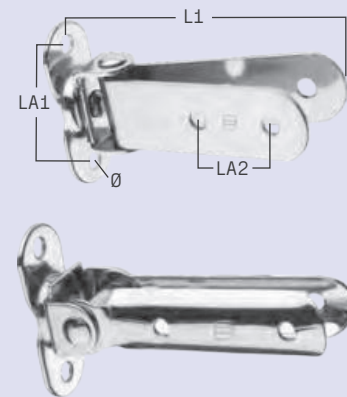


Tiller connection with base plate

Material: Stainless steel
Joint: Stainless steel



Article number	\varnothing Tube [mm]	L1 [mm]	LA1 [mm]	LA2 [mm]	\varnothing [mm]	\varnothing 2 [mm]
38850 000 55	-	77	35	22	5	5
38861 016 55	16	83	35	35	5	4
38861 019 55	19	83	35	35	5	4



Rubber joint (detachable) with rope inlay, incl. rivet 4 mm

Material: Plastic
Color: black
Suitable for: fixed length
telescopic



Article number	\varnothing Tube [mm]	LA1 [mm]	\varnothing [mm]	\varnothing 2 [mm]
38866 016 00	16	32	13	5



Cell caoutchouk handle very light and handy

Article number	Length [cm]	Suitable for
38888 016 00	36	fixed length
38888 017 00	27	telescopic



ANDERSEN ELVSTRÖM BAILER

- simple installation
- essential for any dinghy and dinghy cruiser
- mounting screws, a mounting template and a rubber seal are included with the internal installation models
- Made in Denmark



Elvström Bailer Mini



Weight: 80 g
Material: Stainless steel
Addition: suitable seal inside:
 37024 002 71

- installation from the outside for any hull thickness

Article number	Orifice [cm ²]	Outside dimension [mm]	Mounting cutout [mm]
37023 000 55	9.3	92 x 56	73 x 37



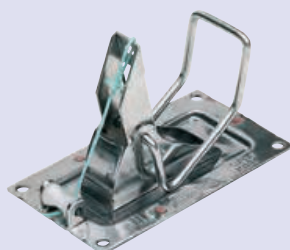
Elvström Bailer Super mini



Weight: 170 g
Material: Stainless steel

- installation from inside for hull thicknesses of 3 - 7 mm

Article number	Orifice [cm ²]	Outside dimension [mm]	Mounting cutout [mm]
37023 001 55	10.8	105 x 60	82 x 38



Elvström Bailer Super mini special



Weight: 175 g
Material: Stainless steel

- for regatta dinghies, opening the lenzer by rope without spring lever

Article number	Orifice [cm ²]	Outside dimension [mm]	Mounting cutout [mm]
37023 005 55	25	106 x 61	85 x 40

Elvström Bailer
New large



Weight: 280 g
Material: Stainless steel
Addition: suitable seal inside:
 37024 022 71

- Installation from the outside especially for boats with large hull thicknesses

Article number	Orifice [cm ²]	Outside dimension [mm]	Mounting cutout [mm]
37023 002 55	15	142 x 79	105 x 42



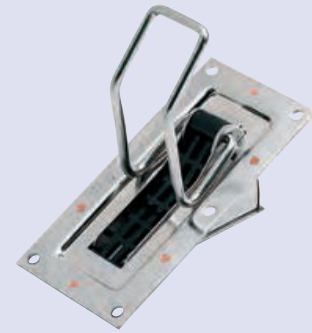
Elvström Bailer
Super medium for pirat



Weight: 250 g
Material: Stainless steel
Addition: suitable seal:
 inside: 37024 032 71 (5 mm)
 outside: 37024 033 71 (1 mm)
 outside: 37024 034 71 (2 mm)
 bailer net: 37024 102 00

- Installation from inside for hull thicknesses of 3 - 7 mm

Article number	Orifice [cm ²]	Outside dimension [mm]	Mounting cutout [mm]
37023 003 55	16	134 x 66	107 x 40



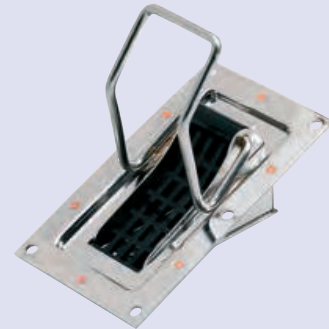
Elvström Bailer
Super max



Weight: 320 g
Material: Stainless steel
Addition: suitable seal inside:
 37024 044 77 (2 mm)
 bailer net: 37024 103 00

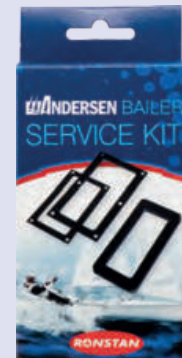
- installation from inside for hull thicknesses of 6 mm and more

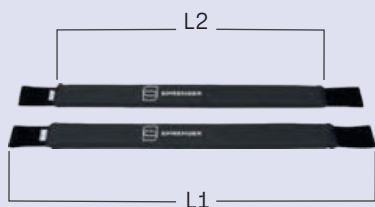
Article number	Orifice [cm ²]	Outside dimension [mm]	Mounting cutout [mm]
37023 004 55	25.5	134 x 78	107 x 57



Service Kits for bailers, composed of:
 1x inside seal 5 mm, 2x outside seals, 1 & 2 mm, 6x rivets for reinstallation

Article number	Type
37024 301 00	Super Mini Kit
37024 302 00	Super Medium Kit
37024 303 00	Super Max Kit
37024 304 00	Mini Kit





SPRENGER hiking strap

Material: Polyester
Foam

Article number	Width [cm]	L1 [mm]	L2 [mm]
38181 040 00	6	400	240
38181 060 00	6	600	440
38181 080 00	6	800	640
38181 100 00	6	1000	840
38181 120 00	6	1200	1040



Safety bags

Material: PVC
Color: white

- with SPRENGER logo
- cylinder shaped

Article number	Capacity [l]	Size [mm]
39202 001 00	30	860 x 300
39202 002 00	35	1050 x 300
39202 003 00	40	1240 x 300
39202 004 00	50	1530 x 300
39202 006 00	55	850 x 410
39202 007 00	65	1050 x 410
39202 008 00	100	1530 x 410

recommended complete equipment

- FINN = 555 l
- OPTIMIST = 135 l
- VAURIEN = 410 l
- PIRAT:
 - wood = 250 l
 - GRP = 400 l
 - Sandwich = 300 l
 - GRP / wood = 350 l

e. g. OPTIMIST:
each 1 x 39202 002 00 port- / starboard
1 x 39202 007 00 stern



Bailer ball 60 mm

Material: Rubber
Color: blue

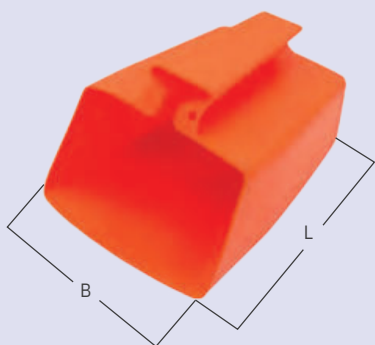
Article number	Weight [g]	Ø [mm]
37030 001 00	300	60



Bailer ball 48 mm

Material: Rubber
Color: black

Article number	Length [mm]	Ø [mm]
37030 067 00	67	48



Ladle

Material: Plastic
Capacity: 1 l

Article number	Length [mm]	Width [mm]
39057 465 00	180	140

STAY THE COURSE WITH THE COURSE KEEPER



COURSE KEEPER

It is a well-known problem that outboard or stern drive boats have poor steering characteristics at low speeds. There is not enough power to keep the boat on course - constant course correction is required.

With **Course Keeper** you have a double rudder to keep the boat on course. Steering and ‚parking‘ is almost as easy as driving a car, even in neutral.

Course Keeper eliminates the need for constant course correction. Steering ability and course stability at low speeds are greatly improved. As speed increases, **Course Keeper** rises out of the water.

Oversteering is avoided. The rudder blades and brackets are made from non-corrosive aluminium. All connecting materials such as threaded rods, bolts and nuts are stainless steel.

The simple, solid construction of the rudder makes the **Course Keeper** maintenance-free. It protects the propeller when reversing. This greatly reduces the risk of the swimmer being injured.

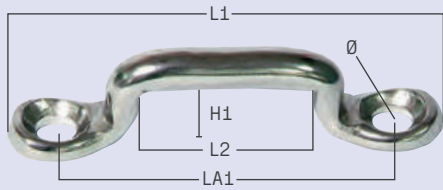
The **Course Keeper** comes in four sizes. Installation is simple as most parts are pre-assembled. The keepers are bolted and clamped to the cavitation plate. No holes need to be drilled.

IMPROVED MODEL:

- new compact shape of the holders
- improved, break-proof material = extruded aluminium
- rudder blades made of durable, maintenance free aluminium = considerably reduced weight

Article	Hull length [m]	Article number
Course Keeper Typ 1	up to 4,5	37171 001 00
Course Keeper Typ 2	4,5 - 6,5	37171 002 00
Course Keeper Typ 3	6,5 - 8,5	37171 003 00
Course Keeper Typ 4	8,5 - 10	37171 004 00
Course Keeper Typ 2	8,5 - 10 for dual drive	(2x) 37171 002 00
Course Keeper Typ 3	10 - 12 for dual drive	(2x) 37171 003 00
Course Keeper Typ 4	12 and more for dual drive	(2x) 37171 004 00
Course Keeper for boats with propulsion Volvo Penta 280/290	up to approx. 6,5 up to approx. 8,5 over 8,5	37171 210 00 37171 310 00 37171 410 00

Volvo Penta 270: Separate profile, please request individually.



Fender cleat

Material: Stainless steel
Addition: AISI 304



Article number	Material thickness [mm]	Ø Hole [mm]	H1 [mm]	L1 [mm]	L2 [mm]	LA1 [mm]
33012 025 56	6	5.8	13	62.5	25.5	48.5
33012 031 56	6	5.8	15.5	67	31	53.5
33012 041 56	6	5.8	15.5	82	41	67.5



WICHARD Sling swivels

Material: Stainless steel
Addition: for belts



Article number	Wichard [no]	H1 [mm]	L1 [mm]	L2 [mm]	LA1 [mm]	Ø [mm]
33010 028 55	9211	5	64	47	58	4
33010 034 55	9212	10	79	45	68	5



Fender cleat

Material: Stainless steel



Article number	Material thickness [mm]	Ø Hole [mm]	H1 [mm]	L2 [mm]	LA1 [mm]
37929 008 56	4	3.2	11	10	32
37929 010 56	5	4.2	13	11	40
37929 012 56	6	5.2	16	14	44
37929 016 56	8	5.2	17	14	47



WICHARD Fender cleat

Material: Stainless steel



Article number	Material thickness [mm]	Ø Hole [mm]	Wichard [no]	H1 [mm]	L2 [mm]	LA1 [mm]
37925 008 55	4	4	9201	11	8	32
37925 010 55	5	5	9202	14	10	37
37925 012 55	6	6	9203	16	12	45
37925 016 55	8	8	9204	21	16	60

Fender cleat

Material: Stainless steel

■ matching counter plate for size 10: 3792201055



Article number	Ø Hole [mm]	L1 [mm]	L2 [mm]	LA1 [mm]
37921 009 55	4	39	9	30
37921 010 55	5	46	10	35
37921 016 55	5	55	16	42



Fender cleat

Material: Brass II. polished



Article number	Ø Hole [mm]	L1 [mm]	L2 [mm]	LA1 [mm]
37920 000 33	4	53	13	40



Fender cleat

Material: Brass II. chrome plated



Article number	Ø Hole [mm]	L1 [mm]	L2 [mm]	LA1 [mm]
37930 010 35	4.1	55	10	40



Thimbles

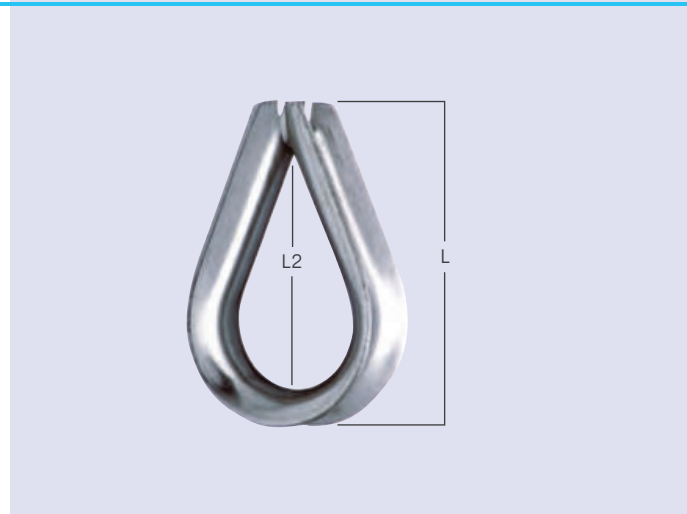
Material: Stainless steel

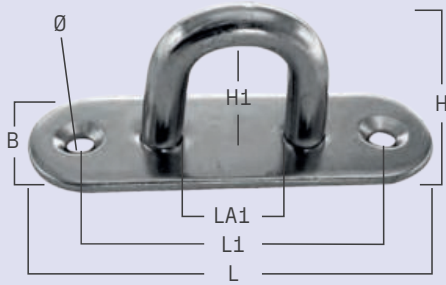
Feature: medium strength version

Addition: AISI 316



Article number	max. Wire [mm]	Material thickness [mm]	L1 [mm]	L2 [mm]
36530 003 56	3	4	24	14
36530 004 56	4	5	32	16
36530 005 56	5	6	35	21
36530 006 56	6	7	41	26
36530 008 56	8	9	50	35
36530 010 56	10	11	58	42
36530 012 56	12	14	75	48





Eyeplate round

Material: Stainless steel
Addition: AISI 304



Article number	Material thickness [mm]	Length [mm]	Width [mm]	Height [mm]	H1 [mm]	L1 [mm]	LA1 [mm]	Ø [mm]
34255 001 56	5	45	15	20	12	35	14	4.2
34255 002 56	6	65	20	25	17	46	18	5.2
34255 003 56	8	80	26	32	21	60	20	5.2
34255 004 56	9	100	32	38	26	73	22	6.5



Eyeplate round

Material: Stainless steel
Addition: AISI 304



Article number	Material thickness [mm]	Width [mm]	Height [mm]	H1 [mm]	L1 [mm]	LA1 [mm]	Ø [mm]
34256 001 56	5	33	20	12	20	12	4.2
34256 002 56	6	40	26	17	23	17	5.2
34256 003 56	8	50	32	21	30	20	5.2



Eyeplate square

Material: Stainless steel
Addition: AISI 304



Article number	Material thickness [mm]	Length [mm]	Width [mm]	Height [mm]	H1 [mm]	LA1 [mm]	Ø [mm]
34257 001 56	5	35	30	19	12	14	4.2
34257 002 56	6	40	35	26	17	18	5.2
34257 003 56	8	50	40	33	22	20	5.2



Eyeplate rhombic

Material: Stainless steel
Addition: AISI 304



Article number	Material thickness [mm]	Length [mm]	Width [mm]	Height [mm]	H1 [mm]	LA1 [mm]	Ø [mm]
34258 001 56	5	59	37	22	12	11	4.2
34258 002 56	6	64	40	26	15	15	4.2
34258 003 56	8	80	50	33	20	18	5.2



Anchor plate with M10 ring nut

Material: Stainless steel
Addition: AISI 304



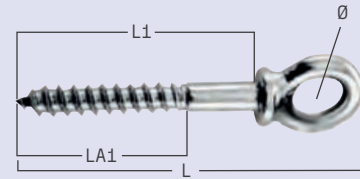
Article number	Material thickness [mm]	Length [mm]	Width [mm]	Height [mm]	H1 [mm]	LA1 [mm]	Ø [mm]
34200 000 A6	6	105	59	52	25	80	4,2

Eye bolt with wood thread

Material: Stainless steel
Addition: AISI 316



Article number	Length [mm]	Thread	L1 [mm]	LA1 [mm]	Ø [mm]
34247 001 56	94	6	60	40	14
34247 002 56	101	8	60	40	20
34247 003 56	115	10	80	50	24
34247 004 56	160	12	100	60	30

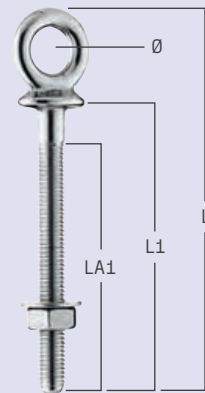


Eye bolt

Material: Stainless steel ■ forged from one piece
Addition: AISI 316
 aus einem Stück geschmiedet



Article number	Breaking load [kg]	Length [mm]	Thread	L1 [mm]	LA1 [mm]	Ø [mm]
34248 001 56	1,400	68	M 6	40	34	12
34248 002 56	1,400	88	M 6	60	54	12
34248 003 56	2,500	113	M 8	80	70	13
34248 004 56	2,500	133	M 8	100	90	13
34248 005 56	3,900	139	M 10	100	88	16
34248 006 56	5,600	165	M 12	120	105	18

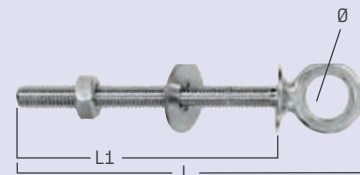


Eye bolt with large overlay

Material: Stainless steel
Addition: AISI 316



Article number	Length [mm]	Thread	L1 [mm]	Ø [mm]
34249 001 56	88	M 6	60	12
34249 002 56	112	M 8	80	14
34249 003 56	137	M 10	100	16
34249 004 56	143	M 12	100	18



Ring nut

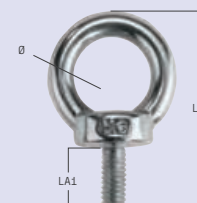
Article number	Material thickness [mm]	Thread	L1 [mm]	Ø [mm]
34221 006 56	6	M 6	28	16
34221 008 56	8	M 8	33	20
34221 010 56	10	M 10	45	25
34221 012 56	12	M 12	51	30



Ring screw

Material: Stainless steel
Addition: AISI 316

Article number	Material thickness [mm]	Thread	L1 [mm]	LA1 [mm]	Ø [mm]
34223 006 56	6	M 6	41	13	16
34223 008 56	8	M 8	47	13	20
34223 010 56	10	M 10	60	15	25





Snap studs

Material: Stainless steel



Article number	Length [mm]	Ø Diameter [mm]
33735 020 A5	20	6
33735 026 A5	26	6
33735 031 A5	31	6
33735 056 A5	56	6
33735 065 A5	65	6
33736 030 A5	30	8
33736 035 A5	35	8
33736 040 A5	40	8
33736 045 A5	45	8



WICHARD Pad eyes

Material: Stainless steel



Article number	Working load [kg]	Breaking load [kg]	Length [mm]	Ø Hole [mm]	Wichard [no]	L1 [mm]
34145 006 55	1,440	1,800	45	6.4	6604	27
34145 008 55	2,400	3,000	59	8.5	6605	35
34145 010 55	4,800	8,000	75	10.5	6606	45

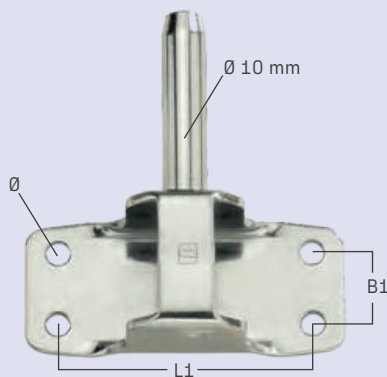


Floor ring with return clip

Material: Stainless steel



Article number	Length [mm]	Width [mm]
34254 038 56	44	38
34254 055 56	65	55
34254 075 56	57	76



Tiller fitting

Material: Stainless steel

Feature: very solid

Ø Stud: 10 mm



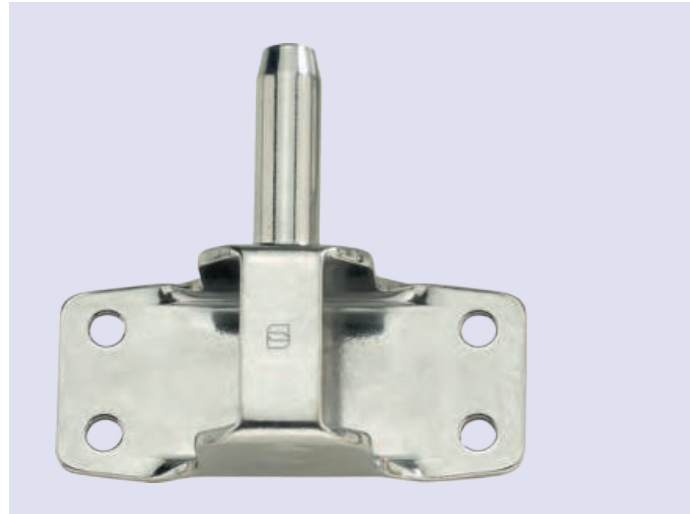
Article number	bolt length [mm]	Ø Hole [mm]	B1 [mm]	L1 [mm]
38794 001 55	41.5	5.3	16	55.5

Tiller fitting

Material: Stainless steel
Feature: very solid



Article number	bolt length [mm]	Ø Hole [mm]	B1 [mm]	L1 [mm]
38794 002 55	31.5	5.3	16	55.5

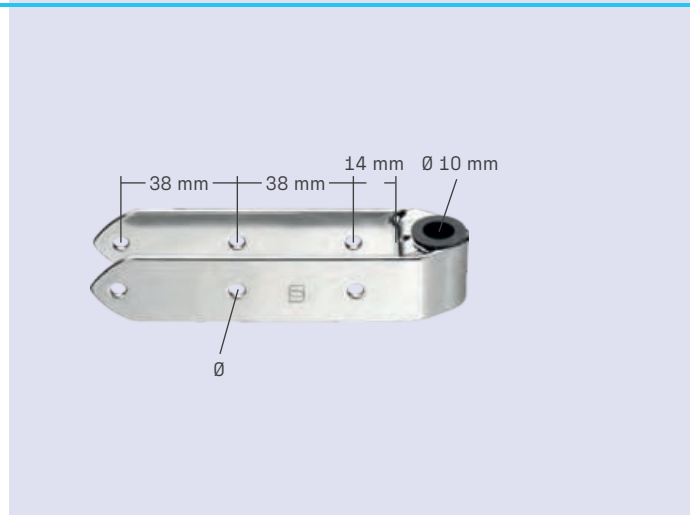


Row locks

Material: Stainless steel
Addition: suitable for 1 and 2



Article number	Ø Hole [mm]	L1 [mm]
38794 004 55	5	34





Lock hook

Material: Stainless steel (AISI 316)
Material thickness: 10 mm

Article number	Length [mm]
37815 000 56	510



Buoy hook

Material: Stainless steel
Material thickness: 10 mm
Addition: AISI 316

Article number	Length [mm]
37817 000 56	1160

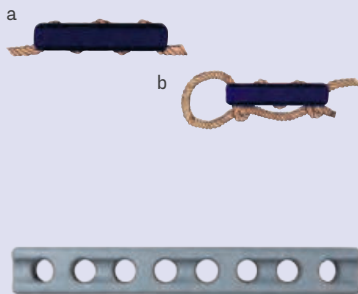


Shock absorber

Material: Rubber
Feature: Saltwater and UV resistant

By inserting the rope as per image b you reach an end loop with a powerful locking and at the same time a compliance.

Article number	Rope [mm]	Length [mm]	Spring travel [mm]
37810 001 00	8 - 10	150	100 - 150
37810 002 00	12 - 14	210	120 - 160
37810 003 00	14 - 16	250	160 - 200



Shock absorber

Material: Rubber
Feature: Saltwater and UV resistant

- reliably absorbs uncontrollable movements
- extension length of the tension spring can be varied by coils - up to 3 coils possible
- specially adjusted rubber compound / hardness guarantees optimum shock absorption
- protects cleats and ropes

Article number	Rope [mm]	Length [mm]	max. boat length [m]
37811 001 00	12	430	6
37811 002 00	16	495	10
37811 003 00	20	570	15



Folding anchor

Material: Hot galvanized steel

Article number	Weight [kg]	Length [mm]	max. boat length [m]	Chain forward movement
39005 007 10	0.7	250	2	6mm x 4m
39005 015 10	1.5	300	3	6mm x 4m
39005 025 10	2.5	360	4	6mm x 6m
39005 032 10	3.2	410	5	6mm x 6m
39005 040 10	4	450	6	8mm x 4m
39005 060 10	6	550	6	8mm x 4m



Anchor chain connector

Material: Stainless steel
Addition: AISI 316



Article number	Breaking load [kg]	Length [mm]	For chain [mm]
38981 001 56	1,500	95	6 - 8
38981 002 56	6,000	110	10 - 12



Spiral stake

Feature: with fastening eye ■ for small boats, canoes and cajaks, tents etc.

Article number	Material	Length [mm]
39009 000 02	Iron chrome plated	435
39009 000 56	Stainless steel	435



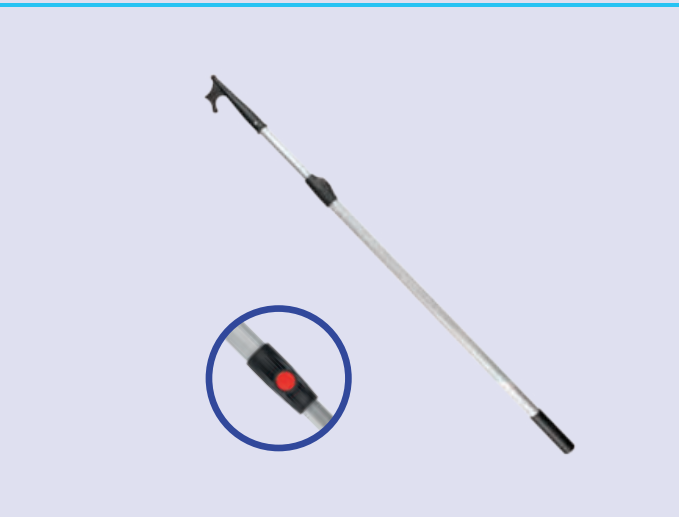


Telescopic boat hook

Material: seawater-resistant Aluminum, anodised
Color: silver

- practical telescopic boat hook made of solid anodised aluminum
- practical handles made of plastic increase the ergonomics of the boat hook - riveted top
- the high quality hook is additionally floatable as well as seawater resistant
- steplessly lockable and extendable
- fast and safe - essential for many purposes on the water

Article number	Length [cm]	Ø Tube [mm]
39055 201 00	120 - 200	30

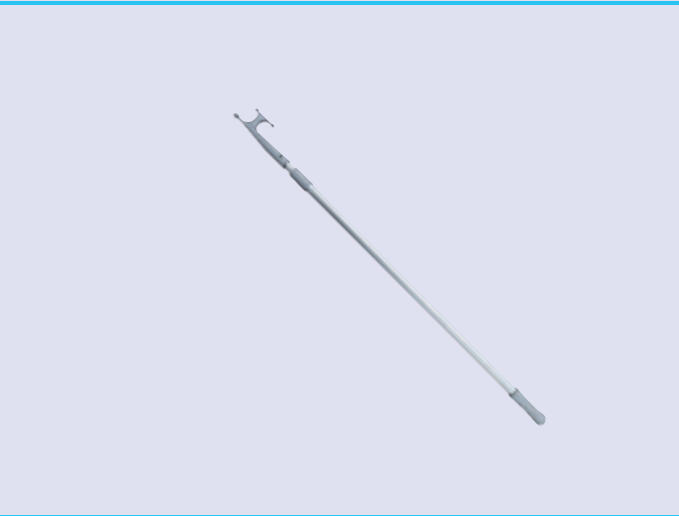


Boat hook with lock

Material: seawater-resistant Aluminum, anodised
Color: silver

- practical telescopic boat hook made of solid anodised aluminum
- practical handles made of plastic increase the ergonomics of the boat hook - riveted top
- the high quality hook is additionally floatable as well as seawater resistant
- securely lockable - no unintentional sliding possible
- fast and safe - essential for many purposes on the water

Article number	Length [cm]	Ø Tube [mm]
39055 212 00	120 - 220	30



Telescopic boat hook

Material: seawater-resistant Aluminum, anodised
Color: silver

Article number	Length [cm]	Ø Tube [mm]	Ø [mm Ø]
39055 121 00	1200 - 2050	30	30
39055 061 00	60 - 100	30	30



Tarpaulin support adjustable

Material: seawater-resistant Aluminum, anodised

Article number	Length [cm]
39060 060 00	60 - 100
39060 090 00	90 - 150

Retaining ring for boat hooks

Material: Stainless steel



Article number	max. Wire [mm]	Length [mm]	Ø Inside [mm]
34484 002 55	7	79	54



Retaining ring for boat hooks

Material: Stainless steel
Feature: simple version

- simple, fixing e.g. with tape, clamp or cable strap



Article number	Length [mm]	Ø Inside [mm]
34483 002 55	102 60	52



Retaining ring for boat hooks

Material: Stainless steel



Article number	max. Wire [mm]	Ø Inside [mm]
34484 001 55	7	54



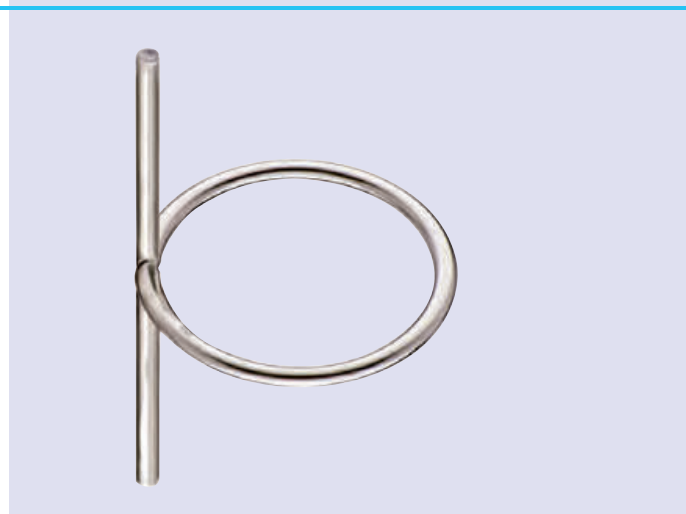
Retaining ring for boat hooks

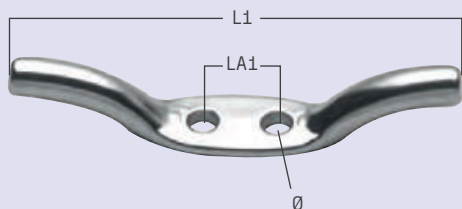
Material: Stainless steel
Feature: simple version

- simple, fixing e.g. with tape, clamp or cable strap



Article number	Length [mm]	Ø Inside [mm]
34483 001 55	102	52





Cleat

Material: Stainless steel

Feature: 2 Holes

Article number	Ø Hole [mm]	L1 [mm]	LA1 [mm]
33801 050 55	3.3	50	10
33801 060 55	3.3	60	10
33801 080 55	5.2	80	10
33801 100 55	5.2	100	16

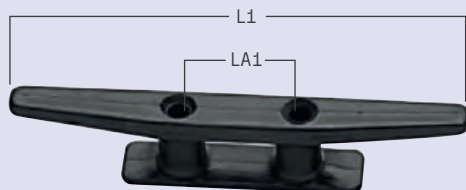


Cleat

Material: Brass II. polished

Feature: 2 Holes

Article number	Ø Hole [mm]	L1 [mm]	LA1 [mm]
33800 040 33	3.2	40	9



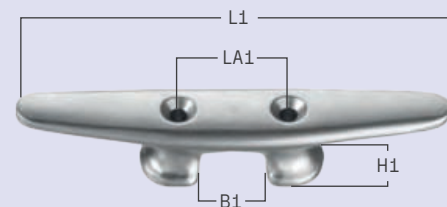
Cleat

Material: Plastic

Feature: 2 Holes

Color: black

Article number	Ø Hole [mm]	Set à St	L1 [mm]	LA1 [mm]
39051 308 00	4	2	73	26
39051 311 00	4.4	2	97	27
39051 314 00	4.7	2	125	36
39051 318 00	5.7	1	163	42
39051 321 00	6.7	1	210	50



Cleat

Material: Sea-water resistant aluminium, bright anodised

Feature: 2 Holes

Article number	Ø Hole [mm]	B1 [mm]	H1 [mm]	L1 [mm]	LA1 [mm]
33841 080 54	4.2	10	9	80	22
33841 100 54	5.2	15	10	100	25
33841 125 54	5.2	19	12	125	31
33841 150 54	6.4	22	16	150	37
33841 200 54	6.4	32	23	200	52

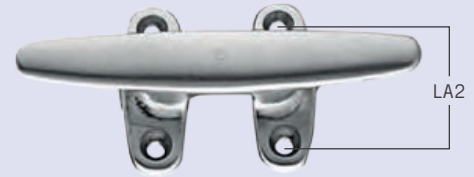


Cleat

Material: Sea-water resistant aluminium, bright anodised
Feature: 4 Holes



Article number	Ø Hole [mm]	B1 [mm]	H1 [mm]	L1 [mm]	LA1 [mm]	LA2 [mm]
33846 080 54	4.2	10	12.5	80	27	26
33846 100 54	4.2	14	13	100	31	34
33846 125 54	5.2	19	14	125	41	39
33846 150 54	5.2	22	18	150	43	45
33846 200 54	6.4	32	25	200	63	52
33846 250 54	6.4	36	30	250	70	58

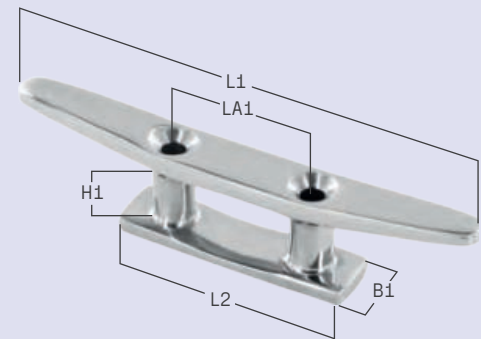


Cleat

Material: Stainless steel
Feature: 2 Holes
Addition: AISI 316



Article number	Length [mm]	Ø Hole [mm]	B1 [mm]	H1 [mm]	L1 [mm]	L2 [mm]	LA1 [mm]
33848 100 56	100	4.5	14	13	100	50	30
33848 125 56	125	5.5	18	16	125	65	40
33848 150 56	150	6.5	22	21	150	81	50
33848 200 56	200	8.5	25	25	200	90	55
33848 250 56	250	8.5	28	27	250	105	70

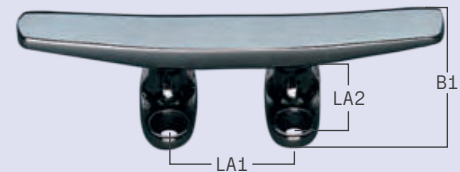


Cleat

Material: Stainless steel
Feature: 4 Holes
Addition: AISI 316



Article number	Ø Hole [mm]	B1 [mm]	H1 [mm]	L1 [mm]	LA1 [mm]	LA2 [mm]
33849 100 56	5	35	14	100	30	25
33849 125 56	5	46	16	125	40	30
33849 150 56	6	60	18	125	51	42
33849 200 56	6	60	26	200	56	42
33849 250 56	6.5	65	30	250	54	46

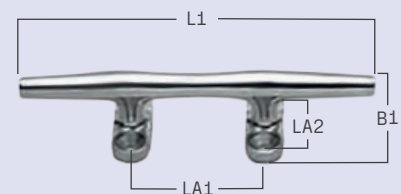


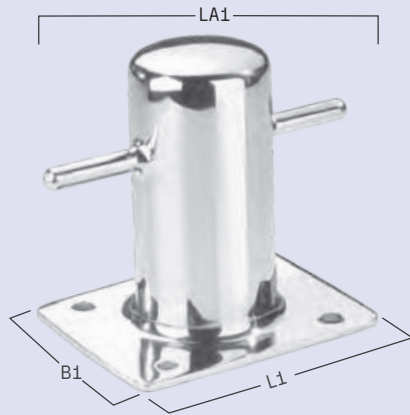
Cleat

Material: Stainless steel
Feature: 4 Holes
Addition: AISI 316



Article number	Ø Hole [mm]	B1 [mm]	H1 [mm]	L1 [mm]	LA1 [mm]	LA2 [mm]
33824 150 56	6	44	20	150	58	26
33824 200 56	6.5	52	24	200	72	34
33824 250 56	8	67	30	250	91	44
33824 300 56	8.5	71	33	300	100	49





Bollard

Material: Stainless steel
Addition: AISI 316

Article number	Ø Hole [mm]	B1 [mm]	L1 [mm]	LA1 [mm]	Ø [mm]
33830 050 56	6	80	90	130	50
33830 060 56	6	95	120	160	60



Clam cleat

Material: Stainless steel
Addition: AISI 316

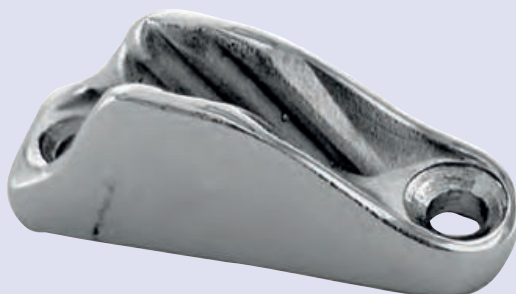
Article number	Rope [mm]	B1 [mm]	L1 [mm]	LA1 [mm]
36660 001 56	3 - 6	15	55	45
36660 002 56	3 - 6	17	70	57
36660 003 56	3 - 6	18	82	66



Clam cleat

Material: Stainless steel
Addition: AISI 316

Article number	Rope [mm]	B1 [mm]	L1 [mm]
36661 000 56	3 - 6	17	54



Clam cleat

Material: Stainless steel
Addition: AISI 316

Article number	Rope [mm]	B1 [mm]	L1 [mm]	LA1 [mm]
36662 000 56	3 - 6	14	48	41.3



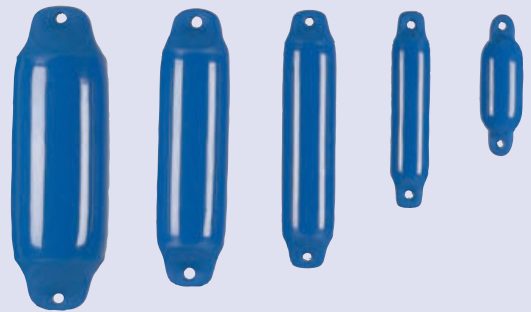
MAJONI FENDER

- excellent quality
- with brass valve
- inflatable with fender pump or compressor
- care instructions: Please rinse with clear water or - if heavily soiled - with soapy water or a special cleaner.

MAJONI cylinder fender

Material: UV-resistant soft PVC
Color: blue

Article number	Weight [g]	Size	Length [cm]	Ø Diameter
34080 100 00	300	0	30	9
34080 101 00	350	1	42	10
34080 102 00	700	2	55	12
34080 103 00	1200	3	60	16
34080 104 00	2100	4	65	22
34080 105 00	3000	5	80	25
34080 106 00	4200	6	90	30



MAJONI Valve adapter

Weight: 5 g

Article number	Type
34080 900 00	Spare valve
34080 999 00	Valve adapter



MAJONI combi fender

Material: UV-resistant soft PVC
Color: white

Article number	Weight [g]	Size	Length [cm]	Ø Diameter
34083 501 00	500	1	45	12
34083 502 00	800	2	52	15
34083 503 00	1600	3	64	21
34083 504 00	3000	4	82	30





MAJONI combi fender

Material: UV-resistant soft PVC

Color: blue

Article number	Weight [g]	Size	Length [cm]	Ø Diameter
34083 601 00	500	1	45	12
34083 602 00	800	2	52	15
34083 603 00	1600	3	64	21
34083 604 00	3000	4	82	30



MAJONI combi fender

Material: UV-resistant soft PVC

Color: black

Article number	Weight [g]	Size	Length [cm]	Ø Diameter
34083 701 00	500	1	45	12
34083 702 00	800	2	52	15
34083 703 00	1600	3	64	21
34083 704 00	3000	4	82	30



MAJONI combi fender

Material: UV-resistant soft PVC

Color: dark blue

Article number	Weight [g]	Size	Length [cm]	Ø Diameter
34083 801 00	500	1	45	12
34083 802 00	800	2	52	15
34083 803 00	1600	3	64	21
34083 804 00	3000	4	82	30



MAJONI combi fender

Material: UV-resistant soft PVC

Color: white/blue

Article number	Weight [g]	Size	Length [cm]	Ø Diameter
34083 901 00	500	1	45	12
34083 902 00	800	2	52	15
34083 903 00	1600	3	64	21
34083 904 00	3000	4	82	30

MAJONI box fender

Material: UV-resistant soft PVC
Color: blue

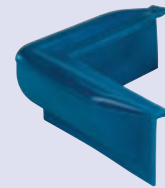
Article number	Length [cm]
34085 001 00	25



MAJONI box fender corner

Material: UV-resistant soft PVC
Color: blue

Article number	Outside dimension [mm]	Width [mm]	Height [mm]	Inside dimension [mm]
34085 003 00	220 x 220	60	95	190 x 190



MAJONI bow/stern fender

Material: UV-resistant soft PVC

Article number	Weight [g]	Color	Width [mm]	Height [mm]
34087 000 00	650	white	370	320
34087 001 00	650	blue	370	320



MAJONI ring fender

Material: UV-resistant soft PVC

- inflatable with fender pump or compressor
- with 6 eyes for rope up to Ø 16mm

Article number	Rope [mm]	Weight [g]	Color	Ø Outside [mm]	Ø Inside [mm]
34088 000 00	16	900	white	33	10
34088 001 00	16	900	blue	33	10



MAJONI anchor buoy

Material: UV-resistant soft PVC

Article number	Weight [g]	Color	Boost [kg]
34089 000 00	250	orange	1.5
34089 001 00	500	orange	4.5
34089 002 00	700	orange	9
34089 100 00	250	yellow	1.5
34089 101 00	500	yellow	4.5
34089 102 00	700	yellow	9



Majoni ball fender

Material: UV-resistant soft PVC
Color: black

Article number	Weight [kg]	Length [cm]	Boost [l]
34086 735 00	1.5	35	21
34086 745 00	2.8	45	45





Snap hook

Material: Stainless steel
Addition: AISI 316



Article number	Breaking load [kg]	Material thickness [mm]	L1 [mm]
31300 030 56	-	3	30
31300 040 56	-	4	40
31300 050 56	570	5	50
31300 060 56	670	6	60
31300 070 56	750	7	70
31300 080 56	870	8	80
31300 100 56	1,150	10	100
31300 120 56	1,250	11	120



Snap hook

Material: Stainless steel ■ with thimble
Addition: AISI 316



Article number	Breaking load [kg]	Material thickness [mm]	L1 [mm]	Ø [mm]
31301 040 56	-	4	40	4.5
31301 050 56	570	5	50	7
31301 060 56	670	6	60	8
31301 070 56	750	7	70	8
31301 080 56	870	8	80	12
31301 100 56	1,150	10	100	15
31301 120 56	1,250	11	120	18



Screw carabine

Material: Stainless steel ■ with screw connection
Addition: AISI 316



Article number	Material thickness [mm]	L1 [mm]
31302 050 56	5	50
31302 060 56	6	60
31302 070 56	7	70
31302 080 56	8	80
31302 100 56	10	100
31302 120 56	11	120

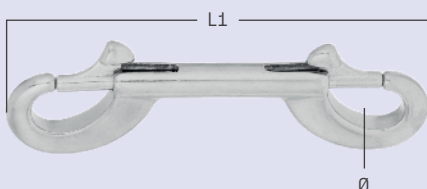


Swivel snap hook

Material: Stainless steel
360° rotatable: Yes



Article number	L1 [mm]	Ø [mm]
31181 065 56	65	10
31181 075 56	80	13



Double snap hook

Material: Stainless steel
Addition: AISI 316



Article number	L1 [mm]	Ø [mm]
31182 105 56	105	13

Snap hook casted



Material: Stainless steel
Addition: AISI 316

Article number	Breaking load [kg]	L1 [mm]
31290 030 56	100	35
31290 050 56	220	50
31290 070 56	600	70
31290 100 56	1,100	100



WICHARD Snap hook forged



Material: Stainless steel

Article number	Working load [kg]	Breaking load [kg]	Wichard [no]	L1 [mm]
31290 050 55	75	300	2480	50
31290 075 55	200	800	2481	75
31290 100 55	450	1,800	2482	100



Snap hook asymmetric



Material: Stainless steel
Addition: AISI 316

Article number	Material thickness [mm]	L1 [mm]	Ø [mm]
31324 060 56	6	60	10
31324 080 56	8	80	13
31324 100 56	10	100	15
31324 120 56	12	120	20



WICHARD Snap hook asymmetric



Material: Stainless steel

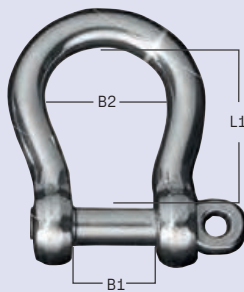
Article number	Working load [kg]	Breaking load [kg]	Material thickness [mm]	Wichard [no]	L1 [mm]	Ø [mm]
31324 060 55	450	800	6	2323	60	7
31324 080 55	960	1,500	8	2325	80	11
31324 100 55	1,250	2,200	10	2326	100	13
31324 120 55	1,800	3,200	12	2327	120	16





Bow shackle

Material: Stainless steel
Addition: forged



Article number	Breaking load [kg]	Ø Stud [mm]	B1 [mm]	B2 [mm]	L1 [mm]
34600 004 56	600	4	8	14	15
34600 005 56	1,000	5	10	17	21
34600 006 56	1,500	6	12	21	23
34600 008 56	2,500	8	16	28	34
34600 010 56	4,000	10	20	35	42
34600 012 56	6,000	12	24	42	49



Bow shackle

Material: Stainless steel
Addition: forged



Article number	Breaking load [kg]	Ø Stud [mm]	B1 [mm]	B2 [mm]	L1 [mm]
34600 904 56	600	4	9	15	21
34600 905 56	1,000	5	10	18	26
34600 906 56	1,500	6	12	21	32
34600 908 56	2,500	8	16	25	37
34600 910 56	4,000	10	21	32	49
34600 912 56	6,000	12	25	39	55



D-shackle

Material: Stainless steel
Addition: forged

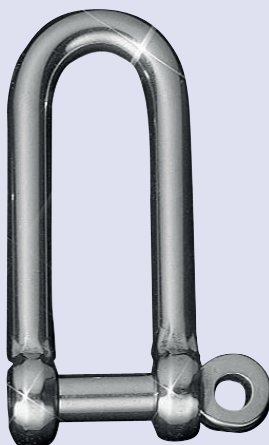


Article number	Breaking load [kg]	Ø Stud [mm]	B1 [mm]	L1 [mm]
34610 004 56	600	4	8	17
34610 005 56	1,000	5	10	19
34610 006 56	1,500	6	12	24
34610 008 56	2,500	8	16	32
34610 010 56	4,000	10	20	40
34610 012 56	6,000	12	24	47



D-shackle long

Material: Stainless steel
Addition: forged



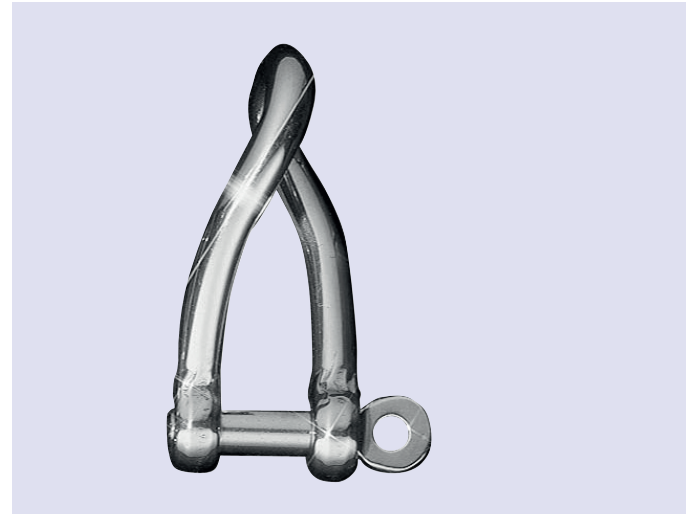
Article number	Breaking load [kg]	Ø Stud [mm]	B1 [mm]	L1 [mm]
34614 004 56	480	4	8	30
34614 005 56	750	5	10	37.5
34614 006 56	1,100	6	12	45
34614 008 56	1,800	8	16	60
34614 010 56	3,000	10	20	75

D-shackle turned

Material: Stainless steel
Addition: forged



Article number	Breaking load [kg]	Ø Stud [mm]	B1 [mm]	L1 [mm]
34619 004 56	400	4	8	22
34619 005 56	625	5	10	27.5
34619 006 56	900	6	12	33
34619 008 56	1,500	8	16	44
34619 010 56	2,500	10	20	55



D-shackle cambered

Material: Stainless steel
Addition: forged

■ with captive bolt



Article number	Breaking load [kg]	Ø Stud [mm]	B1 [mm]	L1 [mm]
34631 005 56	1,000	5	10	21
34631 006 56	1,500	6	12	23
34631 008 56	2,500	8	16	34
34631 010 56	4,000	10	20	42
34631 012 56	6,000	12	24	49



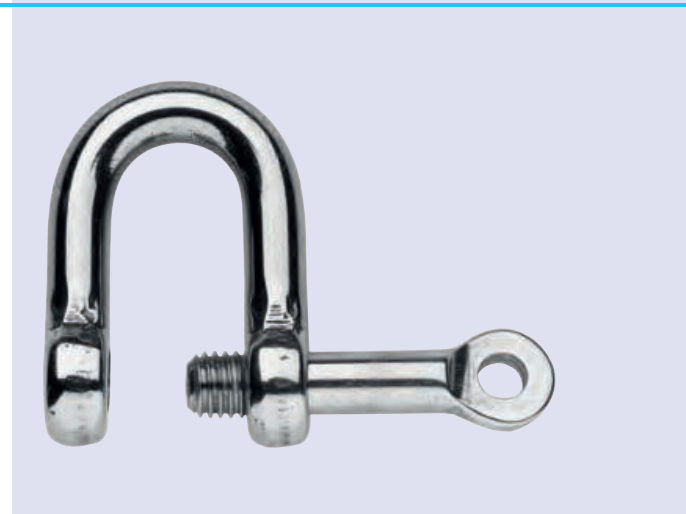
D-shackle

Material: Stainless steel
Addition: forged

■ with captive bolt



Article number	Breaking load [kg]	Ø Stud [mm]	B1 [mm]	L1 [mm]
34632 005 56	1,000	5	10	19
34632 006 56	1,500	6	12	24
34632 008 56	2,500	8	16	32
34632 010 56	4,000	10	20	40
34632 012 56	6,000	12	24	47



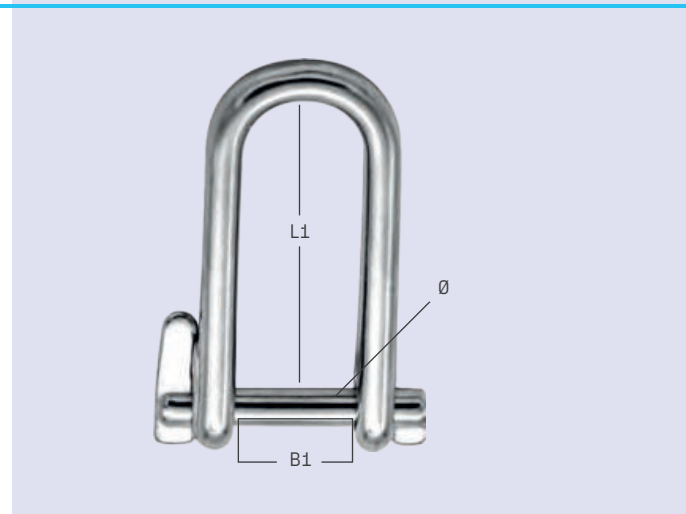
Key shackle

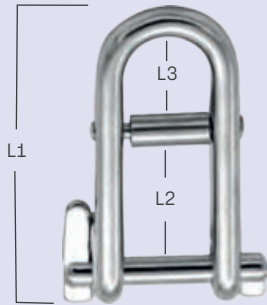
Material: Stainless steel
Addition: cast

■ without bar



Article number	Breaking load [kg]	Ø Stud [mm]	B1 [mm]	L1 [mm]
34625 005 56	1,000	5	12	38
34625 006 56	1,400	6	15	43
34625 008 56	2,500	8	20	60





Key shackle

Material: Stainless steel ■ with bar
Addition: cast

Article number	Breaking load [kg]	Ø Stud [mm]	B1 [mm]	L1 [mm]	L2 [mm]	L3 [mm]
34621 005 56	1,000	5	13	38	21	11
34621 006 56	1,400	6	15	43	23	14.5
34621 008 56	2,500	8	20	60	32	21



WICHARD Key shackle



Material: Stainless steel ■ without bar
Addition: forged

Article number	Working load [kg]	Breaking load [kg]	Ø Stud [mm]	Wichard [no]	B1 [mm]	L1 [mm]
34625 005 55	500	1,200	5	1432	13	37
34625 006 55	650	1,700	6	1433	16	44



WICHARD Key shackle



Material: Stainless steel ■ with bar
Addition: forged

Article number	Working load [kg]	Breaking load [kg]	Ø Stud [mm]	Wichard [no]	B1 [mm]	L1 [mm]	L2 [mm]
34621 005 55	500	1,200	5	81432	13	21	12
34621 006 55	650	1,700	6	81433	16	25	15
34621 008 55	1,000	2,500	8	81434	21	34	20



WICHARD D-shackle



Material: Stainless steel
Addition: forged

Article number	Working load	Breaking load [kg]	Ø Stud [mm]	Wichard [no]	B1 [mm]	L1 [mm]
34615 005 55	256 kg	1,100	5	1262	20	36
34615 006 55	320	1,500	6	1263	25.5	42
34615 008 55	768 kg	2,700	8	1264	32	57
34615 010 55	1,280 kg	4,000	10	1265	40	72

WICHARD Halyard shackle



Material: Stainless steel ■ with glass fiber enhanced polypropylene head
Addition: forged

Article number	Working load [kg]	Breaking load [kg]	Wichard [no]	B1 [mm]	L1 [mm]
34628 008 55	1,000	3,000	1494	16	41
34628 010 55	1,520	5,000	1495	20	51



Flat shackle wide



Material: Stainless steel

Article number	Working load [kg]	Breaking load [kg]	Material thick. [mm]	Ø Stud [mm]	B1 [mm]	L1 [mm]
34680 004 55	250	1,000	2	5	11	18
34680 007 55	325	1,300	2	6	17	25
34680 008 55	400	1,600	2.5	6	17	25



Flat shackle narrow



Material: Stainless steel

Article number	Working load [kg]	Breaking load [kg]	Material thick. [mm]	Ø Stud [mm]	B1 [mm]	L1 [mm]
34681 003 55	150	600	1	4	8	16
34681 004 55	250	1,000	2	5	8	19
34681 005 55	275	1,100	2	5	12	22
34681 007 55	325	1,300	2	6	13	25



Key shackle



Material: Stainless steel

Article number	Working load [kg]	Breaking load [kg]	Material thick. [mm]	Ø Stud [mm]	B1 [mm]	L1 [mm]	L2 [mm]
34686 000 55	400	1,600	3	4/6	16	40	23





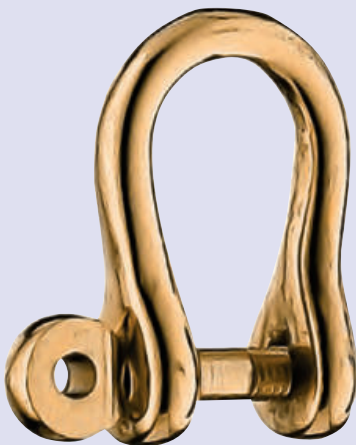
Sprenger shackle key

Material: Stainless steel

■ practical helper incl. bottle opener

Article number

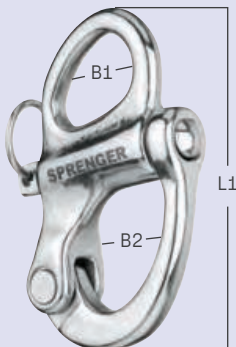
34695 000 56



Brass shackle

Material: Brass I. polished

Article number	Ø Stud [mm]	B1 [mm]	L1 [mm]
34600 003 33	3	9	15



Snap shackles

Material: Stainless steel
Addition: AISI 316



Article number	Breaking load [kg]	Feature	B1 [mm]	B2 [mm]	L1 [mm]
36053 035 56	-	-	11	7	35
36053 050 56	1,155	-	12	9	52
36053 070 56	2,400	-	116	12	66
36053 095 56	3,870	Hexagon head screw	22	16	96



Snap shackles

Material: Stainless steel
360° rotatable: Yes
Addition: AISI 316



Article number	Breaking load [kg]	B1 [mm]	B2 [mm]	L1 [mm]
36054 070 56	1,140	12	12	70
36054 090 56	2,250	16	16	87
36054 120 56	3,500	22	22	120



WICHARD Snap shackle

Material: Stainless steel
360° rotatable: No
Addition: forged

Article number	Working load [kg]	Breaking load [kg]	360° rotatable	Length [mm]	Width [mm]
36053 050 55	960	2,000	-	50	16 10
36053 070 55	1,280	3,000	No	70	21 13



WICHARD Snap shackle

Material: Stainless steel
360° rotatable: Yes
Addition: forged

Article number	Working load [kg]	Breaking load [kg]	Length [mm]	Width [mm]	Width 2 [mm]
36054 070 55	960	2,000	70	16	11
36054 090 55	1,280	3,700	90	21	14



Snap shackles

Material: Stainless steel
360° rotatable: Yes
Addition: AISI 316

Article number	Working load [kg]	Breaking load [kg]	Feature	Ø Stud [mm]	B1 [mm]	B2 [mm]	L1 [mm]
36055 070 56	-	900	Bolt	6	16	10	70
36055 090 56	500	2,000	Hexagon head screw	8	20	13	90
36055 130 56	-	3,800	Hexagon head screw	10	30	20	128





Buoy swivel

Material: Stainless steel
360° rotatable: Yes



Article number	Working load [kg]	Breaking load [kg]	Material thickness [mm]	B1 [mm]	L1 [mm]	Ø [mm]
35965 110 55	1,125	4,500	5	22	110	10



Swivel

Material: Stainless steel
360° rotatable: Yes



Article number	Working load [kg]	Breaking load [kg]	Material thickness [mm]	B1 [mm]	L1 [mm]
35970 000 55	375	1,500	6	20	70



Swivel eye / eye

Material: Stainless steel
360° rotatable: Yes
Addition: AISI 316



Article number	Material thickness [mm]	B1 [mm]	L1 [mm]
35971 005 56	5	13	60
35971 006 56	6	15	65
35971 008 56	8	20	88
35971 010 56	10	24	115



Swivel fork / eye

Material: Stainless steel
Addition: Aisi 316, cast



Article number	Working load [kg]	Breaking load [kg]	Material thickness [mm]	B1 [mm]	L1 [mm]
35932 066 56	225	1,350	6	12	66

Ball bearing swivel



Material: Stainless steel
360° rotatable: Yes

Article number	Working load [kg]	Breaking load [kg]	L1 [mm]
31060 088 55	875	3,500	88



Swivel fork / fork



Material: Stainless steel
360° rotatable: Yes
Addition: cast

Article number	Breaking load [kg]	Ø Stud [mm]	B1 [mm]	L1 [mm]
35933 006 56	1,300	6	12	66
35933 008 56	2,500	8	16	94
35933 010 56	3,500	10	20	118
35933 013 56	6,000	13	26	152

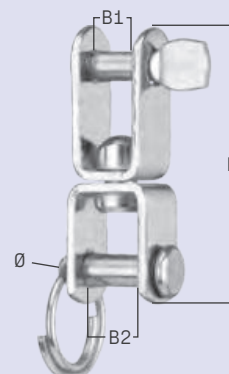


Swivel shackle



Material: Stainless steel
360° rotatable: Yes

Article number	Breaking load [kg]	Material thickness [mm]	Ø Stud [mm]	B1 [mm]	B2 [mm]	L1 [mm]
35945 000 56	750	1.5	5	8	7	41
35945 001 56	700	1.5	5	9	10	41
35945 002 56	1,000	1.7	6	12	12	47
35945 003 56	1,100	2	6	14	14	55





Swivel shackle



Material: Stainless steel
360° rotatable: Yes

Article number	Breaking load [kg]	Material thickness [mm]	Ø Stud [mm]	B1 [mm]	L1 [mm]
35959 060 56	1,000	2	6	13	62



Swivel shackle



Material: Stainless steel
360° rotatable: Yes

Article number	Breaking load [kg]	Material thickness [mm]	Ø Stud [mm]	B1 [mm]	L1 [mm]
35957 045 56	450	1.5	5	9	45



Flag swivel

Material: Brass II. polished

Article number	L1 [mm]
35960 065 33	65
35960 090 33	90



Swivel with snap



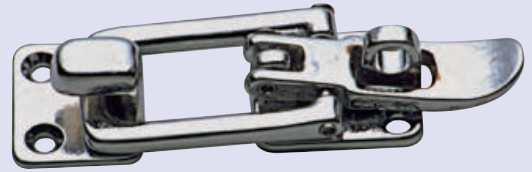
Material: Stainless steel
Ø Tube: 25 mm

Article number	Weight [kg]
35167 000 55	34

Hatch fastener

Material: Brass I. chrome plated
Feature: for padlock

Article number	L1 [mm]
33335 000 32	60



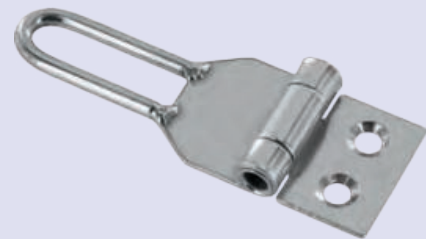
Overfall

Material: Stainless steel

■ matching fender 3792101655



Article number	B1 [mm]	L1 [mm]
33345 000 55	30	90

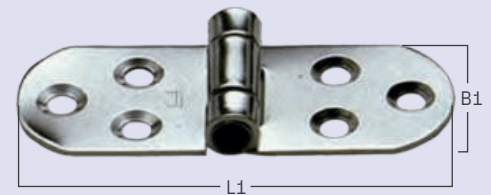


Strap hinge

Material: Stainless steel
Feature: 6 holes
Drill hole for: Countersunk screw 5 mm



Article number	Material thickness [mm]	B1 [mm]	L1 [mm]
33510 000 55	1.5	30	80

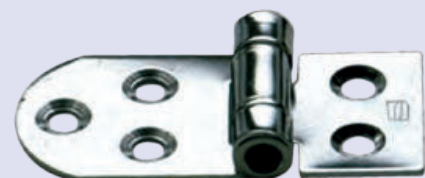


Strap hinge

Material: Stainless steel
Feature: 5 holes
Drill hole for: Countersunk screw 5 mm



Article number	Material thickness [mm]	B1 [mm]	L1 [mm]
33510 002 55	1.5	30	65





Strap hinge

Material: Stainless steel
Feature: 6 holes
Drill hole for: Countersunk screw 5 mm

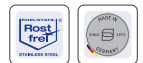


Article number	Material thickness [mm]	B1 [mm]	L1 [mm]
33510 003 55	1.5	30	110



Strap hinge

Material: Stainless steel
Feature: 4 holes
Drill hole for: Countersunk screw 5 mm

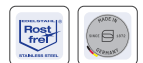


Article number	Material thickness [mm]	B1 [mm]	L1 [mm]
33510 001 55	1.5	30	50



Strap hinge

Material: Stainless steel
Feature: 6 holes
Drill hole for: Countersunk screw 5 mm



Article number	Material thickness [mm]	B1 [mm]	L1 [mm]
33515 100 55	2	40	100



Strap hinge

Material: Stainless steel
Feature: 6 holes
Drill hole for: Countersunk screw 5 mm



Article number	Material thickness [mm]	B1 [mm]	L1 [mm]
33515 150 55	2	40	150
33515 200 55	2	40	200

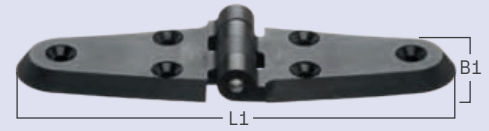
Strap hinge made of black plastic



Material: Plastic
Feature: 6 holes
Color: black
Drill hole for: 5 mm screws

- high strength, temperature resistant, bolt made of stainless steel
- UV resistant

Article number	B1 [mm]	L1 [mm]
33520 001 63	40	140



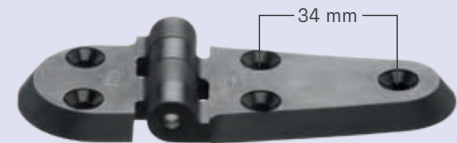
Strap hinge made of black plastic



Material: Plastic
Feature: 5 holes
Color: black
Drill hole for: 5 mm screws

- high strength, temperature resistant, bolt made of stainless steel
- UV resistant

Article number	B1 [mm]	L1 [mm]
33520 002 63	44	110



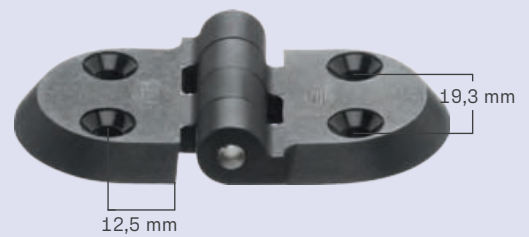
Strap hinge made of black plastic



Material: Plastic
Feature: 4 holes
Color: black
Drill hole for: 5 mm screws

- high strength, temperature resistant, bolt made of stainless steel
- UV resistant

Article number	B1 [mm]	L1 [mm]
33520 003 63	40	75



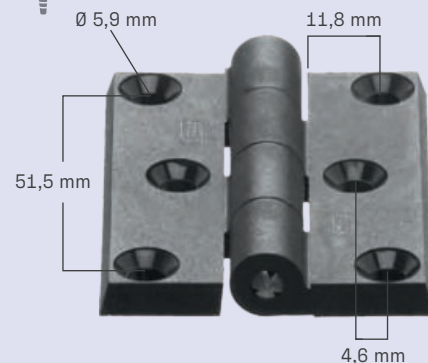
Strap hinge made of black plastic

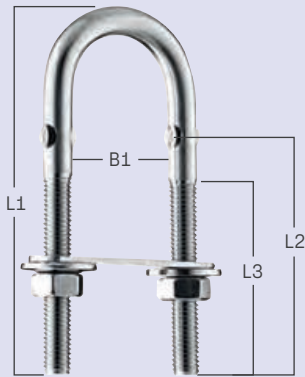


Material: Plastic
Feature: 6 holes
Color: black
Drill hole for: 5 mm screws

- high strength, temperature resistant, bolt made of stainless steel
- UV resistant

Article number	B1 [mm]	L1 [mm]
33521 003 63	65	50





U-Bolts

Material: Stainless steel

Article number	Thread	Addition	B1 [mm]	L1 [mm]	L2 [mm]	L3 [mm]
34231 001 55	M 5	Washer 16021	25.5	84	55	45
34231 002 55	M 8	Washer 16022	30	100	63	25
34231 028 55	M 8	Washer 16022	31	70	32	21
34231 070 55	M 10	Washer 16061	41	125	74	60



Washer

Material: Stainless steel



Article number	Width [mm]	Height [mm]
16021	45	15
16022	55	15
16033	46	15
16061	71	20



U-Bolts

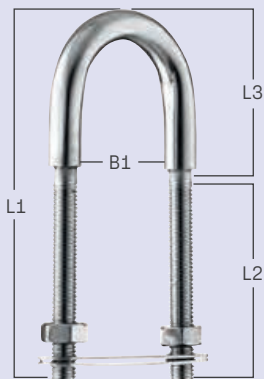
Material: Stainless steel

Thread: M 6

Addition: Washer 16021



Article number	Working load [kg]	Breaking load [kg]	B1 [mm]	L1 [mm]	L2 [mm]	L3 [mm]
34234 001 55	600	2,400	25.5	84	55	45



U-Bolts

Material: Stainless steel

Addition: AISI 316

Article number	Thread	B1 [mm]	L1 [mm]	L2 [mm]	L3 [mm]	Ø [mm]
34246 000 56	M 5	28	80	48	30	7
34246 001 56	M 6	27	90	55	28	8
34246 002 56	M 8	25	80	40	30	10
34246 003 56	M 8	35	100	52	35	10
34246 004 56	M 10	38	115	80	45	12

Hook

Material: Brass II. polished

Article number	Drill hole for	L1 [mm]
33160 000 33	Countersunk screw 4 mm	38



Double hook

Material: Brass II. polished
Addition: With 2 drill holes

Article number	Drill hole for	L1 [mm]
33161 000 33	Countersunk screw 4 mm	34



Hook

Material: Brass II. polished
Addition: With 2 drill holes

Article number	Drill hole for	B1 [mm]	B2 [mm]
35920 000 33	Countersunk screw 4 mm	21	10



Fender Hook

Article number	Material	Addition	Drill hole for	L1 [mm]
39441 000 A5	Brass II. chrome plated	with 2 drillings	Countersunk screw 4 mm	45
39442 040 56	Stainless steel	with 2 drillings	Countersunk screw 4 mm	40



Ring

Material: Stainless steel
Material thickness: 5 mm
Ø Hole: 25 mm



Article number	L1 [mm]
30260 025 55	36



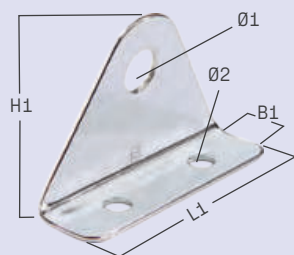
Split rings

Material: Stainless steel
Addition: 5 pieces on SB card



Article number	Size [mm]
33723 010 55	0.9 x 10
33723 017 55	1.5 x 17
33723 023 55	2 x 23



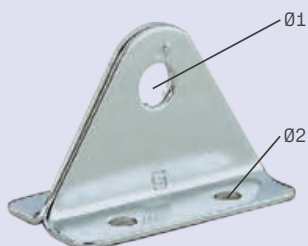


Chain plate

Material: Stainless steel
Material thickness: 1.5 mm



Article number	B1 [mm]	H1 [mm]	L1 [mm]	Ø1 [mm]	Ø2 [mm]
38870 000 55	15	33	50	8	5

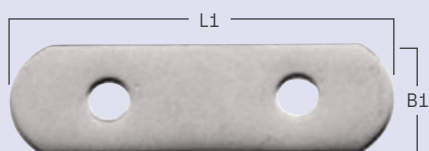


Chain plate

Material: Stainless steel
Material thickness: 1.5 mm



Article number	B1 [mm]	H1 [mm]	L1 [mm]	Ø1 [mm]	Ø2 [mm]
38871 000 55	30	33	50	8	5



Counterplate for chain plate

Material: Stainless steel
Material thickness: 1.5 mm
Suitable for: 38870 and 38871



Article number	Ø Hole [mm]	B1 [mm]	L1 [mm]
38875 000 55	5	15	50



Chain plate

Material: Stainless steel
Material thickness: 1.5 mm



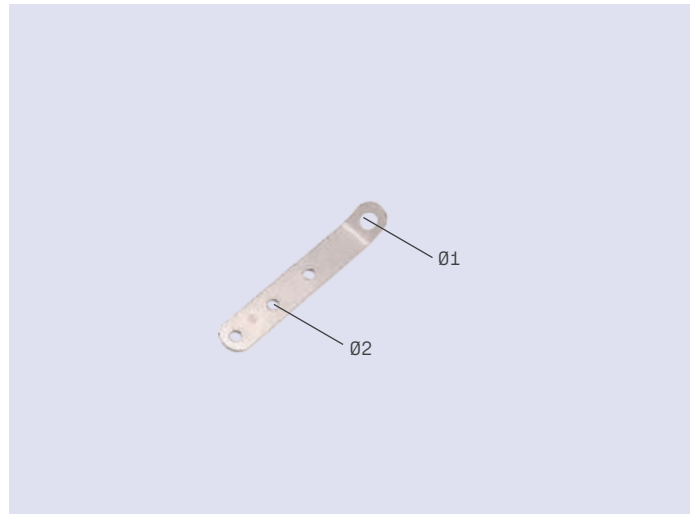
Article number	B1 [mm]	L1 [mm]	Ø1 [mm]	Ø2 [mm]
38890 000 55	20	51	6.5	6.2

Chain plate

Material: Stainless steel
Material thickness: 2 mm



Article number	B1 [mm]	L1 [mm]	Ø1 [mm]	Ø2 [mm]
38892 000 55	20	125	8.2	6.2

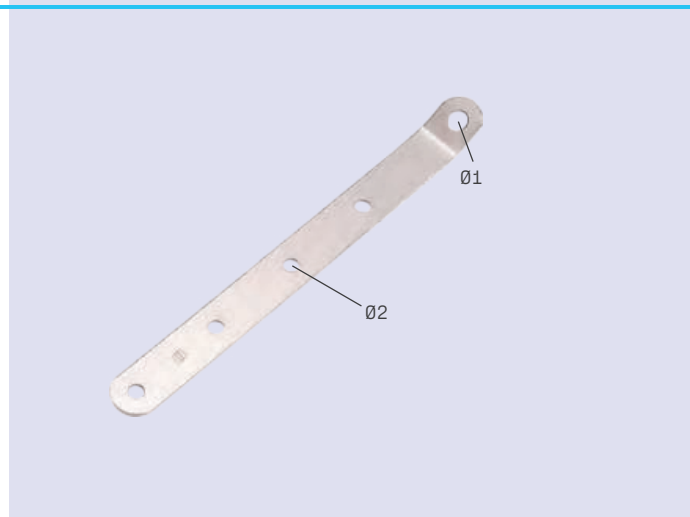


Chain plate

Material: Stainless steel
Material thickness: 1.5 mm



Article number	B1 [mm]	L1 [mm]	Ø1 [mm]	Ø2 [mm]
38893 000 55	20	205	8.2	6.2



Chain plate

Material: Stainless steel
Material thickness: 2 mm



Article number	B1 [mm]	L1 [mm]	Ø [mm]
38930 000 55	20	80	6



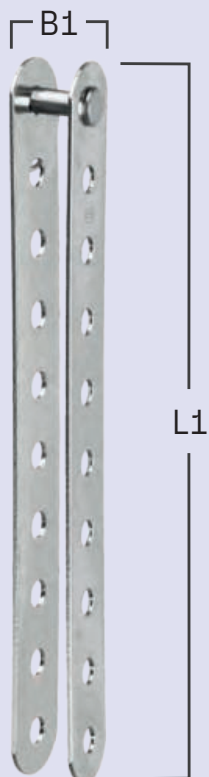
Chain plate

Material: Stainless steel
Material thickness: 2 mm



Article number	B1 [mm]	L1 [mm]	Ø [mm]
38931 000 55	20	50	6





Shroud adjuster

Material: Stainless steel

Feature: not cranked

Article number	Breaking load [kg]	Material thickness [mm]	Ø Stud [mm]	B1 [mm]	L1 [mm]
36931 165 55	1,300	1.5	6	20	165



Shroud adjuster

Material: Stainless steel

Feature: not cranked



Article number	Breaking load [kg]	Material thickness [mm]	Ø Stud [mm]	B1 [mm]	L1 [mm]
36953 150 55	2,000	2	8	24	150



Shroud adjuster

Material: Stainless steel



Article number	Breaking load [kg]	Material thickness [mm]	Ø Stud [mm]	B1 [mm]	L1 [mm]
36950 100 55	900	1.5	5	15	100
36952 155 55	900	1.5	5	15	155
36952 200 55	900	1.5	5	15	200

Shroud adjuster



Material: Stainless steel

Article number	Breaking load [kg]	Material thickness [mm]	Ø Stud [mm]	B1 [mm]	L1 [mm]
36960 104 55	1,200	1.5	5	15	104



Shroud adjuster, 3 rows



Material: Stainless steel ■ very strong
Feature: each 3 rows side by side ■ precisely adjustable

Article number	Breaking load [kg]	Material thickness [mm]	Ø Stud [mm]	B1 [mm]	L1 [mm]
36970 120 55	1,400	2	6	35	120
36971 120 55	900	1.25	5	35	120

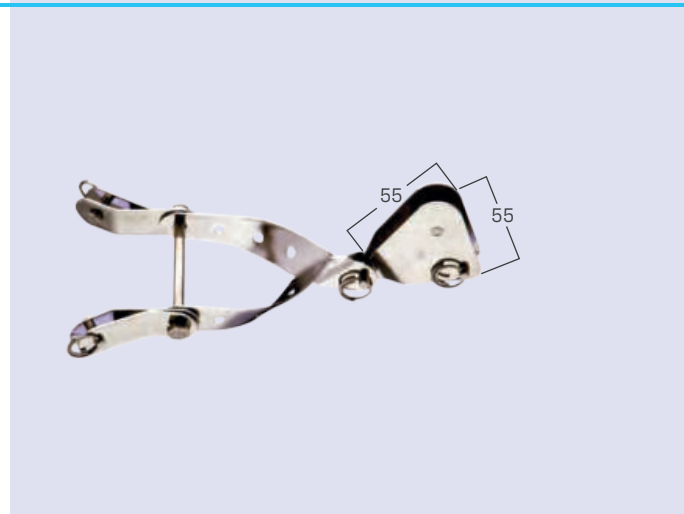


Mast fitting with shroud adjusters



Material: Stainless steel ■ for wood and aluminium masts
Feature: with Shroud Adjusters ■ Foresail sheave 25 x 10 mm, single: 16815
 turnable forestay halyard and ■ Fork part, single: 15512
 block sheave 25 x 10 mm

Article number	Material thickness [mm]
36990 000 55	1.5



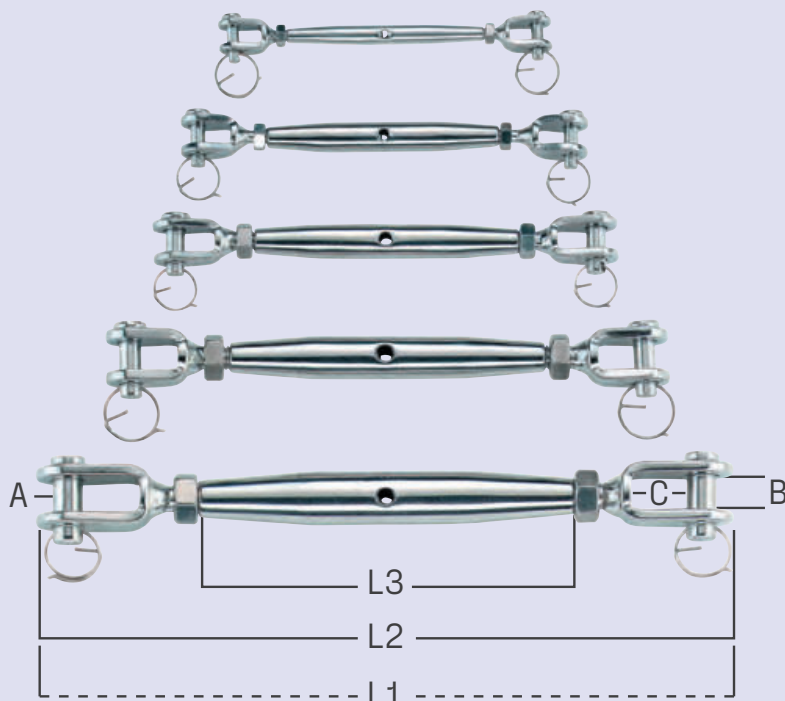
Cheek strap



Material: Stainless steel

Article number
36991 001 55





Turnbuckle, 2 forks



Material: Stainless steel
Addition: AISI 316

- excellent quality
- precise workmanship
- first class polished

Info: Please grease turnbuckles before use

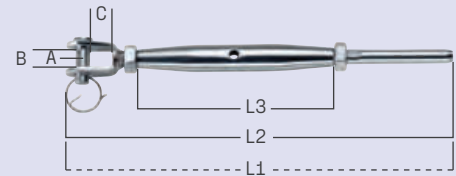
Article number	max. Wire [mm]	Breaking load [kg]	Material thickness [mm]	Length [mm]	Thread	A [mm]	B [mm]	C [mm]
36445 000 56	2,5	750	3	190	M 5	5	7	9
				130				
				78				
36446 000 56	3	1.100	4	220	M 6	6	8	10
				150				
				92				
36447 000 56	4	2.000	4	255	M 8	8	9,5	12
				180				
				105				
36448 000 56	5	3.100	5	300	M 10	9	12	14
				220				
				124				
36449 000 56	6	4.500	5	385	M 12	12	14	22,5
				270				
				148				
36450 000 56	7	6.000	5	425	M 14	12	14	22,5
				300				
				165				
36451 000 56	8	8.000	6	475	M 16	16,5	16	26
				350				
				190				
36452 000 56	10	10.200	6	540	M 20	16,5	20	30
				360				
				210				

1 fork, 1 Swage stud



Material: Stainless steel
Addition: AISI 316

Article number	max. Wire [mm]	Breaking load [kg]	Material thickness [mm]	Length [mm]	Thread	B1 [mm]
36485 000 56	2.5	750	3	145 78	M 5	7
36486 000 56	3	1,100	4	160 92	M 6	8
36487 000 56	4	2,000	4	195 105	M 8	9.5
36488 000 56	5	3,100	5	240 124	M 10	12



Pelican hook



Material: Stainless steel
Addition: AISI 316

Article number	Thread	Ø Hole [mm]	Length [mm]
36260 006 56	M 6	13	75
36260 008 56	M 8	15	100

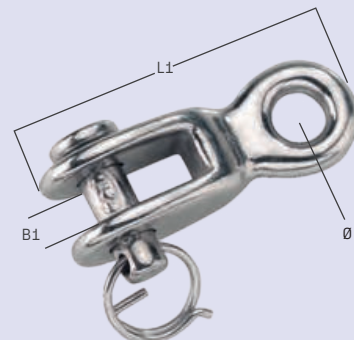


Toggle



Material: Stainless steel
Addition: AISI 316

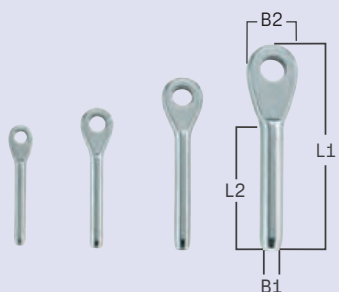
Article number	Breaking load [kg]	Ø Hole [mm]	B1 [mm]	L1 [mm]
36466 005 56	1,000	5	5.8	22
36466 006 56	1,300	6	6.8	27
36466 008 56	1,900	8	8.8	31
36466 010 56	3,000	10	12	36
36466 012 56	4,000	12	12.8	50





Eye terminal

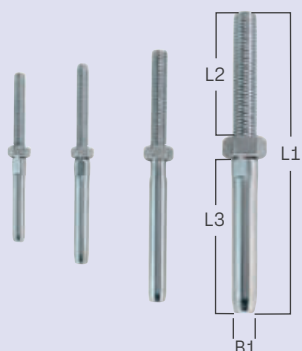
Material: Stainless steel
Addition: AISI 316



Article number	max. Wire [mm]	Break. load [kg]	Material thick. [mm]	Ø Hole [mm]	B1 [mm]	B2 [mm]	L1 [mm]	L2 [mm]
36470 000 56	2.5	600	4	6	2.8	12.5	51	30
36470 001 56	3	700	4	6.5	3.3	13	62	32
36470 002 56	4	1,100	6	8.6	4.3	17	74	39
36470 003 56	5	1,600	7	10.2	5.2	22	90	56

Thread terminal with right-hand thread

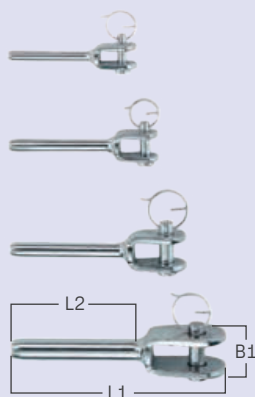
Material: Stainless steel
Addition: AISI 316



Article number	max. Wire [mm]	Breaking load [kg]	Thread	B1 [mm]	L1 [mm]	L2 [mm]	L3 [mm]
36471 000 56	2.5	600	M 5	2.8	72	36	24
36471 001 56	3	700	M 6	3.3	80	40	31
36471 064 56	4	700	M 6	4.3	95	45	40
36471 002 56	4	1,100	M 8	4.3	102	53	40
36471 085 56	5	1,100	M 8	5.2	120	53	56
36471 003 56	5	1,600	M 10	5.2	130	63	56
36471 004 56	6	2,500	M 12	6.7	143	70	61

Fork terminal

Material: Stainless steel
Addition: AISI 316



Article number	max. Wire [mm]	Breaking load [kg]	Ø Stud [mm]	B1 [mm]	L1 [mm]	L2 [mm]
36472 006 56	3	700	6	3.3	74	32
36472 008 56	4	1,100	8	4.3	85	39
36472 010 56	5	1,600	9.5	5.2	101	56
36472 012 56	6	2,500	12	6.7	123	61

T-Terminal

Material: Stainless steel
Addition: AISI 316



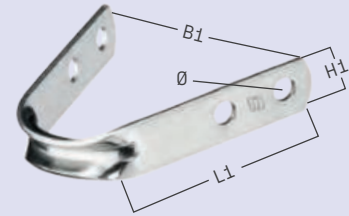
Article number	max. Wire [mm]	L1 [mm]
36474 001 56	3	84
36474 002 56	4	100
36474 003 56	5	115
36474 004 56	6	140

Boom straps



Material: Stainless steel
Ø Hole: 5 mm

Article number	B1 [mm]	H1 [mm]	L1 [mm]
37701 000 55	52	12	50
37702 000 55	60	15	75
37701 001 55	57	12	62

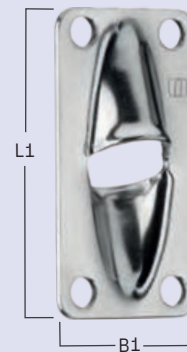


Bush



Material: Stainless steel
Rope: 8 mm
Feature: for max. 12 mm rope
Type: Bush

Article number	Ø Hole [mm]	B1 [mm]	L1 [mm]
38069 000 55	8	25	45



Bow plate



Material: Stainless steel
Type: Hound fitting

Article number	Ø Hole [mm]	B1 [mm]	H1 [mm]	L1 [mm]
38945 000 55	5	40	31	75



Bow plate



Material: Stainless steel

Article number	Ø Hole [mm]	B1 [mm]	H1 [mm]	L1 [mm]
38950 000 55	5	45	30	85



Bow plate



Material: Stainless steel
Feature: heavy version

Article number	Ø Hole [mm]	B1 [mm]	H1 [mm]	L1 [mm]
38951 000 55	7	53	40	100





Sheet ring

Material: Stainless steel

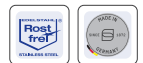


Article number	Width [mm]	for tree [mm]
35820 065 55	71	65



Sheet ring

Material: Stainless steel
 Material thickness: 6 mm
 Feature: very solid



Article number	Width [mm]	for tree [mm]
35822 085 55	93	85

Mast chock

Material: seawater-resistant Aluminum, anodised

Article number	Amount of sheaves	Color	Length [mm]	Cover [mm]	HUB
36616 000 53	6	black	300	30x30	205
36618 005 53	8	black	320	40x40	205





SPRENGER

SPRENGER - OUR LOGISTICS
AND STORAGE:

**„WE ENSURE OUR CUSTOMERS A
PERMANENTLY HIGH DELIVERY READINESS
AND AVAILABILITY OF ALL PRODUCTS.“**

Herm. Sprenger

HANDCRAFTED FOR BOAT SPORTS
SINCE 1872



Rubber rope white

Material: Rubber

Feature: on spools with tracer thread

Color: white

■ dispensing only in complete spools

Article number	Material thickness [mm]	Spool [m]
39780 003 00	3	100
39780 004 00	4	100
39780 005 00	5	100
39780 006 00	6	75
39780 008 00	8	75



Rubber rope black

Material: Rubber

Feature: on spools with tracer thread

Color: black

■ dispensing only in complete spools

Article number	Material thickness [mm]	Spool [m]
39788 003 00	3	100
39788 004 00	4	100
39788 005 00	5	100
39788 006 00	6	75
39788 008 00	8	75



Nylon hook for rubber rope

Material: Nylon

Color: white

■ 5 pieces in a bag

Article number	Rope [mm]	Length [mm]
39784 040 00	4 - 5	40



Nylon hook for rubber rope

Material: Nylon

Color: white

■ 5 pieces in a bag

Article number	Rope [mm]	Length [mm]
39785 050 00	8	50



Quick lock for rubber rope

Color: black

Addition: stepless adjustable

■ 5 pieces in a bag

Article number	Rope [mm]	Length [mm]
39786 040 00	5 - 6	40

Sail fasteners with hook

- the material is corrosion resistant and does not stain even when wet
- easy handling due to tightly knotted nylon hook
- limitless application possibilities: of course also as a sail binder or for securing cargo on board
- 4 pieces in a bag

Material: Rubber
Material thickness: 5 mm
Color: white
Addition: with plastic hook

Article number	Length [cm]
39781 007 00	7
39781 015 00	15
39781 025 00	25
39781 030 00	30
39781 035 00	35
39781 040 00	40
39781 050 00	50
39781 055 00	55
39781 060 00	60
39781 070 00	70



Sail fasteners with quick lock

Color: white
Addition: stepless adjustable

- the material is corrosion resistant and does not stain even when wet
- easy handling due to tightly knotted nylon clip
- limitless application possibilities: of course also as a sail binder or for securing cargo on board
- 4 pieces in a bag

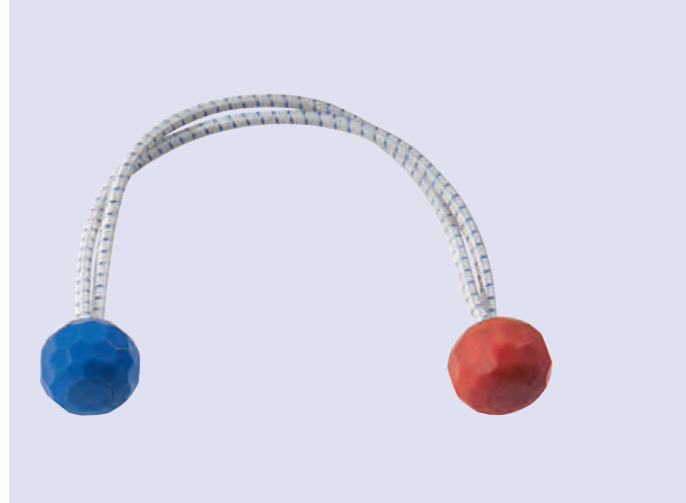
Article number	Material thickness [mm]	Length [cm]
39783 055 00	5	55
39783 075 00	6	75



Sail fasteners with grip balls

Material thickness: 4 mm ■ 4 pieces in a bag
Color: white
Addition: with tracer thread

Article number	Length [mm]
39782 025 00	250
39782 040 00	400
39782 050 00	500
39782 060 00	600





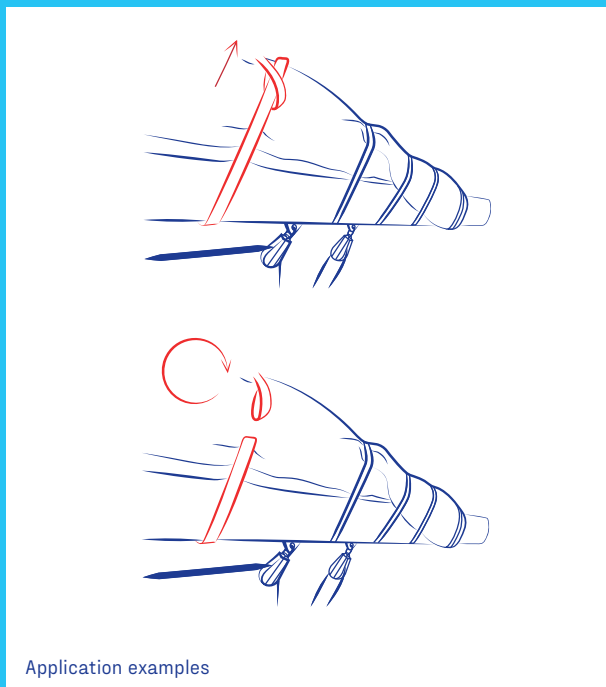
SPRENGER

SAIL FASTENER WITH LOOP



- protects the sail due to the particularly wide contact surface of 25mm
- easy handling due to the 10 cm long loop which is sewn in twisted
- lightweight material that does not absorb water

Article number	Version	Length [m]	Width [mm]
39789 204 00	Pack of 4	2	25



Application examples



Herm. Sprenger

HANDCRAFTED FOR BOAT SPORTS
SINCE 1872



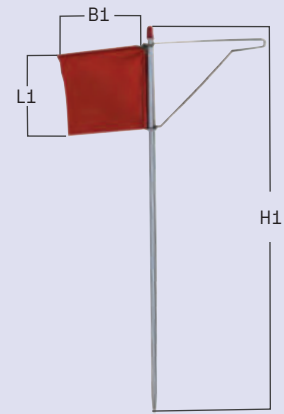
SCAN ME

Wind indicators for optimists



Material: Stainless steel
canvas
Color: red

Article number	B1 [mm]	H1 [mm]	L1 [mm]
38022 000 00	130	390	75

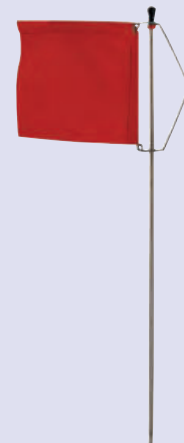


Wind indicators without counter weight, without clip



Material: Stainless steel
canvas
Color: red

Article number	B1 [mm]	H1 [mm]	L1 [mm]
38035 100 55	150	370	100
38035 125 55	170	370	125
38035 150 55	190	370	150



Wind indicators with counter weight, without clip



Article number	B1 [mm]	H1 [mm]	L1 [mm]
38045 100 55	150	370	100
38045 125 55	170	370	125
38045 150 55	190	370	150



Protest flag with velcro fastener



Material: canvas

Article number	B1 [mm]	L1 [mm]
38050 001 00	190	120
38050 002 00	250	160



Clip for wind indicator suitable for 38035 and 38045



Material: Stainless steel

Article number	Ø Hole [mm]	B1 [mm]	L1 [mm]	L2 [mm]
38055 000 55	3	10	75	42



Wind indicator replacement

Material: spinnaker cloth
Feature: spinnaker cloth

Article number	B1 [mm]	L1 [mm]
38060 100 00	150	100
38060 125 00	170	125
38060 150 00	190	150





End piece

Material: Stainless steel
Length: 58 mm
Addition: AISI 316

Article number	Length [mm]	Ø Tube [mm]	L1 [mm]
32604 020 56	58	20	58
32604 022 56	58	22	58
32604 025 56	58	25	58



Centerpiece

Material: Stainless steel
Addition: AISI 316

Article number	Ø Tube [mm]
32605 020 56	20
32605 022 56	22
32605 025 56	25



Deck hinge

Material: Stainless steel (AISI 316)

Article number	Length [mm]	Width [mm]	Grad
32606 000 56	60	18	10°
32624 000 56	60	18	90°



Deck hinge side mounted

Material: Stainless steel
Addition: AISI 316

Article number	Length [mm]	Width [mm]
32608 000 56	50	23



Deck hinge



Material: Stainless steel
Feature: bolt replaceable
 curved ground plate

Article number	Length [mm]	Width [mm]
32623 000 56	60	18



Deck hinge



Material: Stainless steel
Feature: bolt replaceable
Addition: AISI 316

Article number	Length [mm]	Width [mm]
32625 000 56	60	18



Deck hinge



Material: Stainless steel
Addition: AISI 316

Article number	Length [mm]	Width [mm]
32626 000 56	70	25



Tube joint



Material: Stainless steel
Addition: AISI 316

Article number	Ø Tube [mm]
32627 022 56	22
32627 025 56	25





Adjustable end piece

Material: Stainless steel
Addition: AISI 316

Article number	Ø Tube [mm]
32628 022 56	22
32628 025 56	25



Joint piece

Material: Stainless steel
Addition: AISI 316

Article number	Ø Tube [mm]
32630 022 56	22
32630 025 56	25



Foot 60°

Material: Stainless steel
Addition: AISI 316

Article number	Ø Tube [mm]
33915 022 56	22
33915 025 56	55



Foot 90°

Material: Stainless steel

Article number	Ø Tube [mm]
33916 022 56	22

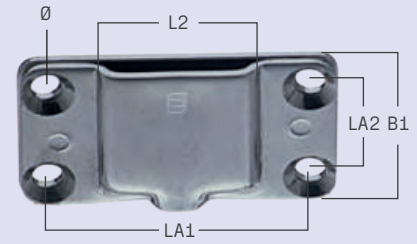


Flange for tarpaulin steel for screwing



Material: Stainless steel
Feature: to unscrew

Article number	Material	B1 [mm]	L2 [mm]	LA1 [mm]	LA2 [mm]	Ø [mm]
34150 018 55	Stainless steel	25	18	26	16	4



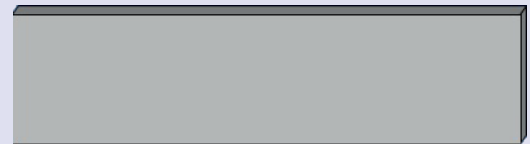
Tarpaulin steel 18x 2 mm

Weight: 20 kg
Material: Laminated galvanized steel

- spring steel strip with rounded edges
- delivery only in complete rings
- price per kg, approx. 15-20 kg (15 kg = approx. 50 m)

Article number

36190 000 22



Flange for tarpaulin steel for inserting



Material: Brass I. chrome plated

Article number	Width [mm]
34190 018 32	18

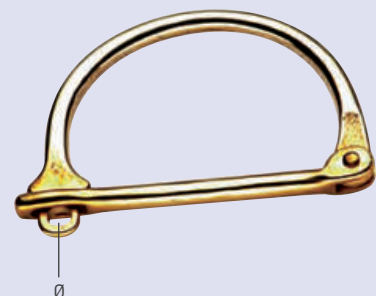


Laundry bag holder



Material: Brass II. polished

Article number	Length [mm]	Ø Hole [mm]
33110 105 33	105	6



SAILING GLOVES REGATTA – IN TWO DIFFERENT VERSIONS AVAILABLE



Flexgrip provides for abrasion resistance and increased grip on the fingers and palms



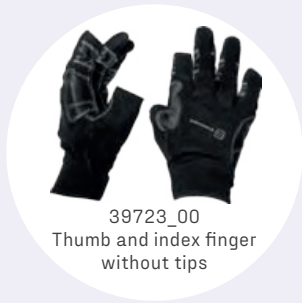
39722_00
without fingertips



excellent comfort & flexibility

comfortable stretch material at the back of the hand

touch tape closure on the inside



39723_00
Thumb and index finger without tips



SCAN ME



Material: FLEXGRIP
Feature: Without fingertips
Color: black / white
Type: Racing
Addition: with touch tape closure

Article number	Glove size
39722 121 00	XS
39722 122 00	S
39722 123 00	M
39722 124 00	L
39722 125 00	XL
39722 126 00	XXL



Material: FLEXGRIP
Feature: Thumb and forefinger without tip
Color: black / white
Type: Racing
Addition: with touch tape closure

Article number	Glove size
39723 121 00	XS
39723 122 00	S
39723 123 00	M
39723 124 00	L
39723 125 00	XL
39723 126 00	XXL

GLOVES

- excellent fit
- palms completely enhanced by double leather
- back of the hand is made of an elastic polyamide
- comfortable wearing and grip, independent of temperature
- elastic glove wrist band with wide fastener ensures a high wearing comfort

Material: Goat leather
Polyamide
Feature: Thumb and forefinger without tip
Color: black
Addition: with touch tape closure

Article number	Glove size
39726 002 00	S
39726 003 00	M
39726 004 00	L
39726 005 00	XL
39726 006 00	XXL



Material: Calf leather
Polyamide
Feature: Thumb and forefinger without tip
Color: blue / white
Addition: with touch tape closure

Article number	Glove size
39732 000 00	XXS
39732 001 00	XS
39732 002 00	S
39732 003 00	M
39732 004 00	L
39732 005 00	XL
39732 006 00	XXL



Material: Calf leather
Polyamide
Feature: Without fingertips
Color: blue / white
Addition: with touch tape closure

Article number	Glove size
39733 000 00	XXS
39733 001 00	XS
39733 002 00	S
39733 003 00	M
39733 004 00	L
39733 005 00	XL
39733 006 00	XXL



WINCH BIT

Turn your cordless screwdriver into an electric winch crank.

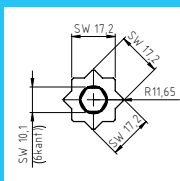
The SPRENGER WINCH BIT is ideal for electrifying all commercially available winches. It offers a high level of quality due to the processing of high-quality, stainless steel and can be conveniently used in a standard, powerful cordless screwdriver with a 13 mm drill chuck.

CRANKING WAS YESTERDAY!

Areas of application:

- hoisting & reefing the mainsail
- furling & hoisting the headsail
- hoisting the anchor
- supportive with a small crew

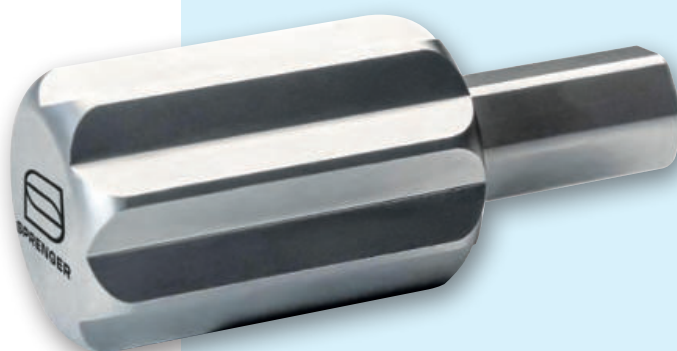
Article number	Length [mm]	WS
30401 000 55	55	17,2



WINCH BIT



MADE IN GERMANY



Herrn. Sprenger
HANDCRAFTED FOR BOAT SPORTS
SINCE 1872



SCAN ME



PROP SPRAY

Herrn. Sprenger

HANDCRAFTED FOR BOAT SPORTS
SINCE 1872



HOW TO

PROP SPRAY

The SPRENGER PROP SPRAY is an underwater primer based on special acrylic resins. It is ideal as a primer for drives, propellers, trim tabs, saildrives and outboards.

- Primer Spray
- optimal for Trilux Prop-O-Drev
- excellent grip
- fast drying

Article number	Content [ml]	Color
08907 040 00	400	grau





FlexDry

Long-term protection against moisture.



Heim. Sprenger

HANDCRAFTED FOR BOAT SPORTS
SINCE 1872



MADE IN GERMANY



SCAN ME



AREA OF APPLICATION

Protection against mould, corrosion (rust), mould stains, fogged windows or bad odours in closed rooms with little or no ventilation.



FUNCTIONALITY

Absorbs up to 200% of its own weight in moisture. Effective for several months depending on the ambient climate. Unobtrusive, flexible placement thanks to compact dimensions.



SAFETY

Absorbed moisture turns into a gel and is never liquid.



ENVIRONMENT

Non-hazardous granules of calcium chloride and starch. Disposal via household waste.



QUALITY

Made in Germany – tested by independent institutes.



Article number	Version	Measurements [mm]
39000 100 00	Flex Dry „Single“ (125 g – individually packaged)	200 x 165 x 25
39000 106 00	Flex Dry „Six-Pack“ (750 g – individually packaged)	200 x 165 x 25

How many FlexDry do I need for my boat in winter storage?

Cubic metre	Number FlexDry*
1	1
5	2
10	3
50	13

*Data may vary in case of climatic changes.



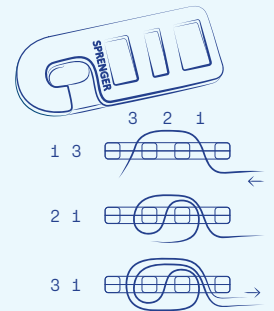
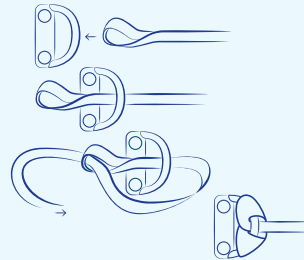
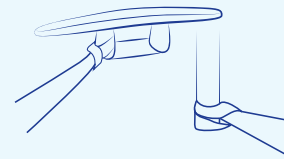
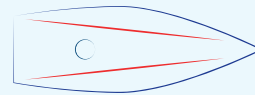
SPRENGER

JACKLINE INDIVIDUALLY APPLICABLE

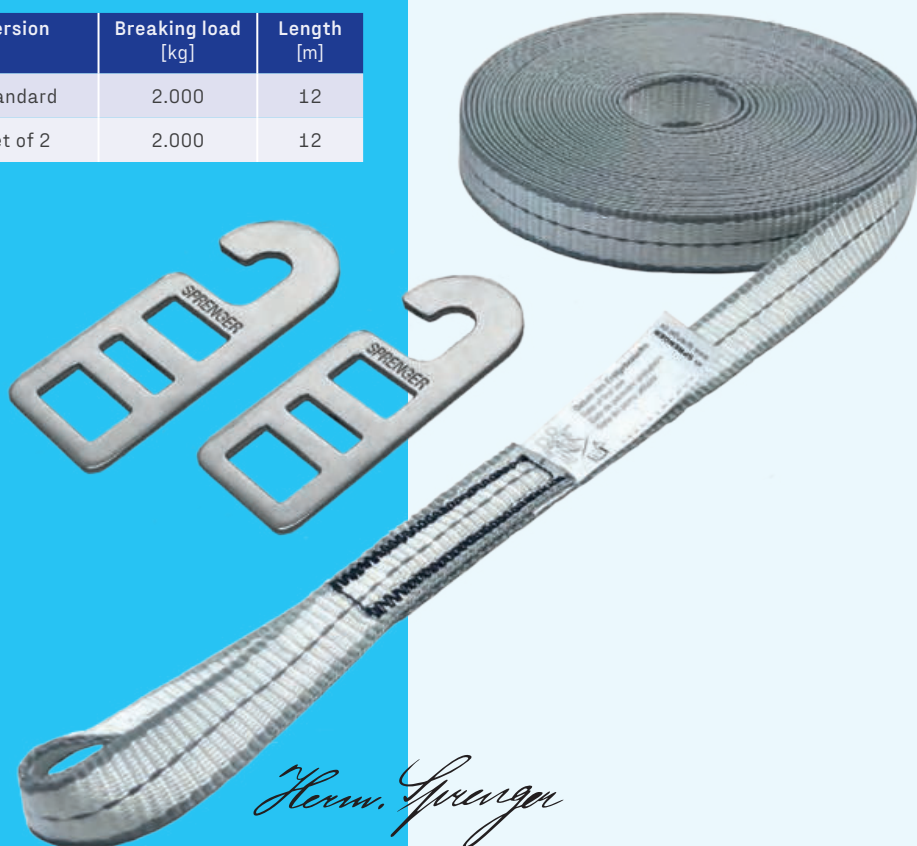


- 25 mm wide webbing made from abrasion resistant polyester with a length of 12 m
- has a loop and a hook
- the webbing is infinitely adjustable, individually adjustable and can be shortened
- with a reflective 3M thread woven into it for thread for optimal visibility in the dark
- the safety leash can be mounted without fittings or tools

Order number	Version	Breaking load [kg]	Length [m]
39765 012 00	Standard	2.000	12
39765 212 00	Set of 2	2.000	12



Application examples



Herm. Sprenger

HANDCRAFTED FOR BOAT SPORTS
SINCE 1872



SCAN ME

Series Offshore

- knives for practising outdoor aquatic sports such as fishing, motor boating, kayaking, as well as other outdoor activities
- top cutting quality, locking blade, one-handed opening, corrosion resistance, night visibility (depending on the model)
- serrated blade
- with shackle opener, marlinspike and adjustable loop

Material: Stainless steel
Plastic

Feature: WICHARD Knife Offshore

Article number	Color	Wichard [no]
34731 000 55	fluorescent / black	10112
34731 001 55	blue / black	10116
34731 002 55	orange / black	10119



Series Offshore

- knives for practising outdoor aquatic sports such as fishing, motor boating, kayaking, as well as other outdoor activities
- top cutting quality, locking blade, one-handed opening, corrosion resistance, night visibility (depending on the model)

Material: Stainless steel
Plastic

Feature: WICHARD Knife Offshore

Article number	Color	Wichard [no]
34733 000 55	fluorescent / black	10122
34733 001 55	blue / black	10126
34733 002 55	orange / black	10129



Keel roller

Material: Rubber
Color: black

Article number	Length [mm]	fits [mm]	Ø Outside [mm]	Ø Inside [mm]
37820 100 00	95	100	75	13
37820 130 00	125	130	75	13
37820 200 00	195	200	75	16



Bow roller

Material: Rubber
Color: black

Article number	Length [mm]	fits [mm]	Ø Outside [mm]	Ø Inside [mm]
37821 075 00	70	75	75	13



V keel roller

Material: Rubber
Color: black

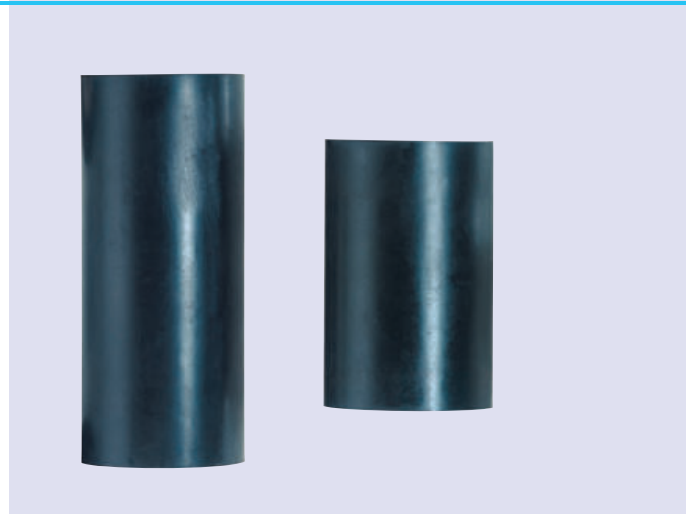
Article number	Length [mm]	fits [mm]	Ø Outside [mm]	Ø Inside [mm]
37822 200 00	195	200	80	16
37822 250 00	245	250	80	16



Straight roller

Material: Rubber
Color: black

Article number	Length [mm]	fits [mm]	Ø Outside [mm]	Ø Inside [mm]
37823 225 00	100	100	62	16
37823 275 00	150	150	62	16



Bow guard roller

Material: Rubber
Color: black

Article number	fits [mm]	groundplate L x W	Height
37824 050 00	50	50 x 50 mm	50
37824 075 00	75	75 x 75 mm	100
37824 100 00	100	100 x 75 mm	75





Swimming ladder

Material: Stainless steel
PVC
Width: 255 mm
telescopic: Yes
Addition: AISI 316

Article number	Length [mm]	Amount of steps
38669 003 56	380 - 875	3
38669 004 56	400 - 1165	4



Code of signals sticker

Size: 20 x 17.5 cm

Article number
33980 000 00



Mast slider

Material: Stainless steel
max. boat length: 9 m



Article number	Size [mm]	Suitable for
36501 019 55	19	36511 018 55
36501 023 55	23	36511 022 55
36501 028 55	28	36511 027 55



Keychain

Amount of sheaves: 1
Rope: 6 mm
Working load: 112 kg
Breaking load: 450 kg
Material: Stainless steel
Plastic
Bearing: Ball bearing

Article number
39710 000 55

Drybag

Material: PVC
Color: blue
Size: 1.5 l

Article number	Capacity [l]
39790 000 00	1.5



Signal horn

Material: Brass, polished
Feature: Straight

Article number	Length [mm]
32550 000 30	330



Signal horn






Material: Brass, polished
Feature: bent

Article number	Length [mm]
32551 000 30	270



ICONS

Icon	Description
	Ball bearing
	Sliding bearing
	Needle bearing
 	Ø max. Diameter
	Profile

Icon	Description
	Length / Telescope length
	Matching thread size
	Genuine leather
	Stainless steel
	Whirling

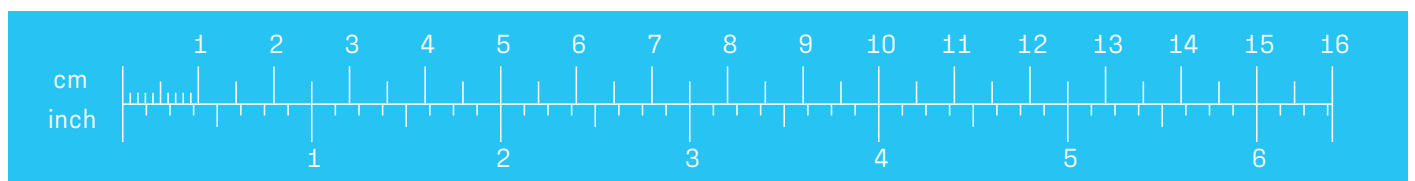


COMPARISON CHART/MEASURES MATERIAL- AND QUALITY CODE

mm / cm	Inch
1 mm	3/64"
1,5 mm	1/16"
2 mm	5/64"
2,5 mm	3/32"
3 mm	1/8"
4 mm	5/32"
5 mm	3/16"
6 mm	1/4"
7 mm	9/32"
8 mm	5/16"
9 mm	3/8"
10 mm	13/32"
11 mm	7/16"
12 mm	15/32"
13 mm	1/2"
14 mm	9/16"
15 mm	19/32"
16 mm	5/8"
17 mm	11/16"
18 mm	23/32"
19 mm	3/4"
20 mm	25/32"
21 mm	13/16"
22 mm	7/8"
23 mm	29/32"
24 mm	15/16"
25 mm	1"
27 mm	1 1/16"
28 mm	1 1/8"
30 mm	1 3/16"
32 mm	1 1/4"
33 mm	1 5/16"
35 mm	1 3/8"
36 mm	1 3/8"
38 mm	1 1/2"
40 mm	1 9/16"
45 mm	1 3/4"
50 mm	2"
55 mm	2 3/16"
60 mm	2 3/8"
65 mm	2 1/2"
70 mm	2 3/4"
75 mm	3"
80 mm	3 1/8"
90 mm	3 1/2"
95 mm	3 3/4"
10 cm	4"
10,8 cm	4 1/4"
11,5 cm	4 1/2"
12 cm	4 3/4"
12,7 cm	5"
13 cm	5 1/8"
13,5 cm	5 1/4"
14 cm	5 1/2"
14,7 cm	5 3/4"
15,2 cm	6"
15,5 cm	6 1/8"
16 cm	6 3/8"

Number	Explanation
00	Various materials
02	Iron chrome plated
06	Galvanised iron
10	Hot galvanized steel
22	Laminated galvanized steel
30	Brass I. polished
32	Brass I. chrome plated
33	Brass II. polished
34	Brass II. nickel plated
35	Brass II. chrome plated
47	Die cast I. chrome plated
52	Aluminium hard anodised
53	Seawater-resitant Aluminium, black anodised
54	Seawater-resitant Aluminium, bright anodised
55	Stainless steel
56	Stainless steel
59	Seawater-resitant Aluminium, plastic coated, black
60	Tuphnol
63	Hostaform C or black plastic
71	Rubber

Note: Dimensions of all articles are subject to change. Breaking loads are approximate.



**WARRANTY**

SPRENGER gives a guarantee of free exchange in the event of a defect in the products in our sales program. Excluded from this are improper handling, use outside boating (unless approved by SPRENGER), wear and aging, and repairs.

WORKING LOAD AND BREAKING LOAD

We recommend at least four times the safety unless other values are explicitly stated.

Example:

Breaking load specification in the catalogue 1.000 kg
Working load(Breaking load : 4) = 250 kg

CARE AND CONTROL OF TUPHNOL

Thoroughly rinse sand, dirt and salt crystals from the SPRENGER product with tap water, especially after use in salt water areas. All Moving parts on blocks and sheet clamps, ball bearings, plain bearings and needle bearings should be greased with marine spray after cleaning. Inspect all products before use and replace if damaged or worn. Regular cleaning of stainless steel fittings will protect against discoloration that is otherwise common.

LEGEND: SPECIAL SHIPPING

Increased costs will be incurred. The person in charge will be happy to provide you with details at any time.

SPECIAL NOTES ON THE SPRENGER BLOCKS

Damage to blocks can occur due to overloading as a result of undersizing, patent jibs, but also due to use with a clew, although a swivel would be appropriate. In such a case, the block is forced by the sheet into a rotational movement, which it cannot follow due to the missing swivel. As a result, the sheet no longer runs over the roller, but into the side piece. The resulting forces will severely deform and destroy the block. Therefore, use blocks with swivels whenever possible. Damage to blocks can occur due to overloading as a result of undersizing, patent jibs, but also due to use with a clew, although a swivel would be appropriate. In such a case, the block is forced by the sheet into a rotational movement, which it cannot follow due to the missing swivel. As a result, the sheet no longer runs over the roller, but into the side piece. The resulting forces will severely deform and destroy the block. Therefore, use blocks with swivels whenever possible. SPRENGER blocks are also ideally suited for use in salt water areas. Especially at the rivet and around the rivet point, rust may occur. Unfortunately, this cannot be avoided, but does not affect the quality. It is the smallest residual particle deposits of the machining tools. However, this "rust deposit" is only superficial and can be easily removed.

SET SAILS

Herrn. Sprenger

HANDCRAFTED FOR BOAT SPORTS
SINCE 1872



A	Anchoring & docking	102-103	K	Keel rollers	153	Terminals	134	
	Accessoires	154-155		Key shackles	115	Tiller extension - fixed joint	88-89	
	Accessoires for Opti and Dinghies	94		Knives (WICHARD)	152	Tiller extension - Telescopic	90	
B	Bailer (ANDERSEN)	92-93	L	Low Friction Ring	58	Tiller extension fittings	91	
	Ball bearing base	22-23	M	Mast cheek blocks	36	Tiller fittings	100-101	
	Ball bearing blocks 8 mm	66-67		Micro XS blocks	24-28	Tracks & Slides 20 x 3 mm	76-78	
	Ball bearing blocks 10 mm	70-71	P	Prop Spray	149	Tracks & Slides 25 x 4 mm	79-80	
	Ball bearing blocks 12 mm	62-63	R	Ratchet blocks for 6-10 mm	19	Tracks & Slides 32 x 6 mm	81	
	Blocks for wire	48-51		Rope Shackles	59	Traveller Boat Runner	84-87	
	Boat hooks	104		Row locks	100	Traveller track	83	
	Bow plates	135		Rubber rope & accessories	138-140	Turnbuckles	132-133	
	Buoyancy bag & Bailer balls	94	S	S-Blockseries 8 mm	8-11	U	U-Bolts	126
C	Cam cleats	72-75		S-Blockseries 10 mm	12-14		Upright blocks	38-40
	Camlan cam cleats	72-75		S-Blockseries 12 mm	15-18	W	Winch Bit	148
	Chain plate	128-129		Self-tacking-jib-set system	82		Wind indicators	141
	Cheek blocks	34-35		Shackles	114-119			
	Cheek blocks	39		Sheaves	56-57			
	Cleats & clamps	106-108		Sheet ring and Mast chock	136			
	Course Keeper	95		Shock absorber	102			
D	Downhaul blocks	32-33		Shroud adjusters	130-131			
E	Eye- & U-Bolts	98		Sliding bearing blocks for 8 mm	64			
	Eye bolt	99		Sliding bearing blocks for 10 mm	68			
F	Fairleads	96-97		Sliding bearing blocks for 12 mm	69			
	Fenders (MAJONI)	109-111		Sliding bearing blocks for 14 mm	20-21			
	Flat material shackles	117		Snap hooks	112-113			
	Flex Dry	150		Snap shackles	118-119			
	Folding top fittings	142-144		Special blocks	44-45			
	Foot blocks	37		Springs	55			
G	Gloves	146-147		Stainless steel strap hinges	123-125			
H	High load blocks	52-54		Stanchion and trapeze blocks	46-47			
	Hooks	102		Starp hinges & fasteners	123-125			
	Hooks & rings	127		Swivels	120-122			
I	Industry blocks	41-43	T	Tackles, complete	60-61			

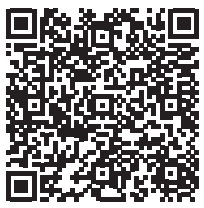
Art. no.	Page	Art. no.	Page	Art. no.	Page	Art. no.	Page	Art. no.	Page
0		3132408055	113	3384112554	106	3408910200	111	3461401056	114
0890704000	149	3132408056	113	3384115054	106	3414500655	59, 100	3461500555	116
14		3132410055	113	3384120054	106	3414500855	59, 100	3461500655	116
14743	87	3132410056	113	3384608054	107	3414501055	59, 100	3461500855	116
16		3132412055	113	3384610054	107	3415001855	145	3461501055	116
16021	126	3132412056	113	3384612554	107	3419001832	145	3461900456	115
16022	126	32		3384615054	107	34200000A6	98	3461900556	115
16033	126	3255000030	155	3384620054	107	3422100656	99	3461900656	115
16061	126	3255100030	155	3384810056	107	3422100856	99	3461900856	115
17		3260402056	142	3384812556	107	3422101056	99	3461901056	115
17501	87	3260402256	142	3384815056	107	3422101256	99	3462100555	116
30		3260402556	142	3384820056	107	3422300656	99	3462100556	116
3000000752	58	3260502056	142	3384825056	107	3422300856	99	3462100655	116
3000001052	58	3260502256	142	3384910056	107	3422301056	99	3462100656	116
3000001452	58	3260600056	142	3384912556	107	3423100155	126	3462100855	116
3000002052	58	3260600056	142	3384915056	107	3423100255	126	3462100856	116
3000002852	58	3260800056	142	3384915056	107	3423102855	126	3462500555	116
3026002555	127	3262300056	143	3384920056	107	3423107055	126	3462500556	115
3040100055	148	3262400056	142	3384925056	107	3423400155	126	3462500655	116
3094000855	56	3262400056	142	3391502256	144	3424600056	126	3462500656	115
3094500055	54, 56	3262500056	143	3391502556	144	3424600156	126	3462500856	115
3094600055	54, 56	3262600056	143	3391602256	144	3424600256	126	3462800855	117
3095000134	57	3262702256	143	3398000000	154	3424600356	126	3462801055	117
3095000234	57	3262702556	143	34		3424600456	126	3463100556	115
3095000434	57	3262802256	144	3401010400	59	3424700156	99	3463100656	115
3095000534	57	3262802556	144	3401010500	59	3424700256	99	3463100856	115
3095000634	57	3263002256	144	3401010600	59	3424700356	99	3463101056	115
3096000500	57	3263002556	144	3401010800	59	3424700456	99	3463101256	115
3096000600	57	33		3401011200	59	3424800156	99	3463200556	115
3097000163	57	3301002855	96	3401011400	59	3424800256	99	3463200656	115
3097000263	57	3301003455	96	3401011600	59	3424800356	99	3463200856	115
3097002663	57	3301202556	96	3401110400	59	3424800456	99	3463201056	115
3097002963	57	3301203156	96	3401110600	59	3424800556	99	3463201256	115
3097003063	57	3301204156	96	3401110800	59	3424800656	99	3468000455	117
3097003563	57	3311010533	145	3401110800	59	3424900156	99	3468000755	117
3097004263	57	3316000033	127	3401111000	59	3424900256	99	3468000855	117
3097004663	57	3316100033	127	3401111200	59	3424900356	99	3468100355	117
3097005063	57	3333500032	123	3401111400	59	3424900456	99	3468100455	117
3098006363	57	3334500055	123	3401111600	59	3425403856	100	3468100555	117
31		3351000055	123	3401111800	59	3425405556	100	3468100755	117
3106008855	121	3351000155	124	3401112000	59	3425407556	100	3468600055	117
3118106556	112	3351000255	123	3408010000	109	3425500156	98	3469500056	118
3118107556	112	3351000355	124	3408010100	109	3425500256	98	3473100055	152
3118210556	112	3351000555	124	3408010200	109	3425500356	98	3473100155	152
3129003056	113	3351510055	124	3408010300	109	3425500456	98	3473100255	152
3129005055	113	3351515055	124	3408099900	109	3425600156	98	3473300055	152
3129005056	113	3352000163	125	3408350100	109	3425600256	98	3473300155	152
3129007056	113	3352000263	125	3408350200	109	3425600356	98	3473300255	152
3129007555	113	3352000363	125	3408350300	109	3425700156	98	3499500055	55
3129010055	113	3352100363	125	3408350400	109	3425700256	98	3499500155	55
3130003056	112	3372301055	127	3408360100	110	3425700356	98	3499500255	55, 63, 64, 67
3130004056	112	3372301755	127	3408360200	110	3425800156	98	3499500355	55, 69, 71
3130005056	112	3372302355	127	3408360300	110	3425800256	98	3499500455	54-55, 68
3130006056	112	3373010255	37	3408360400	110	3425800356	98	3499500555	55
3130007056	112	3373010355	37	3408370100	110	3448300155	105	3499500755	55
3130008056	112	3373010555	37	3408370200	110	3448300255	105		
3130010056	112	3373020255	37	3408370300	110	3448400155	105	35	
3130012056	112	3373020355	37	3408370400	110	3448400255	105	3500000055	29
3130104056	112	33735020A5	100	3408380100	110	3460000333	118	3500100055	29
3130105056	112	33735026A5	100	3408380200	110	3460000456	114	3500100155	29
3130106056	112	33735031A5	100	3408380300	110	3460000556	114	3500100255	29
3130107056	112	33735056A5	100	3408380400	110	3460000656	114	3500100800	44
3130108056	112	33735065A5	100	3408390100	110	3460000856	114	3500200355	44
3130110056	112	33736030A5	100	3408390200	110	3460001056	114	3501100055	31
3130112056	112	33736035A5	100	3408390300	110	3460001256	114	3501100155	31
3130205056	112	33736040A5	100	3408390400	110	3460009056	114	3501100255	31
3130206056	112	33736045A5	100	3408500100	111	3460090556	114	3501400155	31
3130207056	112	3380004033	106	3408500200	111	3460090656	114	3502100055	30
3130208056	112	3380105055	106	3408500300	111	3460090856	114	3502100155	30
3130208056	112	3380106055	106	3408673500	111	3460091056	114	3502100255	30
3130210056	112	3380108055	106	3408674500	111	3460091256	114	3503100055	31
3130212056	112	3380110055	106	3408700000	111	3461000456	114	3503100155	31
3132406055	113	3382415056	107	3408700100	111	3461000556	114	3503400155	32
3132406056	113	3382420056	107	3408800000	111	3461000656	114	3504100155	32
		3382425056	107	3408800100	111	3461000856	114	3504100255	32
		3382430056	107	3408900000	111	3461001056	114	3505219255	32
		3383005056	108	3408900100	111	3461001256	114	3506501055	29
		3383006056	108	3408900200	111	3461400456	114	3506502055	30
		3384108054	106	3408910000	111	3461400556	114	3506510055	30
		3384110054	106	3408910100	111	3461400656	114	3506585055	30
						3461400856	114		

Art. no.	Page	Art. no.	Page	Art. no.	Page	Art. no.	Page	Art. no.	Page
3506701055	31	3525110455	21	3532065055	24	3565010155	12	3567129100	14
3506702055	31	3525120200	69	3532070055	24	3565010255	15	3567129200	18
3506801055	30	3525120455	21	3532075055	24	3565011055	46	3567149000	11
3506901055	31	3525160000	62	3532160055	24	3565011155	46	3567149100	14
3507001055	31	3525160100	66	3532165055	24	3565020000	8	3567149200	18
3507101055	32	3525160200	70	3532170055	25	3565020100	12	3567179000	11
3508600855	36	3525170100	66	3532175055	25	3565020200	15	3567590055	10
3508601055	36	3525170200	70	3532260055	26	3565030055	8	3568040000	9
3510300055	48	3525210255	69	3532265055	26	3565030155	12	3568100055	9
3510500055	48	3525260055	63	3532360055	26	3565030255	15	3582006555	136
3510800055	48	3525260155	66	3532365055	26	3565031055	46	3582208555	136
3510800155	49	3525260200	70	3532460055	26	3565031155	46	3592000033	127
3511100055	38, 49	3525270055	63	3532465055	26	3565040000	8	3593206656	120
3511100155	38, 50	3525270155	66	3532560055	26	3565040100	12	3593300656	121
3511100255	38	3525270255	70	3532660055	28	3565040200	15	3593300856	121
3511100355	39, 50	3525310000	64	3532665055	28	3565040505	9	3593301056	121
3511100455	39	3525310100	68	3532760055	28	3565045155	13	3593301356	121
3511100555	39	3525310200	69	3532765055	28	3565045255	16	3594500056	121
3512000155	33	3525310455	20	3532860055	25	3565060055	8	3594500156	121
3512000255	33	3525320455	20	3532865055	25	3565070000	8	3594500256	121
3512000355	33	3525360000	62	3532901055	27, 35	3565110155	13	3594500356	121
3512300155	32	3525360100	66	3532902055	27, 35	3565110255	17	3595704556	122
3513100055	50	3525360200	70	3532961055	27, 35	3565120000	10	3595906056	122
3513100155	50	3525410000	64	3532965055	27, 35	3565130155	13	3596006533	122
3513500055	40	3525410100	68	3533160055	27	3565130255	17	3596009033	122
3513550055	40	3525410200	69	3533165055	27	3565140000	10	3596511055	120
3513600055	40	3525410455	21	3533260055	27	3565170000	10	3597000055	120
3514800055	39	3525420455	21	3533265055	27	3565210155	14	3597100556	120
3514900055	25	3525460000	62	3534065055	54	3565210255	17	3597100656	120
3516210055	55	3525460100	66	3534165055	54	3565220000	11	3597100856	120
3516260155	66	3525460200	70	3536071055	19	3565230155	14	3597101056	120
3516600055	46	3525470200	70	3537071055	19	3565230255	17	3598500155	63, 64
3516700055	46, 122	3525560055	63	3537171055	19	3565240000	11	3598500255	67
35170050A0	51	3525560155	67	3538071055	19	3565270000	11	3598500355	69, 71
3518041500	60	3525560255	70	3538171055	19	3565310055	9	3598500455	68
3518121500	60	3525570055	63	3539000000	22	3565310155	12	3598501055	54
3518242000	60	3525610100	68	3539100000	22	3565310255	15	36	
3518322000	60	3525610200	69	3540000000	22	3565320000	10	3605303556	118
3518400554	61	3525610455	20	3540100000	22	3565320100	13	3605305055	119
3518500555	61	3525620100	68	3540200000	22	3565320200	16	3605305056	118
3518600555	61	3525620200	69	35420016A0	43	3565330055	9	3605307055	119
3518700555	61	3525620455	20	3542091600	43	3565330155	12	3605307056	118
3519000055	45	3525621155	68	3542091600	43	3565330255	15	3605309556	118
3519100055	45	3525621255	69	3542100056	43	3565340000	10	3605407055	119
3521501055	34	3525660100	67	3545210054	81	3565340100	13	3605407056	118
3521502055	34	3525660200	71	3545215054	81	3565340200	16	3605409055	119
3521561055	34	3525670100	67	3545220054	81	3565360055	9	3605409056	118
3522500055	41, 49	3525670200	71	3545503054	76	3565370000	10	3605412056	118
3522500155	41	3525671255	71	3545504054	76	3565410155	13	3605507056	119
3522600055	42, 49	3525720455	21	3545505054	76	3565410255	17	3605509056	119
3522600155	41	3525729155	68	3545510054	76	3565420000	10	3605513056	119
3523000055	42	3525729255	69	3545515054	76	3565430155	13	3619000022	145
3523100055	42	3525779155	67	3545520054	76	3565430255	17	3626000656	133
3523200055	42	3525779255	71	3545710054	79	3565440000	10	3626000856	133
3523300055	43	3525800555	51	3545715054	79	3565470000	10	3644500056	132
3523400155	43	3526300255	37	3545720054	79	3565510155	14	3644600056	132
3525010000	64	3526300355	37	3545725054	79	3565510255	18	3644700056	132
3525010100	68	3526550200	35	3545820053	76	3565520000	11	3644800056	132
3525010200	69	3526760255	71	3545820054	76	3565530155	14	3644900056	132
3525010455	20	3526829455	21	3545825053	79	3565530255	18	3645000056	132
3525011455	20	3526869255	71	3545825054	79	3565540000	11	3645100056	132
3525020000	64	3526960255	70	3545832053	81	3565570000	11	3645200056	132
3525020100	68	3527029155	68	3545832054	81	3565610255	16	3646600556	133
3525020200	69	3527079055	63	3545902063	76	3565611255	16	3646600656	133
3525020455	20	3527079155	67	3545902563	80	3565630055	9	3646600856	133
3525021455	20	3527079255	70	3545903263	81	3565630255	16	3646601056	133
3525040055	64	3527179055	63	3546002554	79	3565631255	16	3646601256	133
3525060000	62	3527179155	67	3546102554	80	3565660055	9	3647000056	134
3525060100	66	3527179255	71	3547102063	76	3565720000	8	3647000156	134
3525060200	70	3530065055	52	3552202055	77	3565729200	17	3647000256	134
3525070000	62	3530265055	52	3552202555	80	3565740000	8	3647000356	134
3525070100	66	3530365055	52	3552802555	80	3565749200	17	3647100056	134
3525070200	70	3530465055	53	3553102055	77	3565770000	8	3647100156	134
3525075055	62	3530565055	53	3555802055	77	3567029000	11	3647100256	134
3525075155	66	3530865055	53	3556002055	77	3567029100	14	3647100356	134
3525075255	70	3530965055	39, 53	3556502055	78	3567029200	18	3647100456	134
3525080055	62	3531560055	28	3557002055	78	3567049000	11	3647106456	134
3525090055	62	3531760055	28	3557002555	80	3567049100	14	3647108556	134
3525110000	64	3531860055	25	3557102055	78	3567049200	18	3647200656	134
3525110100	68	3531865055	25	3557502055	78	3567079000	11		
3525110200	69	3532060055	24	3565010055	8	3567129000	11		

Art. no.	Page	Art. no.	Page	Art. no.	Page	Art. no.	Page	Art. no.	Page
3647200856	134	3702430100	93	3807300155	47	3887100055	128	3920200800	94
3647201056	134	3702430200	93	3807400055	28, 47	3887500055	128	39441000A5	127
3647201256	134	3702430300	93	3807400156	47	3888006000	89	3944204056	127
3647400156	134	3702430400	93	3818104000	94	3888007500	89	3971000055	154
3647400256	134	3703000100	94	3818106000	94	3888009000	89	3972212100	146
3647400356	134	3703006700	94	3818108000	94	3888010000	89	3972212200	146
3647400456	134	3717100100	95	3818110000	94	3888011000	89	3972212300	146
3648500056	133	3717100200	95	3818112000	94	3888012500	89	3972212400	146
3648600056	133	3717100300	95	3825000052	84	3888014000	89	3972212500	146
3648700056	133	3717100400	95	3825000152	84	3888306054	88	3972212600	146
3648800056	133	3717121000	95	3825000252	84	3888307554	88	3972312100	146
3650101955	154	3717131000	95	3825000352	85	3888309054	88	3972312200	146
3650102355	154	3717141000	95	3825500052	85	3888310054	88	3972312300	146
3650102855	154	3743800000	23	3825500152	85	3888311054	88	3972312400	146
3653000356	97	3743900055	45	3825500252	85	3888312054	88	3972312500	146
3653000456	97	3744000055	23	3825500352	86	3888406059	88	3972312600	146
3653000556	97	3770100055	135	3825500552	86	3888406959	89	3972600200	147
3653000656	97	3770100155	135	3825500952	86	3888407559	88	3972600300	147
3653000856	97	3770200055	135	3825900052	83	3888408959	89	3972600400	147
3653001056	97	3781000100	102	3826010052	83	3888409059	88	3972600500	147
3653001256	97	3781000200	102	3826011052	83	3888410059	88	3972600600	147
3661600053	136	3781000300	102	3826012052	83	3888411059	88	3973200000	147
3661800553	136	3781100100	102	3826013252	83	3888412559	88	3973200100	147
3666000156	108	3781100200	102	3826015052	83	3888414059	88	3973200200	147
3666000256	108	3781100300	102	3826018052	83	3888801600	91	3973200300	147
3666000356	108	3781500056	102	3826800063	83	3888801700	91	3973200400	147
3666100056	108	3781700056	102	3827010052	83	3889000055	128	3973200500	147
3666200056	108	3782010000	153	3827012052	83	3889200055	129	3973200600	147
3668100855	73	3782013000	153	3827013252	83	3889300055	129	3973300000	147
3668101355	73	3782020000	153	3827015052	83	3893000055	129	3973300100	147
3668101655	73	3782107500	153	3827018052	83	3893100055	129	3973300200	147
3668300800	73	3782220000	153	3827100052	86	3894500055	135	3973300300	147
3668301300	73	3782225000	153	3827200052	87	3895000055	135	3973300400	147
3668301600	73	3782322500	153	3827500100	82	3895100055	135	3973300500	147
3668401355	74	3782327500	153	3827500200	82	3898100156	103	3973300600	147
3668500854	73	3782405000	153	3829012052	83	3898100256	103	3976501200	151
3668501354	73	3782407500	153	3829013252	83			3976521200	151
3668700863	74	3782410000	153	3829015052	83	39		3978000300	138
3668701363	74	3792000033	97	3829018052	83	3900010000	150	3978000400	138
3668800863	74	3792100955	97	3866900356	154	3900010600	150	3978000500	138
3668801363	74	3792101055	63, 64, 67, 97	3866900456	154	3900500710	103	3978000600	138
3669500863	72	3792101655	71, 97	3879400155	100	3900501510	103	3978000800	138
3669501363	72	3792500855	96	3879400255	101	3900502510	103	3978100700	139
3669590863	73	3792501055	96	3879400455	101	3900503210	103	3978101500	139
3669591363	73	3792501255	96	3885000055	91	3900504010	103	3978102500	139
3669600863	72	3792501655	96	3885501663	91	3900506010	103	3978103000	139
3669601363	72	3792900856	96	3885501863	91	3900900002	103	3978103500	139
3669800863	72	3792901056	96	3886006054	88	3900900056	103	3978104000	139
3669801363	72	3792901256	96	3886007554	88	3905130800	106	3978105000	139
3693116555	130	3792901656	96	3886009054	88	3905131100	106	3978105500	139
3695010055	130	3793001035	97	3886010054	88	3905131400	106	3978106000	139
3695215555	130			3886011054	88	3905131800	106	3978107000	139
3695220055	130	38		3886101655	91	3905132100	106	3978202500	139
3695315055	130	3802200000	141	3886101955	91	3905506100	104	3978204000	139
3696010455	131	3803510055	141	3886507054	90	3905512100	104	3978205000	139
3697012055	131	3803512555	141	3886509054	90	3905520100	104	3978206000	139
3697112055	131	3803515055	141	3886511054	90	3905521200	104	3978305500	139
3699000055	131	3804510055	141	3886515054	90	3905746500	94	3978307500	139
3699100155	131	3804512555	141	3886601600	91	3906006000	104	3978404000	138
		3804515055	141	3886707054	90	3906009000	104	3978505000	138
37		3805000100	141	3886709054	90	3918920400	140	3978604000	138
3702300055	92	3805000200	141	3886711054	90	3920200100	94	3978800300	138
3702300155	92	3805500055	141	3886715054	90	3920200200	94	3978800400	138
3702300255	93	3806010000	141	3886806054	90	3920200300	94	3978800500	138
3702300355	93	3806012500	141	3886807554	90	3920200400	94	3978800600	138
3702300455	93	3806015000	141	3886810054	90	3920200600	94	3978800800	138
3702300555	92	3806900055	135	3887000055	128	3920200700	94	3979000000	155

SPRENGER – OUR PASSION

„THE ROAR OF THE SEAS, THE GLIDE IN THE WIND,
THE INDESCRIBABLE FEELING OF FREEDOM -
THAT IS OUR MOTIVATION.“



SCAN TO VIEW OUR
TERMS & CONDITIONS



Herm. Sprenger
Metallwarenfabrik GmbH & Co. KG

Alexanderstraße 10-21 · 58644 Iserlohn · Germany

Phone +49 (0) 23 71 95 59-0
boot@sprenger.de
www.sprenger.de