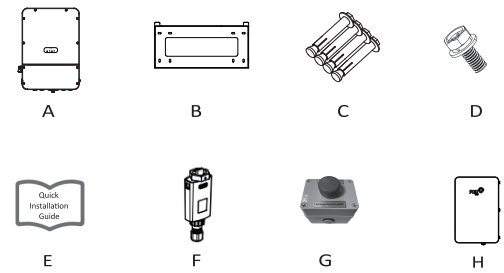


Quick Installation Guide US Series Hybrid Inverter

1. Packing List

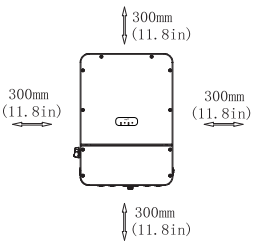


OBJ	QTY	DESC	OBJ	QTY	DESC
A	1	Inverter	E	1	Quick Installtoin Guide
B	1	Bracket	F	1	Smart WiLAN/GPRS (Optional)
C	4	Blot Sockets	G	1	E-STOP
D	1	Set Screw	H	1	FOX Hub

2. Installation Steps

Inverter Installation

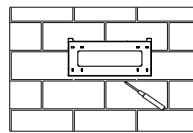
Please make sure the inverter will be installed with a proper distance as shown below.



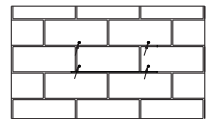
Position	Min Size
Left	300mm (11.8in)
Right	300mm (11.8in)
Top	300mm (11.8in)
Bottom	300mm (11.8in)
Front	300mm (11.8in)

Step 1: Fix the bracket on the wall

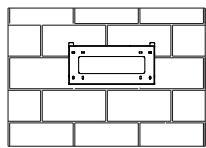
Choose the place on which you want to install the inverter. Place the bracket on the wall and mark the position of the 4 holes from bracket.



Drill holes with an electric drill, make sure the holes are at least 50mm deep, and then tighten the expansion tubes.

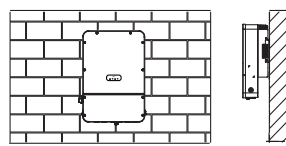


Insert the expansion tubes into the holes and tighten them. Install the bracket with the expansion screws.

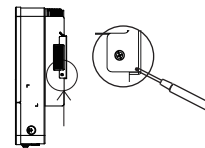


Step 2: Match the inverter with wall bracket

Hang the inverter over the bracket, slightly lower the inverter, and make sure the two mounting grooves on the back are properly fixed with the two bracket bars.



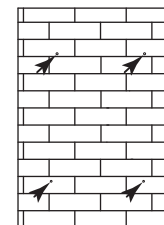
Tighten the anti-theft screw.



FOX Hub Installation

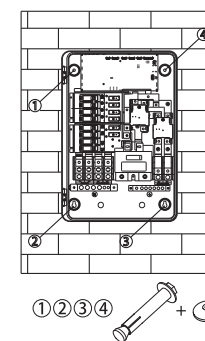
Step 1: Drill holes in the wall

Drill holes with an electric drill, and make sure the holes are at least 50mm deep.

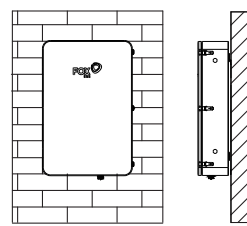


Step 2: Fix the FOX Hub to the wall

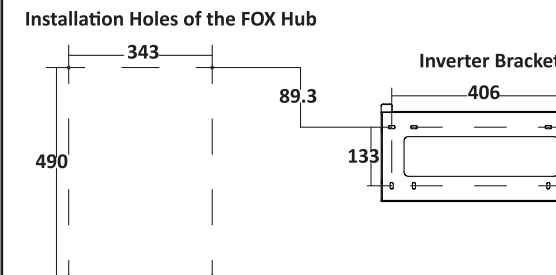
Fix the FOX Hub to the wall with four blot sockets and four waterproof gaskets.



The FOX Hub is installed on the wall as shown in the figure.



Suggestion: the height difference between the highest installation holes of the FOX Hub and the highest installation holes of the inverter bracket is 89.3mm.

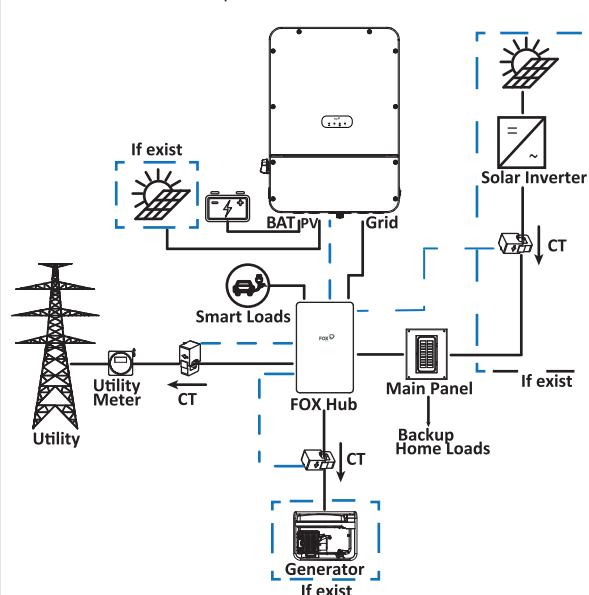


US SERIES HYBRID INVERTER QUICK INSTALLATION GUIDE

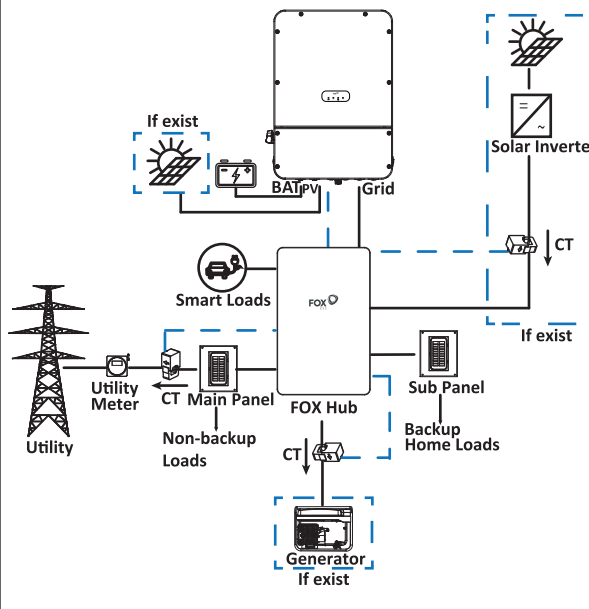
3. Wiring Steps

System Wiring Diagram

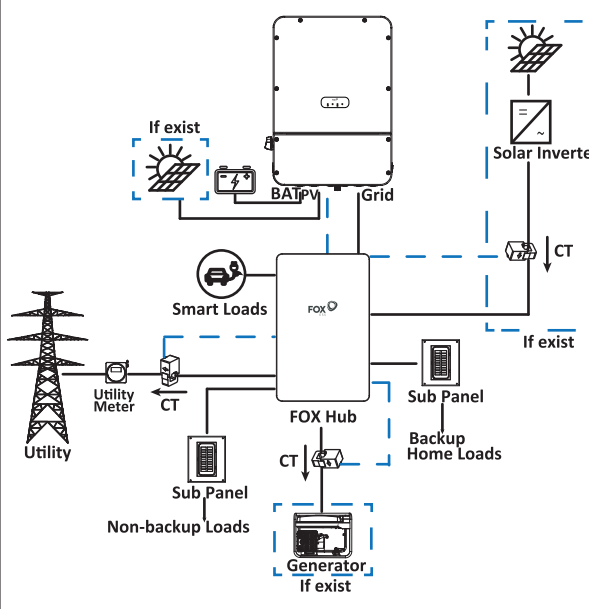
Whole-Home Backup



Partial-Home Backup (FOX Hub not as Service Panel)

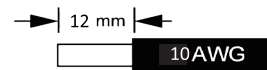


Partial-Home Backup (FOX Hub as Service Panel)

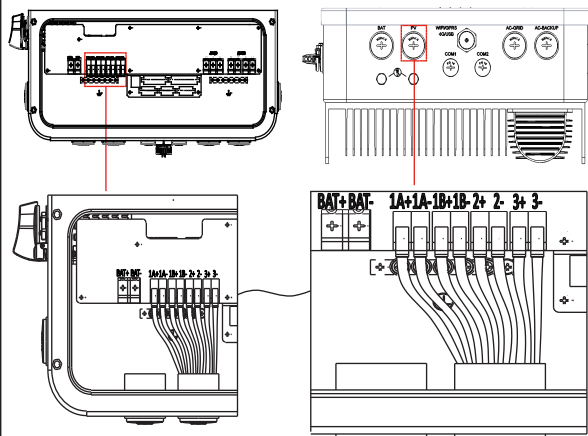


PV Wiring

- Turn off the DC switch.
- Choose 10 AWG copper cable to connect the PV module.
- Trim 12 mm of insulation from the cable end.

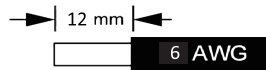


- Connect the DC connector (PV) via the above copper cable as below.

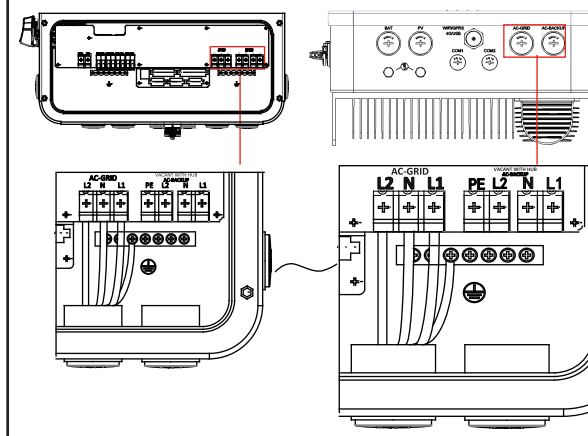


AC Wiring

- Choose 6 AWG copper cable to connect the AC module.
- Trim 12 mm of insulation from the cable end.

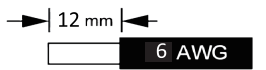


- Connect the AC connector via the above copper cable as below.

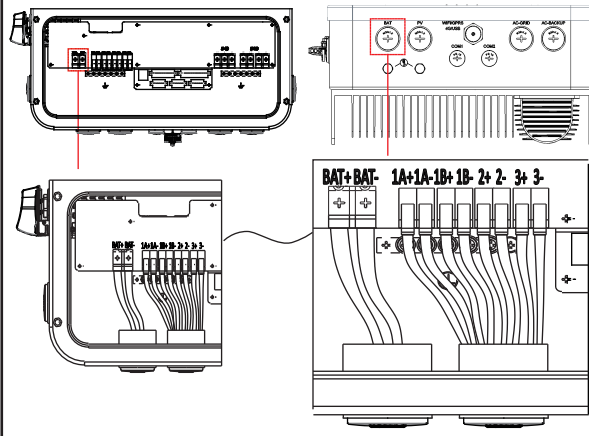


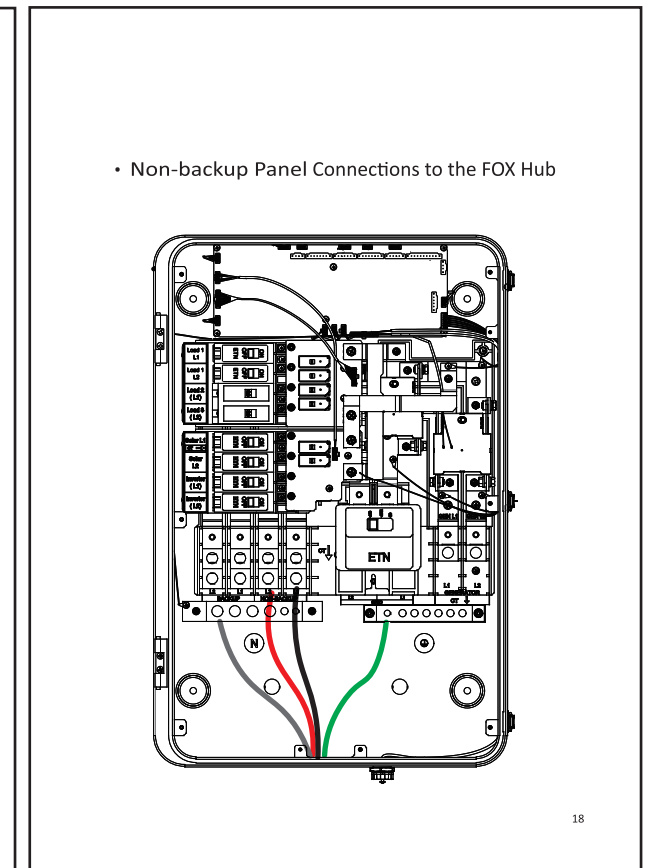
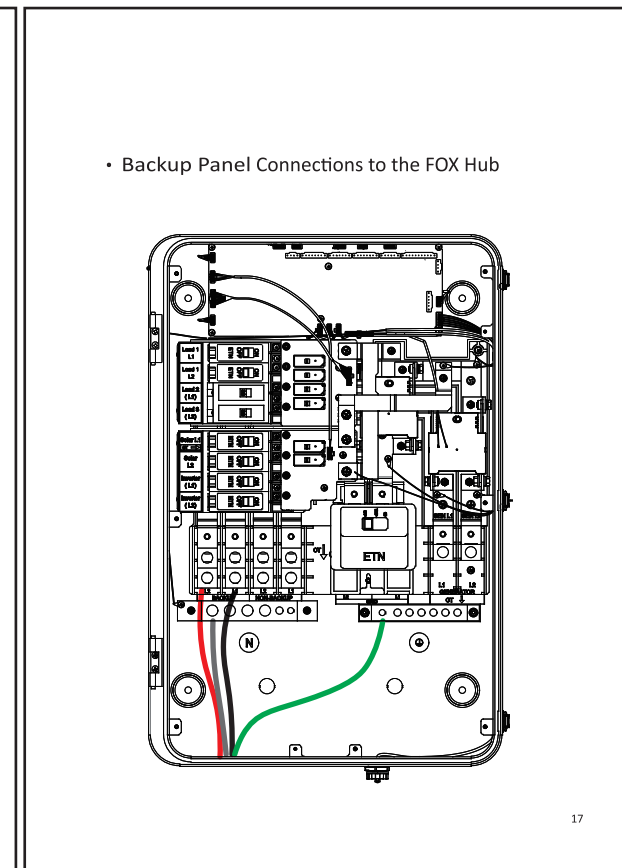
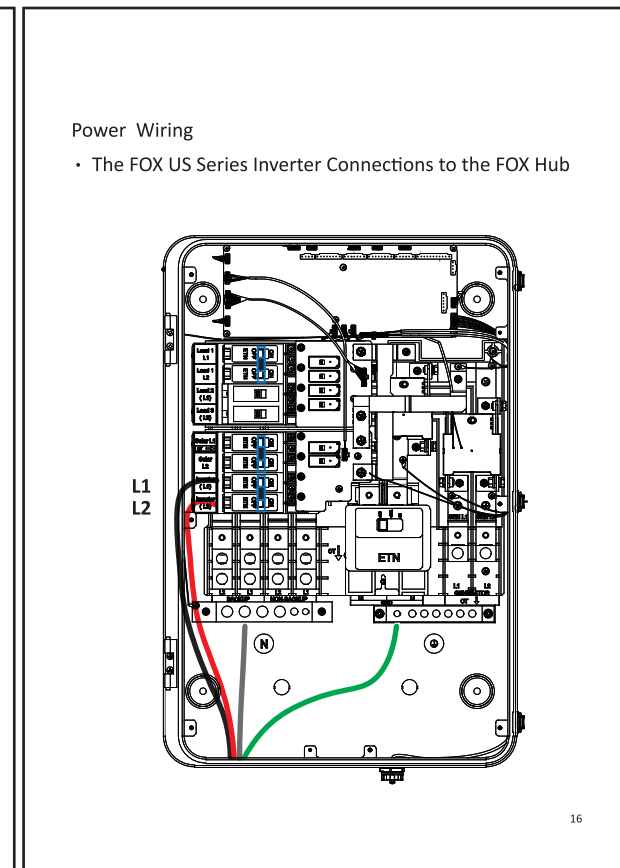
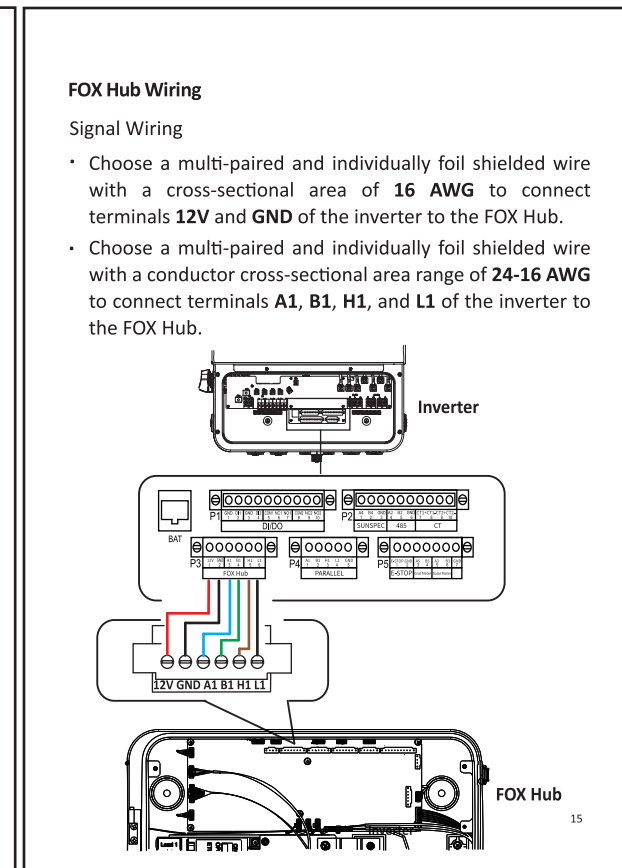
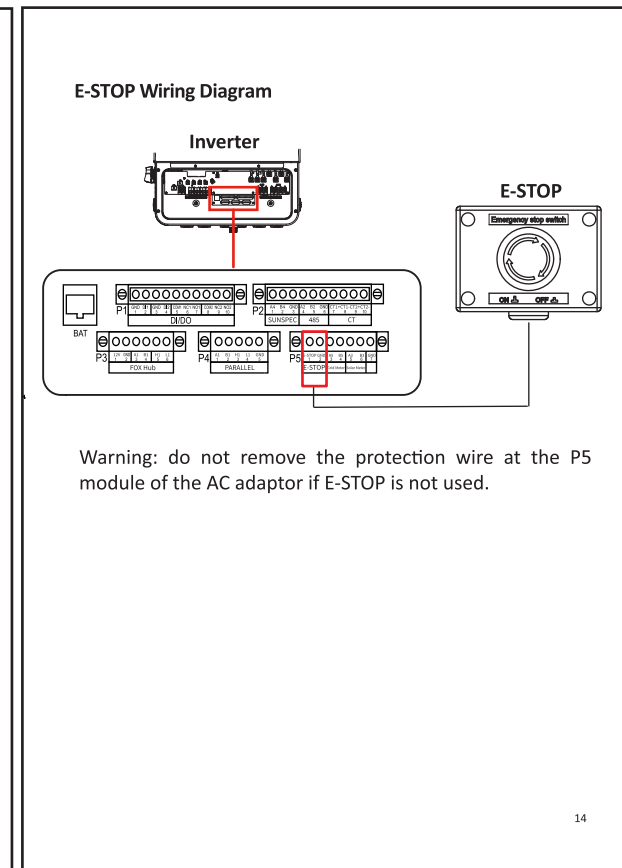
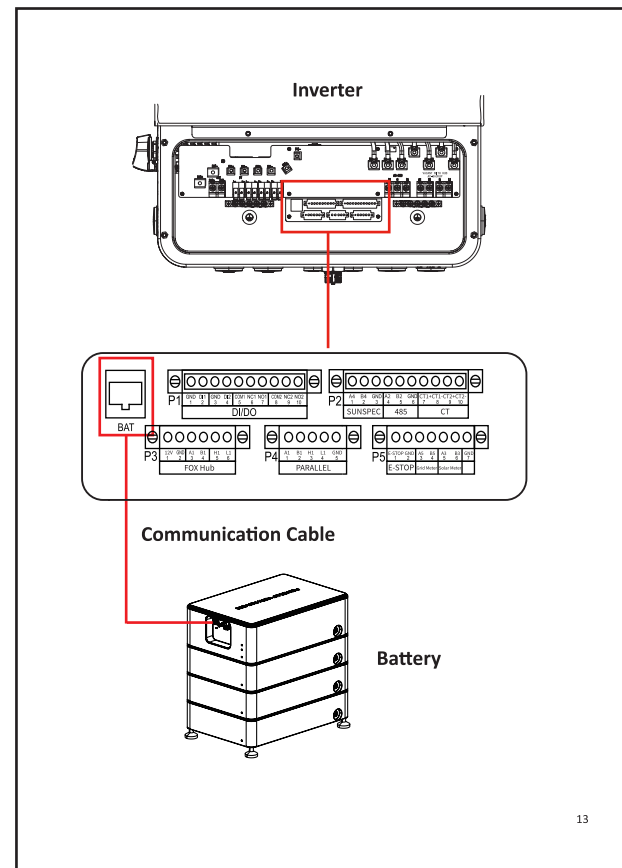
Battery Wiring

- Choose 6 AWG copper cable to connect the battery module.
- Trim 12 mm of insulation from the cable end.

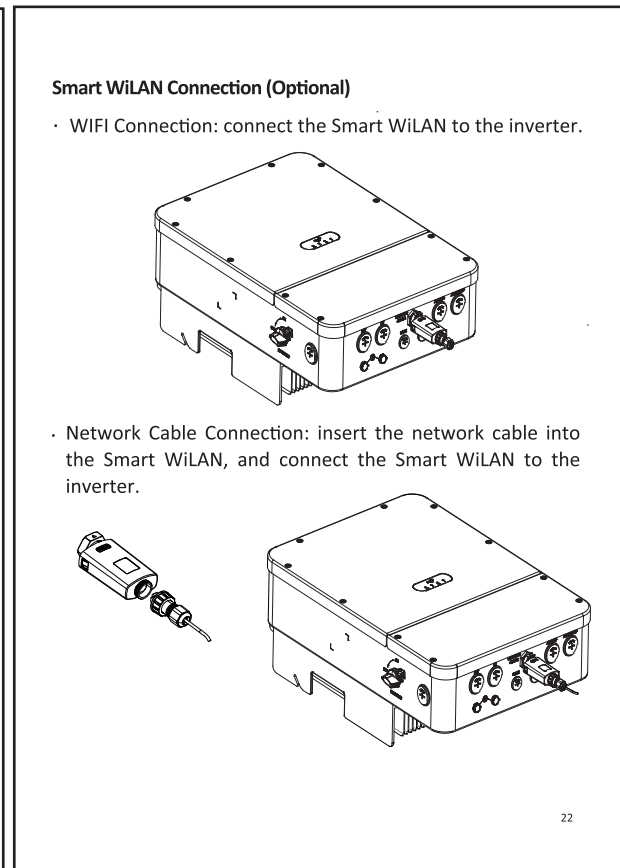
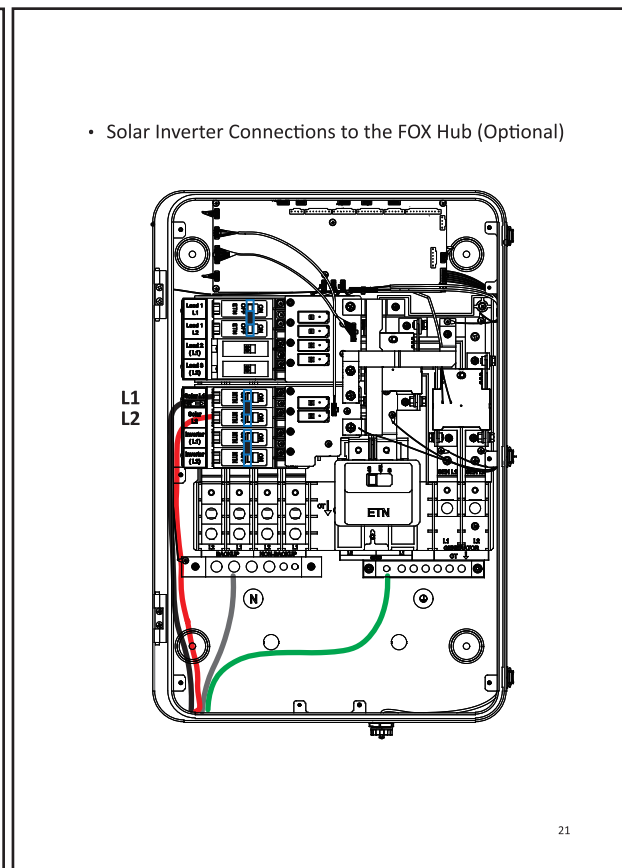
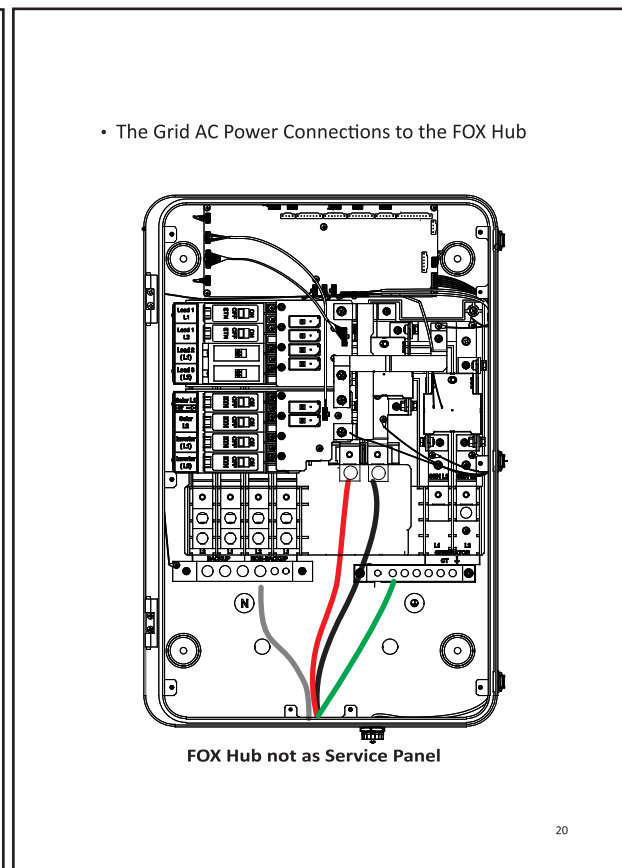
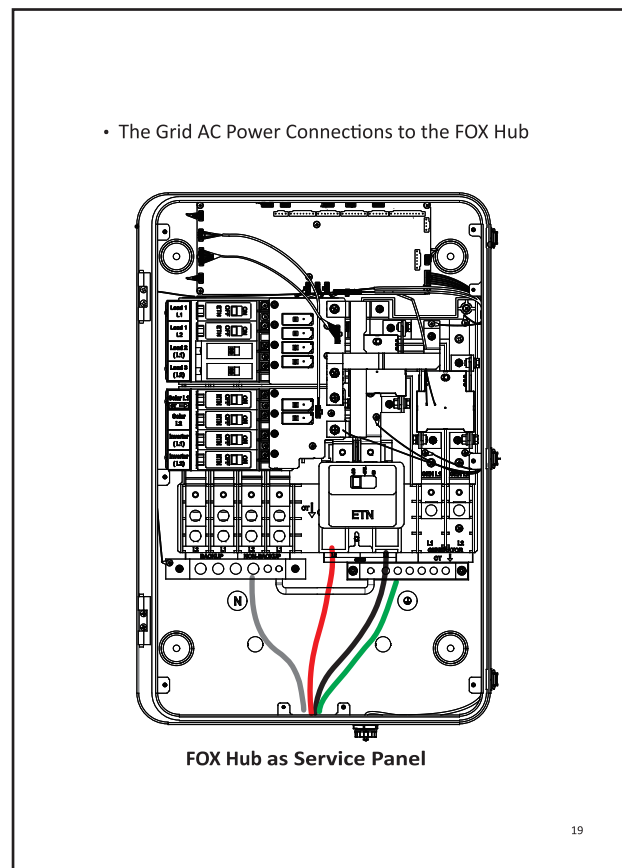


- Connect the DC connector (battery) via the above copper cable as below.





US SERIES HYBRID INVERTER QUICK INSTALLATION GUIDE



4. Inverter Switch On

Please refer to the following steps to switch on the inverter.

1. Ensure the inverter is fixed properly on the wall.
2. Ensure all cables are connected properly.
3. Ensure the meter and external off-grid contactor are connected properly (if needed).
4. Ensure the battery and E-STOP wires are connected properly.
5. Turn on the PV/DC switch, AC breaker, and off-grid breaker.

Note: · When starting the inverter for the first time, the country code will be set by default to the local settings. Check if the country code is correct.

- Set the time on the inverter using the APP.

23

5. Inverter Switch Off

Please refer to the following steps to switch off the inverter.

1. Turn off the PV/DC switch, AC breaker, and off-grid breaker.
2. Wait 5 min before you open the upper cover (in case of repair).

The user manual will be updated frequently. For the latest version, please scan the QR code for the latest version.

V1.1
10-500-20084-01
24