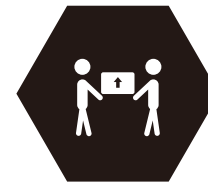




## Assemble Guide and User Manual

### RGB Gaming Desk



NUMBER OF PEOPLE  
2

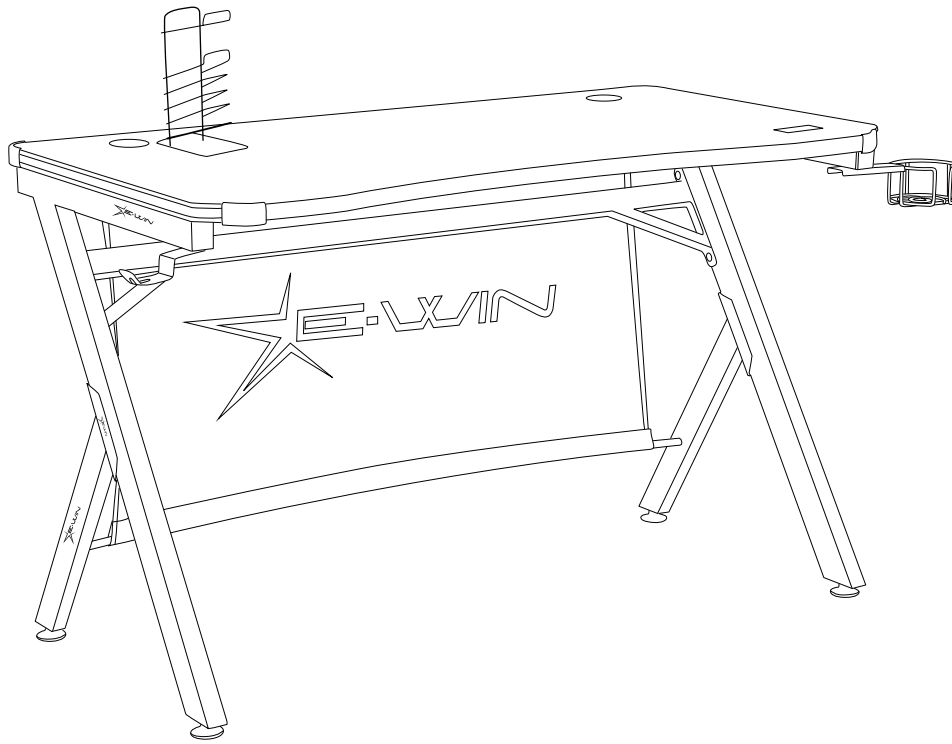


PLEASE READ FIRST  
10 MINUTES

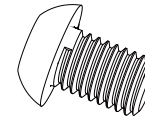


ASSEMBLY TIME  
15 MINUTES

RGB-B

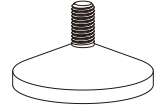


①



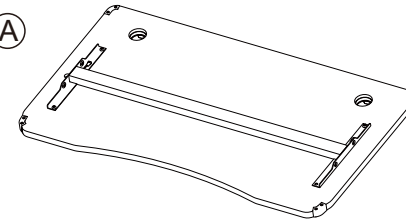
**M8screws:16mm\*8**

②



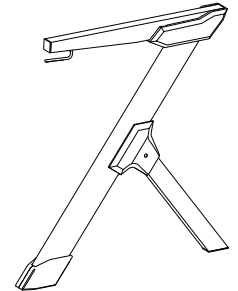
**Footpats\*4**

Ⓐ



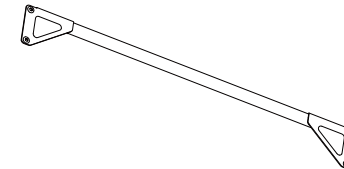
**Desktop\*1**

Ⓑ



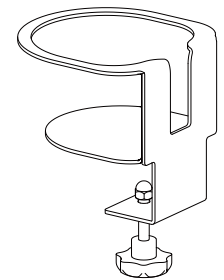
**Legs\*2**

Ⓒ



**upperrail\*1**

Ⓓ



**CupHolder\*1**

### Precautions for use

1. Using the soft fabric to clean the desk
2. Read the installation manual before using the product
3. Avoid using it in humid or fire place, and avoid direct sunlight please.
4. Do not step on the table
5. This product is suitable for work and study, entertainment, and production places.

### Installation precautions (read carefully before installation please)

1. Carefully confirm the quantity of each part before installation please.
2. To protect the floor and desktop, please install it on a soft cloth or cardboard.
3. To avoid injury during installation, wearing gloves is recommended.

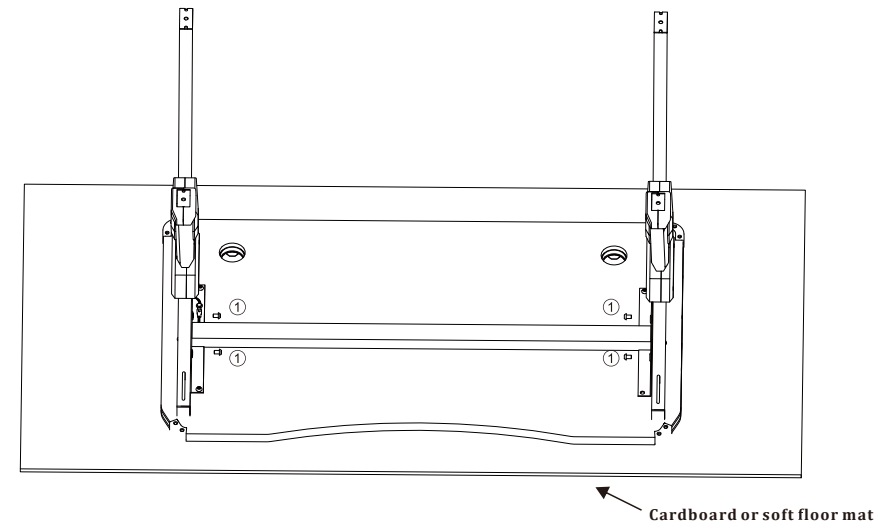
(Product damage and accidents caused by this operation are not covered by the product guarantee, operate carefully please )

Production date: December 24, 2020

Manual publication date: December 24, 2020

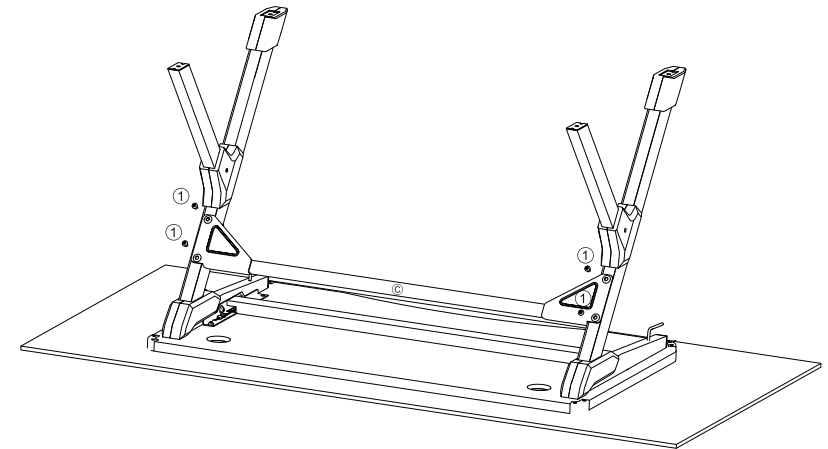
### Step 1

Use screws ① to connect the legs and the desktop



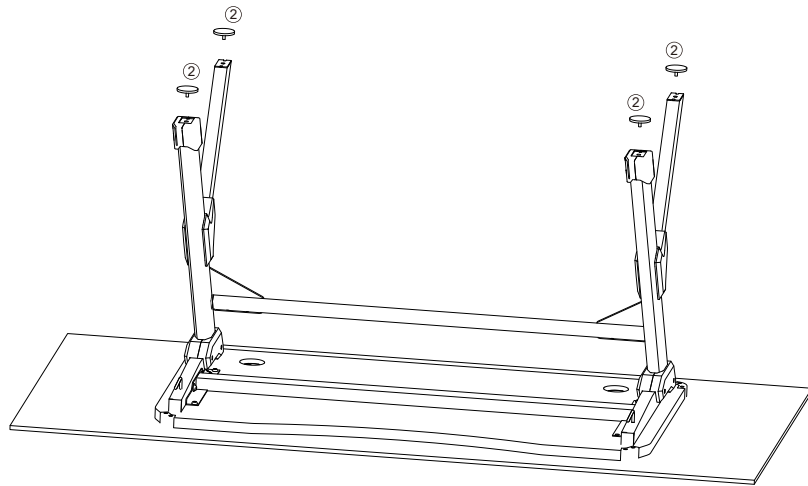
### Step 2

Use screws ① to connect the upper rail and the legs



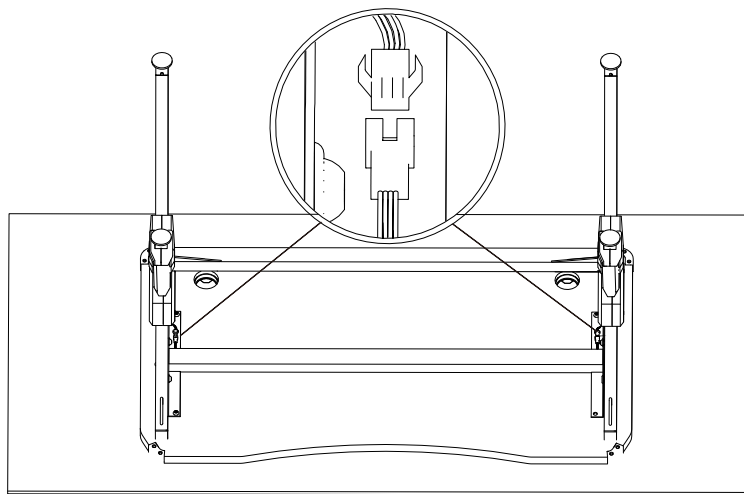
**Step 3**

**Tighten foot pad ② to connect the legs**



**Step 4**

**Connect the plugs**



**RGB-B**

