



# ROPE TUNNEL

## INSTALLATION & OPERATION MANUAL



**WARNING** – Improper assembly or use of this product and the activity of climbing has risks that can lead to injury, paralysis, and even death. Read these instructions and warnings before assembly, installation, and use!

# SAFETY INFORMATION

## READ BEFORE INSTALLATION AND USE



**FAILURE BY THE USER TO HEED ANY AND ALL INSTRUCTIONS, WARNINGS AND CAUTIONS FOR THE CORRECT INSTALLATION, OPERATION, CARE, AND MAINTENANCE OF CLIMBING PRODUCTS MAY RESULT IN SERIOUS INJURY OR DEATH.**

The grOH! Shop's climbing and gross motor play products are designed and specified for recreational use as a self-installable climbing product. Use of equipment for any purposes other than that intended by the manufacturer is not recommended.

Owners and users of any climbing/gross motor products purchased from The grOH! Shop are responsible for the safety and supervision of any person using the product and for ensuring proper installation and operation procedures are followed at all times. Proper installation requires careful planning and fastener placement for Rope Tunnels, including the supporting wall's structural elements. Owners and users are highly encouraged to have an experienced, licensed, & insured general contractor install gross motor features, including Rope Tunnels.

It is the responsibility of the installer to verify existing walls meet the minimum structural requirements listed in this document and are of sound construction without any defects. The grOH! Shop is not responsible for verifying the structure for Rope Tunnel attachment.

Installation of our products is the responsibility of the customer, who assumes any liability for damage to property or injury. While every attempt is made to embody the highest degree of protection in all equipment, we cannot, however, guarantee freedom from injury. The user assumes all risk of injury due to use. All merchandise is sold on this condition, which no representative of the company can waive or change. Equipment should be inspected periodically by user for damage and wear and tested for stability.



## **WARNING- CLIMBING IS A DANGEROUS ACTIVITY**

Climbing is inherently dangerous and may result in serious injury or death of a participant. Our Rope Tunnels are designed and specified for recreational climbing as an indoor-only self-installable climbing product which can be mounted on any appropriate support structure that meets its loading specifications including Concrete Masonry Unit (CMU), Concrete, Metal Studs, and Wood Studs. Brick is NOT an acceptable attachment structure.

Users of The grOH! Shop's Rope Tunnels are solely responsible for learning, implementing, and conveying to participants proper climbing techniques, including falling and good judgment. This includes knowing and observing the product's capabilities and limitations and ensuring the climbing area is free and clear from all obstructions including, but not limited to: furniture, protrusions, structures, or other objects, climbers, or observers. Users must be aware of all necessary precautions and dangers and must educate all participants in the proper use of the Rope Tunnel as well as all third-party equipment, such as fall attenuation padding.

# SYMBOLS EXPLAINED



## ENSURE THAT YOU READ AND UNDERSTAND ALL SAFETY PROCEDURES

The following safety symbols are used throughout this manual to highlight potential dangers. One or more precautions may be associated with practices and procedures described within this manual. Failure to adhere to any precautions highlighted can result in death, serious injury, or equipment damage.



### **DANGER**

Indicates a hazardous situation exists that, if not avoided, will result in serious injury or death.



### **WARNING**

Indicates a potentially hazardous situation that, if not avoided, could result in serious injury or death.

Please read the following statement and contact The grOH! Shop, in writing, if the intent of this document is unclear or questions arise. **YOU SHOULD NOT OPERATE THE PRODUCTS IN THIS MANUAL IF YOU DO NOT FULLY UNDERSTAND HOW TO OPERATE THEM SAFELY!**

This manual contains information on the proper assembly and use of a Rope Tunnel. Ensure that this manual is readily available to users at all times.

# OPERATING INSTRUCTIONS

Users of Rope Tunnels are solely responsible for the safety and supervision of any person installing or using the product. This includes learning, practicing, and conveying to participants proper climbing techniques, including falling. Ensure the climbing area is free and clear from all obstructions including but not limited to: furniture, protrusions, structures or other objects, and other climbers. Users must inform participants of all necessary precautions and dangers and must educate all participants in the proper use of the Rope Tunnel as well as all third-party equipment such as fall attenuation padding.

Owners and users are to adhere to the following operating requirements:

- Climbers cannot exceed 250 lbs.
- Adult supervision is required by all users under 6 years of age.
- Proper fall technique is required.
- One (1) user at a time.
- Do not walk close to or behind a climber.
- Do not jump from the Rope Tunnel.
- Do not attach any item to the Rope Tunnel.
- Do not use the equipment in a manner other than intended.



## **NEVER USE A ROPE TUNNEL AS AN ANCHOR**

Do not use any part of the net as an anchor component.



## **ALWAYS USE AN APPROPRIATE FALL ATTENUATION SURFACE DURING USE**



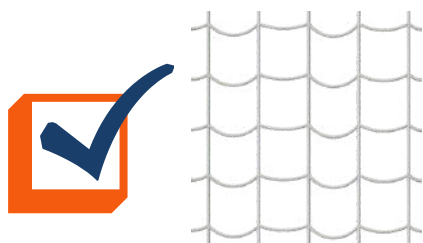
# TOOLS & MATERIALS



## TOOLS AND MATERIALS NEEDED FOR INSTALLATION (PROVIDED BY OWNER)

- Pencil
- Stud Finder
- Tape Measure
- Drill & Drill Bits
- Mounting Material-Safe Screws and Washers
- Step Ladder
- Level
- 2" x 6" Lumber OR 3/4" Highly Rated Plywood *(for blocking, recommended)*

## TOOLS AND MATERIALS NEEDED FOR INSTALLATION (PROVIDED BY GROH!)



Rope Tunnel Net



Bedding Net



Flushmount Anchors  
**(No screws)**

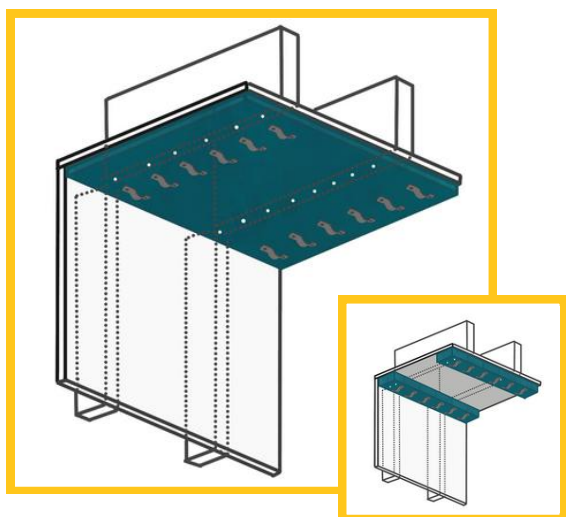
# INSTALL PREP



**BEFORE INSTALLATION CAN BEGIN, THE INSTALL LOCATION MUST BE PROFESSIONALLY INSPECTED AND PREPARED WITH BLOCKING AS OUTLINED BELOW. CHOOSE EITHER LUMBER OR PLYWOOD THAT BEST SUPPORTS YOUR STRUCTURAL SITUATION AND DESIRED AESTHETIC.**

## EXTERNAL BLOCKING

CAN BE 2X6 LUMBER OR HIGHLY RATED 3/4" PLYWOOD



External blocking is the easiest and safest option to make sure the rope tunnel has ample support and an accessible mounting surface for the length of the tunnel. You must ensure these external studs (or plywood) are correctly mounted to the joists behind your ceiling before continuing with this option. Lumber can be used ONLY if the rope tunnel will run perpendicular to the joists. The lumber will not be sufficiently secured if installed in the same direction as the joists.

Note: Plywood Blocking is preferred as it gives you more flexibility for Rope Tunnel placement



**BLOCKING REQUIRED**  
**MOUNTS ARE REQUIRED TO ATTACH TO BLOCKING THAT IS SECURELY INSTALLED TO THE CEILING JOISTS**



**EXTERNAL STUDS BLOCKING**

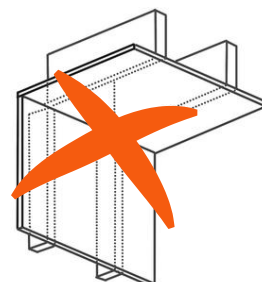


**EXTERNAL PLYWOOD BLOCKING**



**JOISTS ALONE ARE NOT ENOUGH STRUCTURAL SUPPORT TO MOUNT YOUR ROPE TUNNEL**

Most ceiling joists are 2-by's, meaning they are actually 1.5" wide, and spaced either 16" or 24" apart. This DOES NOT provide enough structural support to mount your rope tunnel.



# INSTALL PREP

## ROPE TUNNEL INSTALLATION CONCEPTS & TIPS



**EVERY SPACE IS DIFFERENT. CONSULT WITH A GC.  
THE INFORMATION BELOW IS RECOMMENDATION ONLY**



### BLOCKING REQUIRED

**MOUNTS ARE REQUIRED TO ATTACH TO BLOCKING THAT IS SECURELY INSTALLED TO THE CEILING JOISTS**

The distance between the mounts from side to side is up to your preference and the needs of your space. We recommend a distance of **3' to 3'6"** from the center of the mounts.

**ABSOLUTELY DO NOT EXCEED 3'11" BETWEEN MOUNTS**

The distance you choose will affect the drop of the tunnel slightly. The closer the mounts, the longer the drop and vice versa. However, you will have approximately a 3' drop utilizing any measurement between 3' to 3'6".

Note: Plywood Blocking gives you more flexibility for Rope Tunnel placement. A 4' piece of highly rated plywood is our preferred width, the length can be based on the length of your rope tunnel.



The distance between the mounts is largely determined by the rope tunnel itself, but will be between **8" and 9"**. The large net is made with standard 9" squares, so the loops are approximately 9" apart. Every net is hand-made, so there is a slight variation between tunnels.

Plan your mount locations once you have your net in your space.

As you install the mounts, be sure to use a level to maintain straight lines, and a tape measure or guide to maintain the same distance in between mounts.

# INSTALLATION

## ROPE TUNNEL INSTALLATION INSTRUCTIONS



**EVERY SPACE IS DIFFERENT. CONSULT WITH A GC.  
THE INFORMATION BELOW IS RECOMMENDATION ONLY**



### **BLOCKING REQUIRED**

**MOUNTS ARE REQUIRED TO ATTACH TO BLOCKING THAT IS  
SECURELY INSTALLED TO THE CEILING JOISTS**

### **INSTRUCTIONS FOR INSTALLING ROPE TUNNEL**

#### **STEP 1: INSTALL EXTERNAL BLOCKING**

- Determine the area on your ceiling where you want to install your Rope Tunnel.
- Using a stud finder, locate and mark all joists in the designated area. Ensure to mark the center of each joist.
- Using either 2"x6" lumber or 3/4" highly rated plywood from your local hardware store, size the blocking to the dimensions of your Rope Tunnel. Generously secure the blocking into the ceiling joists with the appropriate fasteners for your joist type.
- Finish the blocking to your preference, we recommend sanding and then painting the same color as your ceiling.
  - We highly recommend prepping your blocking for your desired finish before installing to the ceiling, but definitely before installing your Rope Tunnel.
  - Consider using a paintable caulk around the edges of the blocking, then paint your ceiling color for a truly seamless look.

#### **STEP 2: PLAN FLUSHMOUNT SPACING**

- Mark the appropriate location for the mounting hardware's holes and drill pilot holes for your fasteners.
  - Use a level and a guide or tape measure continuously to ensure the mounts are level and evenly spaced.

#### **STEP 3: INSTALL MOUNTS AND TUNNEL**

- Using the provided flushmount anchors and the correct fasteners for your blocking type, have a friend assist you in holding up the tunnel and begin to secure the mounts into the blocking.
  - Most often, a lag bolt and washer can be utilized, but be sure to consult a local professional when selecting your fasteners.
  - Install one side of the rope tunnel at a time.



# FAQ

## FREQUENTLY ASKED QUESTIONS

### DIY INSTALLATION

#### DO I NEED A CONTRACTOR TO INSTALL THE ROPE TUNNEL?

The grOH! Shop recommends only DIY-friendly products anyone can successfully install. However, we highly recommend that an experienced, licensed, and insured contractor install your gross motor features. Whoever installs this product should follow directions laid out in this guide.

#### WHAT TOOLS DO I NEED TO INSTALL? WHAT DOES MY CEILING NEED TO BE MADE OF? DO I NEED TO BUY SCREWS?

A drill, level, and stud finder are required for install. You will need to buy screws that are compatible with your structural materials. ROPE TUNNELS ARE NOT APPROVED FOR OUTDOOR USE. DO NOT install to brick or rock veneer.

### FLOORING

#### DO I NEED PADS ON THE FLOOR?

We always recommend floor protection. Check out our [FLOORING OPTIONS](#).

#### IS THERE A FALL SPACE REQUIREMENT FOR THE ROPE TUNNEL?

The grOH! Shop recommends a 6' (six foot) minimum perimeter around all active play features for maximum falling or dismounting clearance.

#### WHAT MATS SHOULD I GET?

For walls less than 10' tall, crash mats are sufficient. Safety mats are sold separately and available in The grOH! Shop for purchase!

### MAINTENANCE

#### DO I NEED TO DO ANYTHING TO TAKE CARE OF THE ROPE TUNNEL?

Our Rope Tunnels are very low maintenance, pretty much zero. Any dirt can be wiped off with a damp cloth. You'll want to periodically make sure all mounting hardware is secure.

# ELEVATE YOUR KIDDO'S PLAY (LITERALLY!)

Your rope tunnel will revolutionize your kiddos' playtime! Gross motor play is vital to proper development!



# INTERESTED IN A GROH! MURAL?

Enjoy a signature grOH! mural on your walls, ceiling, climbing panels, or anywhere you like! Check out all of our murals at [shopgrohplayrooms.com](http://shopgrohplayrooms.com)!



# SHARE PHOTOS WITH US!

Please share photos! We love to see how your space has transformed!

*Don't worry, we won't share photos without your written consent!*



## CONTACT US

[shop@grohplayrooms.com](mailto:shop@grohplayrooms.com)

## FIND MORE RESOURCES AT

[www.shopgrohplayrooms.com](http://www.shopgrohplayrooms.com)