



MONKEY BARS

INSTALLATION, OPERATION,
& MAINTENANCE MANUAL



WARNING – Improper assembly or use of this product and the activity of climbing has risks that can lead to injury, paralysis, and even death. Read these instructions and warnings before installation and use!

CONTACT US
shop@grohplayrooms.com

FIND MORE RESOURCES AT
shopgrohplayrooms.com

SAFETY INFORMATION



READ BEFORE INSTALLATION AND USE



FAILURE BY THE USER TO HEED ANY AND ALL INSTRUCTIONS, WARNINGS AND CAUTIONS FOR THE CORRECT INSTALLATION, OPERATION, CARE, AND MAINTENANCE OF CLIMBING PRODUCTS MAY RESULT IN SERIOUS INJURY OR DEATH.

The grOH! Shop's climbing and gross motor play products are designed and specified for recreational use as a self-installable climbing product. Use of equipment for any purposes other than that intended by the manufacturer is not recommended. Monkey Bars must never be installed onto any surface other than those specified within this manual.

Owners and users of any climbing/gross motor products purchased from The grOH! Shop are responsible for the safety and supervision of any person using the product and for ensuring proper installation and operation procedures are followed at all times. Proper installation requires careful planning and fastener placement for Monkey Bars, including the supporting wall's structural elements. Owners and users are highly encouraged to have an experienced, licensed, & insured general contractor install gross motor features, including Monkey Bars.

It is the responsibility of the installer to verify existing walls meet the minimum structural requirements listed in this document and are of sound construction without any defects. The grOH! Shop is not responsible for verifying the structure for Monkey Bar attachment.

Installation of our products is the responsibility of the customer, who assumes any liability for damage to property or injury. While every attempt is made to embody the highest degree of protection in all equipment, we cannot, however, guarantee freedom from injury. The user assumes all risk of injury due to use. All merchandise is sold on this condition, which no representative of the company can waive or change. Equipment should be inspected periodically by user for damage and wear and tested for stability.



WARNING- CLIMBING IS A DANGEROUS ACTIVITY

Climbing is inherently dangerous and may result in serious injury or death of a participant. Our Monkey Bars are designed and specified for recreational climbing as an indoor-only self-installable climbing product which can be mounted on any appropriate support structure that meets its loading specifications including Concrete Masonry Unit (CMU), Concrete, Metal Studs, and Wood Studs. Brick is NOT an acceptable attachment structure.

Users of The grOH! Shop's Monkey Bars are solely responsible for learning, implementing, and conveying to participants proper climbing techniques, including falling and good judgment. This includes knowing and observing the product's capabilities and limitations and ensuring the climbing area is free and clear from all obstructions including, but not limited to: furniture, protrusions, structures, or other objects, climbers, or observers. Users must be aware of all necessary precautions and dangers and must educate all participants in the proper use of Monkey Bars as well as all third-party equipment such as fall attenuation padding.

SYMBOLS EXPLAINED



ENSURE THAT YOU READ AND UNDERSTAND ALL SAFETY PROCEDURES

The following safety symbols are used throughout this manual to highlight potential dangers. One or more precautions may be associated with practices and procedures described within this manual. Failure to adhere to any precautions highlighted can result in death, serious injury, or equipment damage.



DANGER

Indicates a hazardous situation exists that, if not avoided, will result in serious injury or death.



WARNING

Indicates a potentially hazardous situation that, if not avoided, could result in serious injury or death.



CAUTION

Indicates a potentially hazardous situation that, if not avoided, may result in injury or equipment damage.

Please read the following statement and contact The grOH! Shop, in writing, if the intent of this document is unclear or questions arise. **YOU SHOULD NOT OPERATE THE PRODUCTS IN THIS MANUAL IF YOU DO NOT FULLY UNDERSTAND HOW TO OPERATE THEM SAFELY!**

This Manual contains information on the proper assembly, maintenance, and use of Monkey Bars and includes all product warranty information. Ensure that this manual is readily available to users at all times.

OPERATING INSTRUCTIONS

Users of Monkey Bars are solely responsible for the safety and supervision of any person installing or using the product. This includes learning, practicing, and conveying to participants proper climbing techniques including falling. Ensure the climbing area is free and clear from all obstructions including but not limited to: furniture, protrusions, structures or other objects, and other climbers. Users must inform participants of all necessary precautions and dangers and must educate all participants in the proper use of the Monkey Bars as well as all third-party equipment such as fall attenuation padding.

Owners and users are to adhere to the following operating requirements:

- Climbers cannot exceed 250 lbs.
- Adult supervision is required by all users under 6 years of age.
- Proper fall technique is required.
- One (1) user at a time.
- Do not walk close to or behind a climber.
- Do not jump from the Monkey Bars.
- Do not attach any item to the Monkey Bars.
- Do not use the equipment in a manner other than intended.



NEVER USE MONKEY BARS AS AN ANCHOR

Do not use any part of the Monkey Bar as an anchor component.



ALWAYS USE APPROPRIATE FALL ATTENUATION SURFACE DURING USE

TOOLS & MATERIALS



TOOLS AND MATERIALS NEEDED FOR INSTALLATION (PROVIDED BY OWNER)

- Pencil
- Stud Finder
- Tape Measure
- Drill
- 3/16" Diameter Drill Bit
- Socket Wrench
- 1/2" Socket
- Step Ladder
- 18"- 24" Level

TOOLS AND MATERIALS NEEDED FOR INSTALLATION (PROVIDED BY GROH!)



Monkey Bar (x1)



1/4" Lag Screw (x4)



Washer (x4)

BEFORE INSTALL

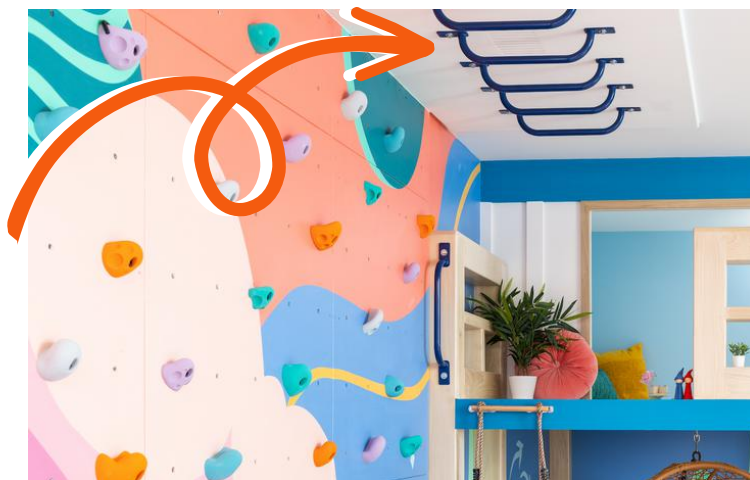
UNDERSTANDING MONKEY BAR PLACEMENT



MONKEY BARS
NEED TO
BE INSTALLED **12"**
APART IN EVERY
DIRECTION. THIS
INCLUDES
CURVES.



MONKEY BARS NEED
TO BE INSTALLED
12" TO 14"
FROM WHERE THE
WALL AND CEILING
MEET, IN ANY
DIRECTION.



INSTALL: STEP 1



BEFORE INSTALLATION CAN BEGIN,
THE INSTALL LOCATION MUST BE PROFESSIONALLY INSPECTED AND PREPARED WITH STRUCTURAL SUPPORT AS OUTLINED IN THE OPTIONS BELOW. CHOOSE THE OPTION THAT BEST REPRESENTS YOUR STRUCTURAL SITUATION AND DESIRED AESTHETIC.

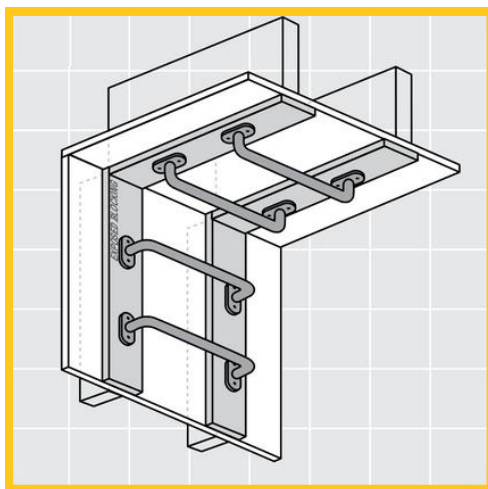


CENTER OF STUD / JOIST REQUIRED
MONKEY BARS ARE REQUIRED TO ATTACH TO TWO STUDS WITH SPECIFIED STRUCTURAL SCREWS INTO THE CENTER OF EACH STUD.



EXTERNAL STUDS OR BLOCKING

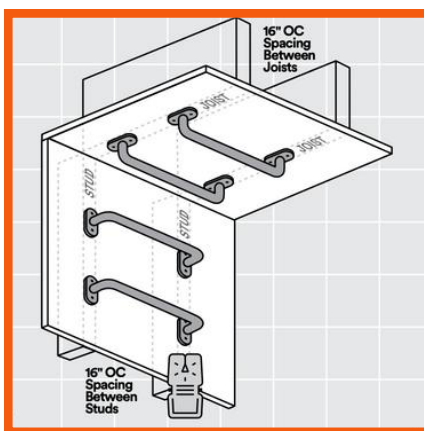
CAN BE LUMBER (2X4, 2X6, ETC.) OR HIGHLY RATED 3/4" PLYWOOD



If hidden structural elements cannot be confidently used, this is an easy option to make sure the monkey bars have ample support and an accessible mounting surface for the entire line of monkey bars. You must ensure these external studs (or plywood) are correctly mounted to the studs or joists behind your wall or ceiling before continuing with this option.

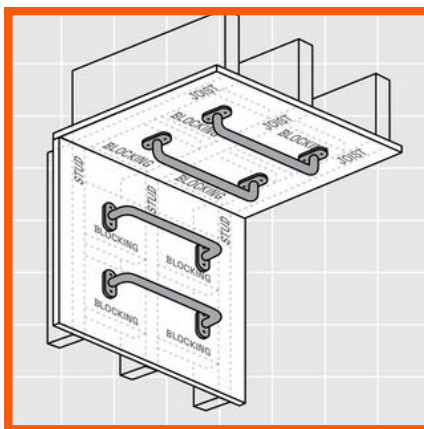
Note: Plywood Blocking gives you more flexibility for Monkey Bar placement

HIDDEN WALL STUDS AND CEILING JOISTS WITH 16" OC (ON CENTER) SPACING



The use of an electronic stud finder is recommended to find studs or joists that align with the mounting holes of the handle. If any of the holes are not in alignment with studs or joists, install external blocking (recommended) or hidden blocking in your desired location.

HIDDEN WALL OR CEILING BLOCKING



The use of an electronic stud finder is recommended to find blocking that aligns with the mounting holes of the handle. Install additional blocking as needed to ensure all monkey bars are completely backed by blocking.

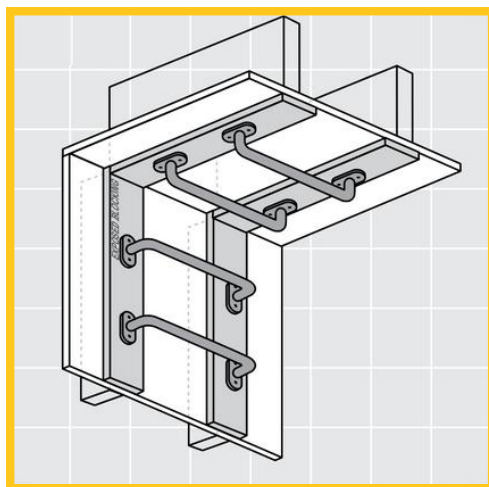
INSTALL: STEP 1 CONTINUED

NOTES ON EXTERNAL BLOCKING



EXTERNAL STUDS OR BLOCKING

CAN BE LUMBER (2X4, 2X6, ETC.) OR HIGHLY RATED 3/4" PLYWOOD

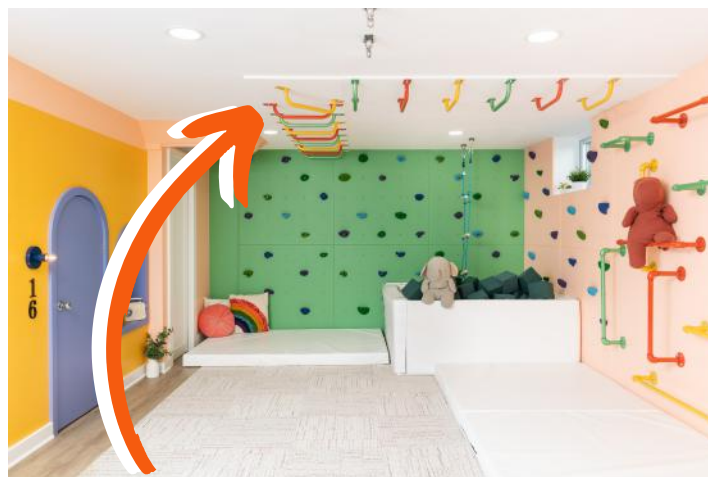


If hidden structural elements cannot be confidently used, this is an easy option to make sure the monkey bars have ample support and an accessible mounting surface for the entire line of monkey bars. You must ensure these external studs (or plywood) are correctly mounted to the studs or joists behind your wall or ceiling before continuing with this option.

Note: Plywood Blocking gives you more flexibility for Monkey Bar placement



EXTERNAL STUDS BLOCKING



EXTERNAL PLYWOOD BLOCKING



EXTERNAL STUDS & PLYWOOD BLOCKING COMBO

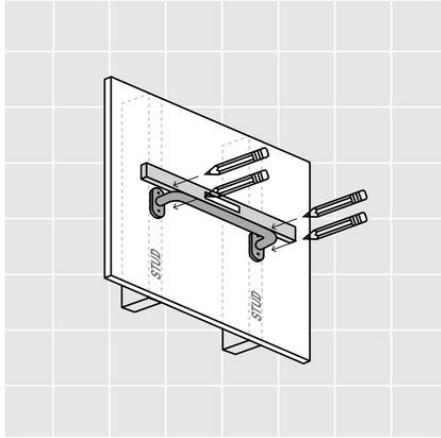
CONSULT WITH A LICENSED AND INSURED GENERAL CONTRACTOR BEFORE INSTALLATION TO DISCOVER THE BEST SUPPORT OPTION(S) FOR YOUR SPACE

INSTALL: STEPS 2-5



SECURING MONKEY BARS

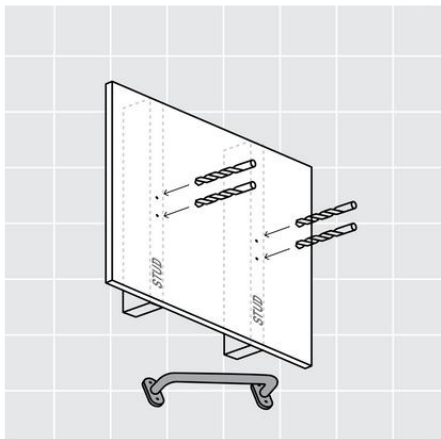
STEP 2



Once the structural support described in Step 1 has been established, hold the handle in desired location and mark the center of each mounting hole location with a pencil. A bubble level can be used during this step to ensure straightness.

See Note about Understanding Monkey Bar Placement on Page 6

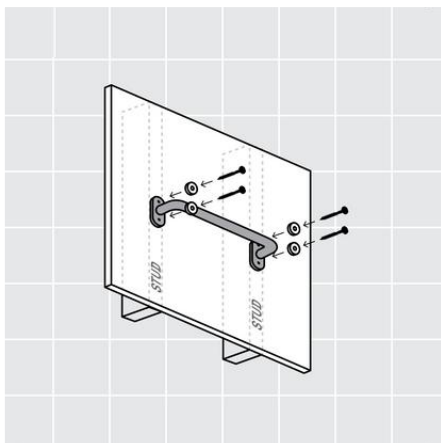
STEP 3



Use a 3/16" drill bit to create a pilot hole at least 1½" deep in the center of the mounting location before installing lag screws.

Failure to properly drill pilot holes may split the stud or blocking, resulting in major structural rework to your wall and monkey bar project.

STEP 4



Using a socket wrench with a ½" socket, install a washer and lag screw through each mounting hole. Do not fully tighten until each lag screw is in place. Once lag screws are installed, fully tighten each, checking for solid engagement between the lag screw and the blocking or stud/joist.

STEP 5

Inspect your install; be sure each fastener is securely installed, and check for level. Repeat all installation steps for additional handles. **It's worth mentioning again: safety is priority one. Read all warnings and double check your work before allowing anyone to begin climbing.**

MAINTENANCE INSTRUCTIONS

CARING FOR YOUR MONKEY BARS

Monkey Bars and hardware must be inspected and maintained every 30 days for proper attachment. Owners or users with installations that receive heavy use may need to perform inspections more frequently.

Every 30 days:

- Clean any dust, dirt, or contamination off of the Monkey Bars and fasteners with a clean damp cloth.
- Visually inspect for separation between the Monkey Bars and the wall/ceiling.



DO NOT USE SOLVENTS OR ABRASIVES
Clean with a cloth only. Do not use any cleaners, solvents, or abrasives on any part of the Monkey Bar or associated equipment.

FAQ

FREQUENTLY ASKED QUESTIONS

DIY INSTALLATION

DO I NEED A CONTRACTOR TO INSTALL THESE?

The grOH! Shop recommends only DIY-friendly products anyone can successfully install. We recommend that an experienced, licensed, and insured contractor install your gross motor features. Whoever installs this product should explicitly follow directions laid out in this document.

WHAT IF I HAVE A DROP CEILING?

You will need to consult with a general contractor in order to create a structurally sound, external surface to install your monkey bars.

WHAT IS THE MAX CEILING HEIGHT FOR MONKEY BARS?

We do not recommend installing monkey bars on ceiling heights above 9'.

WHAT TOOLS DO I NEED TO INSTALL? WHAT DOES MY WALL NEED TO BE MADE OF? DO I NEED TO BUY SCREWS?

A drill, socket wrench, and stud finder are required for install. Monkey Bars can be installed on CMU, Concrete, or studs. Wood screws are included, but you may need to buy screws depending on the type of wall or ceiling you are mounting to. You CANNOT install to brick or rock veneer.

FLOORING

DO I NEED PADS ON THE FLOOR?

We always recommend floor protection. Check out our [FLOORING OPTIONS](#).

IS THERE A FALL SPACE REQUIREMENT?

The grOH! Shop recommends a 6' (six foot) minimum perimeter around gross motor play products for maximum falling or dismounting clearance.

WHAT SHOULD I GET?

For ceiling heights less than 9' crash mats are sufficient. Safety mats are sold separately and available in The grOH! Shop for purchase!

ELEVATE YOUR KIDDO'S PLAY (LITERALLY!)

Your Monkey Bars will revolutionize your kiddos' playtime! Gross motor play is vital to proper development!



INTERESTED IN A GROH! MURAL?

Enjoy a signature grOH! mural on your walls, ceiling, climbing panels, or anywhere you like! Check out all of our murals at shopgrohplayrooms.com!



SHARE PHOTOS WITH US!

Please share photos! We love to see how your space has transformed!

Don't worry, we won't share photos without your written consent!



CONTACT US

shop@grohplayrooms.com

FIND MORE RESOURCES AT

www.shopgrohplayrooms.com