

INSTALLATION GUIDE



**Open Sesame Door Systems, Inc.
Manufacturer of Disability Access products
1.800.673.6911**

**PLEASE KEEP THIS GUIDE
FOR FUTURE INSTALLATIONS**

Thank you for your purchase of the Open Sesame Automatic Door System. This product is designed to be durable and provide years of reliable service.

To ensure the Open Sesame Door System lives up to all expectations, it is important to read and comply with this installation guide.

If there are further questions about the operation or performance of the door system, contact us at (800) 673-6911. Our business hours are 9am - 5pm pacific standard time.

WARNING!

It is important to read and follow the instructions provided in this Installation Guide. This will equip you with all the necessary information and allow for correct installation and proper use.

TABLE OF CONTENTS

Recommended tools for installation.....	2
What you will find in the box.....	3
Selecting Mounting Format/Left Hand Conversion.....	4
Electric Strike/M233 Clutch Adjustment.....	5
Door Mount Instructions (Option A).....	6-7
Lintel Mount Instructions (Option B).....	8
Parallel Mount Diagram (Option C).....	9
Residential Installation Wiring Diagram.....	10
French Door-One Operator Diagram.....	11
French Door -Two Operators-Two Strikes Diagram.....	12
Functionality Adjustments.....	13
Opening Angle, Delay Time, Obstruction Sensing.....	13
Model 233 Clutch Adjustment.....	14
Programming Instructions for Remote Controls	
Erasing all transmitter codes.....	16
Troubleshooting.....	17-18
Model 133 Diagram.....	19
Model 233 Diagram.....	20

RECOMMENDED TOOLS FOR INSTALLATION

1. Ladder or Step stool
2. Tape measure
3. Voltmeter (for troubleshooting)
4. Phillips #2 Screwdriver
5. 5/32" or 4mm Allen wrench
6. Wire Cutters
7. Wire Strippers
8. Oscillating Multi Tool
(recommended for Strike Installation)
9. Loctite (for arm screw if removed)
10. Drill/Driver with #2 & #3 Phillips Bits

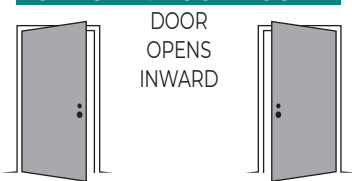
WHAT YOU WILL FIND IN THE BOX:

1. Door operator with wiring kit and wall transformer
2. Remote Control(s) – if required
3. Electric Strike(s) & Strike Tester – if required
 - For Electric Strike Installation, refer to separate instructions included with the strike
4. Screw pack
 - a) 2 Phillips self tapping screws 1 ¼", for mounting arm to metal
 - b) 2 Phillips #10 – 2" serrated screws for mounting arm to wooden frame or door
 - c) 4 Phillips #8 – 1 ½" serrated screws for attaching mounting plate to door or frame
 - d) Hold-down screws for laying out transformer and strike wiring cables
 - e) Allen wrench 5/32" or 4mm for tightening the arm
 - f) Model 233 Clutch Adjustment Tool
5. Owners Manual
 - Leave with Owner with your contact info

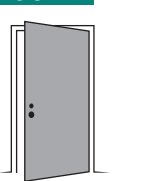
SELECTING THE CORRECT MOUNTING FORMAT

ALL DOORS DISPLAYED ARE VIEWED FROM THE INSIDE

OPTION A: DOOR MOUNT

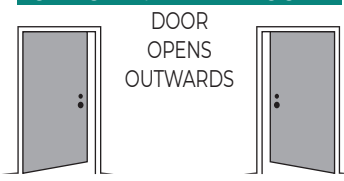


LEFT SIDE HINGES

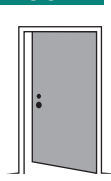


RIGHT SIDE HINGES

OPTION B: LINTEL MOUNT

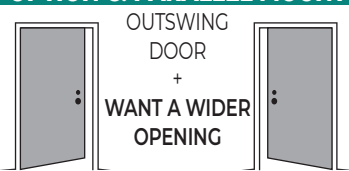


LEFT SIDE HINGES



RIGHT SIDE HINGES

OPTION C: PARALLEL MOUNT



LEFT SIDE HINGES

RIGHT SIDE HINGES

SAFETY NOTE:
Secure door before starting process to ensure no one tries to open the door during installation.

LEFT HAND DOOR CONVERSION

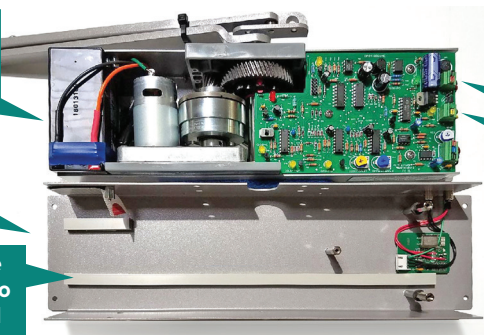
Remove color coded wires from color push-down terminals and remove wire cord. Locate the gray transfer tube at lower left corner behind the battery, pinch together colored wires and feed through tube. Reconnect wires as before to color coded terminals. Locate direction slide switch and slide towards hinges.

*Unless specified at the time of ordering, the operator is provided in the setup for Right Hinges. If you have hinges on the Left, you will need to change the direction of the wires.

Inside view with all components

Inside view of empty case

Tube where wires need to be rerouted through



Wires need to be disconnected from terminal before rerouting (Red/Black & Green/Yellow)

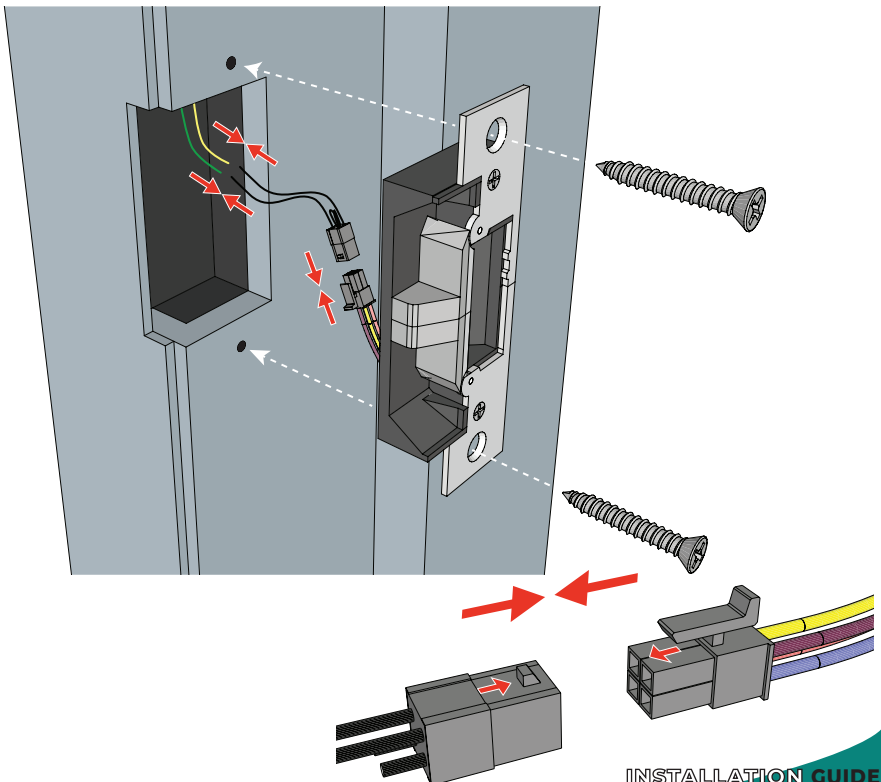
ELECTRIC STRIKE (ADAMS RITE ONLY)

If an electric strike is used, follow the instructions included in the packaging from the electric strike manufacturer to assemble the strike and install it in the door jamb.

STRIKE SETTING

Adam Rite 7440 Electric Strikes are provided in the “fail secure” mode which is required.

Connect the green wire to one black strike wire (either one), and the yellow wire to the other black wire.



DOOR MOUNT INSTALLATION

INSTRUCTIONS FOR INWARD OPENING DOOR

****Remove Cover from Operator before beginning installation****

FOR MODEL 133 OPERATORS:

Mount operator at **3"** away from the hinges and mount the arm at **13"** from hinges (unless it is used for commercial installation).

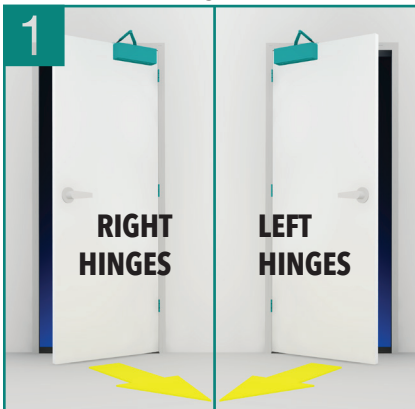
FOR MODEL 233 OPERATORS:

Mount operator at **4"** away from the hinges and mount the arm at **13"** from hinges.

FOR ELECTRIC STRIKE INSTALLATIONS:

Refer to separate instructions included with the strike

NOTE: Images are based on Residential Installation (Model 133)



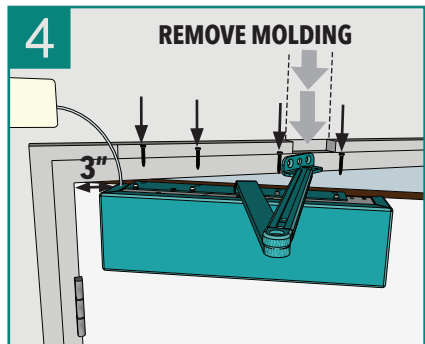
Operator will need to be on the top corner closest to the hinges.



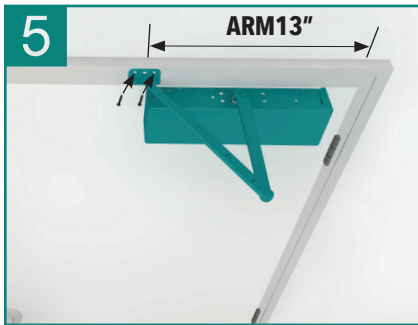
Before beginning, secure door so it does not move during installation and set up your ladder/stool.



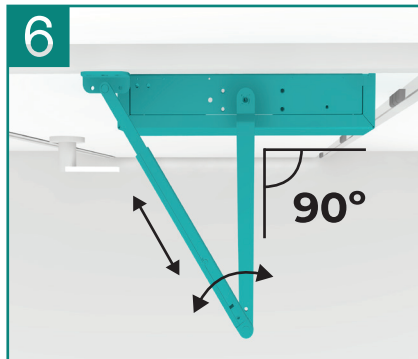
On the door measure 3" away from the hinges for Model 133 and 4" for Model 233, then create a mark. This is where the operator will need to be positioned. On the door jamb, measure 13" and create a mark, this is where the middle of your arm will need to be positioned. The bracket will need to be as flush as possible with the wall. Do not mount this bracket at an angle.



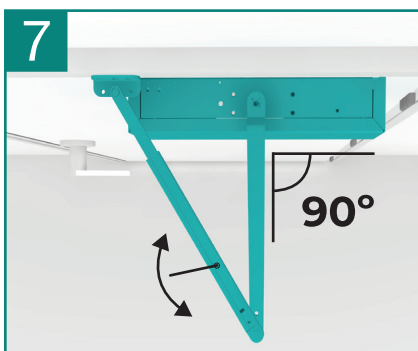
Once you have the measurements down, position the operator and screw into position. Remove molding for flush mounting against the wall.



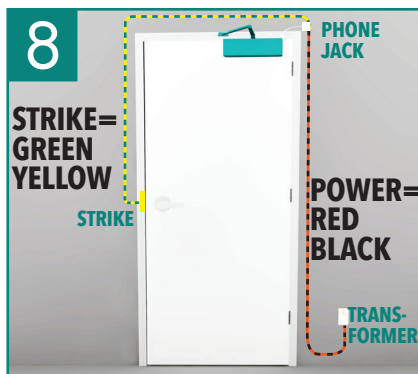
Line up the arm with marking you did on the door jamb so that the middle of the shoe is position where the mark is, then screw into place. Do NOT mount arm shoe too high above operator because it will cause binding of joints leading to screws falling off.



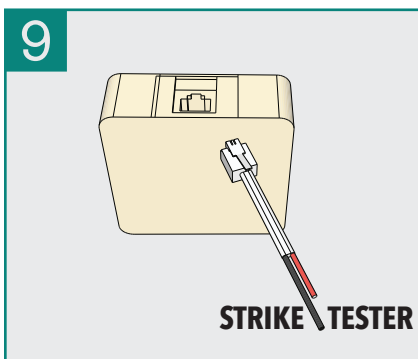
With the door closed, adjust the arm to 90 degrees.



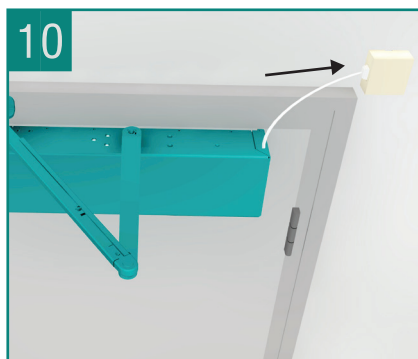
After setting up the correct adjustment tighten the arm with the supplied 4mm allen wrench.



Strike Connection: Connect Green and Yellow wires from phone jack to strike.
Power Connection: Red & Black cables need to run from phone jack to transformer. Transformer is then plugged in to 120VAC wall outlet.



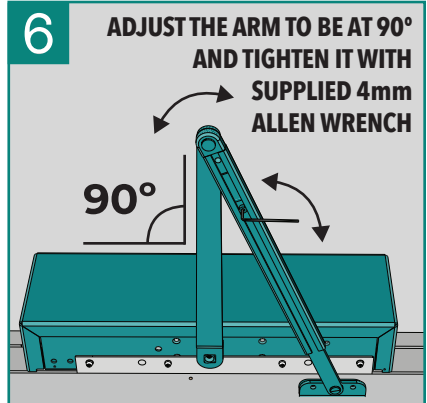
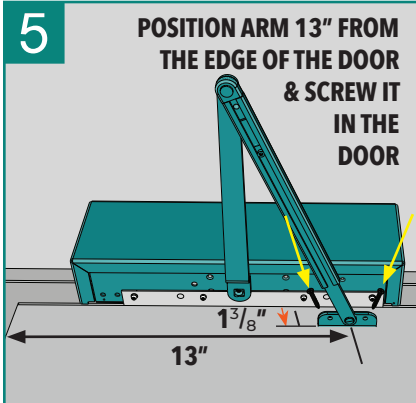
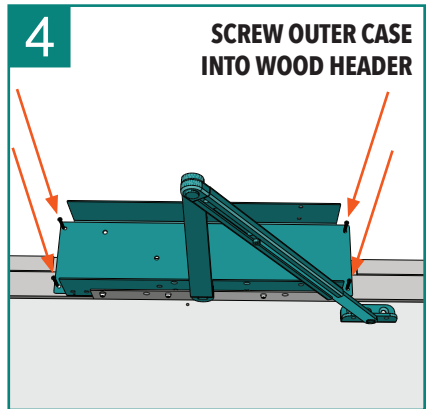
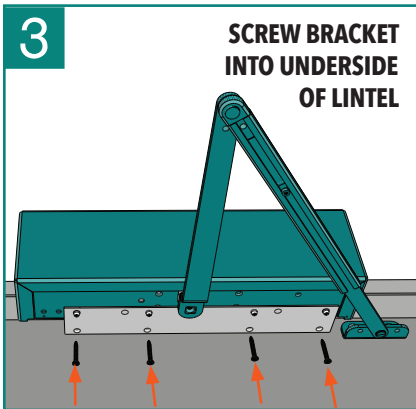
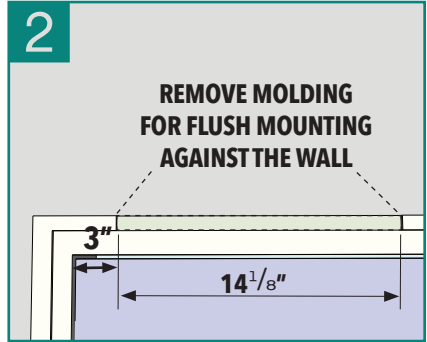
Plug in Strike Tester to RJ-11 phone jack to test electric strike, you should hear a buzzing sound coming from the strike (Do NOT connect any wires to this tester).



Connect the operator to the phone jack. Turn unit on and move on to page 9.

LINTEL MOUNT INSTALLATION INSTRUCTIONS FOR OUTWARD OPENING DOOR

Remove Cover from Operator before beginning installation

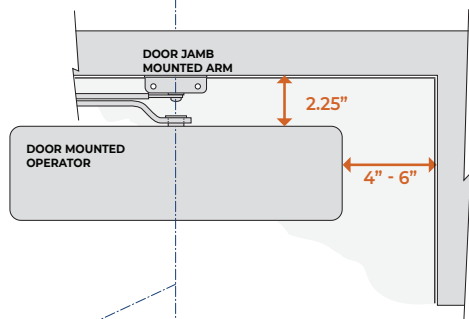


Note: Position Model 133 at 3" and Model 233 at 4" away from hinges and mount arm at 13" from hinges. Mount arm shoe 1 3/8" down from top of the door. After mounting unit, see page 9 and review instructions on inside cover.

OUTSWING PARALLEL MOUNT CONFIGURATION

****Remove Cover from Operator before beginning installation****

SIDE VIEW

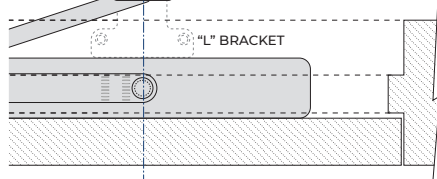
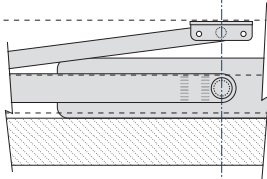


NOTE:
Direction slide switch on circuit board must be slid in direction away from hinges. (to find the location of the switch, see diagrams for Model 133/233 on pages 19 & 20)

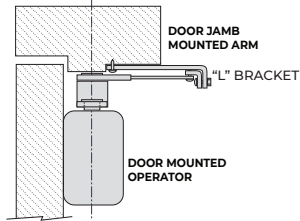
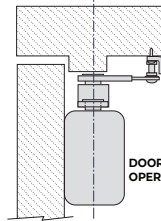
TYPICAL RESIDENTIAL PARALLEL MOUNT FOR STORM OR SCREEN DOORS

TYPICAL COMMERCIAL PARALLEL MOUNT FOR OUTWARD OPENING DOORS

FROM ABOVE VIEW



CROSS SECTION VIEW

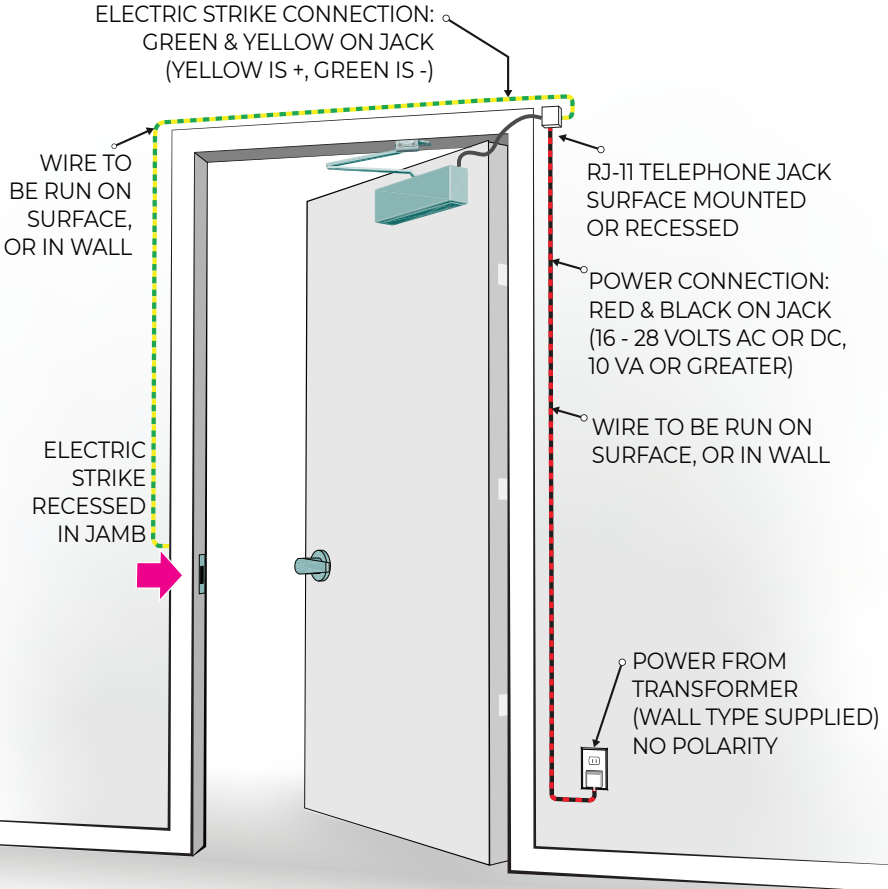


NOTE:
Once operator is mounted as shown with arm parallel to the door jamb and the operator, RED DOT and RED SENSOR should be lined up causing RED LIGHT to come on when the operator is on.

NOTE:
Will need to use a parallel mount "L" bracket to mount arm shoe. Once operator is mounted as shown with arm parallel to the door jamb and the operator, RED DOT and RED SENSOR should be lined up causing RED LIGHT to come on when the operator is on.

RESIDENTIAL INSTALLATION WIRING DIAGRAM USING SUPPLIED WIRING KIT

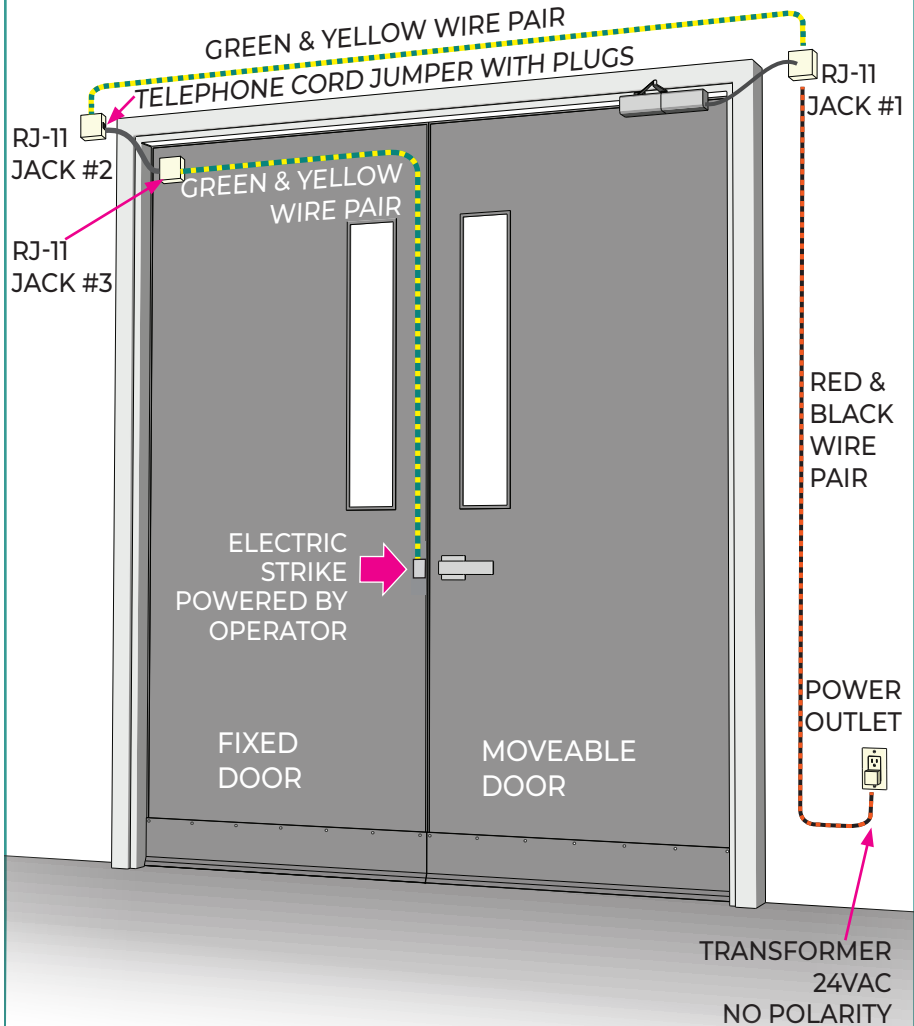
(for applications without electric strikes,
remove green/yellow wires from telephone jack)



NOTE:
AN EXISTING DOORBELL
TRANSFORMER MAY BE USED IF
THE OUTPUT IS 16 TO 28 VOLTS

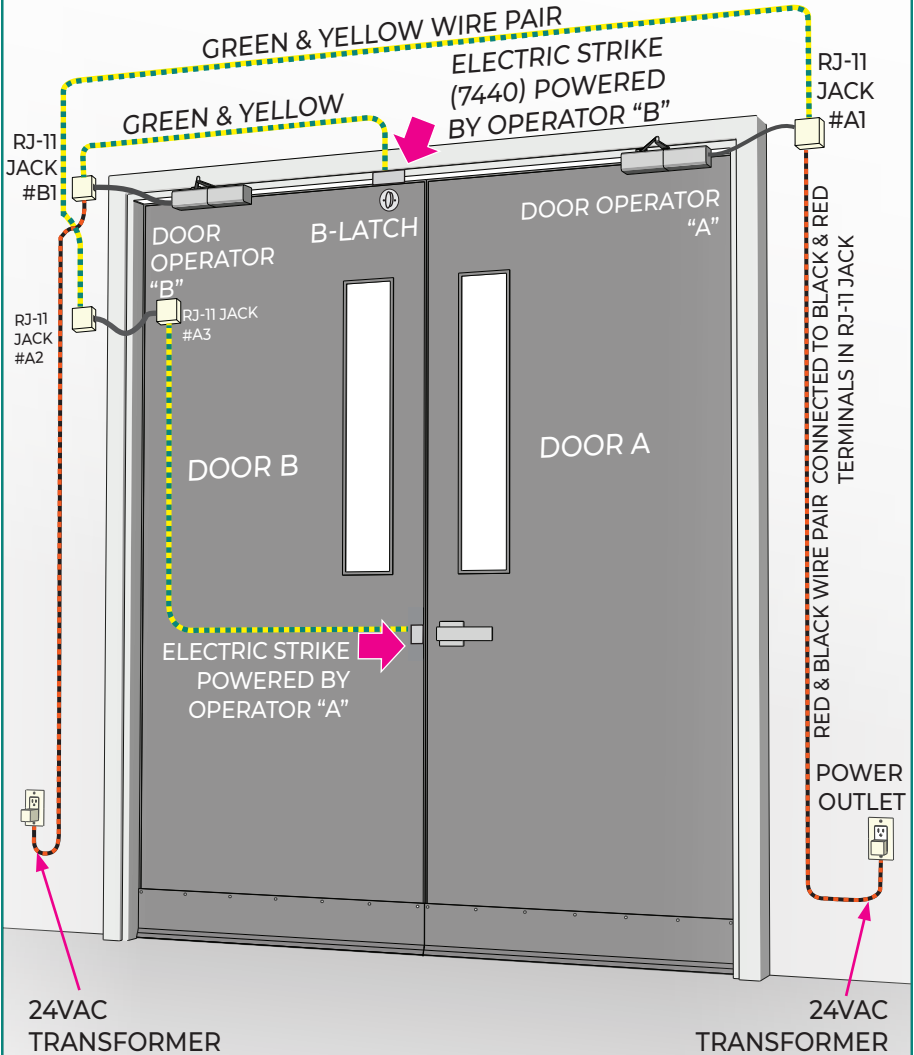
STRIKE WIRING FRENCH DOOR WITH ONE OPERATOR, ONE ELECTRIC STRIKE

(pre-wired kit)



INSTALLATION GUIDE

POWER WIRING - DOUBLE DOOR WITH TWO OPERATORS, TWO ELECTRIC STRIKES



NOTE: IF NECESSARY, ONE TRANSFORMER CAN BE USED TO SUPPLY POWER TO BOTH UNITS

ADJUSTMENTS

Your Open Sesame door operator has three potentiometers (pots/knobs) adjustments and one position jumper adjustment (auto-close). To change these settings at any point during or after installation you must first remove the Operator cover. The location of these adjustments are shown on the diagram on the inside cover of the operator. To remove cover refer to page 2 of this manual.

Open door to access top screw. After screws are loosened, slide cover forward to remove.

Close Delay adjustment (**Yellow** knob).

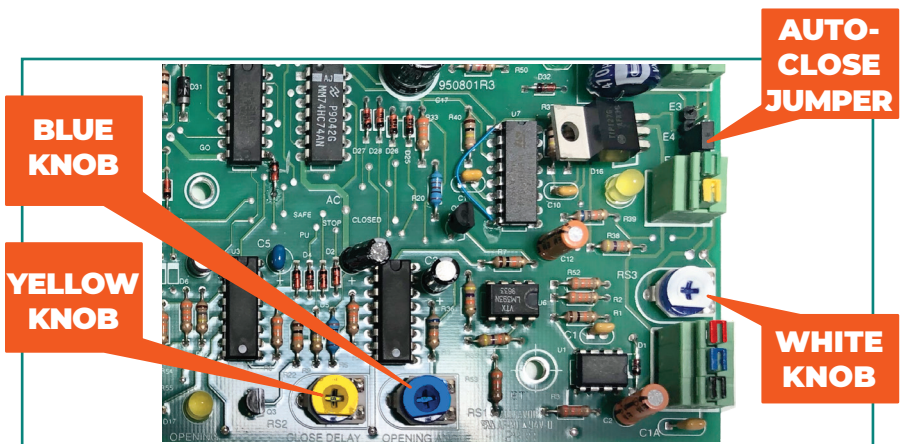
Turn clockwise to allow more time for people to go through the door before automatically closing.

Opening Angle adjustment (**Blue** knob).

Turn clockwise for wider door opening.

Obstruction Sensitivity adjustment (**White** knob).

Turn clockwise for heavier door or sticky door sweep.



CLUTCH ADJUSTMENT (MODEL 233 ONLY)

Adjust force applied to door during manual door opening, as well as powered opening. Can adjust for stronger force, for increased wind resistance for outward opening door, lighter for easier opening if stronger force not needed. Simply adjust Red Ring on clutch. Rotate clockwise (as seen from above where the arm is attached) for increased force, counter clockwise for decreased force. A clutch tool (3mm) is provided to rotate the ring by placing it in one of the 6 holes along the edge.



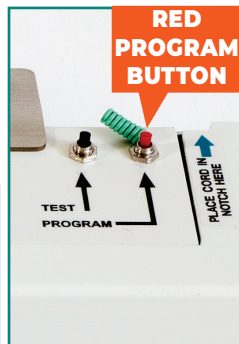
REMOTE CONTROL PROGRAMING INSTRUCTIONS

All current 433 MHz units with green (or green tipped) antenna wire



Standard Remote Control Transmitter

This transmitter is a visor transmitter which may be mounted below the wheelchair armrest or a side panel. A sensitivity paddle is included to make it easier to push.



1. Press momentarily and release the red program button located on top of the Open Sesame unit (1 second).
2. Within 15 seconds, press and hold the button on the transmitter you wish to use for 3 seconds or for Touchpad, touch the pad momentarily with a few fingers or your palm. Now your remote is programmed.

Keypad

1. Press and release the red program button located on top of the Open Sesame unit (1 second).
2. Within 15 seconds, enter 1234 (factory default code), 1234 is now programmed into the system.

If you want to change the 4-digit keypad code:

1. Enter ##xxxx, where xxxx is your current 4-digit code (factory default is 1234).
2. Enter your new 4-digit code then,
3. Enter 1##
4. Wait a few seconds
5. Enter **



NOTE: To reset code to factory setting of "1234", do the following:

1. Disconnect battery
2. While holding down any button, reconnect the battery
3. Continue holding button for 5 seconds.

CONTINUED

REMOTE CONTROL PROGRAMING INSTRUCTIONS

TO ERASE ALL TRANSMITTER CODES:

1. Press and then release the receiver programming button five times quickly (within 3 sec. time).
2. The light will flash 5 times, indicating that ALL remotes have been erased from the receiver memory.

If you have problems programming, there is a green indicator light that can be observed inside the unit with the cover off, that can be used for troubleshooting. It is on the radio receiver board on back of the case on right side.

For programmed transmitters the following applies:

The receiver light will flash 5 times, within 2 seconds when a programmed transmitter button has been pressed and released. The receiver light will continue to flash when a transmitter button has been pressed and held down. The receiver light will stop flashing when the transmitter button has been released.

For non-programmed transmitters: The receiver light will blink rapidly (10 times within 2 seconds) when a non-programmed transmitter button is pressed. The receiver light will continue to blink until the non-programmed transmitter button is released.

If the radio receiver light does not flash at all when the remote control button is pushed, the first thing to suspect is a dead battery in the remote control.

NOTE:

*For assistance programming earlier models with **gray** antenna wire, please contact Open Sesame.*

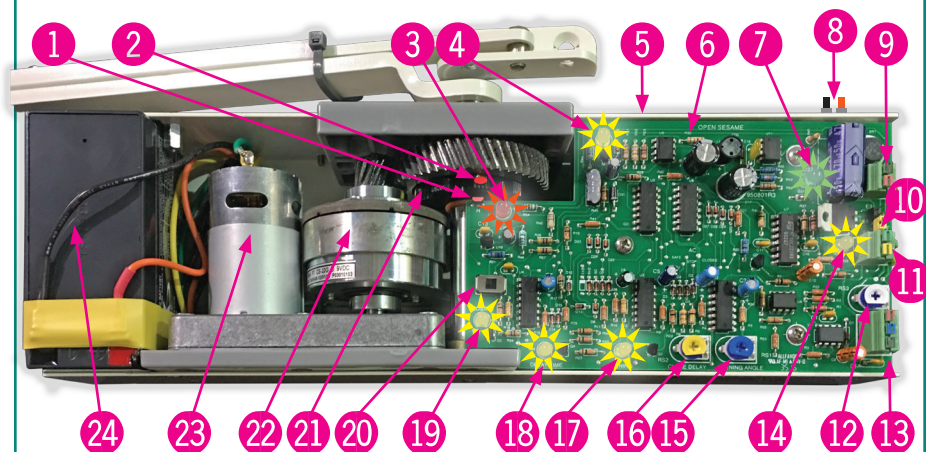
TROUBLESHOOTING

ISSUE	CAUSE	SOLUTION
No Green (ON) light on the board	No power from transformer (no green light on the transformer)	Check outlet for Proper Voltage
	Wires disconnected from transformer	Check connection to the transformer
	Bad Transformer	Replace transformer
No red light on board	Operator is switched OFF	Move switch to ON position
	Misaligned "H" Sensor and red dot on disk	Realign "H" Sensor and red dot on disk
	"H" Sensor may not be close enough to disk	Push up "H" Sensor with your thumb, should be 1/8" away from disk
	Blown Fuse	Replace fuse - located in tubular fuse holder connected to orange battery wire.
	Bad top board	Replace top board
Door does not open	Red light on board not on	"H" Sensor and red dot not aligned
	Loose Connections	Check & tighten all connections
	Battery Failure	Refer to battery testing instructions. Turn operator off if recharging is needed or replace battery if it's 3-5 years old.
	Obstruction, weather stripping	Remove obstruction, thick weather stripping may need to be removed.
	Blown fuse	Replace fuse - located in tubular fuse holder connected to orange battery wire
	Bad Radio Receiver Board (if Test button does not work)	Replace Radio Receiver Board
Door does not open wide enough/to its normal width	Opening angle not adjusted	Adjust Opening Angle (blue knob on top board)
	Battery Failure	Recharge or replace battery
Door does not delay	Incorrect Close Delay setting	Adjust Close Delay knob (5-35 sec)
	Bad Top Board	Replace Top Board
Operator only works in one direction	Bad Bottom Board	Test by: Sliding Switch on opposite direction, open the door and hit test button (M133) door should open further if it doesn't then there is a bad bottom board. M233 door should open automatically. If it does not, replace bottom board

ISSUE	CAUSE	SOLUTION
Door moves slower upon opening/closing	Weather stripping, dragging on door.	Remove anything that might be dragging the door. Thick weather stripping may need to be removed.
	Battery Failure	Recharge or replace battery
Strike does not release door latch	Clutch is engaging and keeps running so it wont let you open the door	Battery Failure-Turn off operator and recharge. Replace battery if it's 3-5 yrs old.
	Bad Wiring	See Detailed Troubleshooting on www.OpenSesameDoor.com
	Bad Door Cord or Bad RJ-11	See Detailed Troubleshooting on www.OpenSesameDoor.com
	Misaligned red dot sensor with sensor	Re-align red dot
Door goes the opposite way	Direction of Slide Switch towards wrong side.	Move Slide Switch towards hinges. With parallel mount, Slide Switch should be away from hinges
Door does not close	Not enough force	M233: adjust clutch by rotating the red ring on the clutch. <i>Note: You should not need to tighten the clutch all the way.</i> If more force needed (both models) move shoe of arm in towards hinges and place middle of shoe on the next existing hole
	Battery Failure	Recharge or replace battery
Clutch is slipping and makes a grinding whining noise	Bad clutch	Send in to have motor clutch assembly replaced (call for RA# before shipping operator in)
Transmitter does not work	Incorrect remote	Green Antenna = 433Mhz Purple Antenna = 315Mhz Gray Antenna = 390Mhz (Antenna is the coiled wire located behind red and black buttons on the top of the operator)
	Transmitter not programmed	Refer to Owners Manual or see programming instructions at OpenSesameDoor.com
	Dead battery on transmitter	Replace battery, refer to Owners Manual or go to OpenSesameDoor.com for battery information
	Bad/loose connection between Top Board and Receiver Board	Fix/tighten the connection
	Bad Receiver Board	Replace Receiver Board

MODEL 133

System should be mounted 3" away from hinges (edge of door)
Arm should be mounted 13" from hinge



PARTS:

1. Sensor "H" (*senses the magnet under red dot; make sure it is aligned so it can start activation*)
2. Red dot is where magnet is; needs to be aligned with sensor "H"
5. ON/OFF Switch (*on top of the unit*)
6. Top Circuit Board
13. Terminal Block
21. Donut
22. Clutch
23. Motor
24. 12V Lead Acid Gel Cell Battery

CONNECTIONS:

9. 24v AC, IN Power from Transformer (Blk/Red)
11. 12v DC Strike OUT Power (to Door release)
Green (-) Yellow(+)
13. Radio Connection & Accessory Terminal Block

ADJUSTMENTS:

8. (*on top of the unit*)
Test (Blk) and Program (Red) Buttons
(*Press P, 5 times to deactivate any remotes*)
10. Auto close jumper: bottom 2 = park enabled, middle 2 = park disabled, auto close enabled
12. Obstruction Sensitivity (*Pushes door for a longer time when closing, turning clockwise increases the closing force*)
15. Opening Angle
(*Adjust how wide door opens*)
16. Close Delay
(*Adjusts amount of time before closing*)
20. Switch should point towards the hinges EXCEPT with a parallel mount which should point AWAY from hinges (*will determine if door opens to the left or right*)

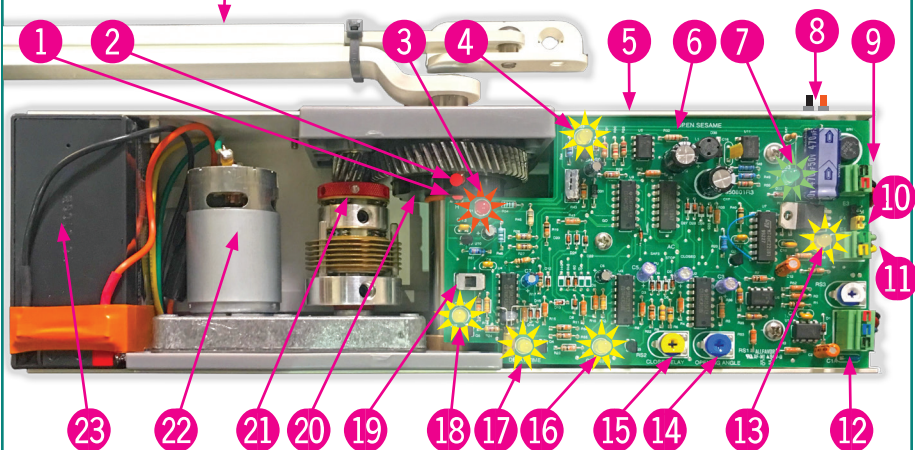
DIAGNOSTICS:

3. Red Light is on when Door is closed
4. Light comes on when clutch is engaged
7. Green Light (*Confirming there is power from transformer*)
14. Light comes on when strike is engaged
17. Light comes on when door is opening
18. Light comes on when the door is open -waiting to close
19. Light comes on when door is closing

MODEL 233

System should be mounted 4" away from hinges (edge of door)
 Arm should be mounted 13" from hinge

Additional accessory bumper
 can be included If needed.



PARTS:

1. Sensor "H" (*senses the magnet under red dot; make sure it is aligned so it can start activation*)
2. Red dot is where magnet is; needs to be aligned with sensor "H"
5. ON/OFF Switch (*on top of the unit*)
6. Top Circuit Board
12. Terminal Block
20. Donut
21. Clutch Adjustment (Red Ring)
22. Motor
23. 12V Lead Acid Gel Cell Battery

CONNECTIONS:

9. 24v AC, IN Power from Transformer (Blk/Red)
11. 12v DC Strike OUT Power (to Door release) Green (-) Yellow(+)
12. Radio Connection & Accessory Terminal Block

ADJUSTMENTS:

8. (*on top of the unit*)
 Test(Blk) and Program(Red) Buttons
 (Press P, 5 times to deactivate any remotes)
10. Park enable/disable jumper: bottom 2 = park enabled, middle 2 = park disabled
14. Opening Angle
 (*Adjust how wide door opens*)
15. Close Delay
 (*Adjusts amount of time before closing*)
19. Switch should point towards the hinges EXCEPT with a parallel mount which should point AWAY from hinges (*will determine if door opens to the left or right*)

DIAGNOSTICS:

3. Red Light is on when Door is closed
4. Light comes on when clutch is engaged
7. Green Light (*Confirming there is power from transformer*)
13. Light comes on when strike is engaged
16. Light comes on when door is opening
17. Light comes on when the door is open -waiting to close
18. Light comes on when door is closing

FOR TECHNICAL SERVICE

CONTACT YOUR LOCAL DEALER/INSTALLER

Dealer/Installer: _____

Contact: _____

Phone #: _____

Invoice #: _____



Open Sesame Door Systems, Inc.
462 Davis Street
San Leandro, CA 94577
1.800.673.6911

Manufacturer of Disability Access Products

www.opensesamedoor.com