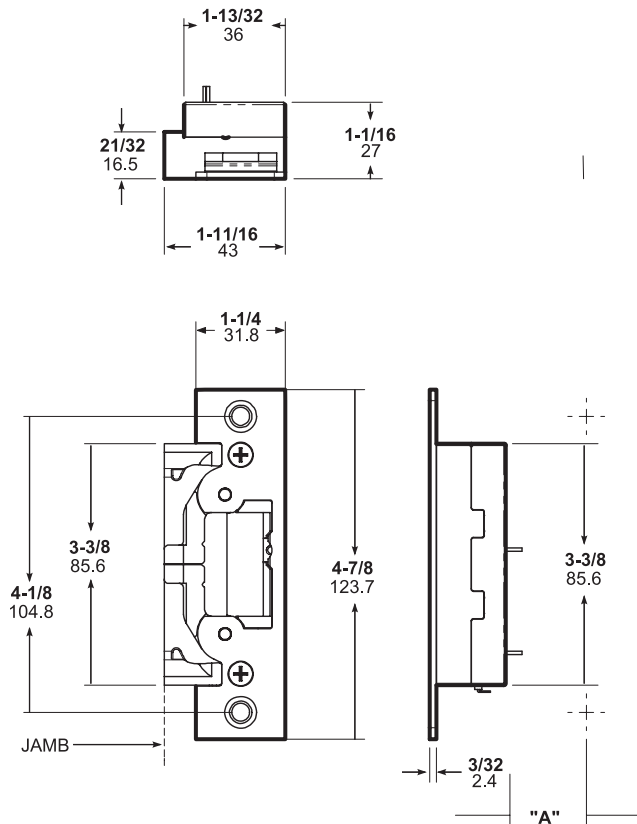


ADAMS-RITE 7440 ELECTRIC STRIKE

DIMENSIONS

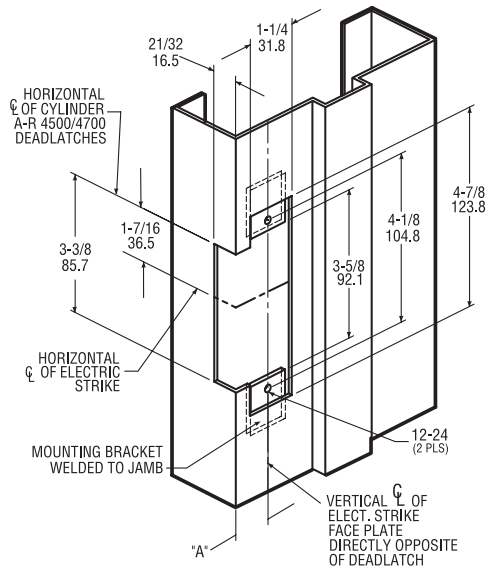
INCHES
MILLIMETERS

Nominal, subject to tolerance extremes.

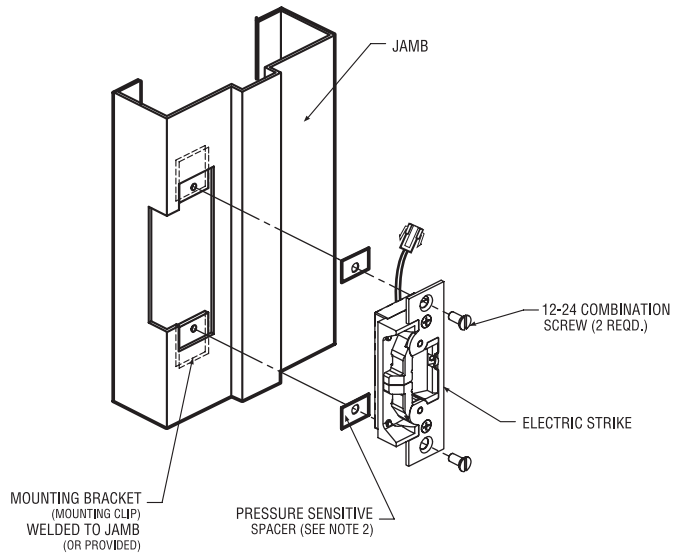


STANDARD UNIT FITS DIM "A" $1\text{-}1/16$ " (SEE DASH NO.)
MOUNTING BACKSETS FURNISHED

INSTALLATION



INSTALLATION



SPECIAL NEEDS
COMPUTERS 
1-877-724-4922

TITLE **ADAMS-RITE 7440**
ELECTRIC STRIKE

MODEL

PAGE **1** OF **1**