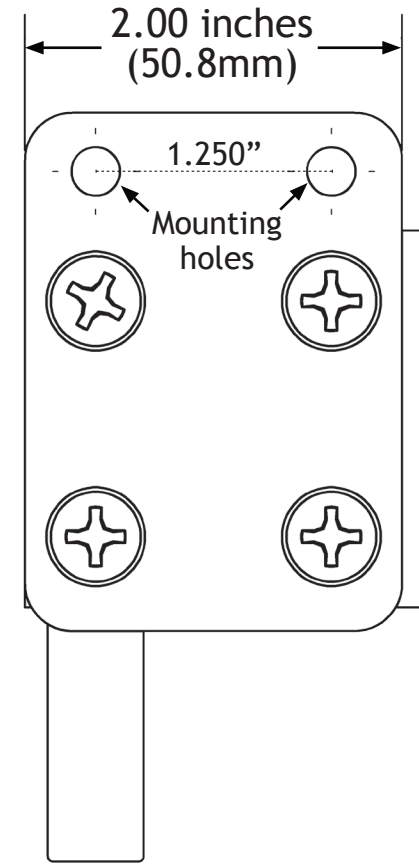
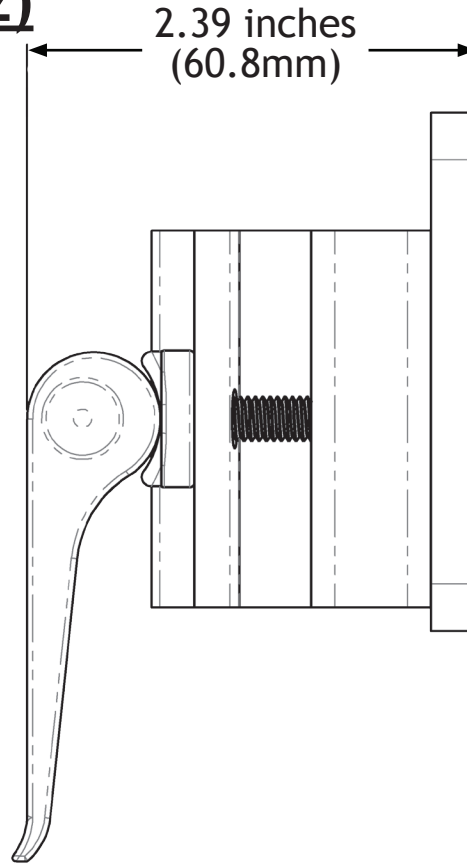
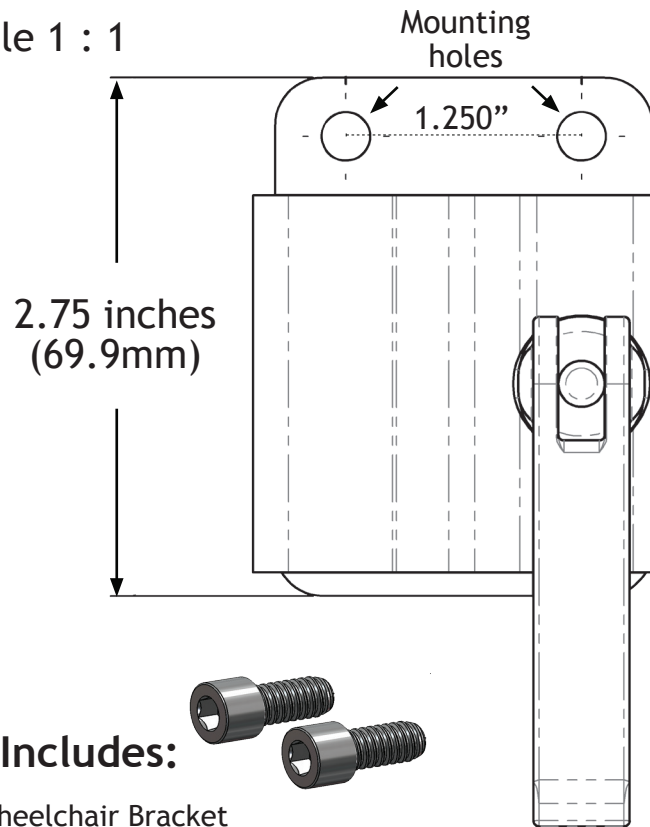


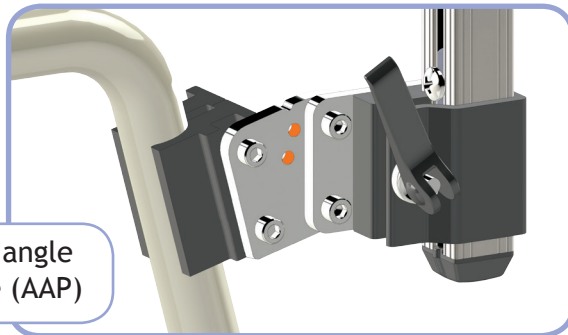
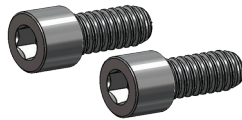
Solid Wheelchair Bracket (WB2)

Scale 1 : 1

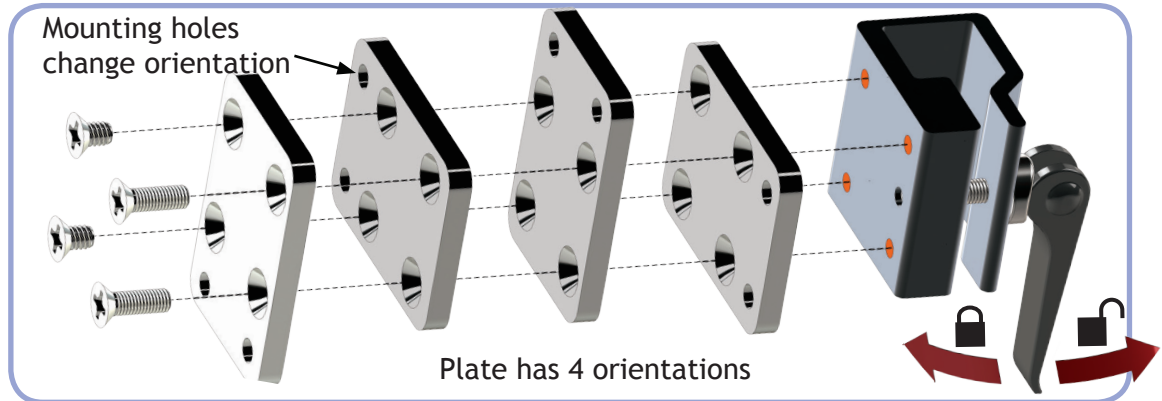


Set Includes:

- (1) Wheelchair Bracket
- (2) 1/4-28 X 0.5" Socket Head Screws



WB2 attached to angle adjustment plate (AAP)



Mount'n Mover™
by BlueSky Designs

mountnmover.com

Product: WB2, Wheelchair Bracket - Solid
Weight: 11.6 oz. (0.33 kg)

1-888-724-7002 (toll free) or 1-612-724-7002

Wheelchair Attachment Overview

* All plates are considered 'multi-use plates' and can be configured, combined, and used in a variety of ways.

