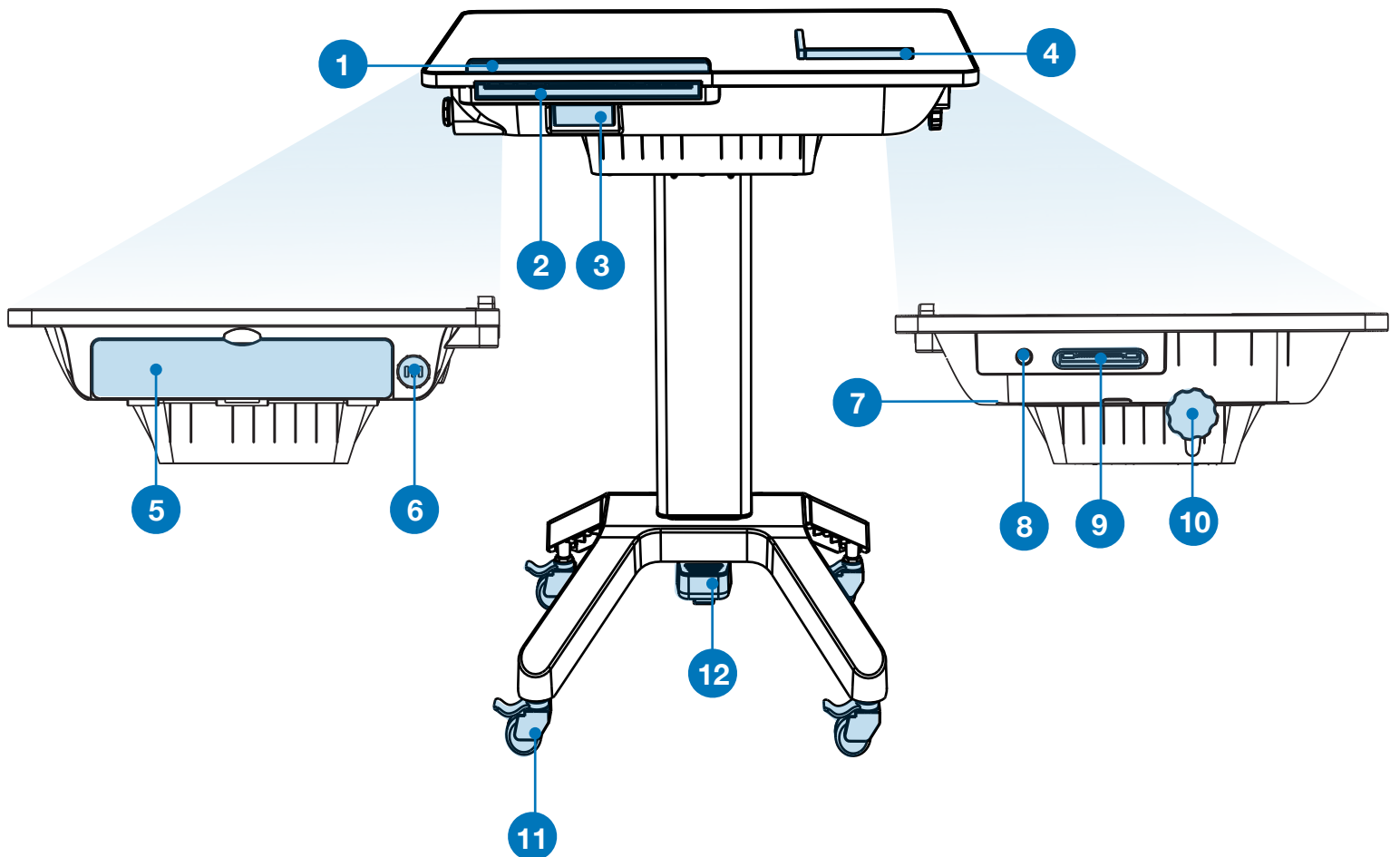


- 1 Magnetic Tablet Dock
- 2 Pop-Out Keyboard
- 3 Tablet Bay Charging Actuator
- 4 x2 Magnetic Anti-Slip Bumpers
- 5 Tablet Storage Bay
- 6 Tablet Bay Combination Lock
- 7 Podium Audio Line In/Out
- 8 Power System On/Off Button
- 9 Magnetic Power Port
- 10 Tilt Adjustment Dial
- 11 x4 Lockable Wheels
- 12 Height Adjustment Foot Pedal



Tablet Features

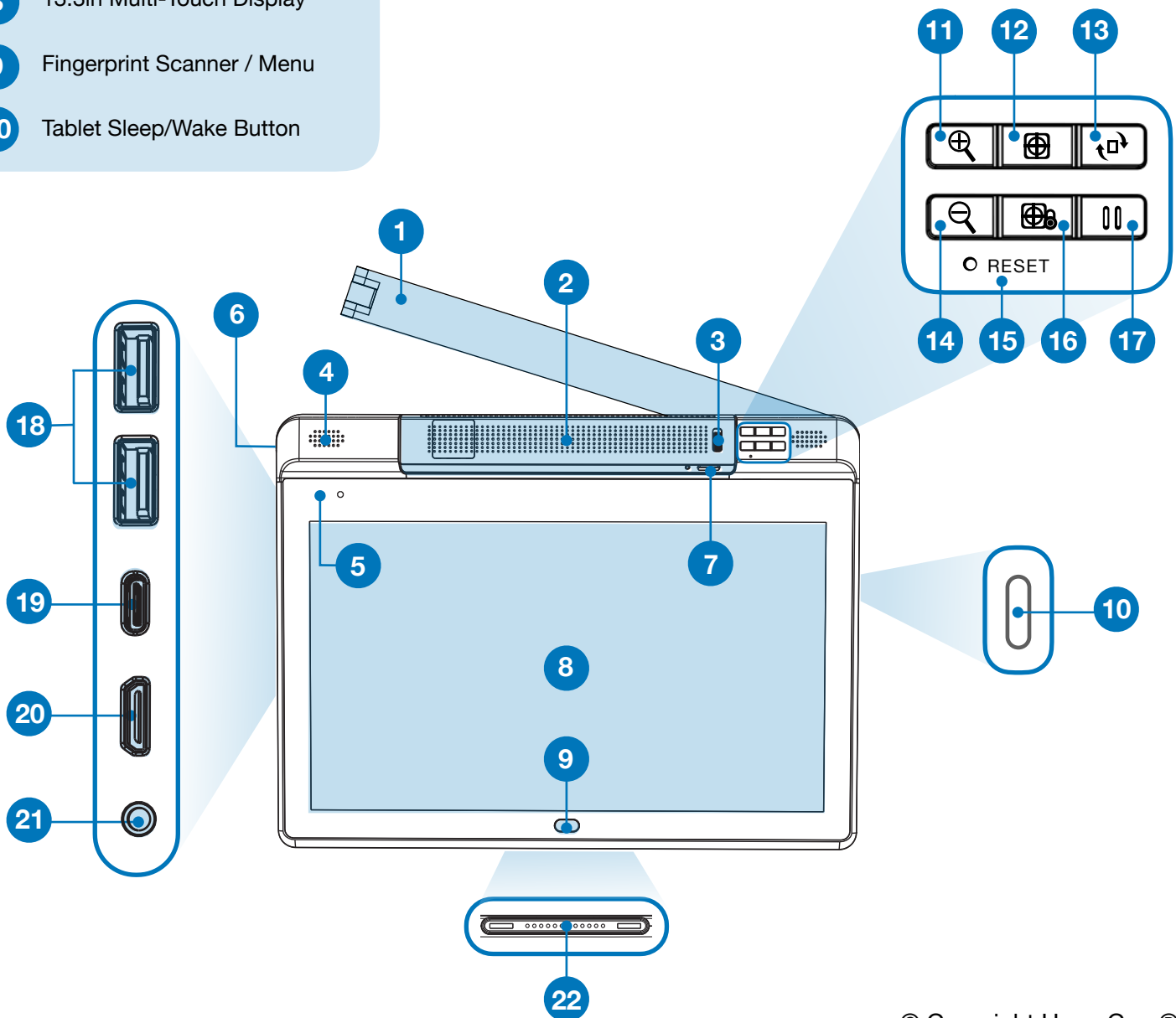
- 1 Fold-Out Document Camera
- 2 HoverCast Wireless Antenna
- 3 HoverCast On/Off
- 4 1 Watt Tablet Speaker (x2)
- 5 Tablet Charging Indicator
- 6 Kensington Lock
- 7 HoverCast Reset
- 8 13.3in Multi-Touch Display
- 9 Fingerprint Scanner / Menu
- 10 Tablet Sleep/Wake Button

Camera Controls

- 11 Zoom-In
- 12 AutoFocus On
- 13 Image Rotate
- 14 Zoom-Out
- 15 Camera Reset
- 16 AutoFocus Off
- 17 Freeze

Connectivity

- 18 USB 3.0 Type A (x2)
- 19 USB 3.0 Type C
- 20 Mini HDMI-Out
- 21 Audio Line In/Out
- 22 Magnetic Docking Connector

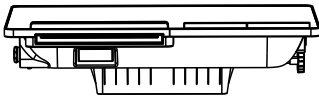


Notice: Two people are required to safely assemble Pilot X

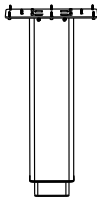


Step 1

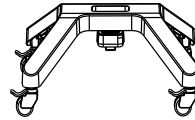
Carefully unpackage the Pilot X **Podium Surface**, **Podium Pedestal**, **Podium Wheel Base**, **Hardware** and **Assembly Tools**. Stage the components on the included foam packaging, or use a padded surface.



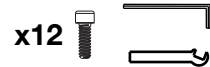
Podium Surface



Podium Pedestal



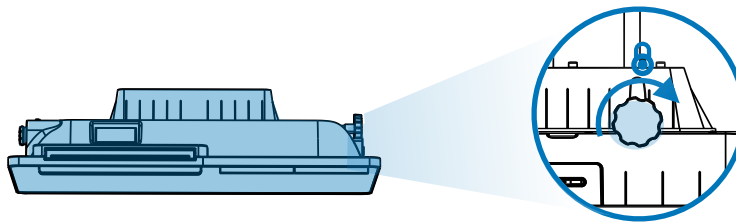
Podium Wheel Base



Hardware and Assembly Tools

Step 2

Place the **Podium Surface** upside down on a padded surface, making sure the **Tilt Adjustment Dial** is in the locked position by rotating it clockwise to the furthest position.



Step 3

Carefully place the **Podium Pedestal** onto the **Podium Surface**, making sure the x8 4mm bold holes line up properly. Next use the included **hex driver** to secure **x8 4mm Bolts** as pictured below, being careful not to strip the threads.

Optionally, a thread-locking compound may be used to prevent loosening of the bolts over time (not included). Loctite® Threadlocker Blue 242® is a recommended compound.



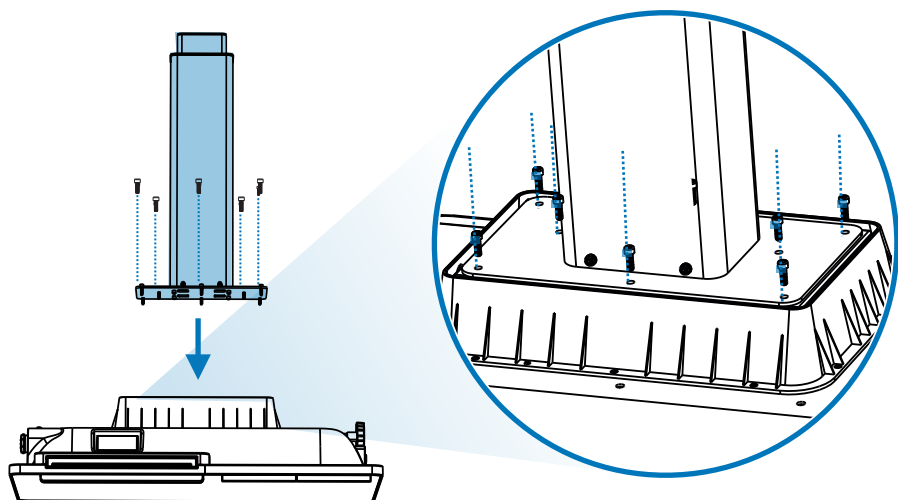
x8 4mm Bolts



4mm Hex Driver



Optional Thread-Locking Compound (Not Included)



Step 4

Insert the **Podium Wheel Base** onto the **Podium Pedestal**, making sure the **Height Adjustment Foot Pedal** is on the same side as the **Pop-Out Keyboard**. Use the included **Hex Driver** to secure **x4 4mm bolts** as pictured below, being careful not to strip the threads.

Optionally, a thread-locking compound may be used to prevent loosening of the bolts over time (not included). Loctite® Threadlocker Blue 242® is a recommended compound.



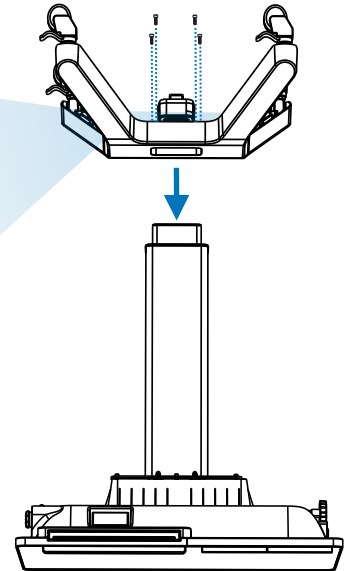
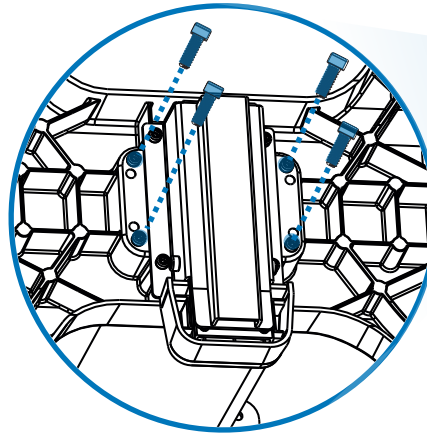
x4 4mm Bolts



4mm Hex Driver

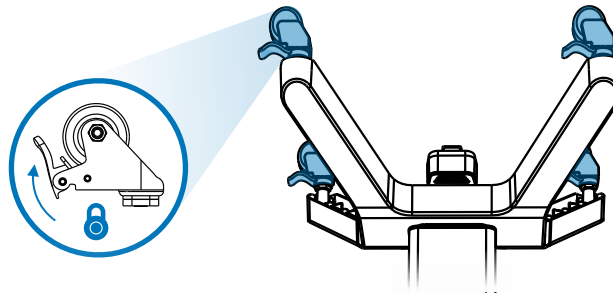


Optional Thread-Locking Compound (Not Included)



Step 5

Ensure that the x4 **Podium Wheels** are in the locked position by pushing down on the locking levers.



Step 5

With the help of another person, carefully flip the podium onto a level surface.

