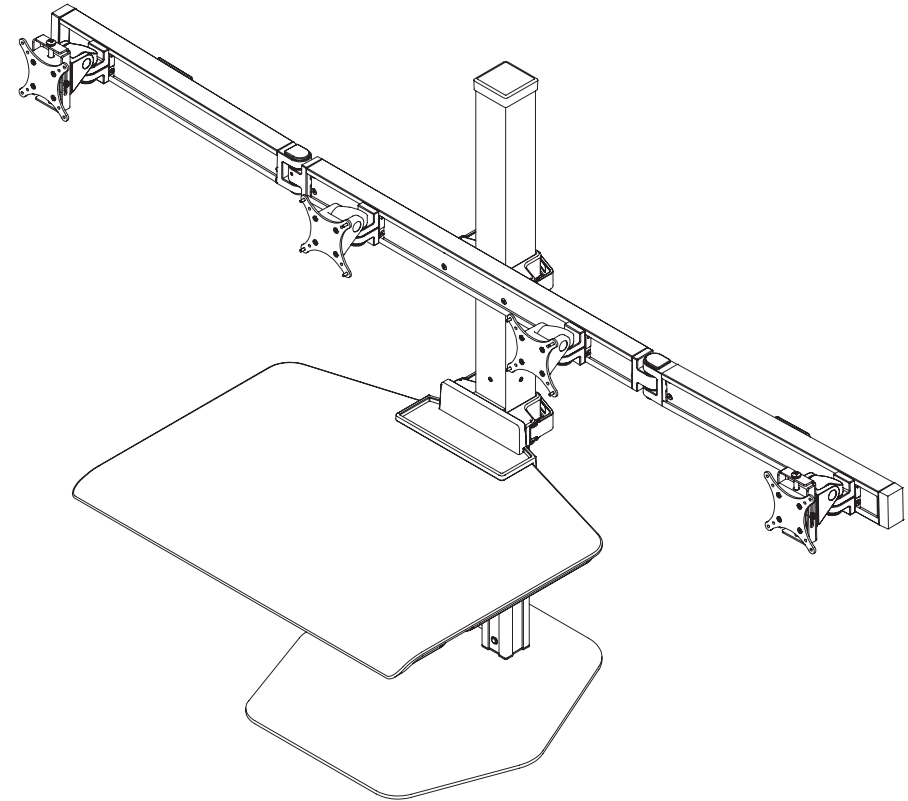


WNST-3



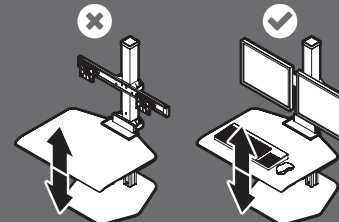
WNST-4

Human Active Technology
800 524 2744
customerservice@team-hat.com
team-hat.com



CAUTION:

Mechanism can rise quickly with no equipment in place. User equipment must be properly installed, prior to height adjustment. Failure to do so may result in personal injury and/or property damage.



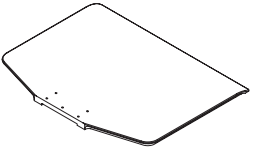
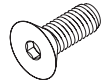
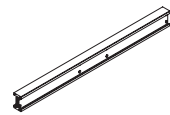
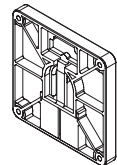
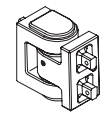
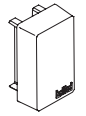
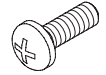
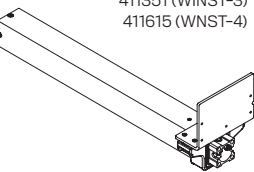
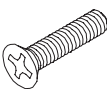
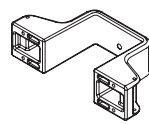
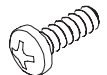

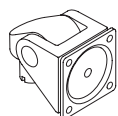

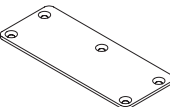

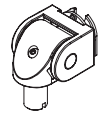
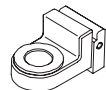
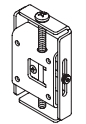

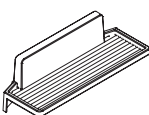

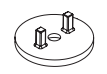



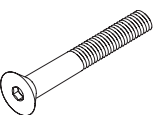

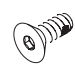

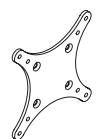
NOTE:

Depending on your Winston Workstation® configuration, you may not receive all the parts shown within this instruction booklet.

Installation may require two people.

PARTS LIST

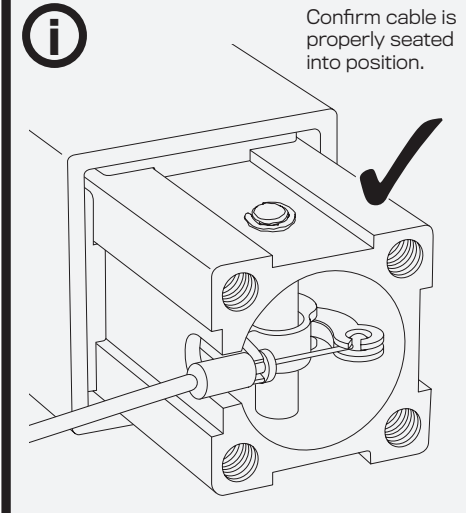
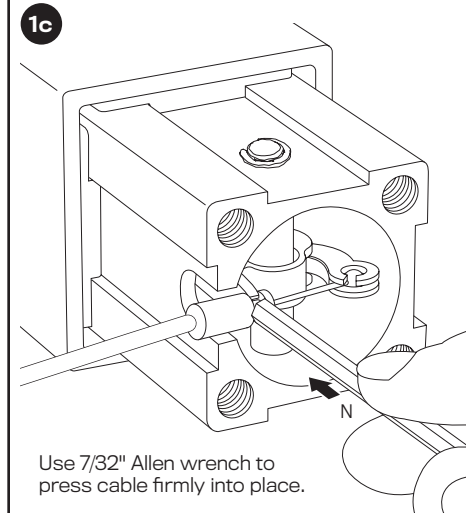
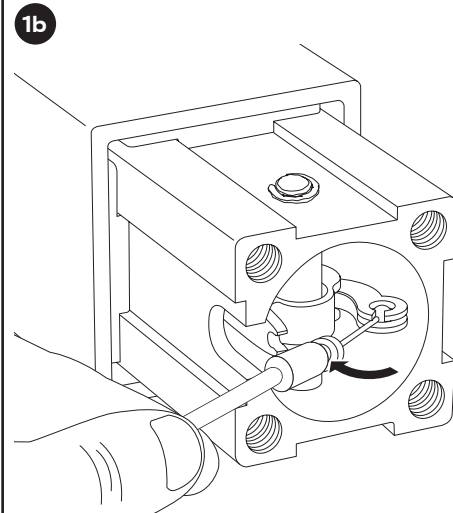
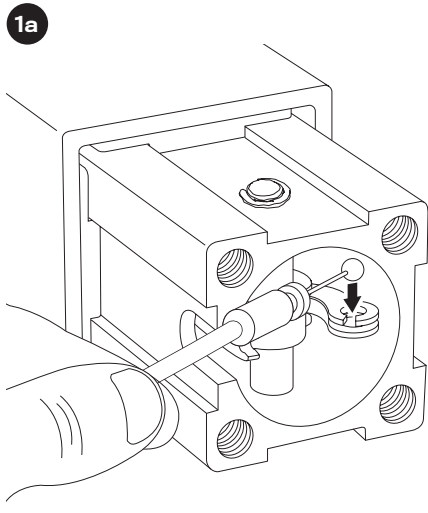
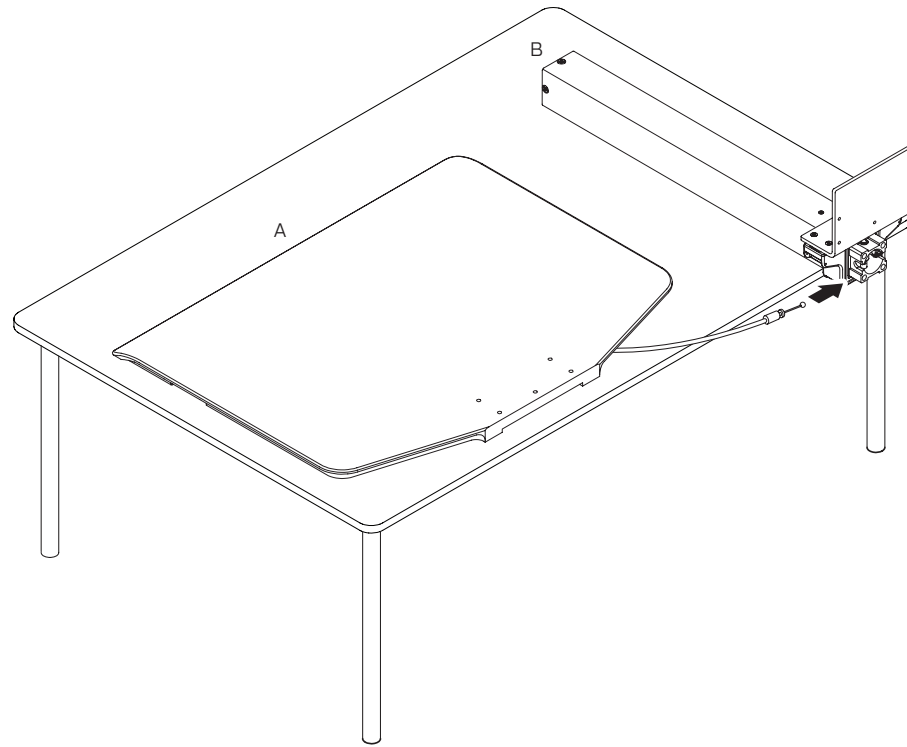
Depending on your Winston Workstation configuration, you may not receive all parts shown below.

<p>A Worksurface 111435</p> 	<p>F 3/8-16 x 1" FHSCS 701124</p> 	<p>K Center Beam (10" or 30") 111098-10 or 111098-30</p> 	<p>P* Quick Connect VESA Plate 114808</p> 	<p>U Hinge 411491</p> 	<p>Z End Cap 111159-708</p> 	<p>EE** M4 x 12mm PhPHS 702096</p> 
<p>B Column 411351 (WINST-3) 411615 (WNST-4)</p> 	<p>G Screws 713273</p> 	<p>L Column Clamp 111040</p> 	<p>Q* M4 x 12mm Phillips Screw 701153</p> 	<p>V Extension Beam (10" or 20") 111099-10 or 111099-20</p> 	<p>AA** Monitor Tilter 405397</p> 	
<p>C Felt Pad 111464</p> 	<p>H Top Plate 111736</p> 	<p>M 1/8" Allen Wrench 701312</p> 	<p>R* Monitor Tilter 8500 Tilter</p> 	<p>W Monitor Cup 411351</p> 	<p>BB** Fine Tune Adjust 8473</p> 	
<p>D Freestanding Base 111248</p> 	<p>I Utility Tray 113025</p> 	<p>N 7/32" Allen Wrench 701127</p> 	<p>S Dog Washer 111230-603</p> 	<p>X Extension Beam Cable Clip 111252</p> 	<p>CC** 10-32 x 3/8" PhPHS 702281</p> 	
<p>E Cable Retainer 111735</p> 	<p>J FHSCS 10-32 x 1-1/2" 711101</p> 	<p>O Column Cap 111275-708</p> 	<p>T 10-32 x 1/2" FHSCS 711240</p> 	<p>Y Column Cable Clip 111203-708</p> 	<p>DD** VESA Adapter 105587</p> 	

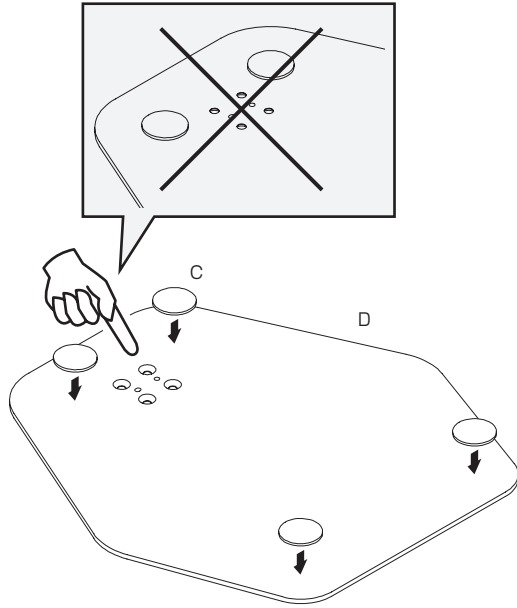
1

IMPORTANT: Do not pull excessively on cable - doing so may result in accidental actuation of column.

CAUTION: Do not press height adjust button until unit is fully assembled.

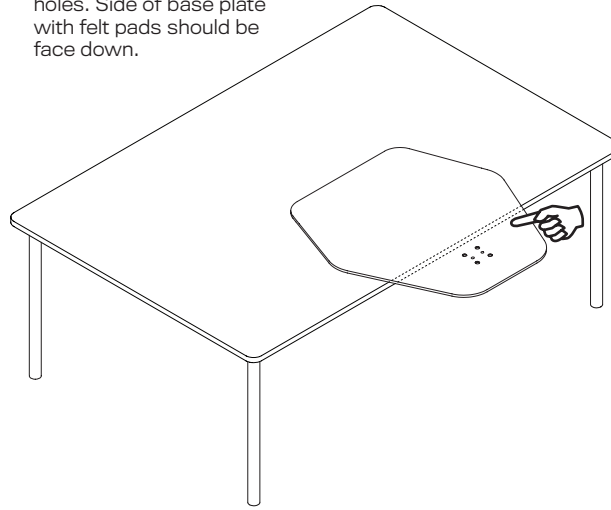


2



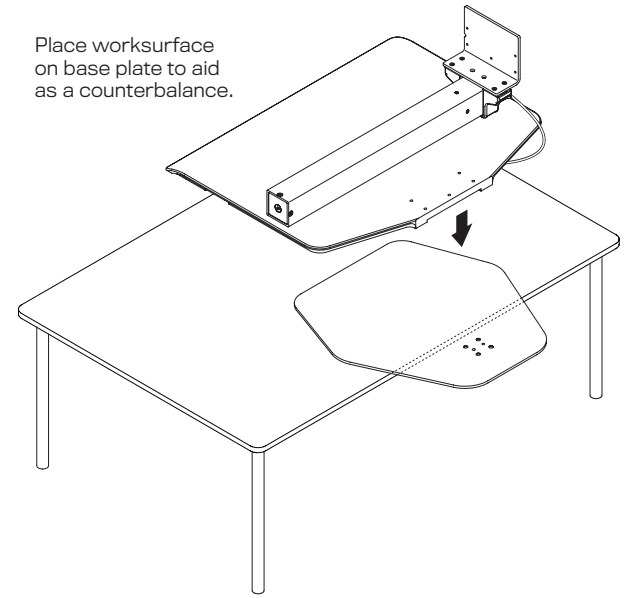
3

Hang base plate over edge of work surface to allow access to countersunk holes. Side of base plate with felt pads should be face down.

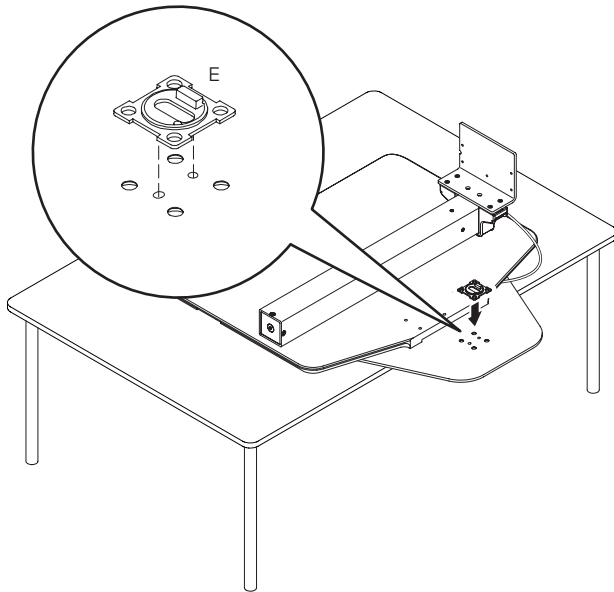


4

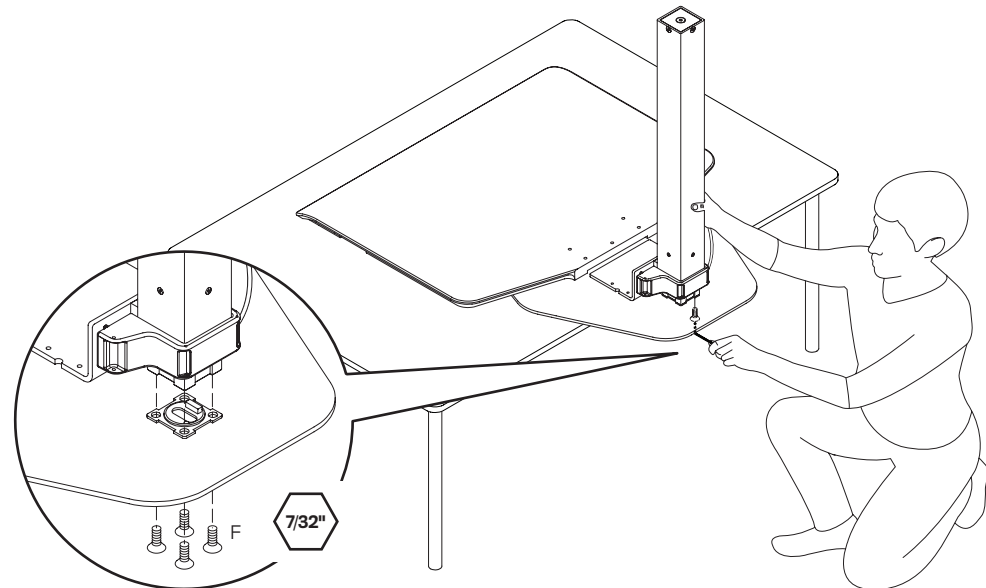
Place work surface on base plate to aid as a counterbalance.



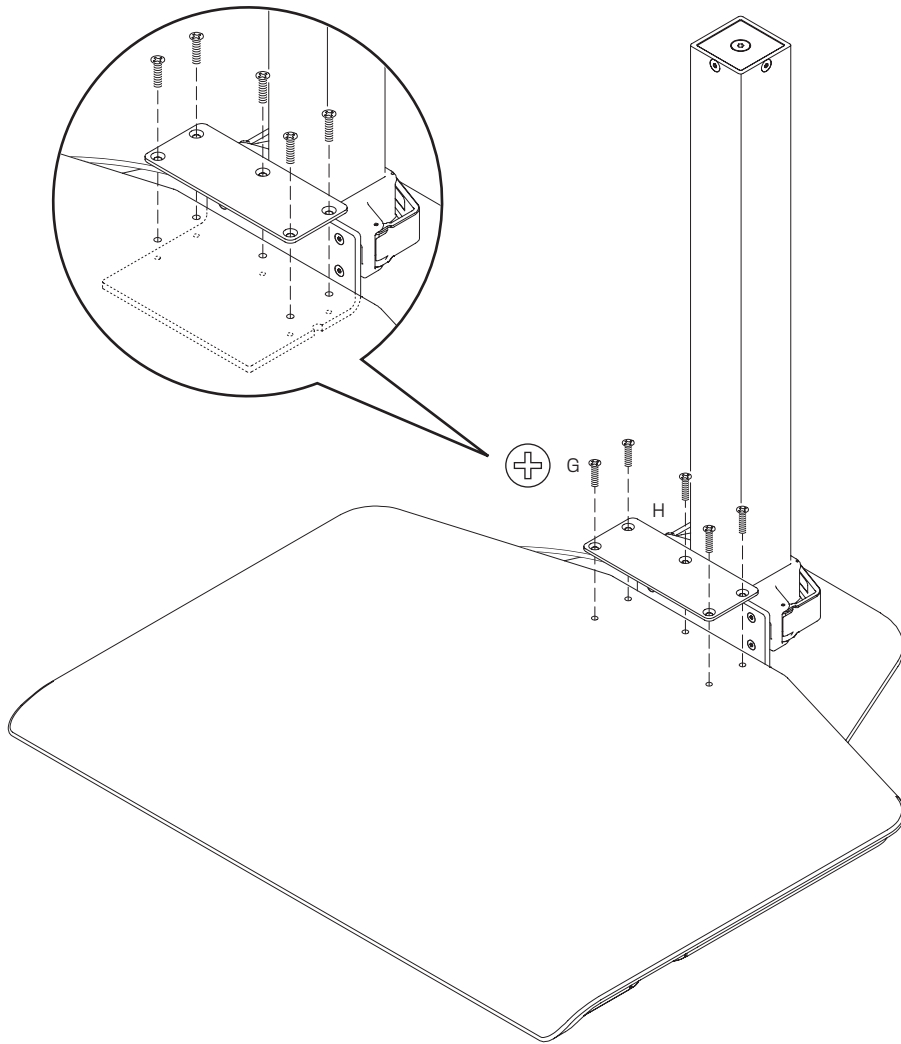
5



6

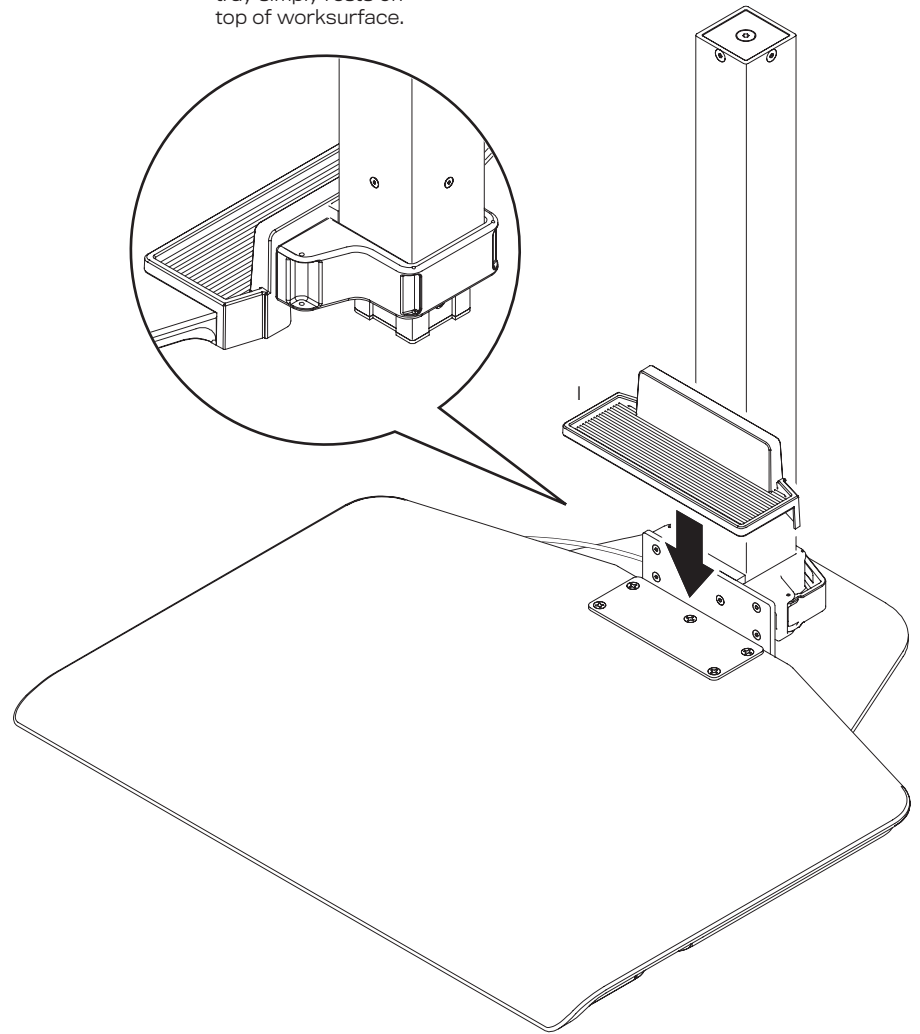


7

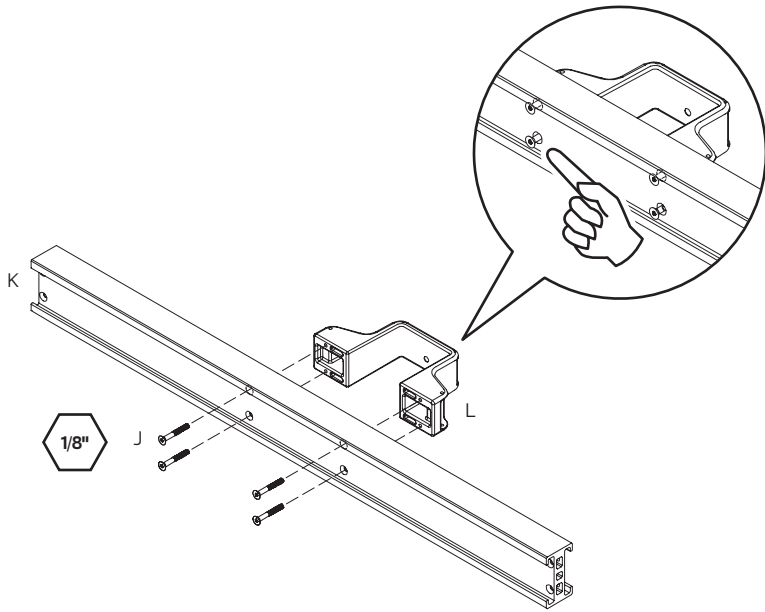


8

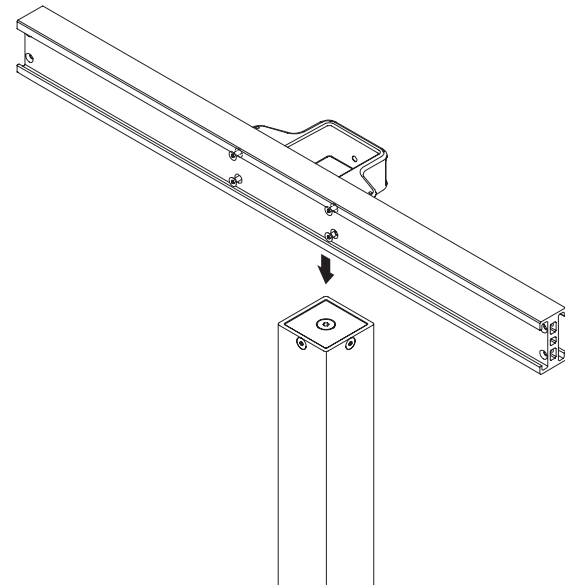
Slide utility tray onto work surface. Utility tray simply rests on top of work surface.



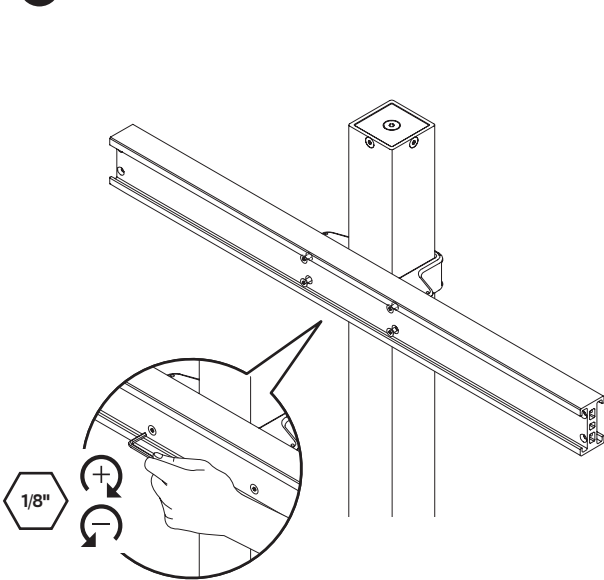
9



10



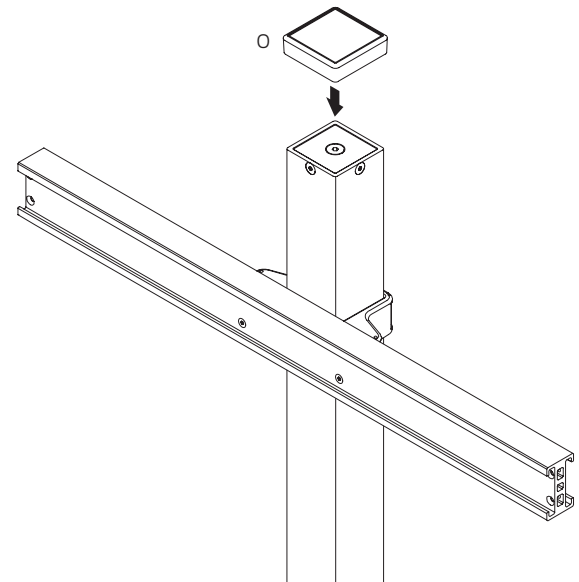
11



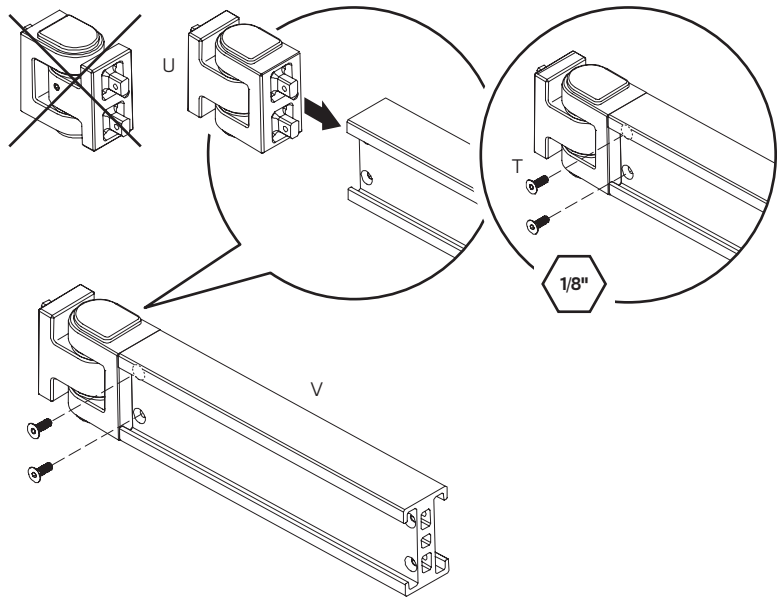
i **IMPORTANT:** Tighten bolts evenly. The beam should sit flush against the column, ensure there are no gaps. Also, it is important the worksurface clamp is level.

A diagram shows the four bolts on the beam being tightened in a sequence: 1, 2, 3, 4.

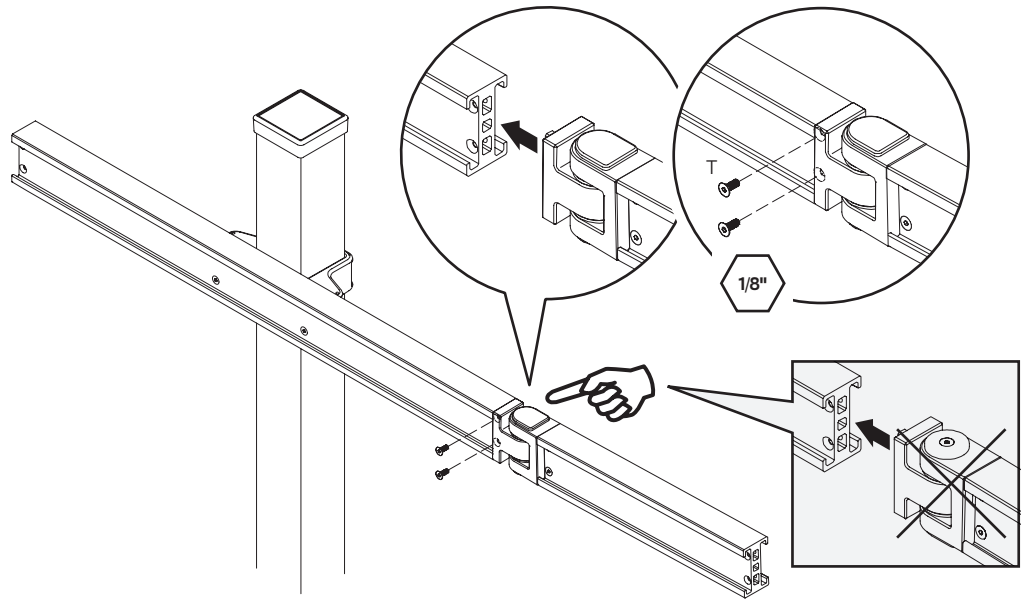
12



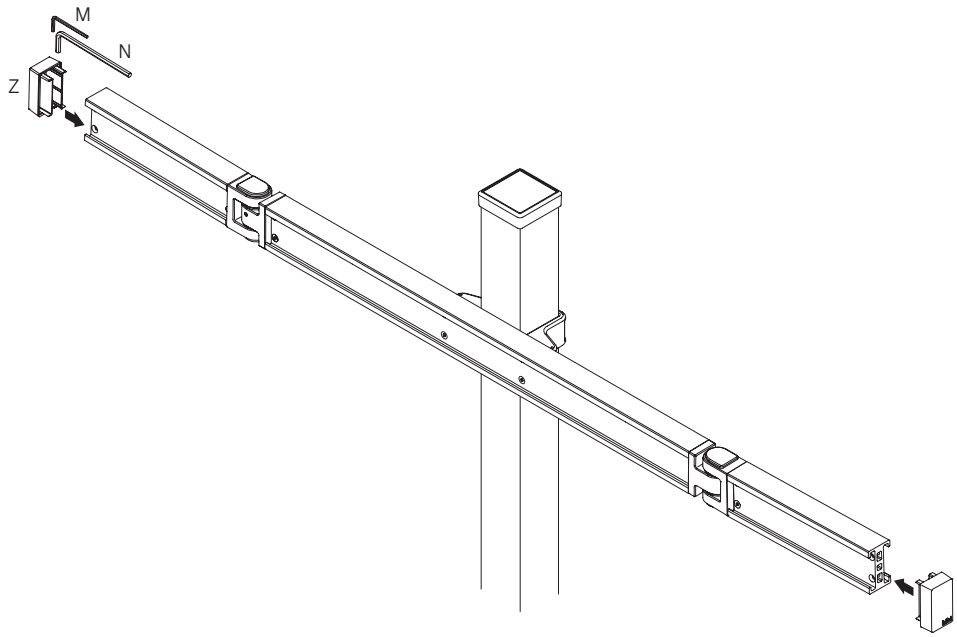
13



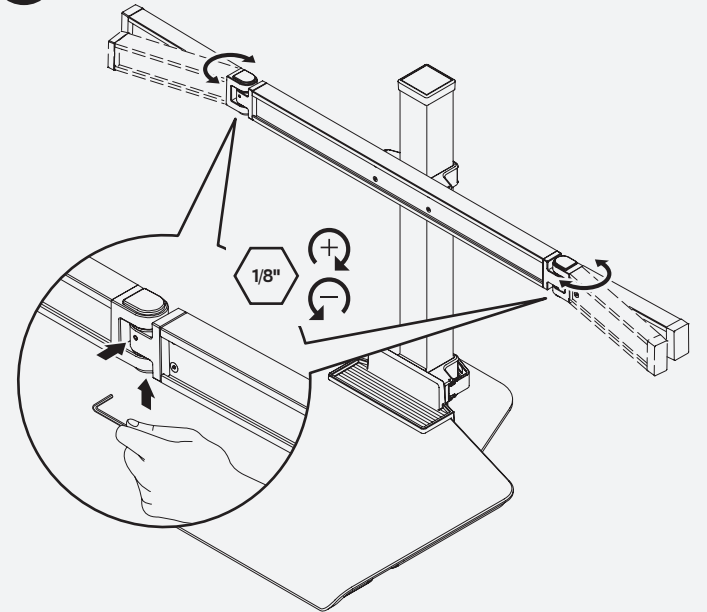
14



15

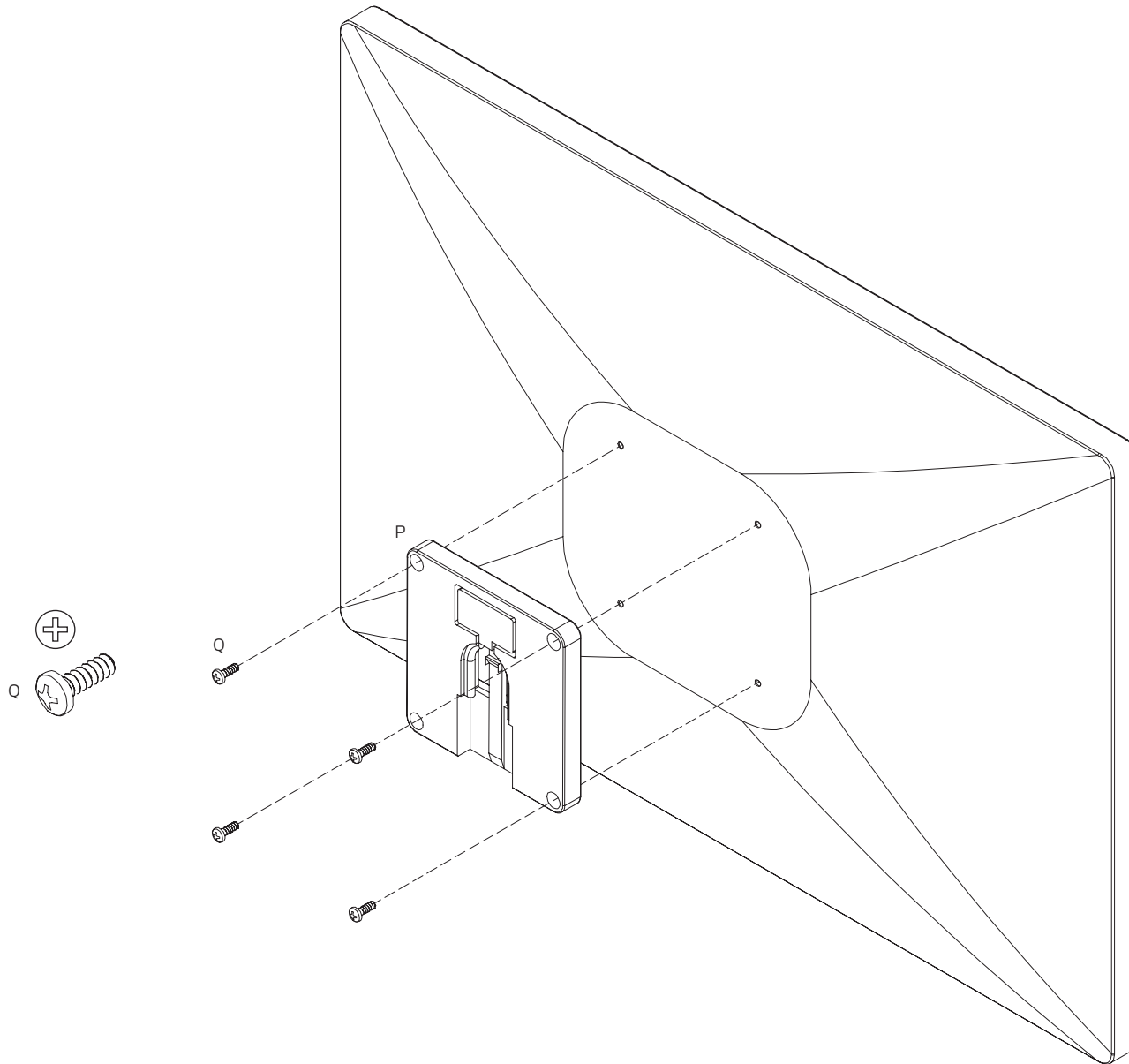


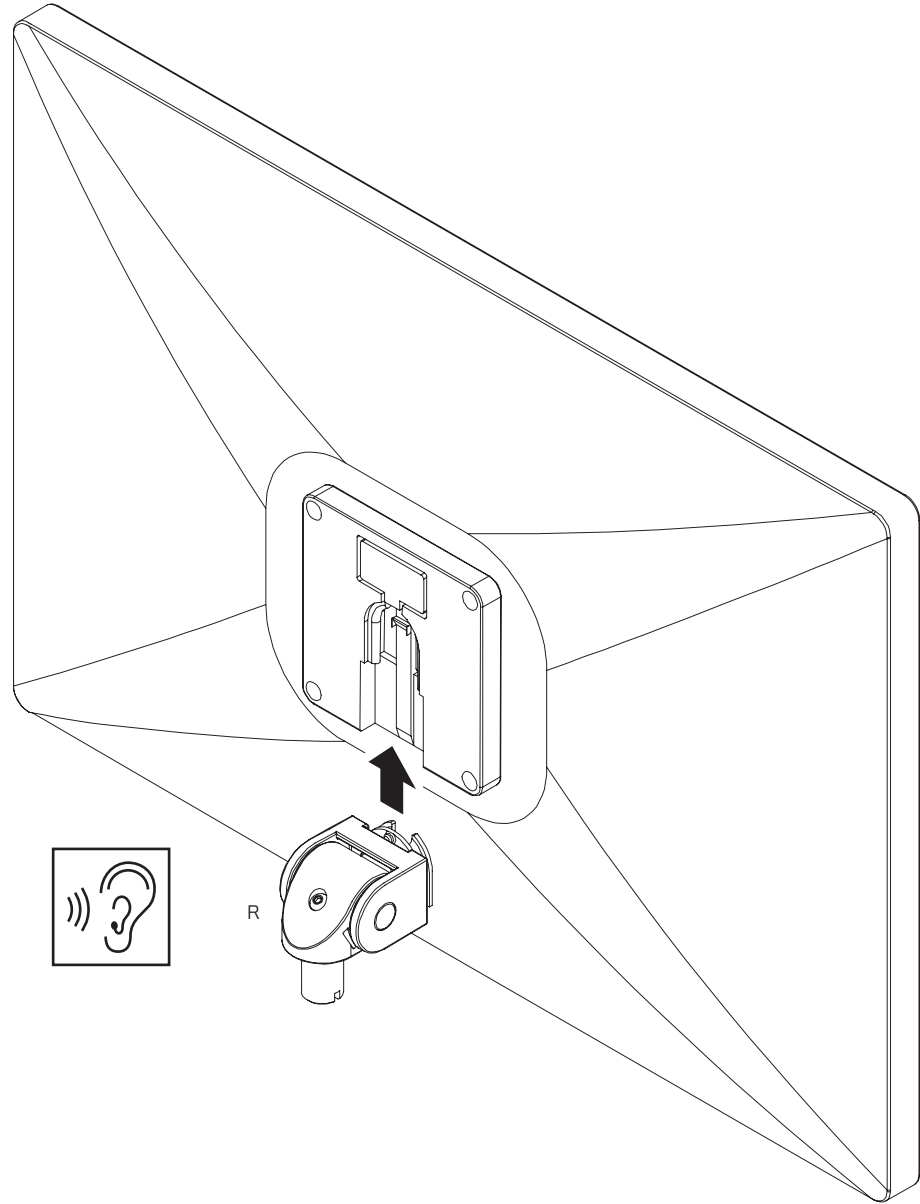
i



ARE YOU INSTALLING WINSTON WORKSTATION TRIPLE?
IF NOT, PLEASE CONTINUE TO STEP 18.

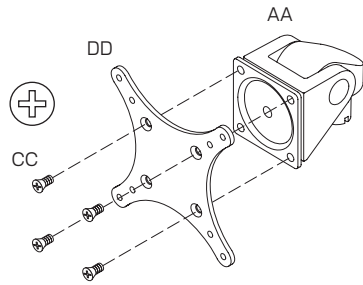
16



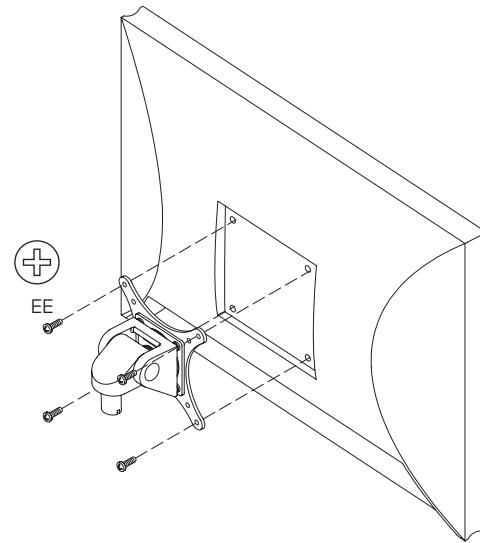


ARE YOU INSTALLING WINSTON WORKSTATION QUAD?
IF NOT, PLEASE CONTINUE TO STEP 24.

18

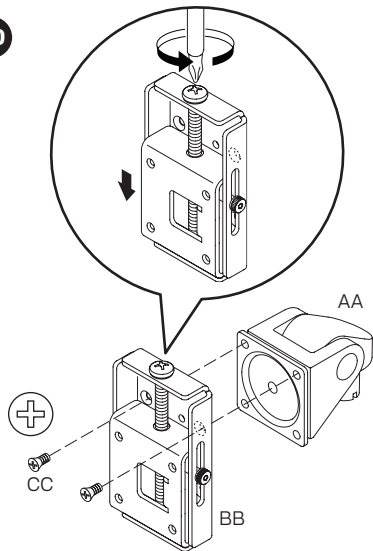


19

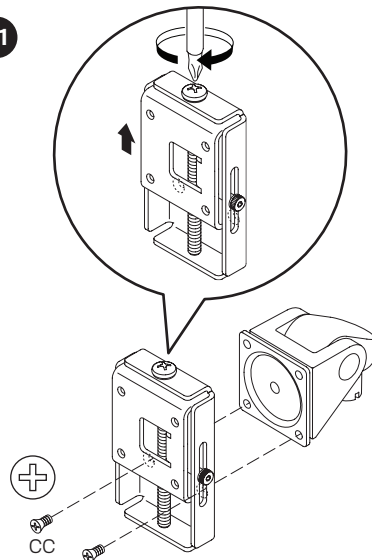


FINE TUNE HEIGHT ADJUST TILTER

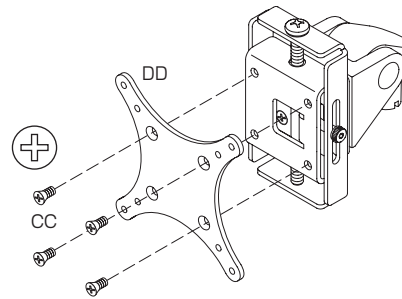
20



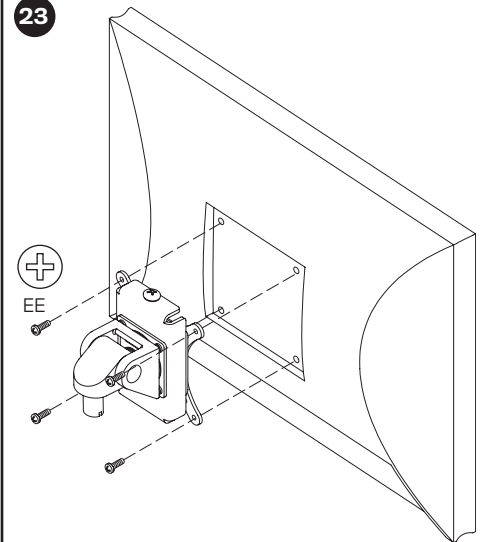
21

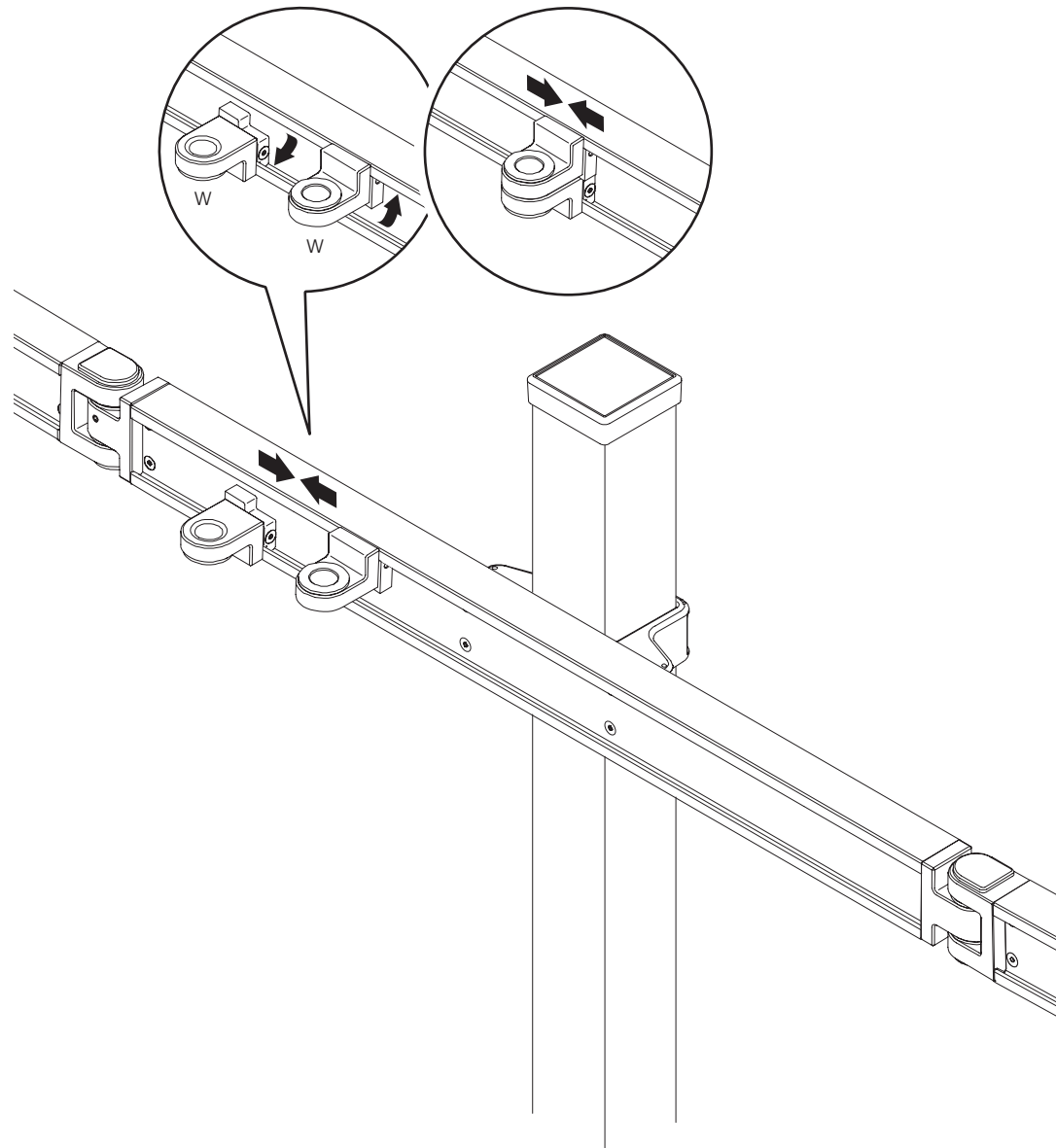


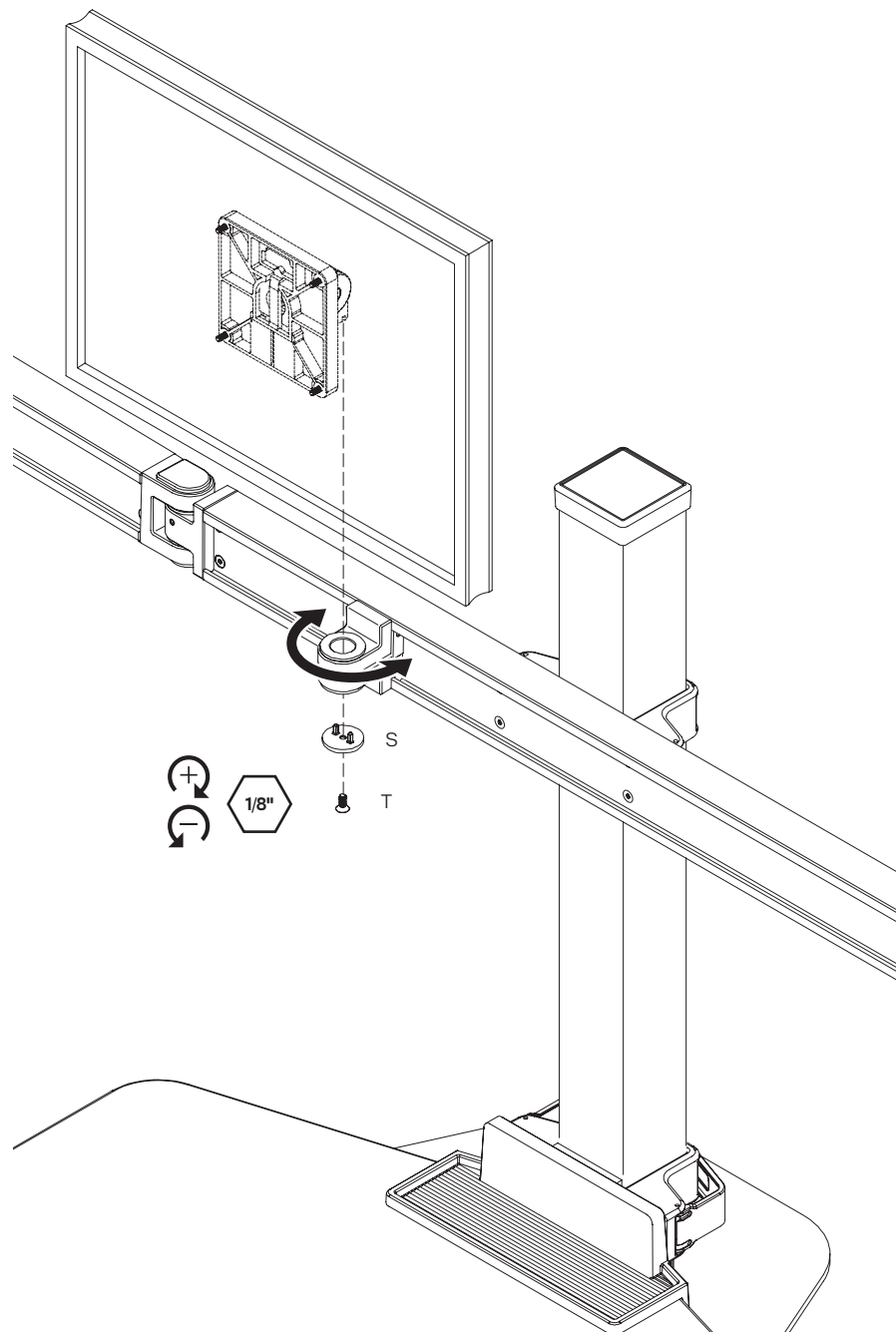
22



23







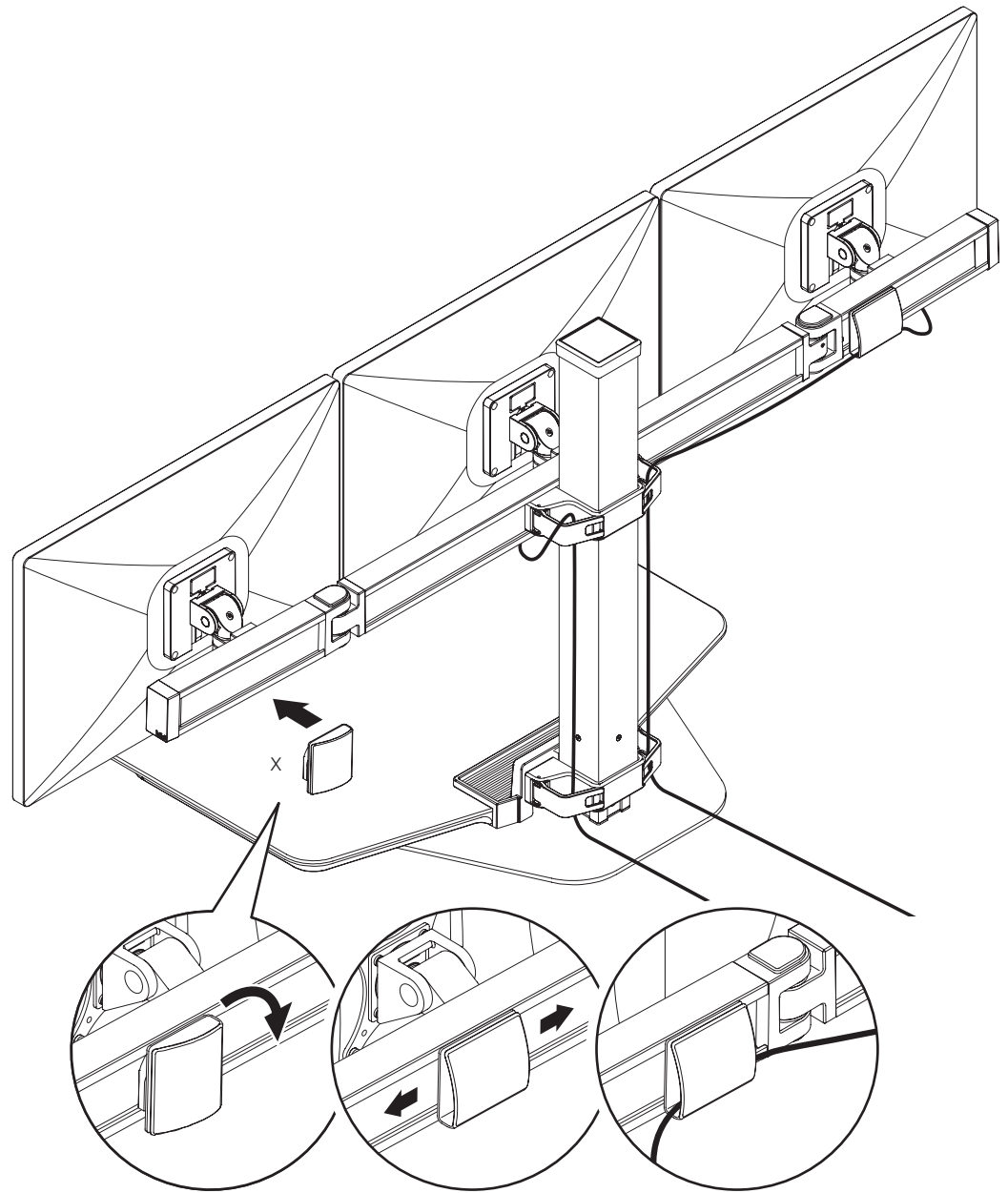
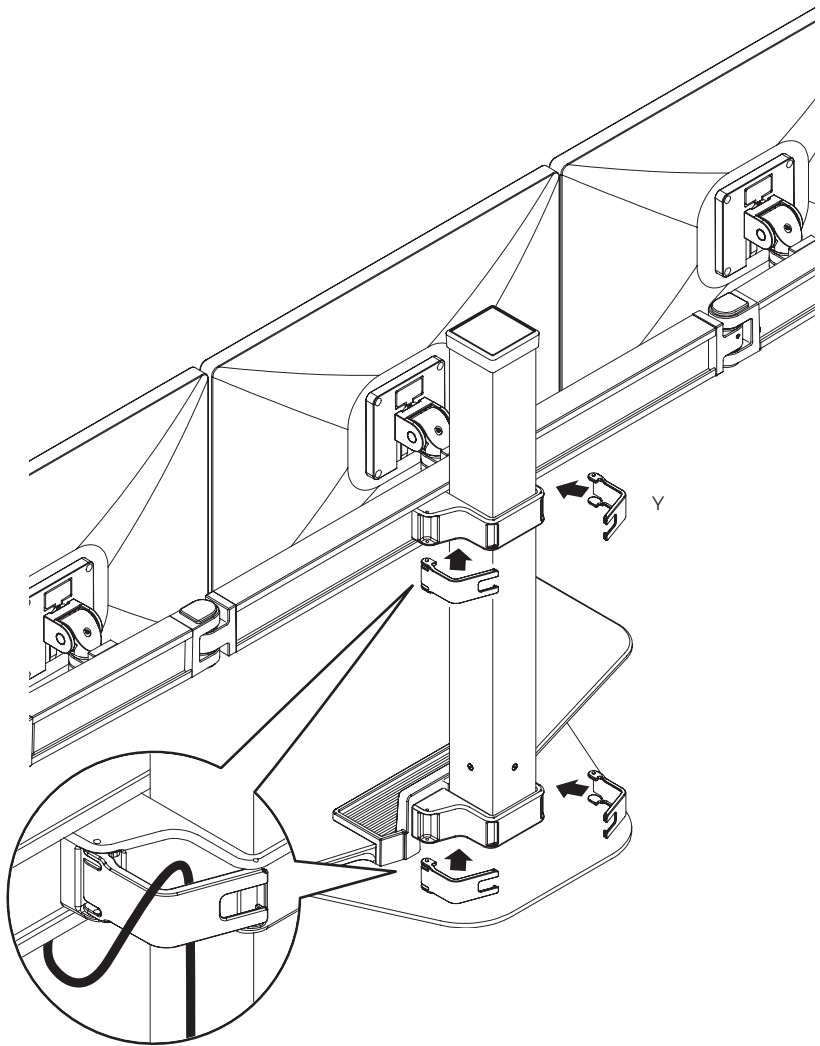
i **TILTER FRICTION ADJUSTMENT**

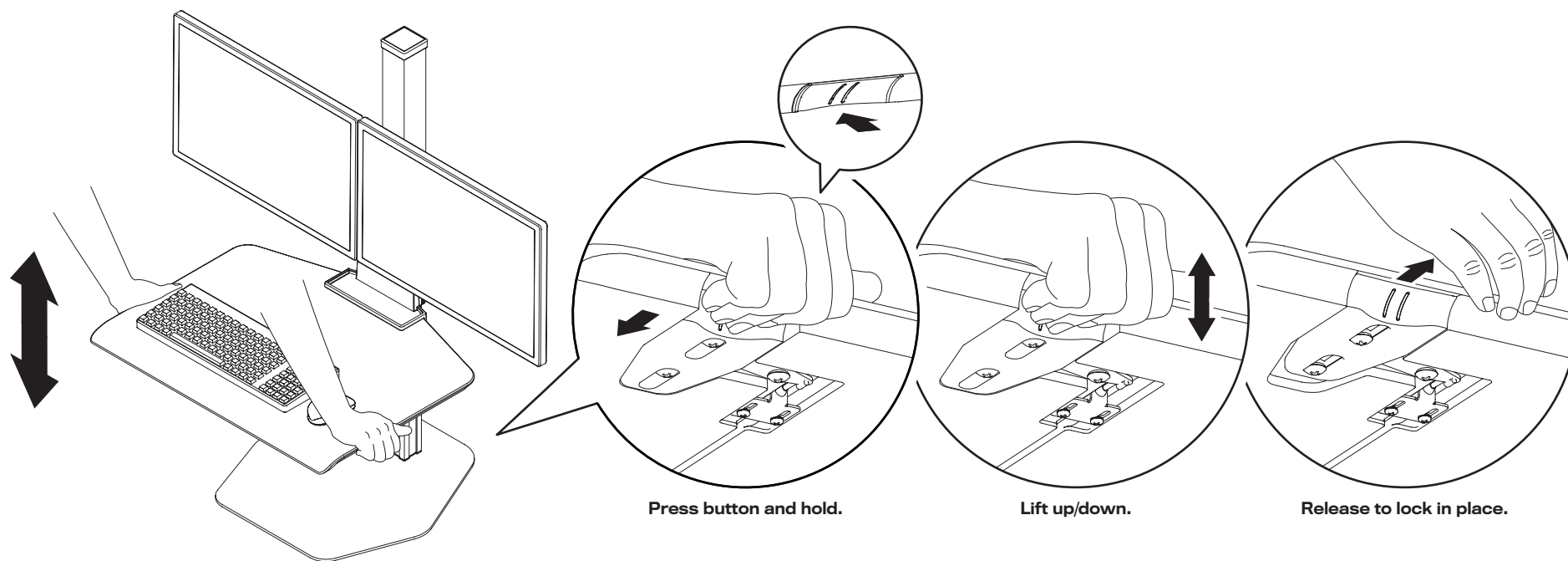
WINSTON WORKSTATION TRIPLE

A close-up diagram of the 'WINSTON WORKSTATION TRIPLE' mechanism. It shows a hand adjusting a knob labeled 'M'. The knob has a '+' sign and a counter-clockwise arrow, and a '-' sign and a clockwise arrow. A dimension of 1/8" is indicated next to the knob.

WINSTON WORKSTATION QUAD

A close-up diagram of the 'WINSTON WORKSTATION QUAD' mechanism. It shows a hand adjusting a knob labeled 'N'. The knob has a '+' sign and a counter-clockwise arrow, and a '-' sign and a clockwise arrow. A dimension of 7/32" is indicated next to the knob.





IS YOUR HEIGHT ADJUST BUTTON NOT WORKING?

If so, make the adjustments below.

- 17a** Slide workstation so that the worksurface hangs over desk edge to allow access to underneath the worksurface.
- 17b** Loosen the two screws as shown.
- 17c** Slide bracket in the direction shown and tighten screws.
- 17d** Test height adjust button - readjust by repeating the steps above as necessary.

