

WNSTE-1

WARNING



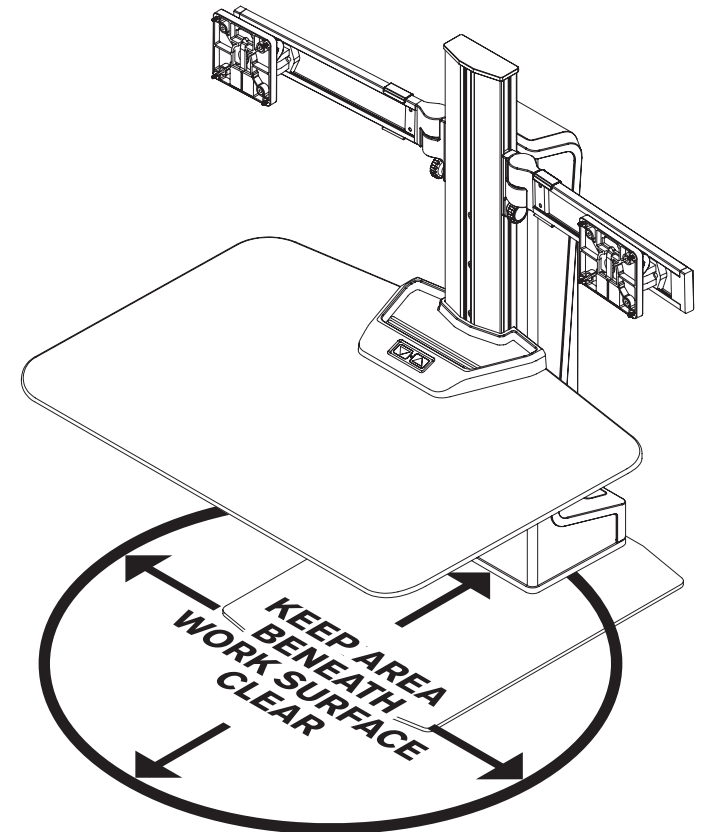
WARNING: FAILURE TO CAREFULLY FOLLOW ASSEMBLY, SAFETY, AND OPERATION INSTRUCTIONS AND WARNINGS REGARDING THIS PRODUCT MAY RESULT IN BODILY INJURY AND/OR PROPERTY DAMAGE.

Liability: The manufacturer does not accept warranty claims or liability claims for damages arising from improper use of Winston-E. For safe use, do not place any objects or body parts underneath the worksurface. Make sure no body parts, objects or furnishings are located above the Winston-E. When using Winston-E, make sure no hands, fingers or other body parts are near the lifting column or between the cross beam and worksurface. Winston-E must be set on a level, stable surface for safe use.

Additional Warning: Do not use Winston-E if it has a damaged cord or plug. Winston-E should not be carried by the cord. Pull on the plug, not the cord, to unplug Winston-E. Keep liquids away from Winston-E. Keep hair, loose clothing, fingers, and body parts away from openings and moving parts.

Switch off power supply and remove main power supply plug before installation or troubleshooting. Ensure no cables or cords can get jammed or stripped when raising or lowering Winston-E. Ensure all wires are not entangled in the Winston-E and have enough length when the unit is raised to the desired height.

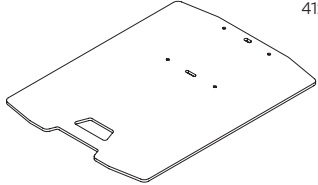
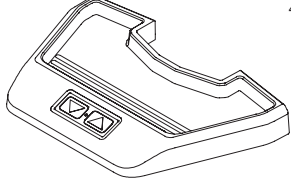
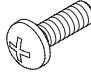
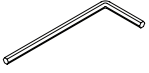
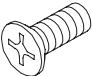
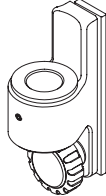
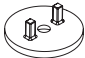
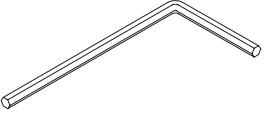
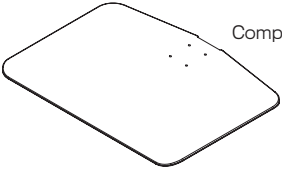

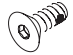
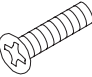
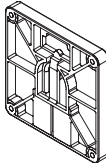
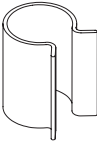
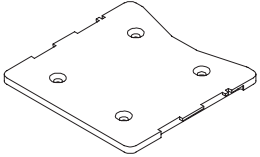
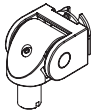

WINSTON-E IS NOT A TOY. Children should not use Winston-E. Do not crawl, lie, or move around the unit. Do not sit, kneel, or stand on the worksurface. Do not use Winston-E if you are distracted or are under the influence of medications that can cause diminished control. Winston-E is not a toy and should only be installed and used by someone familiar with and capable of adhering to the warnings and instructions.



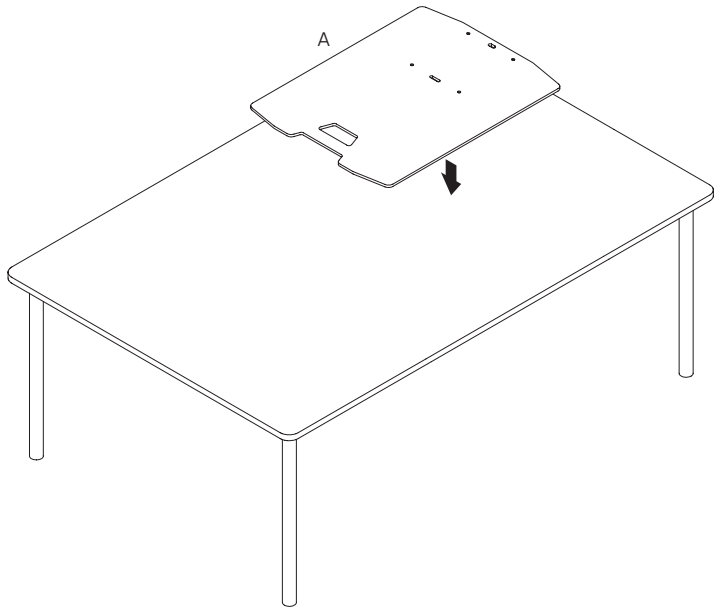
WARRANTY

Winston-E includes a 5 year limited warranty. This limited warranty covers any defects in materials and workmanship of the product. This limited warranty may not cover problems, damage or injuries caused by misuse, accidents or abuse. The manufacturer may require proof of purchase before performing any repairs or replacing products during the warranty period. This warranty is non-transferable and applies only to the original purchaser.

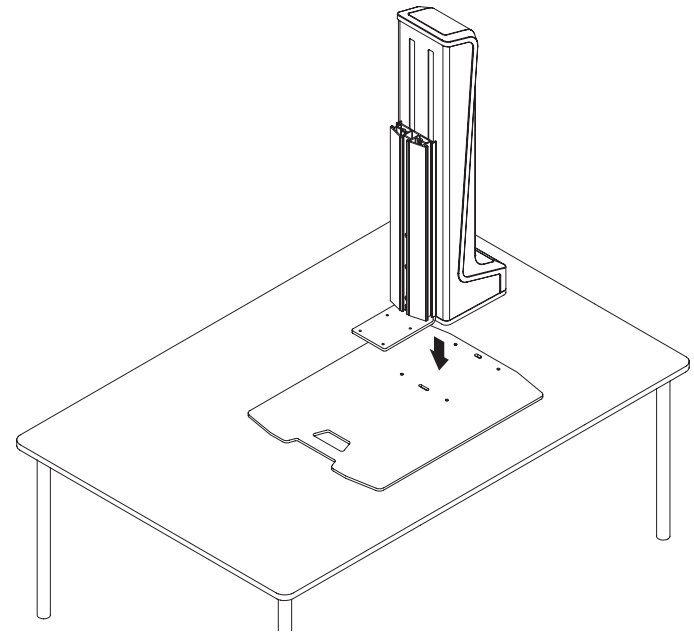
PARTS LIST

<p>A Freestanding Base 1x 412268</p> 	<p>F Utility Tray 1x 412269</p> 	<p>K M4 x 12 mm PhPHS 4x 702096</p> 	<p>P 1/8" Allen Wrench 1x 701312</p> 
<p>B M6 x 1 x 16mm FPhMS 4x 702013</p> 	<p>G Column Mount 1x 312552</p> 	<p>L Dog Washer 1x 111230-603</p> 	<p>Q 7/32" Allen Wrench 1x 701127</p> 
<p>C Worksurface 1x 111700 or Compact Worksurface 1128966</p> 	<p>H Cap 1x 112057</p> 	<p>M 10-32 x 1/2" FHSCS 1x 711240</p> 	
<p>D M6 x 1 x 25mm FPhMS 4x 711870</p> 	<p>I Quick Connect VESA Plate 1x 114808</p> 	<p>N Column Cable Clip 2x 112626</p> 	
<p>E Worksurface Plate 1x 111701</p> 	<p>J Monitor Tilter 1x 8500 Tilter</p> 	<p>O 3/32" Allen Wrench 1x 700146</p> 	

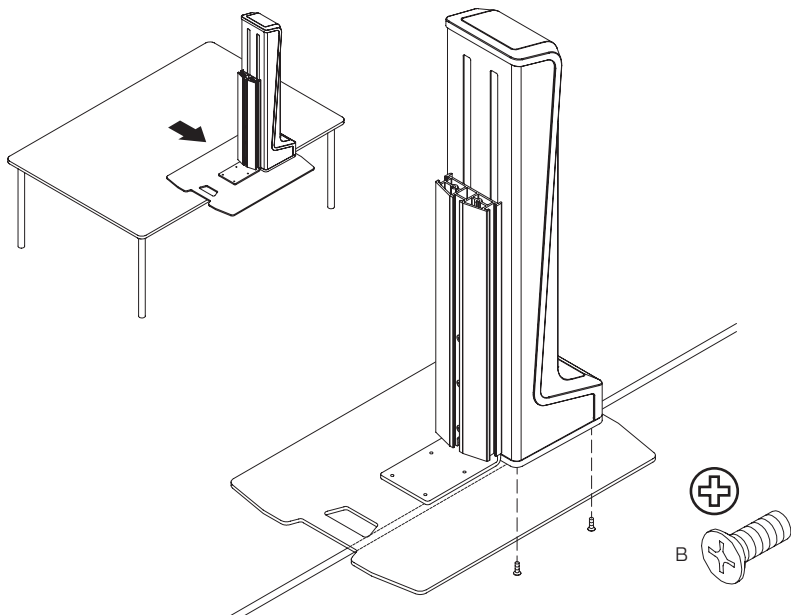
1



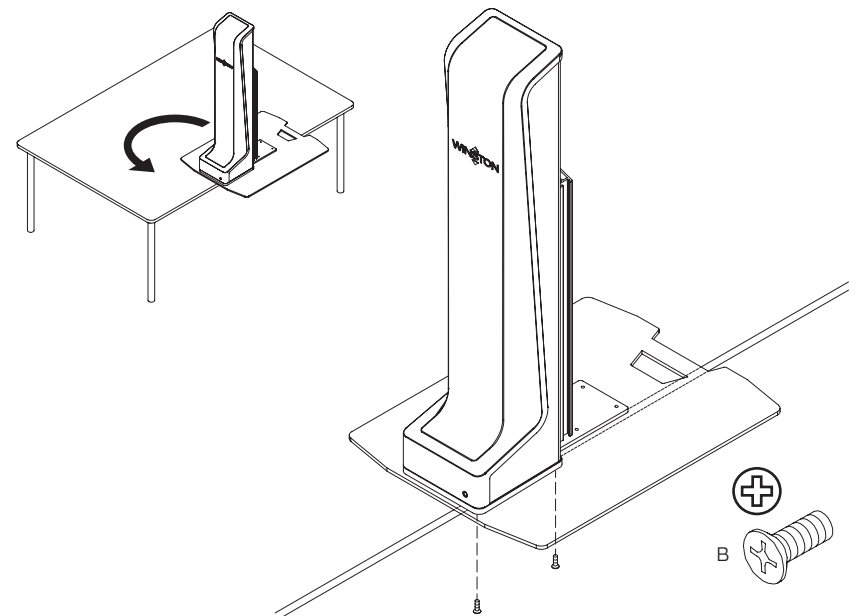
2



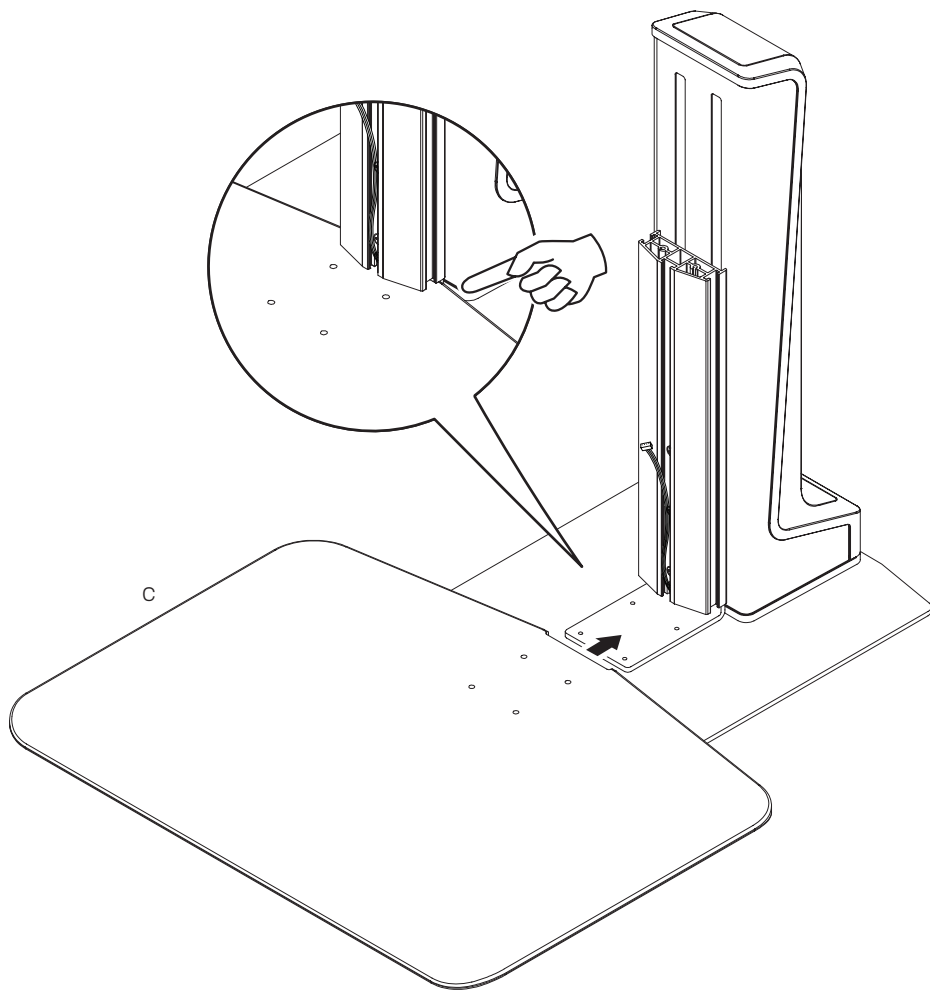
3



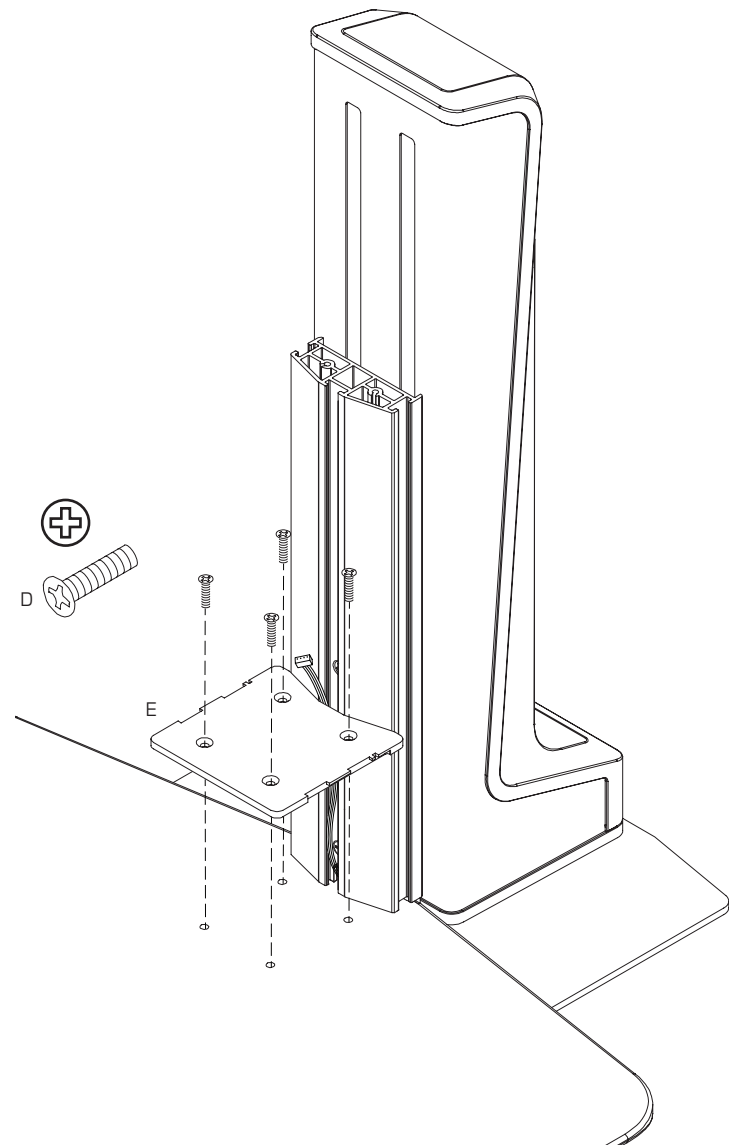
4



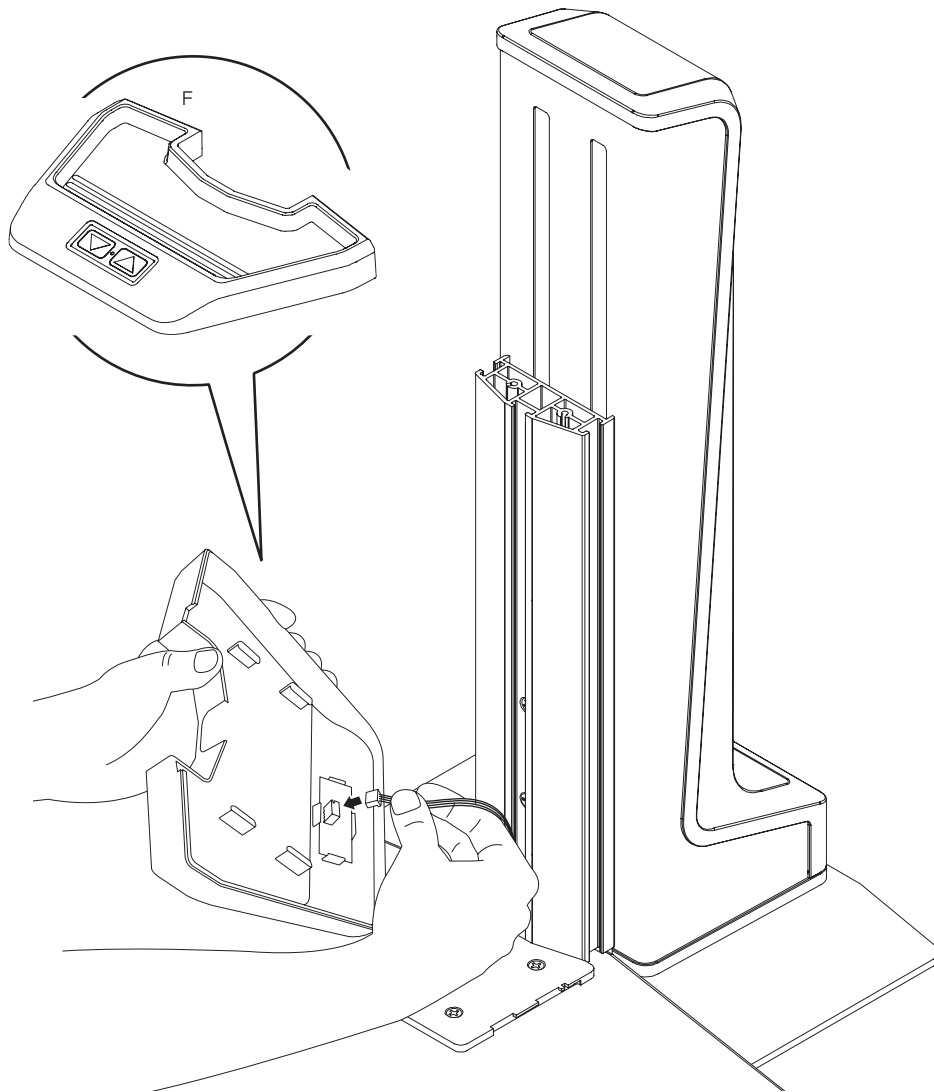
5



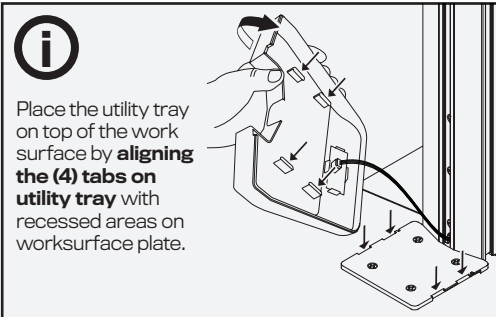
6



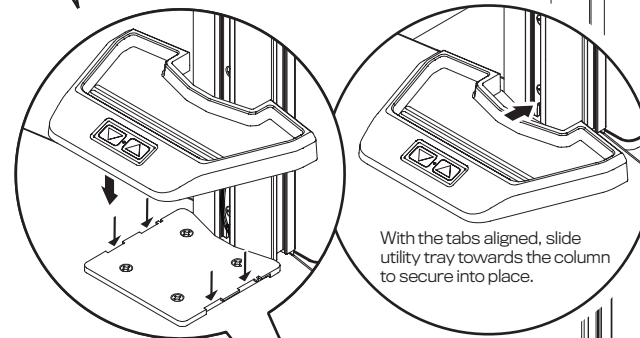
7



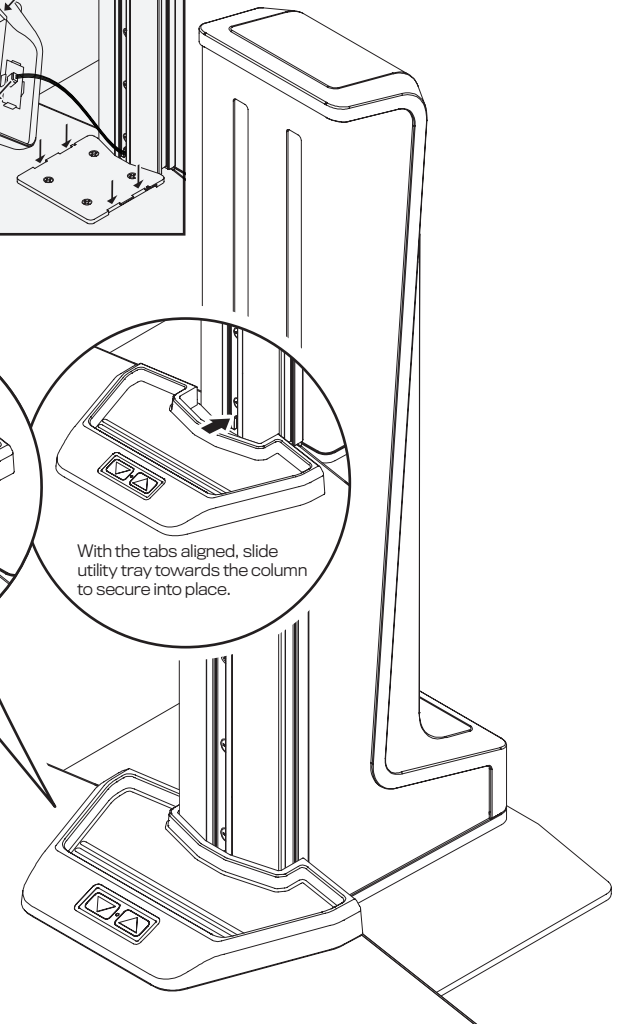
8



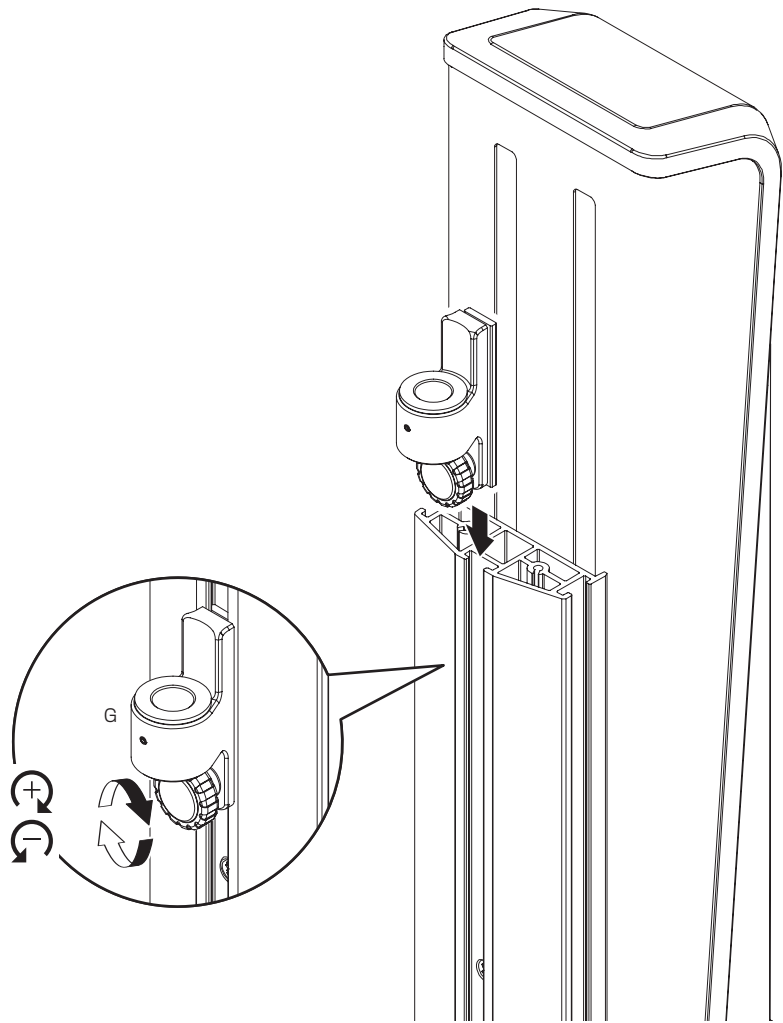
Place the utility tray on top of the work surface by **aligning the (4) tabs on utility tray** with recessed areas on work surface plate.



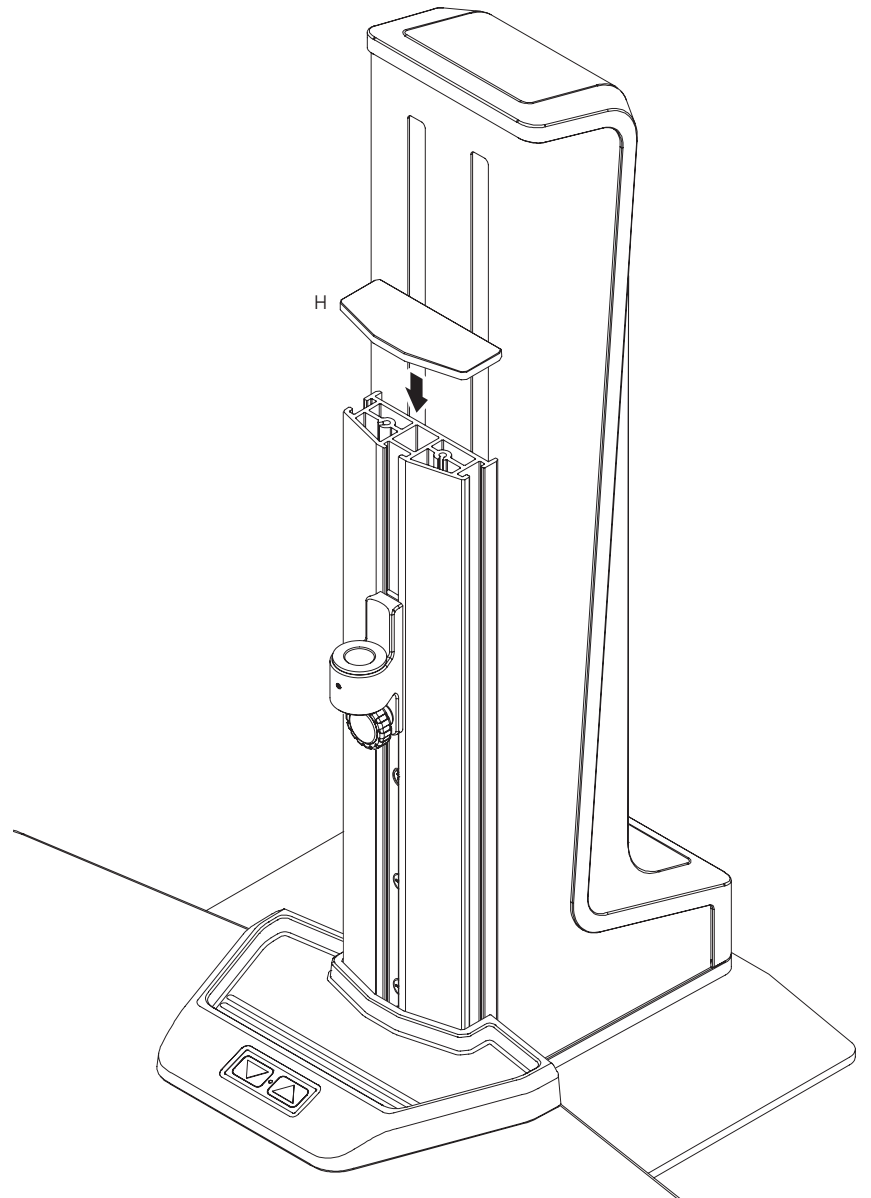
With the tabs aligned, slide utility tray towards the column to secure into place.

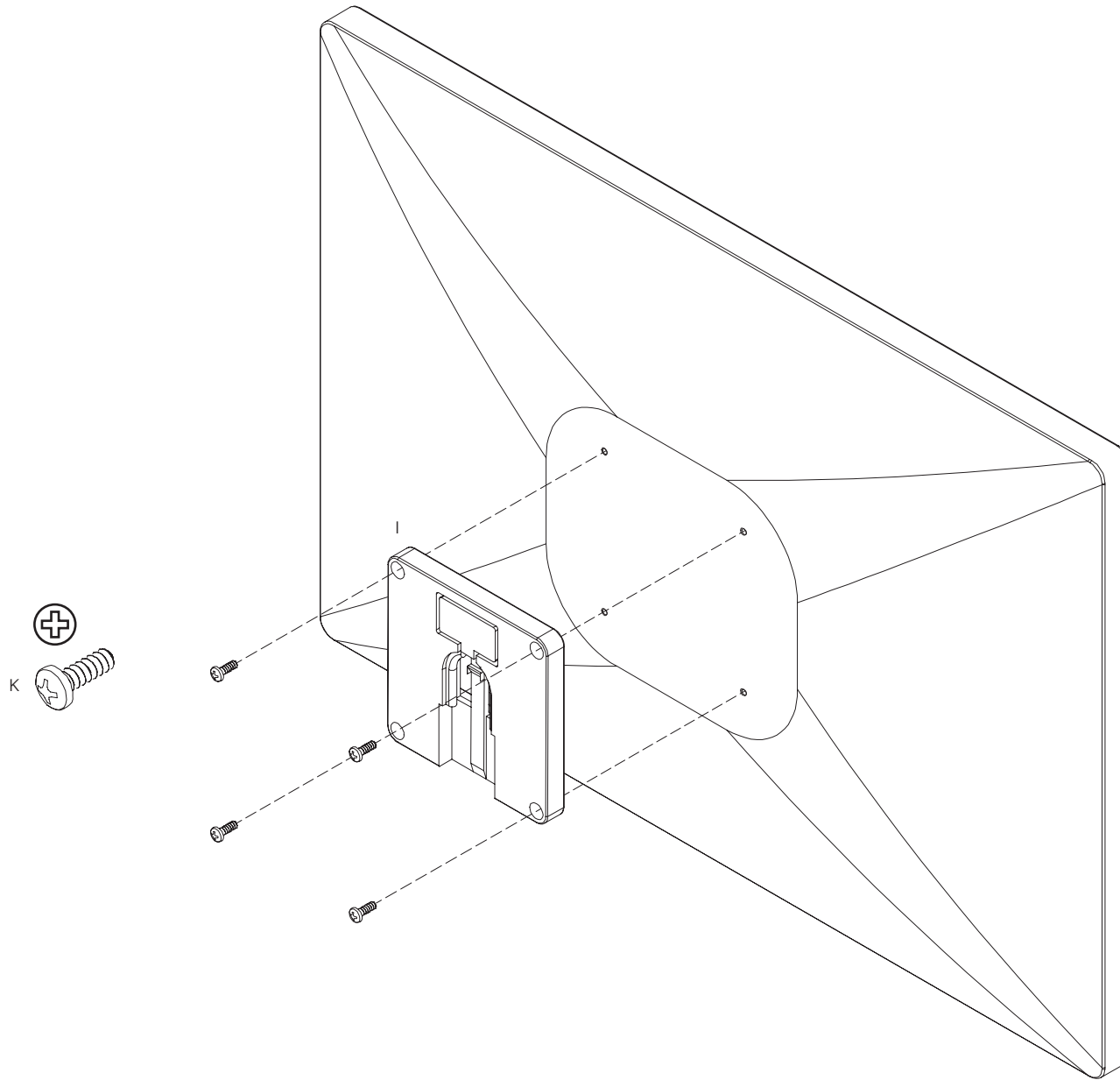


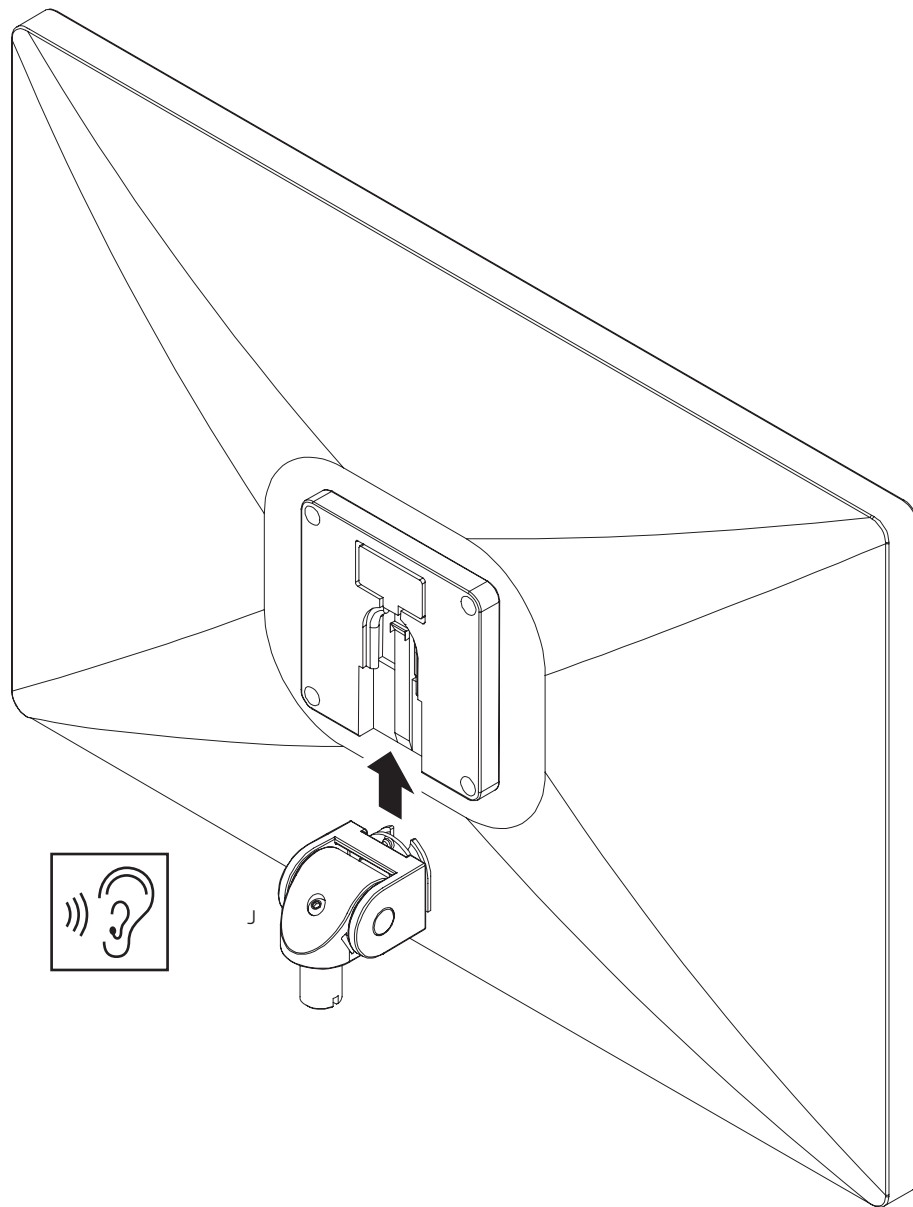
9

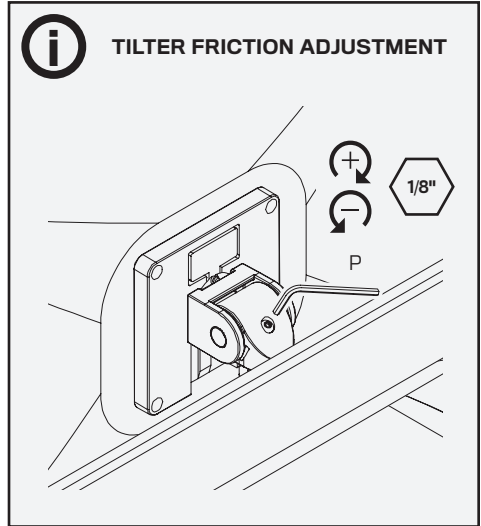
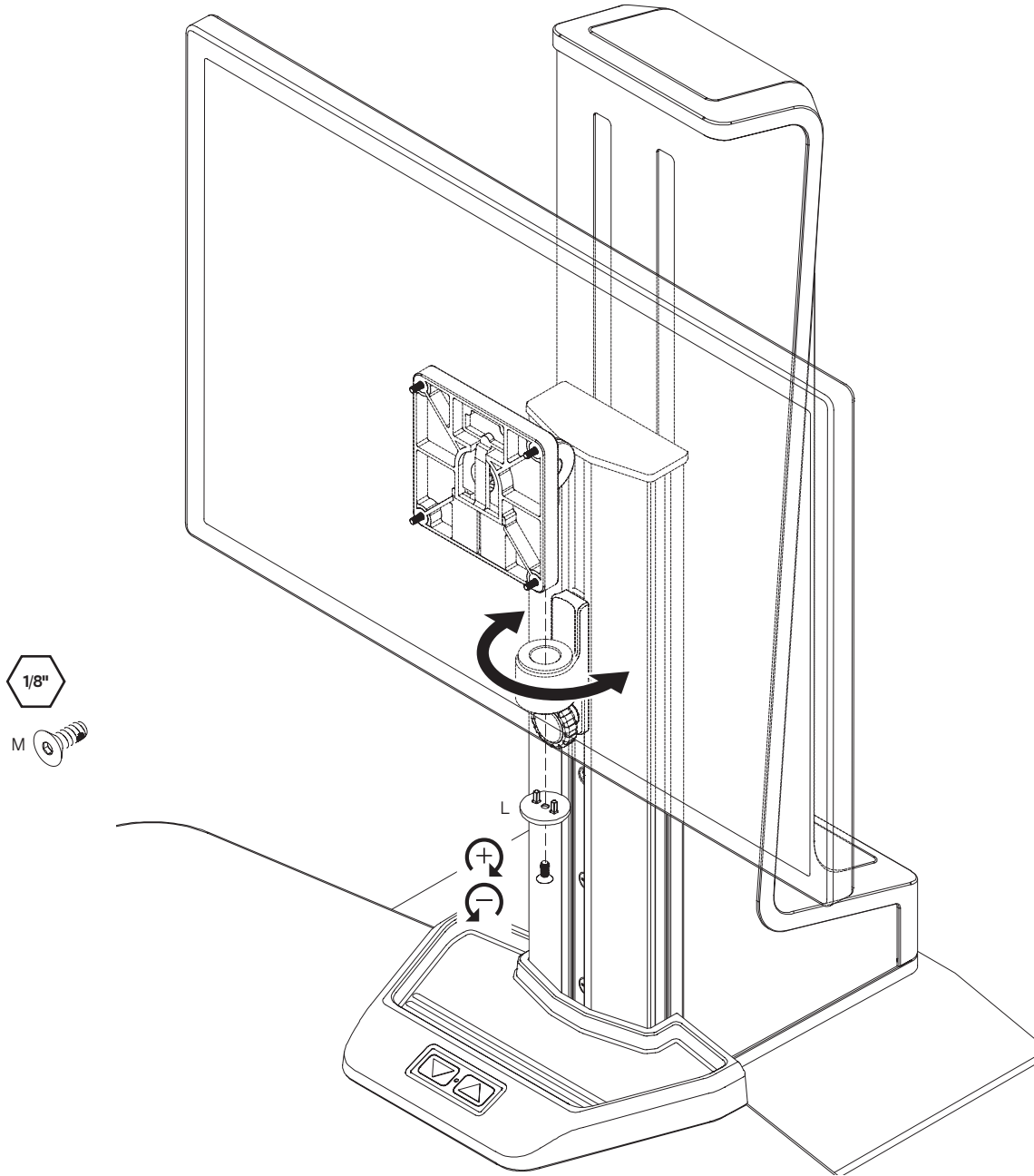


10

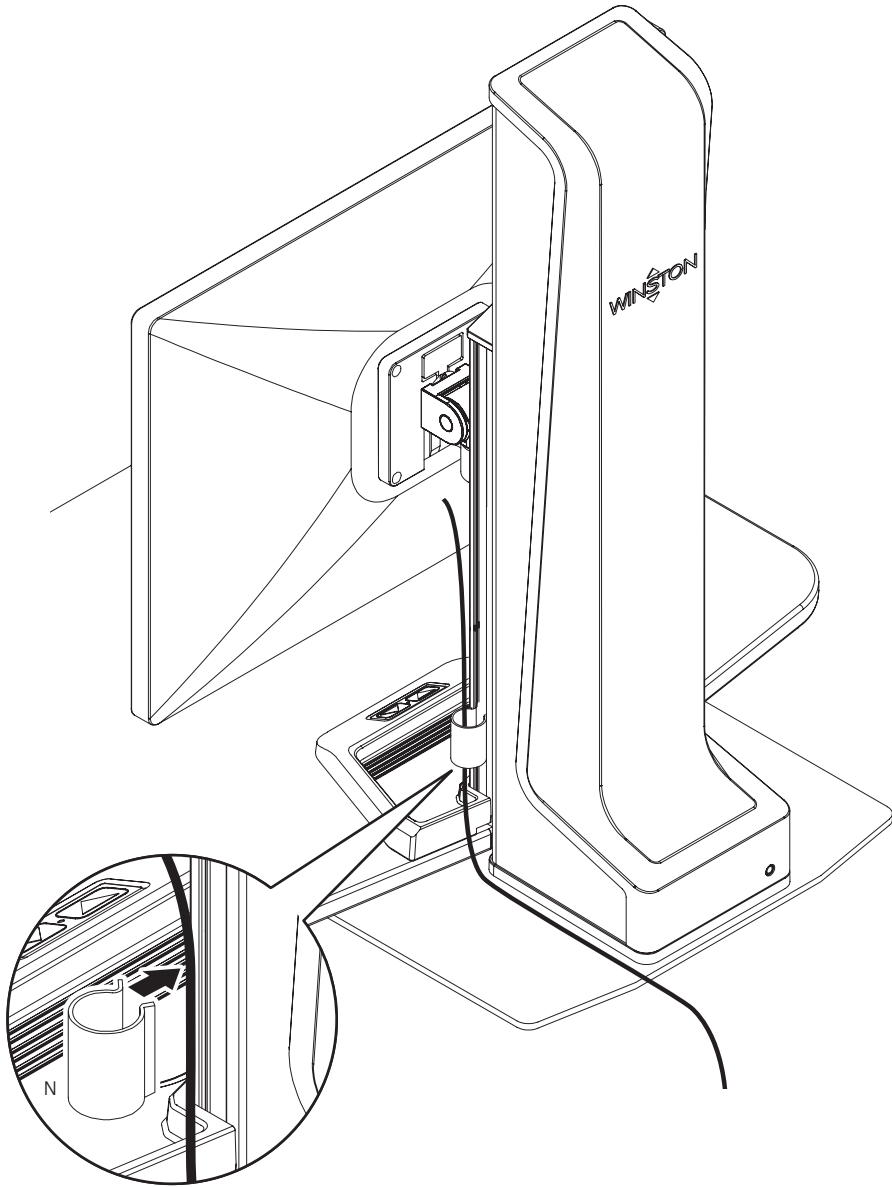








14



15

