

# Step-by-Step Guide to Using Your U-Step 2 Platform Model



**In-Step Mobility Products Corp.**

Model #: US-PC2 - PL

# Guide for Setting Up & Using Your Platform U-Step 2 Walking Stabilizer

## CONTENTS:

- A. Assembly Instructions
- B. Walking & Braking
- C. Platform Adjustments
- D. Tension Control Adjustment
- E. Sitting Down
- F. Transporting
- G. Setup After Transporting
- H. Optional Accessories
  - 1. Laser & Sound Cueing Module
    - Includes instructions on changing batteries
  - 2. Weights
  - 3. Tray & Basket
- I. Maintenance
- J. Warranty Information
- K. Other U-Step Models

## A. Assembly Instructions

1) Open the box and remove the U-Step 2 from the box.

2) Cut any plastic ties and remove packing material used for protecting the walker in shipping.

3) Release the locking clip.

4) Pull up **Height Adjustment Tubes** until the seat becomes perpendicular to the ground. *(Below left)*



Then, press the seat down until it snaps into place. *(Below)*



5) Loosen **Height Adjustment Knobs** so uprights can be installed. *(Left)*

6) Slide the platform tubes of the U-Step 2 into the top of the left and right adjustment tubes.



7) Press in **Height Adjustment Button** to lower the platforms to the desired height. It is recommended that you adjust the platforms so you can stand upright, without stooping.

8) Secure the middle bar by pulling it up and sliding it into the crossbar quick release and folding lever to lock it.



9) Tighten the **Height Adjustment Knobs** so platform tubes are secured from wiggling.



10) Install left and right handle bars and tighten bolts below the platform to secure them.

11) **Installing the backrest** – Slide the backrest into holes on the base and press in the spring loaded pins until the backrest slides in and snaps into place.



## B. Walking and Braking

The Platform U-Step 2 wheels will not roll until you release the brakes.



- 1) Squeeze the left, right or both hand brakes to release the brakes.



- 2) For maximum fall prevention and easier turning, walk within the "U" base, close to the seat.

- 3) Release hand brake(s) to stop.



### CAUTION:

While walking, be careful while going over obstacles to avoid tipping over.

**When walking over obstacles,** the U-Step 2 has a patented spring-loaded front caster that enables it to roll over obstacles, such as door molding strips and cracks in the sidewalk. It will help you ride over obstacles as high as one half-inch.



## C. Platform Adjustments

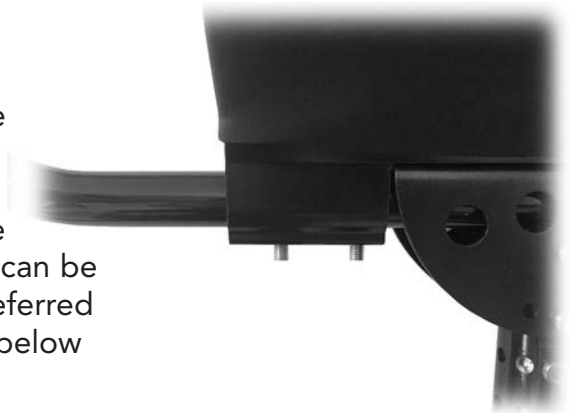
The forearm platforms can be adjusted in many ways to suit each individual's needs.

1) The handle bar length can be changed by loosening the knobs below the forearm platform and extending it or retracting it to suit your arm length.

2) The handle bar angle is typically adjusted upwards with about a 15 degree inward angle for comfort. This angle can be changed as needed/preferred by loosening the bolts below the forearm trough.

3) The distance of the reach of the brake handle can be adjusted smaller by tightening the set screw on the front of the brake handle. By making this adjustment, it might require a minor cable adjustment.

(Use a 2mm Hex wrench to adjust the set screw.)



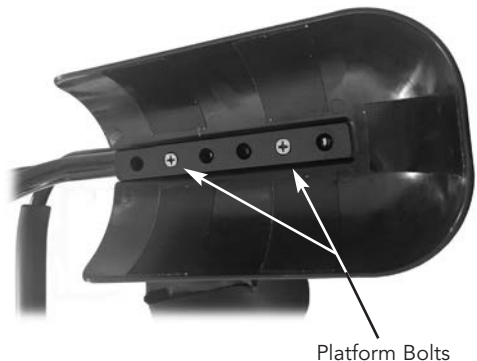
4) The platform is set in the forward position. It can be angled inward, by taking out the two rotational bolts on the stem, and rotating it inward to either the 30, 60 or 85 degree position. Reinstall bolts once desired position is selected.



5) The pitch of the platforms is set in the neutral position. You can tilt it up or down by taking out the pitch bolt and rotating it up or down. Reinstall bolt once desired position is selected.



6) Not commonly necessary but the actual forearm platform can be adjusted forward or backward. First remove padded cover that is held on by Velcro. Then loosen platform bolts. Slide platform into desired position and reinstall bolts. Finally, reattach padded cover.

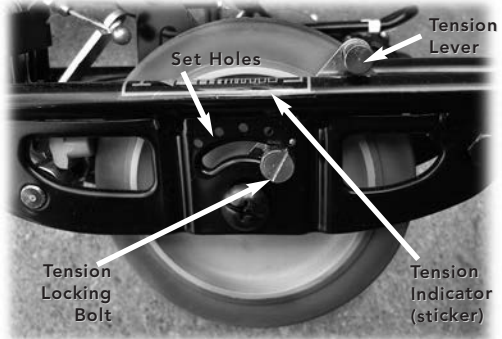




## D. Tension Control Adjustment (Optional)

1) Not everyone needs to adjust the tension control to be safe. However, if you feel that the U-Step 2 rolls too easily for you, use the tension control to add resistance. Place your U-Step 2 on the surface where you walk most often. You will need more tension on a smooth surface such as flooring than you will on carpet.

2) Using a flat head screwdriver, loosen the locking bolt about two turns.

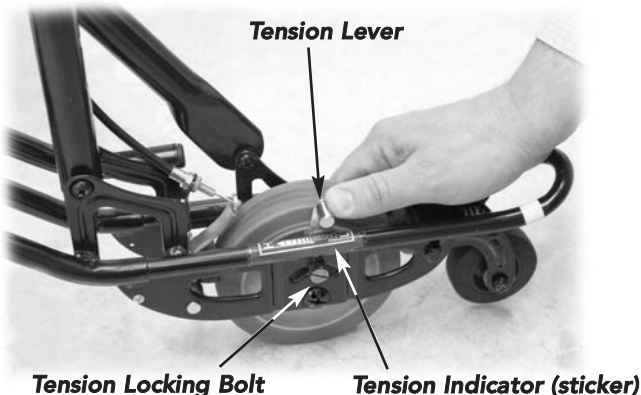


**Tension Control Lever - Notched**

3) The Tension Control Lever is initially set to Low (L). Push the Tension Control Lever forward (towards the H) to increase the tension. Re-tighten the tension locking bolt making sure the lever settles into one of the set holes.

**Note:** If you do not position the lever in a set hole, the tension lever might rub against the side of the gray wheel.

4) Remember to squeeze one of the hand brakes while testing the walker. Test the rolling speed of the walker; if you need more or less resistance, adjust accordingly.



## E. Sitting Down

- 1.) To sit down U-Step 2, release crossbar locking lever. (See right)



...and lower the crossbar to the side. (See below)



- 2.) Carefully turn around and sit down.



**CAUTION:** Remember to reconnect the crossbar before walking.



**WARNING:** While sitting, DO NOT push off with your feet to move the U-Step 2. This is unsafe.

## F. Transporting Your U-Step 2 Platform Walker

- 1) With the U-Step 2 in front of you, raise the release lever in front of the seat and tilt the seat upward.



Release Lever



- 2) Reach down and pull up on the horizontal bar that has a sticker on it reading **"Lift Here to Fold"** until the U-Step 2 folds up.



- 3) Secure the locking clip to stop the walker from folding. Simply rotate the clip until it attaches to the backrest tube.

- 4) Hold the U-Step 2 by the side to place it into your vehicle.



## G. Setup After Transporting

- 1) Release the locking clip holding the U-Step 2 in the folded position.
- 2) Allow the U-Step 2 to open – with the base on the ground.
- 3) Press the seat down in the middle until the Release Lever snaps into place.



**SAFETY NOTE:** It is very important to press the seat down until the Release Lever fully snaps into place.

## H. Optional Accessories

### 1) *Laser and Sound Cueing Module — Operating the Unit*

The module primarily helps those with Parkinson's freezing but also helps anyone with an irregular gait pattern. The Laser and Sound Cueing Module can help you get started, normalize your walking, and increase your stride.

To activate the Laser Cueing function, press the red button on the unit attached to the right handlebar. You should hear a series of clicks and see the red power indicator light blinking. A bright red laser line will appear on the floor to guide your steps.

In this mode, without Sound Cueing activated, the upper black button adjusts the time period before automatic laser shutoff to conserve battery power, and the lower black button adjusts the clicking volume. Pressing the upper button extends the shut-



off period from 4 to 28 minutes in increments of 4 minutes; each click that sounds after pressing the button indicates 4 minutes of operating time in effect (from 1 to 7 clicks). Pressing the lower button lowers the click volume in steps to the softest setting, then recycling to the loudest setting.

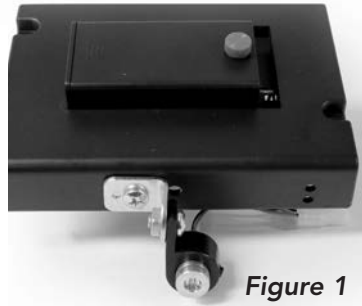
To activate Sound Cueing, press and hold the top black button in for a few seconds until you hear a steady clicking. In this mode, the two black buttons increase or decrease the cadence (speed) with each brief press. The cadence varies from 59 to 130 beats per minute over 15 increments.

The Sound Cueing only operates while the Laser Cueing is on. When Sound Cueing is activated, both the sound and laser

remain on indefinitely. Turning the Sound Cueing off requires shutting the entire module off, by pressing the red button.

### ***Installing and Replacing the Cueing Module Batteries —***

Use either alkaline or lithium "AA" batteries. Remove the small screw holding the battery cover on (Figure 1) and slide the cover to the left to remove it. Note the position of the two batteries (Figure 2), ensuring that the the "+" and "-" sides are installed in opposite directions. The unit will click either three or five times when the batteries are installed correctly. If the unit clicks three times, it is shutting off. If the unit clicks five times, it is turning on and the power indicator will blink.



**Figure 1**



**Figure 2**

### ***2) Weights —***

Although the U-Step 2 is very stable, we do offer weights as an accessory to increase the stability of the walker.

These weights easily secure to the base of the U-Step 2 using Velcro straps.





### 3) Tray and Basket Accessory —

A. Remove standard backrest by pressing in two push pins and pulling backrest out of frame. If your unit has a cord holding things together, you will need to cut this cord. (Figure 1)

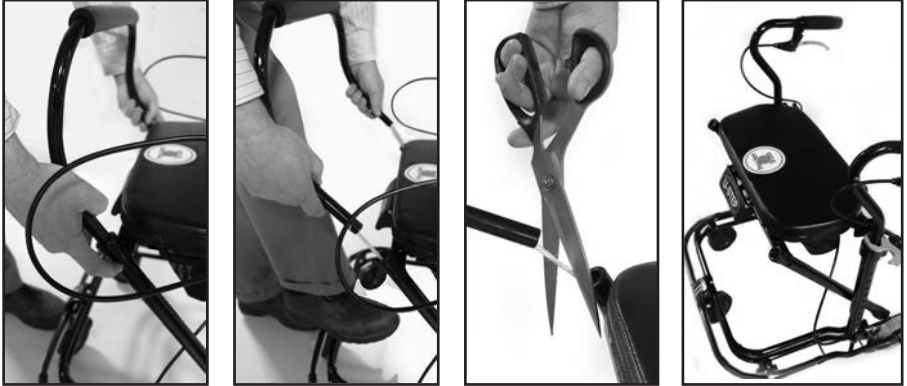


Figure 1

B. Install the new backrest by pushing in the two push pins and sliding it into place until the push pins click into place.  
(Figure 2)



C. Remove blue tape securing rails to basket.

Figure 2

## Use of Tray/Basket Accessory:

1. Position over the seat for easy access to the basket and tray.  
(Figure 5)



Figure 5



2. Push it forward, off of the seat, before sitting down.

(Figure 6)

### WARNINGS:

1. The **Basket** can carry up to 5 pounds when positioned over the seat. Do not have more than 3 pounds in the basket, when sliding it forward to sit down. This increases the chance of tipping the U-Step over.
2. Pull the **Tray/Basket** accessory toward you before opening the tray for access to the basket.



Figure 6



## I. Maintenance

Clean your Platform U-Step 2 with a clean, damp cloth when necessary.

Periodically check some of the moving components for wear. On a daily basis, check over the U-Step 2 by trying the brakes. Please call your U-Step 2 representative or call **1-800-558-7837** if you experience any problems with the tension of the wheels or with braking.



**NOTE:** DO NOT pull on the cabling. Pulling on a cable can cause it to become kinked or stretched out of shape, which could prevent the braking system from functioning properly. A damaged cable should be replaced. Please have your U-Step 2 serviced if the cabling becomes damaged.

## J. Warranty

Your Platform U-Step 2 Walking Stabilizer is warranted for a full year to work properly and be free from any defects in materials and workmanship. Additionally, the frame is warranted for three years from the date of purchase.

In the event of a defect covered by this warranty, we will, at our option, repair or replace the device. In the event of a problem, you will need to return the walker for repair at your cost. We will fix the product or replace it and send it back to you at our cost.

This warranty does not cover device failure due to owner's misuse or negligence.

In the event of a minor problem, In-Step Mobility Products will attempt to resolve the issue by sending replacement parts.

If you have a question about your U-Step 2 or this warranty, please contact In-Step Mobility Products at **1-800-558-7837**.

## K. The Three U-Step Models



US-PC2

\* Laser Projected Red Line (optional)

### Standard Model

Ideal for most people with balance issues. Squeeze-to-go braking system.

\* **Optional Feature on All Models:**  
Laser & Sound Cueing Module

### Platform Model

Ideal for Stooped Posture, weak upper body, stroke, brain injury. Highly adjustable for optimal setup.



US-PC2-PL

### Press-Down Model

Ideal for those with weak or no hand strength to squeeze a standard hand brake. To go, either press down on the handle release or use the flip bar. **Your choice of left or right brake handle.**



US-PC2-PD

**My Notes:**

## In-Step Mobility Products Corp.

**1.800.558.7837**

8048 Monticello Ave., Skokie, IL 60076  
walkers@ustep.com    www.ustep.com



### **U-Step 2 Walking Stabilizer Specifications**

#### **Passive Control Specifications Model #: US-PC2-PL**

Model number .....	US-PC2-PL
Medicare code (HCPC) .....	#E0147
Weight capacity .....	375 lbs
Height adjustment range.....	
.....accommodates users 4'10" to 6'2"	
Height customization .....	available
Size of Padded Seat.....	19" x 8"
Height from floor to seat .....	.22"
Overall width .....	.23"
Length .....	.25"
Turning circle .....	.29"
Weight .....	.27 lbs
Material of frame .....	
.....Tubular Steel and Aluminum	

— Patented —

**Medicare  
Reimbursable!**