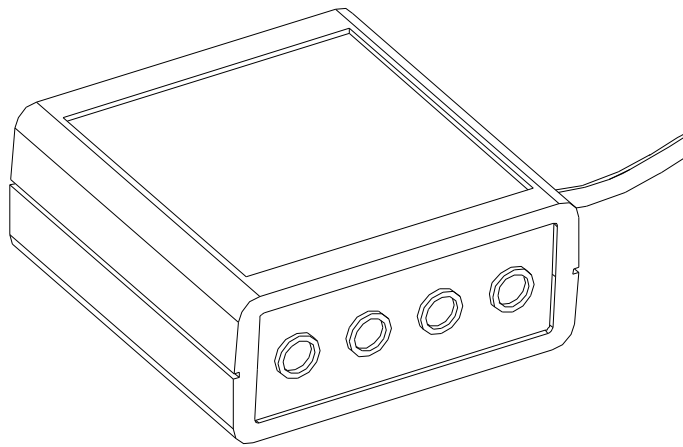


BJ-858 BJOY Click

User's Guide



 **BJ Live!**
smart solutions that suit you



1_Introduction

BJOY Click is a mouse controlled exclusively by switches. It has four switch inputs to control the movement of the pointer and two additional inputs to activate different types of clicks.

The main features of the device are:

- Mouse controlled by switches.
- Four switch inputs to control the pointers movement. Easy control of 4-way movement.
- Two switch inputs to customize clicks actions.
- Can be completely configured to the user's needs and abilities. "Plug and Play" device. Does not require any additional software: the OS automatically recognizes it as a mouse..
- Compatible with all the major OS with USB connection (Windows, Mac, Linux, ...)
- Regular configurations offered by the OS for the mouse can be realized (pointer's icon, click options,..)
- Configurable and customizable with the BJOY Configuration. The software is compatible with Windows and Linux and is included with the product. For Mac users, the device can be set up on a Windows or Linux computer.
- Configuration is saved in the device, not on the computer, making it easier to use on different computers.

2_Equipment description

BJOY Click comprises the following parts:

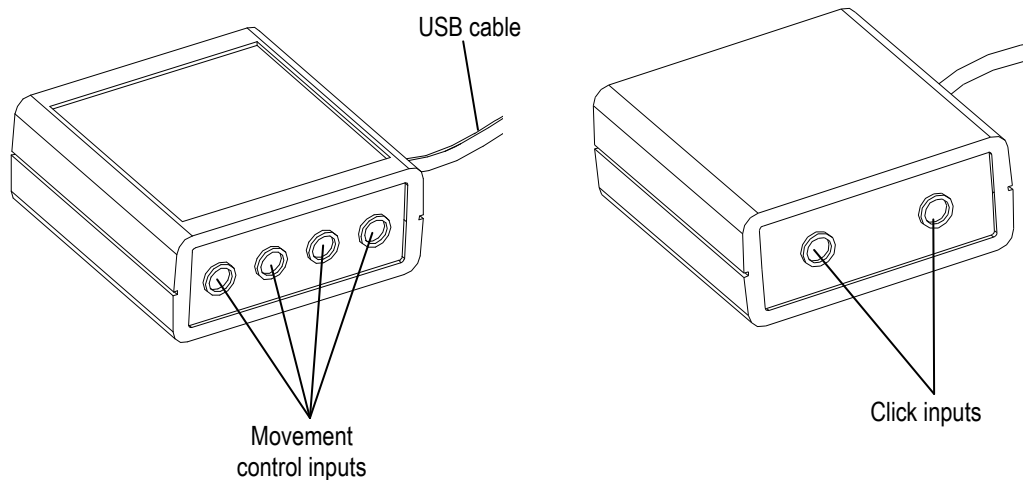


Fig. 1 BJOY Click parts

The device has four switch inputs where you can connect a wide range of switches (3,5mm) to control the up, down, left and right cursor's movements (fig 2). Speed and acceleration of the cursor movement can be set up with the BJOYBJOY Configuration Software, included with the product.

It also has 2 switch input for the click's actions. By default, the actions for this inputs are left and right click (fig. 2). You can configure them with the BJOYBJOY Configuration Software included with the product so they can perform complementary actions as double click or drag & drop action.

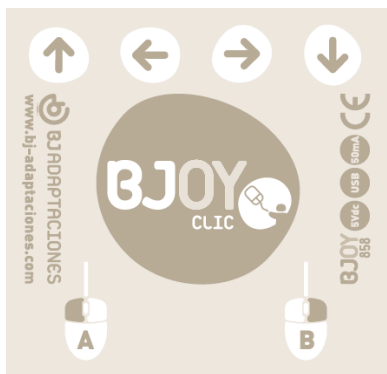


Fig. 2 BJOY Click label

3_ BJOYBJOY mouse use

In order to use BJOYBJOY mouse, USB cable must be plugged in one of the computer's USB ports. Once the computer has recognized the device, you can start to use it.

Connect the switches to the different inputs and press them in order to perform the corresponding mouse actions.

4_ BJOY configuration software

The BJOY configuration software allows you to configure the mouse behavior according to the user needs.

4.1. Installation

To install the program, you must follow these steps:

- 1º Insert the CD included with the BJOY mouse in the CD-ROM drive of your computer or download the *BJOYSetup.exe* file from:

<http://www.bj-adaptaciones.com/en/products/bjoy-stick-a>

NOTE: If using the CD and your computer does not have CD-ROM, you can copy the CD contents on a USB stick or any other removable drive.

- 2º **If using the CD** the installation should begin automatically. If it does not, browse to the CD or removable drive and click on *BJOYSetup.exe* file. **If using the web page**, go to section "Downloads" and click on "BJOY Software". Save the *BJOYSetup.exe* file in your computer and double click to start installation.
- 3º When the installation begins the wizard will guide you through the process. It is recommended to close all other programs during the process. You must click "Next" to continue.
- 4º You can choose a different path for the installation file and create a shortcut to the program in the Start Menu and Desktop.



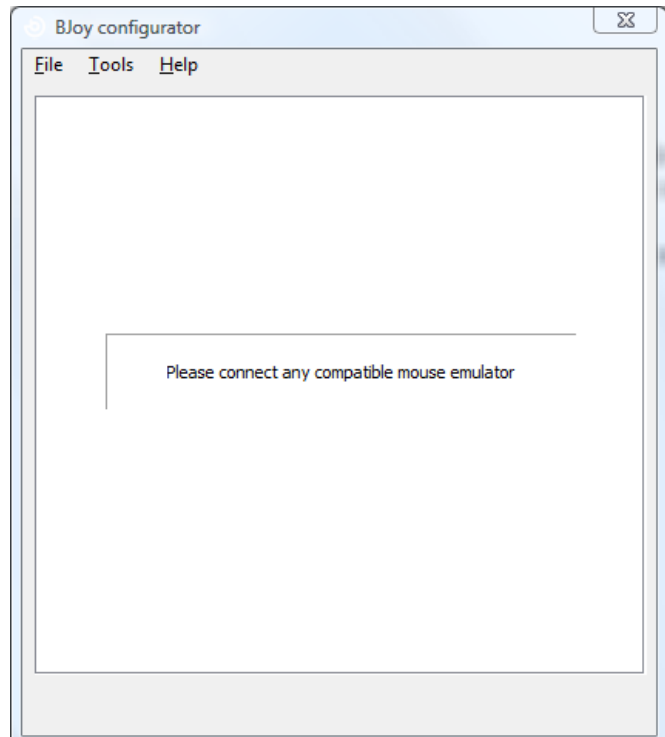
5° Once you have selected your installation preferences, click "Install" to install the program on your computer.

6° Once installation is completed, click "Finish" to exit.

4.2. Configuration

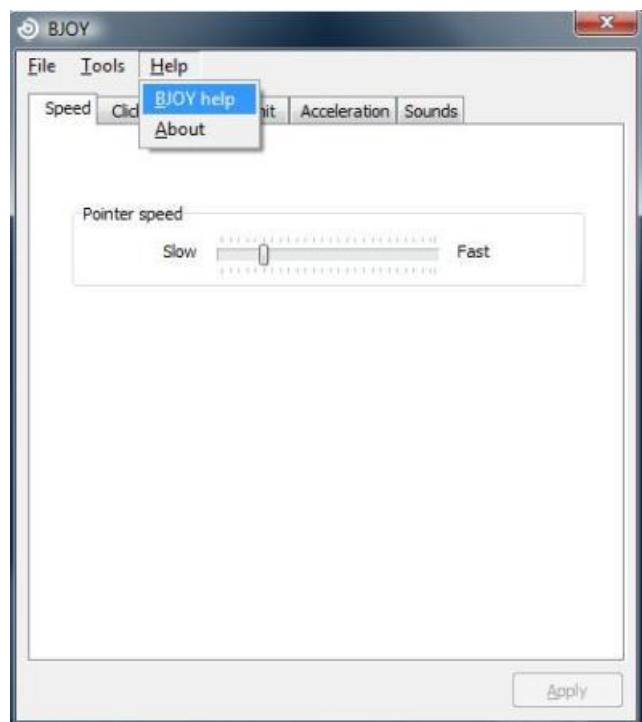
IMPORTANT: Once the software is installed in your computer, in order to access to the multiple settings options you must have a BJOY device connected to your computer.

In case you do not have any BJOY device connected, the following screen will appear:



IMPORTANT: if you want that the settings are applied to the BJOY device, click on the "Apply" button that appears at the right bottom of the window.

The instructions for using the BJOY Software are available from the "Help" menu:



4.3 Save a customize setting

To save a setting after making any customization, follow these steps:

1. Select the "File" menu
2. Select "Save Settings"
3. In the next screen, assign a name and a location to save the file. Accept making click on the "Save" button.

4.4 Loading a configuration

To reload a saved configuration in order to modify it or save it in the device, follow these steps:

1. Activate the "File" menu
2. Select "Load settings"
3. Find the file corresponding to the stored configuration (files are saved with the extension ". BJOY.") Click on the "Open" button in the same screen.

To load the configuration on the device you must click on the "Apply" button.

4.5 Language settings

To change the language of the program, just follow these steps:

1. Activate the "Tools" menu.
2. Select "Change language"
3. Choose your preferred language and validate clicking the "Accept" button.

5_Device Maintenance.

For maintenance and cleaning of the device, please consider the following precautions:

- Do not connect the device to any other type of connection than USB ports.
- To connect and disconnect the device always hold the connector. Never do it pulling the cable .



- Pay special attention when you put the device in a support in order to prevent a fall or a hit.
- Avoid forcing the head hold screws.
- To clean the equipment do it with a slightly damp cloth. Do not use abrasives substances.
- Avoid liquids from entering inside the joystick box as they can seriously damage your device.
- This equipment is not designed for outdoor use.
- In case of damage do not manipulate the device.

6_Features.

- USB connector.
- Operating voltage: 5V.
- Operating current: 50mA
- Size: 67 x 67 x 28 mm.
- This product complies with European Directives 2004/108/EC, Conformity Statement available on the website indicated in this manual.

7_Disposal of the product

- At the end of the product's lifecycle neither the product nor its electronic accessories (e.g. the USB cable) can be eliminated together with other domestic waste.
- To avoid possible environmental or human harm which could be caused by uncontrolled waste disposal, separate these products from other types of waste and correctly recycle them. This will promote the sustainable reuse of material resources.
- Consumers can contact the establishment where they purchased the product or the relevant local authorities in order to obtain more information about how and where they can be ecologically and safely recycled.



