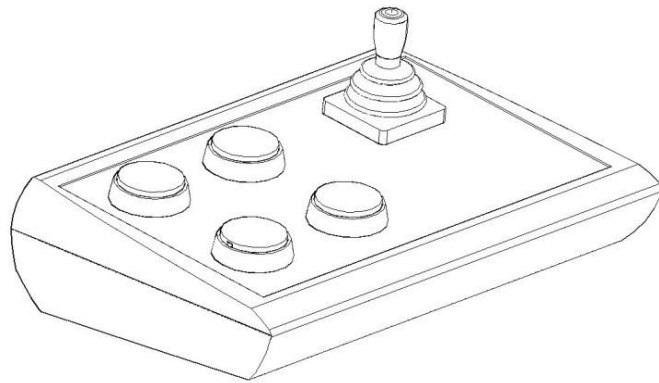


BJ-857-A BJOY Stick - A

User guide



 **BJ Live!**
smart solutions that suit you



1_Introduction

BJOY Stick A is a joystick mouse with a sturdy design and a full range of configuration options that allow the users to set it up according to their individuals needs. The device is specially designed for people with poor strength in arms and hands.

The main features of the device are:

- **Sensitive analogical joystick** similar to the wheelchair's joystick, which needs a **minimum action** to work.
- **Four large accessible coloured buttons** for easy selection and different mouse clicks: right click, left click, drag & drop and double click.
- A **plastic keyguard** for the buttons is included. The guard is easily removed if not required.
- **Customizable covers and icons** for the buttons.
- **Four switch sockets** for external 3.5mm switch access if needed.
- Easy movements control: **4, 8 or free directions**.
- Speed dependent from the action performed on the joystick.
- **Sturdy and non-slip** during use.
- The device can be **orientated easily** so it is adjusted to the user's position.
- **Plug and play** device compatible with Mac and PC USB connections.
- The device can be set up with the regular options that OS offers for the mouse (change cursor's icon, clicks' options, etc).
- Use the **configuration software included** to:
 - Adjust the speed, sensitivity, acceleration and auditory feedback.
 - Orientate the device easily so you can adjust it to the user's position.

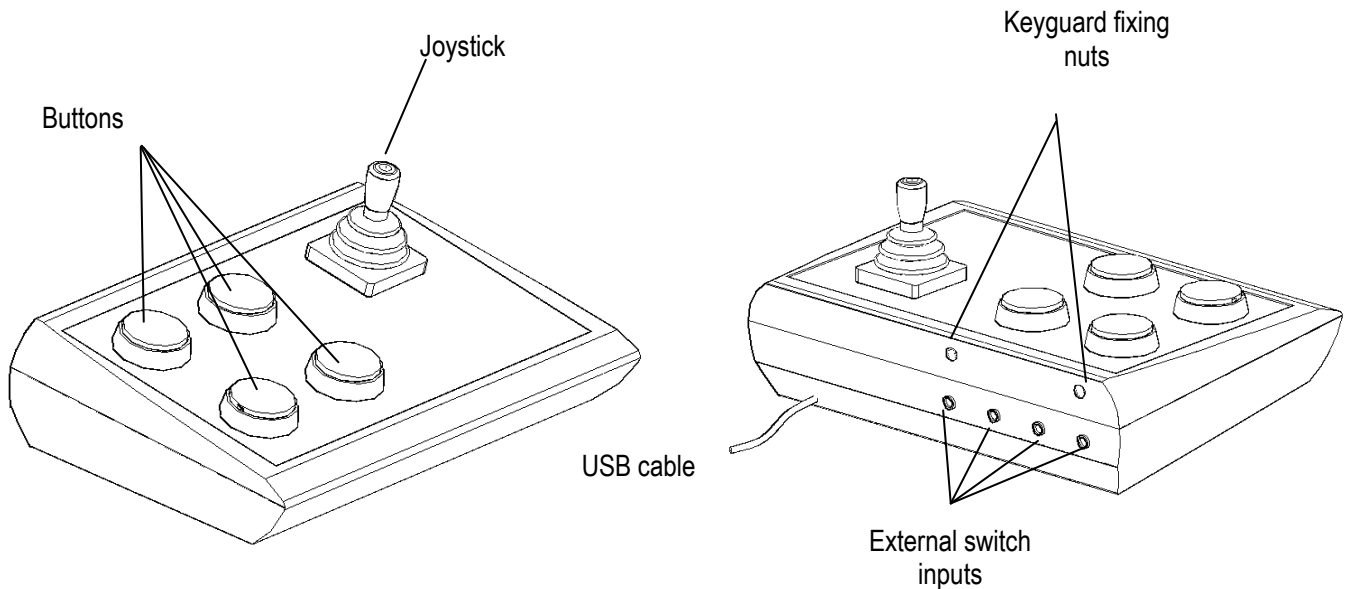
- Determine the time needed for a button press to be considered valid.
 - Configure the drag and drop function as a long press on the button you select.
 - Configure the joystick directions to simplify access for people with inaccurate movements.
- The configuration software is compatible with Windows and Linux.
- For Mac users, device can be set up in a Windows or Linux computer.
- **Settings are stored in the device**, so that it can be used on different computers with no need to reset the personal configuration each time.



2_Equipment description and installation

2.1 Equipment description

BJOY Stick A mouse is made up of the following parts:



The joystick allows the cursor to be moved in all directions. The cursor's speed depends on the inclination of the joystick.

The device has four buttons to perform the clicks and actions of a conventional mouse: left click, right click, double click and drag and drop (equivalent to keeping the left button pressed).

You can determine the action for each of the buttons using the BJOY Configuration Software. The function assigned by default on the product is:

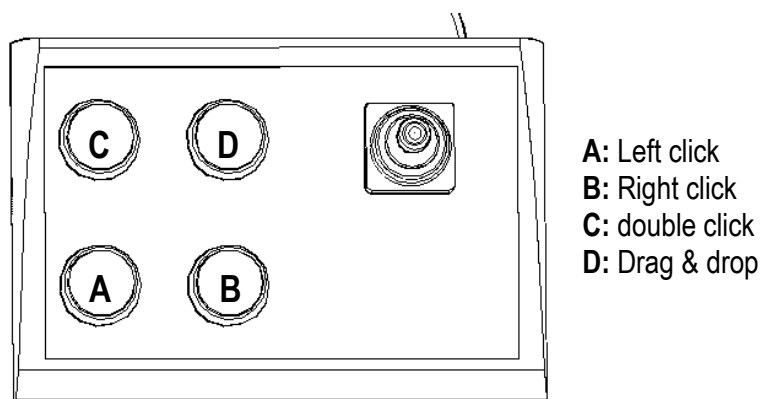


Fig.2 Function assigned by default

The four switch inputs provide external switch access to the device. Each switch input is associated with one of the buttons of the device, i.e. both have the same assigned action. Switch inputs are labeled A, B, C, and D.

2.2 Cover assembly

BJOY Stick A mouse has **methacrylate keyguard** for the buttons that helps avoiding the involuntary clicks.

To mount the keyguard, you must fit it first at the front of the device as shown in Fig. 3. Then place the keyguard in the correct position.

Once the keyguard is correctly mounted, it should be fixed with the included plastic screws.

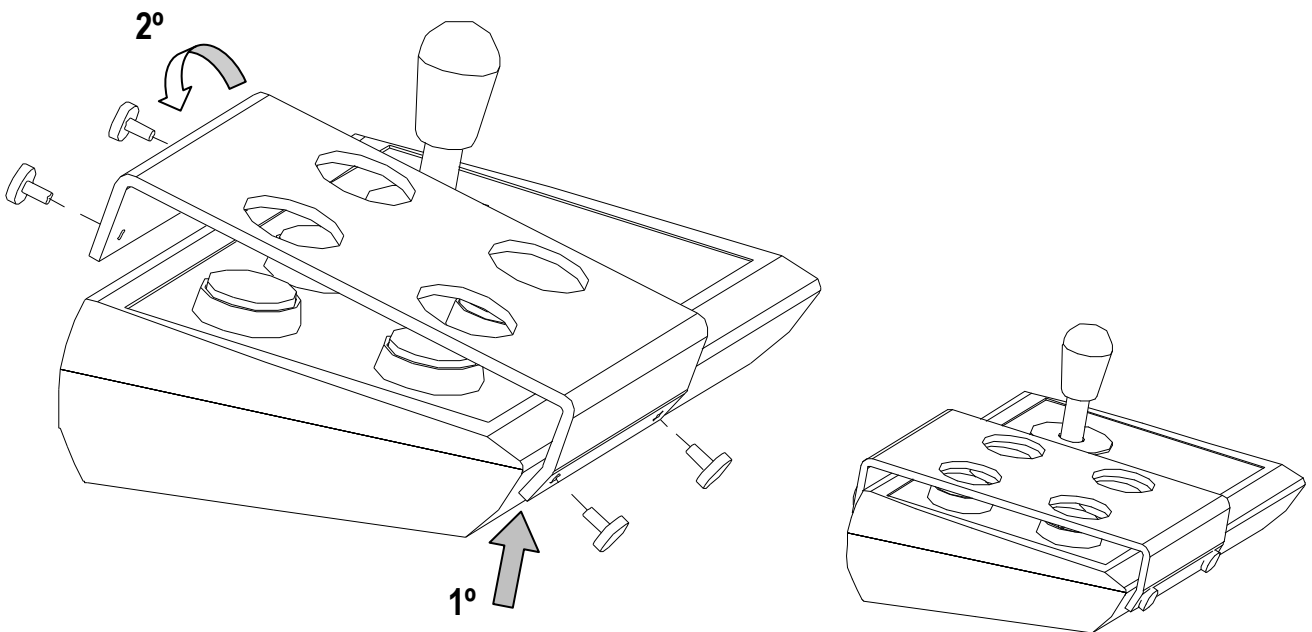


Fig. 3. Cover assembly

2.3 Changing the covers of the buttons

It is possible to change the covers and the labels of the buttons. This allows you to choose among different covers (transparent or colour ones) and change the icons used to label the buttons if desired.

To change the covers of the buttons you just have to remove them by introducing an object in the covers slot and pull towards the buttons outside. (Fig. 4)

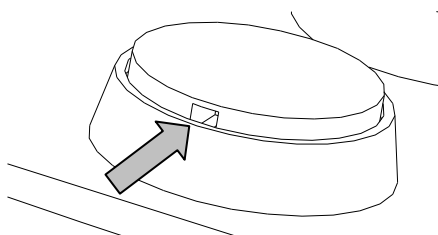


Fig. 4 Changing the button's cover

3_ How to use the BJOY Stick A mouse

To start using the BJOY Stick A mouse, it **must be connected to the computer's USB port**. Once the computer has recognised the device, you can start using the mouse.

To move the cursor you just have to move the joystick in the desired direction. When you are using the joystick, you should be aware that the speed of the cursor depends on the joystick inclination regarding the central position.

To do the clicks you have to use the large buttons on the device. Figure 2 shows the assignment by default of the buttons function. Drag and drop action is activated by pressing the button once. The action is active until you press again the button.

Take into account that both, the actions of the buttons and the movements of the cursor, can be configured using the BJOY configuration software.

4_ BJOY configuration software

The BJOY configuration software allows you to configure the mouse behavior according to the user needs.

4.1. Installation

To install the program, you must follow these steps:

- 1° Insert the CD included with the BJOY mouse in the CD-ROM drive of your computer or download the *BJOYSetup.exe* file from:

<http://www.bj-adaptaciones.com/en/products/bjoy-stick-a>

NOTE: If using the CD and your computer does not have CD-ROM, you can copy the CD contents on a USB stick or any other removable drive.

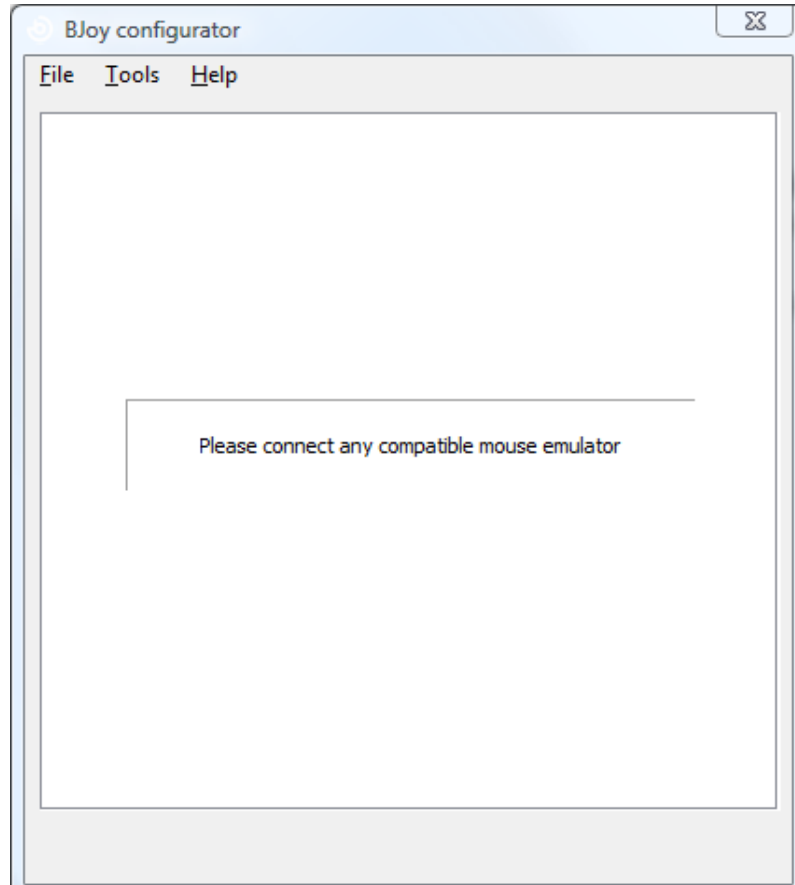
- 2° **If using the CD** the installation should begin automatically. If it does not, browse to the CD or removable drive and click on *BJOYSetup.exe* file. **If using the web page**, go to section "Downloads" and click on "BJOY Software". Save the *BJOYSetup.exe* file in your computer and double click to start installation.
- 3° When the installation begins the wizard will guide you through the process. It is recommended to close all other programs during the process. You must click "Next" to continue.
- 4° You can choose a different path for the installation file and create a shortcut to the program in the Start Menu and Desktop.
- 5° Once you have selected your installation preferences, click "Install" to install the program on your computer.
- 6° Once installation is completed, click "Finish" to exit.



4.2. Configuration

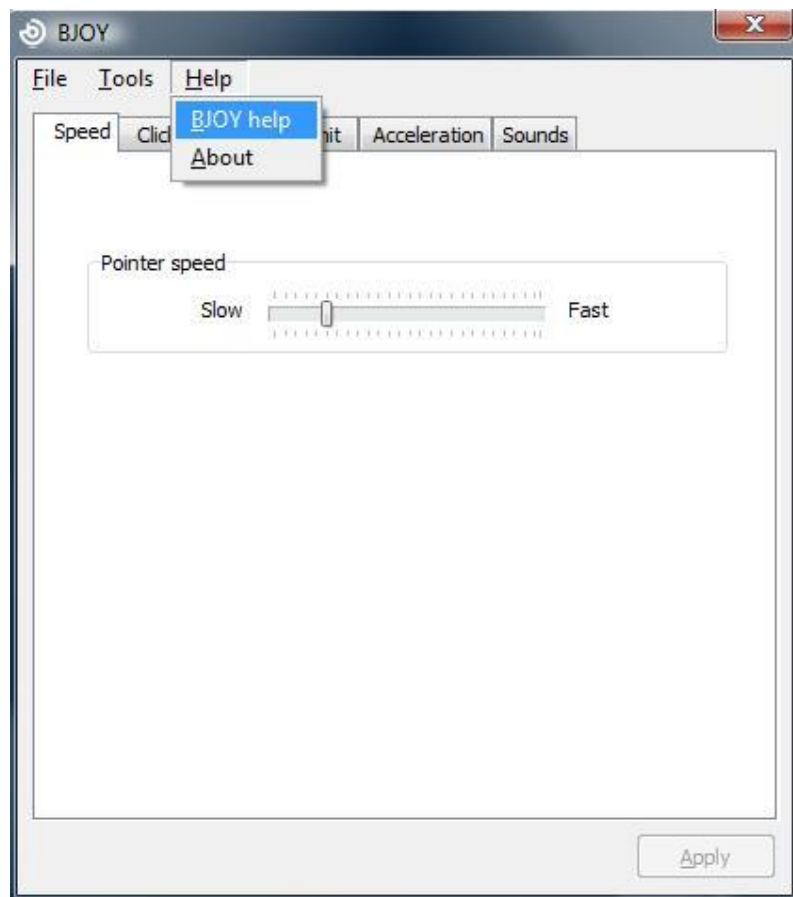
IMPORTANT: Once the software is installed in your computer, in order to access to the multiple settings options you must have a BJOY device connected to your computer.

In case you do not have any BJOY device connected, the following screen will appear:



IMPORTANT: if you want that the settings are applied to the BJOY device, click on the "Apply" button that appears at the right bottom of the window.

The instructions for using the BJOY Software are available from the "Help" menu:



4.3 Save a customize setting

To save a setting after making any customization, follow these steps:

1. Select the "File" menu
2. Select "Save Settings"
3. In the next screen, assign a name and a location to save the file. Accept making click on the "Save" button.

4.4 Loading a configuration

To reload a saved configuration in order to modify it or save it in the device, follow these steps:

1. Activate the "File" menu
2. Select "Load settings"



3. Find the file corresponding to the stored configuration (files are saved with the extension ". BJOY.") Click on the "Open" button in the same screen.

To load the configuration on the device you must click on the "Apply" button.

4.5 Language settings

To change the language of the program, just follow these steps:

1. Activate the "Tools" menu.
2. Select "Change language"
3. Choose your preferred language and validate clicking the "Accept" button.

5_Device Maintenance

For maintenance and cleaning of the device, please consider the following precautions:

- Do not connect the device to any other type of connection than USB ports.
- To connect and disconnect the device always hold the connector. Never do it pulling the cable .
- Pay special attention when you put the device in a support in order to prevent a fall or a hit.
- Avoid forcing the head hold screws.
- To clean the equipment do it with a slightly damp cloth. Do not use abrasives substances.
- Avoid liquids from entering inside the joystick box as they can seriously damage your device.
- This equipment is not designed for outdoor use.
- In case of damage do not manipulate the device.



6_Features

- Plug and Play USB device.
- Operating voltage: 5V.
- Operating current: 50mA
- Size: 290 x 220 x 160 mm.
- This product complies with European Directives 2004/108/EC, Conformity Statement available on the website indicated in this manual.

7_Disposal of the product

- At the end of the product's lifecycle neither the product nor its electronic accessories (e.g. the USB cable) can be eliminated together with other domestic waste.
- To avoid possible environmental or human harm which could be caused by uncontrolled waste disposal, separate these products from other types of waste and correctly recycle them. This will promote the sustainable reuse of material resources.
- Consumers can contact the establishment where they purchased the product or the relevant local authorities in order to obtain more information about how and where they can be ecologically and safely recycled.



